

ELECTRICAL SPECIFICATIONS:

	TRANSMIT	RECEIVE
1.0 INSERTION LOSS: (1 TO 10 MHz)	: 1.0 dB MAX.	: 1.0 dB MAX.
2.0 ATTENUATION: (5 MHz OUTPUT REF.)		
20 MHz	: 7 dB MIN.	: 5 dB MIN
25 MHz	: 18 dB MIN.	: 13 dB MIN
30 MHz	: 27 dB MIN.	: 18 dB MIN
40 MHz	: 35 dB MIN.	: 30 dB MIN
3.0 RETURN LOSS:(100 OHM LOAD REF)		
5 MHz	: 17 dB MIN	: 17 dB MIN
10 MHz	: 17 dB MIN	: 17 dB MIN
4.0 COMMON MODE ATTENUATION (TX ONLY):		
30 MHz TO 100 MHz	: 30 dB MIN	
5.0 CROSSTALK: (TRANSMIT TO RECEIVE)		
10 MHz	: 35 dB MIN.	
6.0 CUT OFF FREQUENCY: (REFERENCED FROM 5MHz)	: 17 MHz TYP.	
7.0 DIELECTRIC VOLTAGE WITHSTAND:		
(1,2,3) TO (16,15,14)	: 1500 VAC	
(6,7,8) TO (11,10,9)		

Bel Stewart Connector
 11118 Susquehanna Trail, South
 Glen Rock, Pa 17327-9199
 717.234.7512

MagJack

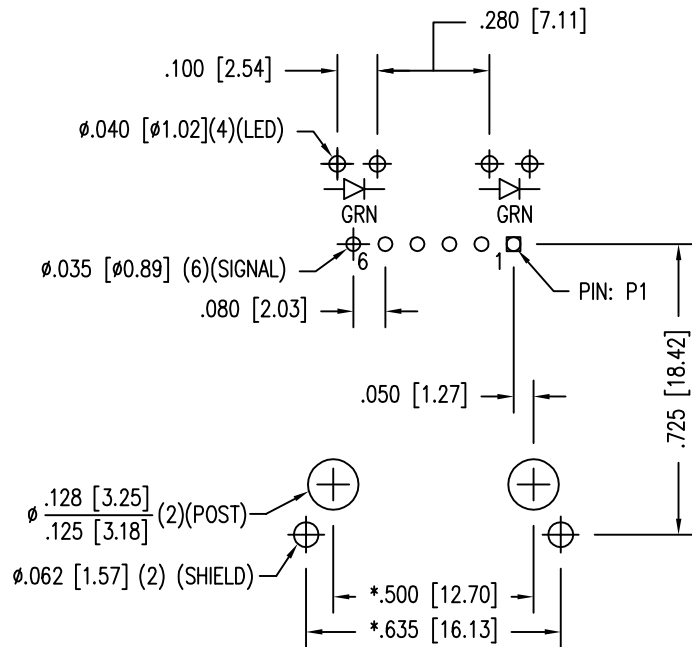
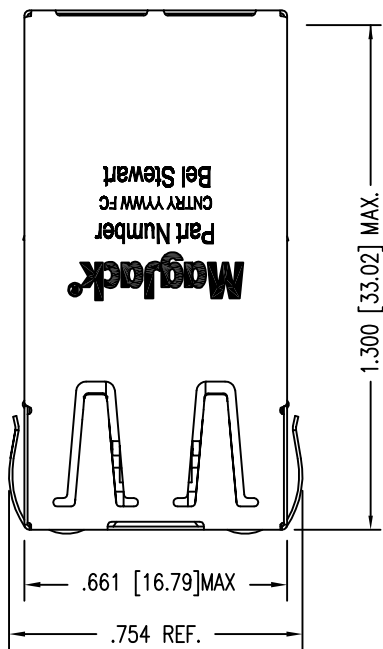
<http://www.stewartconnector.com>

THIS DRAWING AND THE SUBJECT MATTER SHOWN THEREON ARE CONFIDENTIAL AND PROPERTY OF BEL STEWART CONNECTOR AND SHALL NOT BE REPRODUCED, COPIED, OR USED IN ANY MANNER WITHOUT PRIOR WRITTEN CONTENT OF BEL STEWART CONNECTOR. THE SUBJECT MATTER MAY BE PATENTED OR A PATENT MAY BE PENDING.

SHEET
1 OF 3

DRAWING NO.

SI-50166 REV. 01



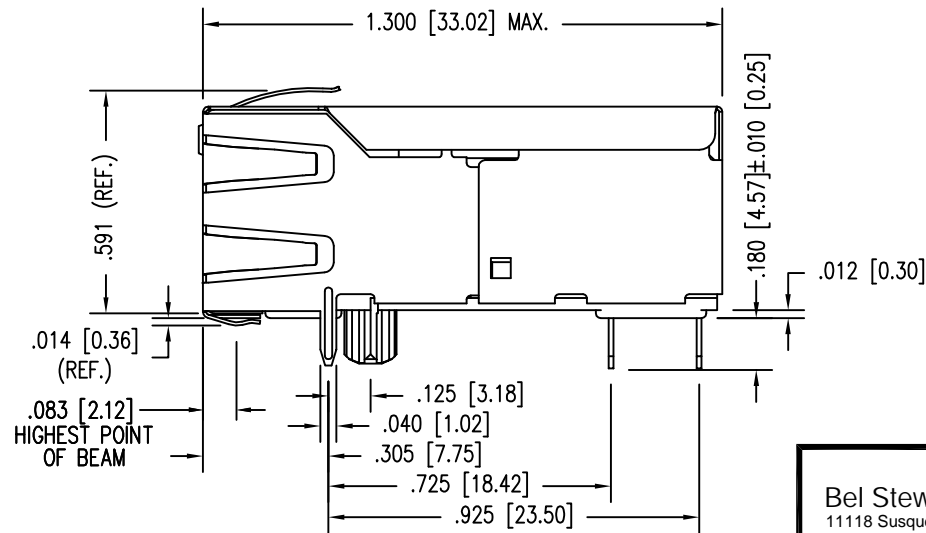
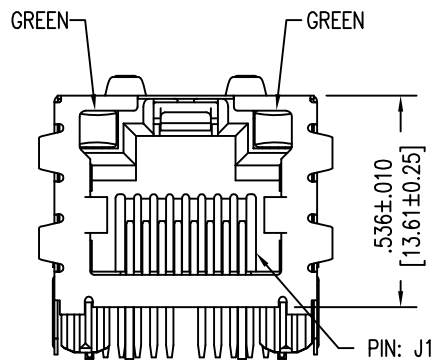
P.C.B. RECOMMENDED HOLE LAYOUT
 SEEN FROM COMPONENT SIDE
 TOLERANCE ±.003 [0.08] UNLESS OTHERWISE SPECIFIED

NOTES:

- CONNECTOR MATERIALS:
 HOUSING: THERMOPLASTIC UL94 V-0
 CONTACT/SHIELD: COPPER ALLOY
 SHIELD PLATING: NICKEL OR TIN
 CONTACT PLATING: SELECTIVE GOLD,
 50 MICRO-INCHES MIN. IN CONTACT AREA.
- PIN NOT ELECTRICALLY CONNECTED MAYBE OMITTED.
 SEE ELECTRICAL DRAWING FOR OMITTED PINS.
- TOLERANCES COMPLY WITH F.C.C. DIMENSION REQUIREMENTS.
- THE SUGGESTED PANEL OPENING IS INTENDED TO GIVE
 USER THE ABILITY TO HAVE REASONABLE JACK/PANEL
 CLEARANCES, YET MAINTAIN GROUNDING CAPABILITY.
- HIGH TEMPERATURE REFLOW COMPATABLE - 230°C/90 SEC MAX.
- INSERT FORCE: 8.5 LBS MAX.

STANDARD LED	WAVELENGTH	* Forward V (MAX)	(TYP)
GREEN	565 nm	2.5 V	2.2 V

* WITH A FORWARD CURRENT OF 20 mA



24-0274

Bel Stewart Connector
 11118 Susquehanna Trail, South
 Glen Rock, Pa 17327-9199
 717.234.7512

MagJack

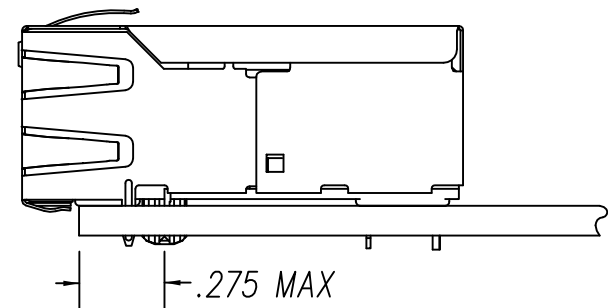
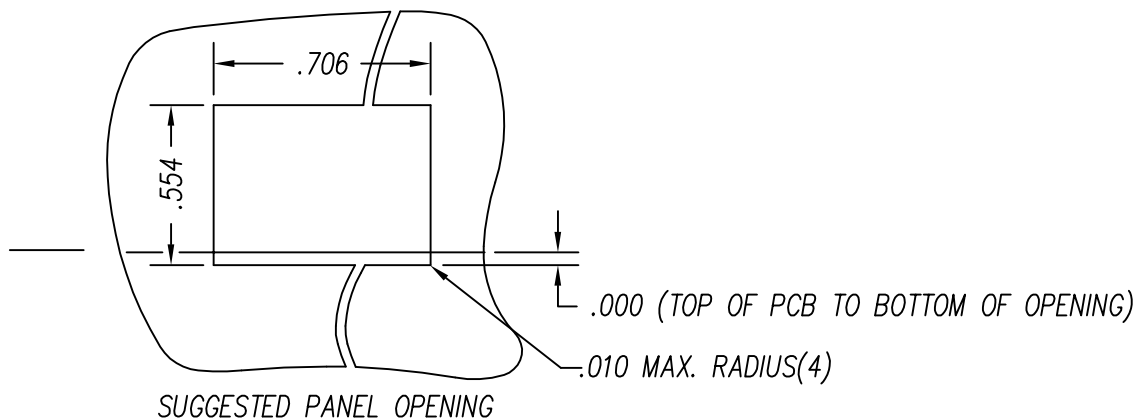
<http://www.stewartconnector.com>

THIS DRAWING AND THE SUBJECT MATTER SHOWN THEREON ARE CONFIDENTIAL AND PROPERTY OF BEL STEWART CONNECTOR AND SHALL NOT BE REPRODUCED, COPIED, OR USED IN ANY MANNER WITHOUT PRIOR WRITTEN CONTENT OF BEL STEWART CONNECTOR. THE SUBJECT MATTER MAY BE PATENTED OR A PATENT MAY BE PENDING.

SHEET
2 OF 3

DRAWING NO.

SI-50166 REV. 02



THE SUGGESTED PANEL OPENING IS INTENDED TO GIVE THE USER THE ABILITY TO HAVE REASONABLE JACK / PANEL CLEARANCES YET MAINTAIN RELIABLE GROUNDING CAPABILITY.

24-0274

THIS DRAWING AND THE SUBJECT MATTER SHOWN THEREON ARE CONFIDENTIAL AND PROPERTY OF BEL STEWART CONNECTOR AND SHALL NOT BE REPRODUCED, COPIED, OR USED IN ANY MANNER WITHOUT PRIOR WRITTEN CONTENT OF BEL STEWART CONNECTOR. THE SUBJECT MATTER MAY BE PATENTED OR A PATENT MAY BE PENDING.

Bel Stewart Connector
11118 Susquehanna Trail, South
Glen Rock, Pa 17327-9199
717.234.7512

MagJack

<http://www.stewartconnector.com>

SHEET
3 OF 3

DRAWING NO.

SI-50166 REV. 02