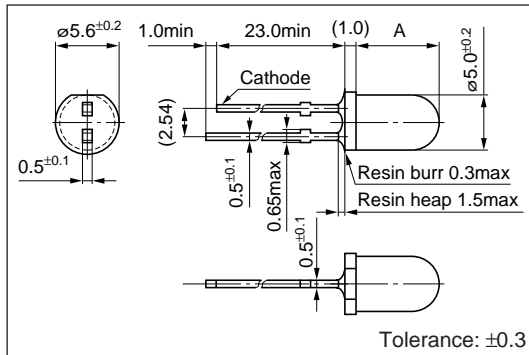


5 ϕ Round Infrared LED

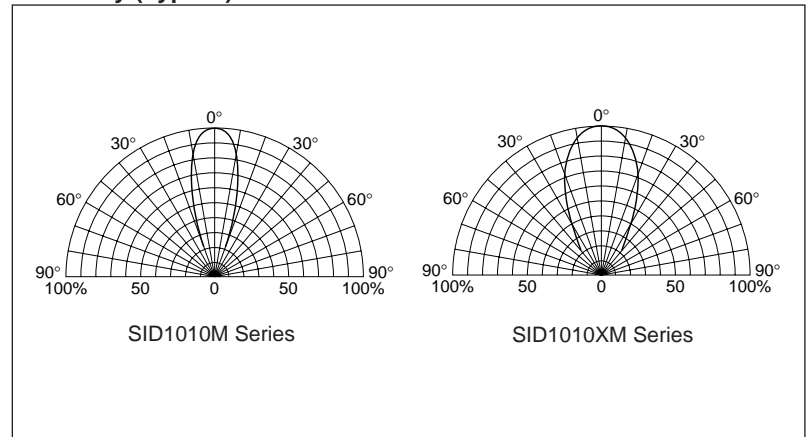
SID1010M Series

External Dimensions

(Unit: mm)



Directivity (Typical)



Absolute maximum ratings (Ta=25°C)

Symbol	Unit	Rating	Condition
I _F	mA	150	
ΔI _F	mA/°C	-1.33	Above 25°C
I _{FP}	mA	1000	f=1kHz, tw≤10μs
V _R	V	5	
Top	°C	-30 to +85	
Tstg	°C	-30 to +100	

Electrical Optical characteristics (Ta=25°C)

Part Number	Lens color	Forward voltage		Reverse current		Optical Power		Peak wavelength		Spectrum half width		Chip material	Dimension A (mm)	
		V _F (V)		I _R (μA)	Condition V _R (V)	I _e (mW/sr)	Condition	λ _P (nm)	Condition I _F (mA)	Δλ (nm)	Condition I _F (mA)			
		typ	max	max		typ		typ		typ				
SID1010CM	Clear	1.3	1.5	50	10	5	130	(Constant voltage) V _{CC} =3V R=2.2Ω	940	50	50	50	GaAs	7.6 ±0.2
SID1K10CM	Clear	1.3	1.5	50	10	5	200		940	50	50	50		
SID1010CXM	Clear	1.3	1.5	50	10	5	60		940	50	50	50		
SID1K10CXM	Clear	1.3	1.5	50	10	5	110		940	50	50	50		6.9 ±0.2