

Slide and Rotary Encoder Switches SIQ Series

FEATURES

1. Small mount area.(11.1×10).
2. Rotary encoder is 15 detents.
3. By the composite with a rotary encoder and slide switch, compound operation of three directions is possible.
4. Example of rotary encoder+slide switch use.
It can be used as a function key called menu selection+determination.
5. The mounting height to the operation dial in a set state is 4mm. and thin shape-ized realization.(Operation dial can be customized.)
6. SMT type and reflow-soldering for surface mounting.

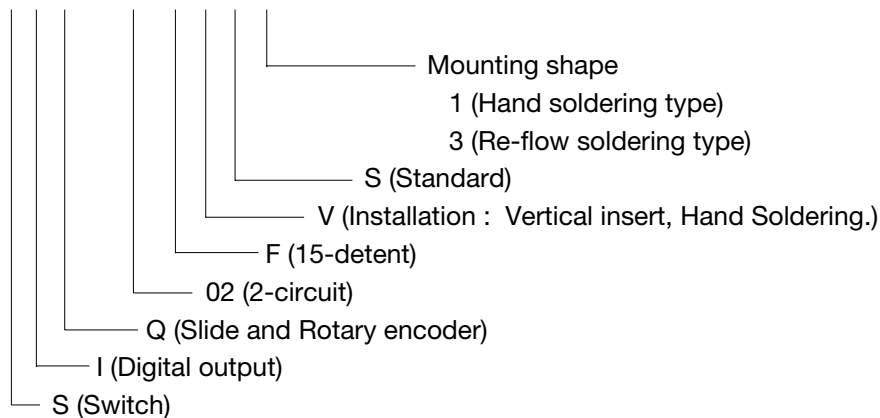


USES

1. A compound control switch for the machine which is portable besides that the CD-MD player, PDA, digital still camera.

MODEL NAME CODE

SIQ - 02 F V S 1



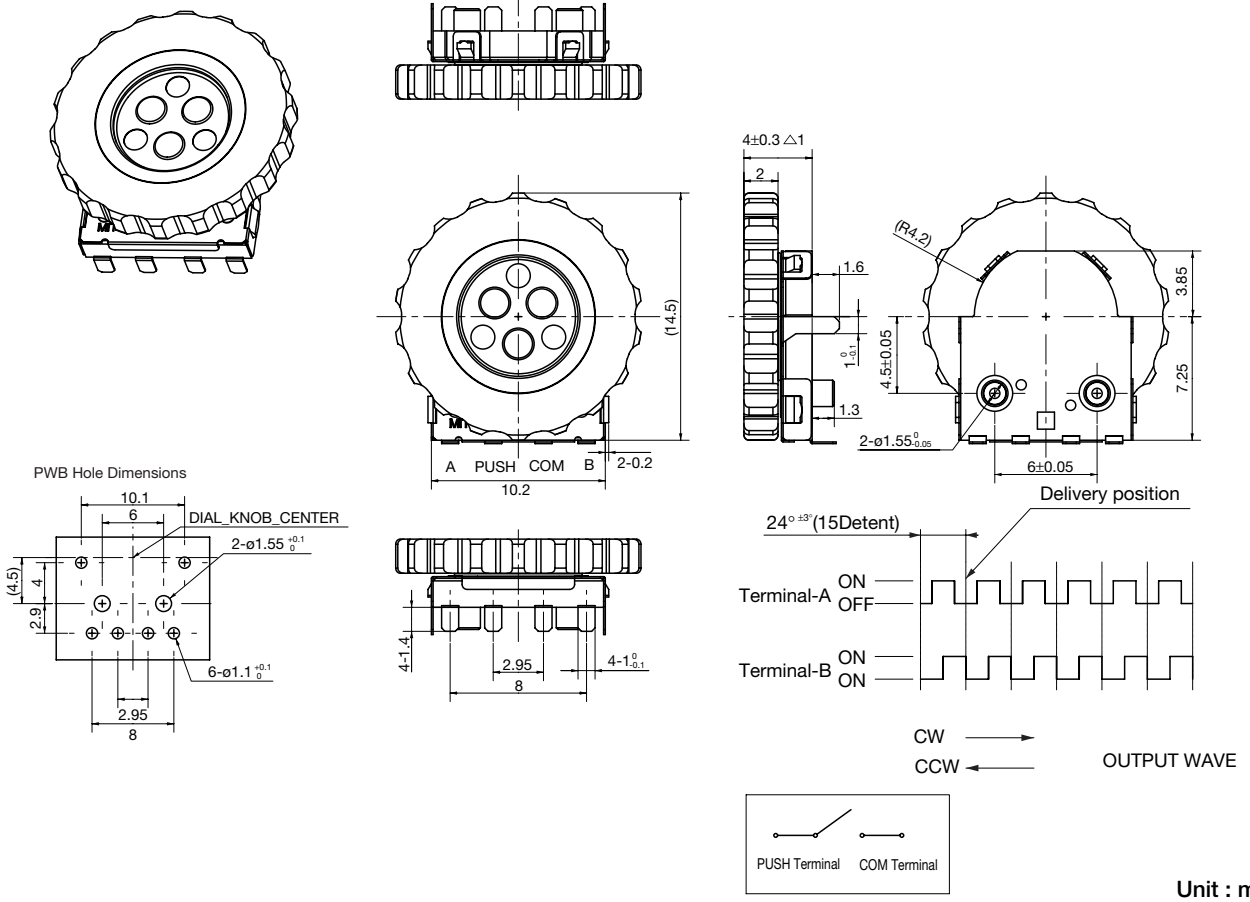
TYPE

Model Name Code	Order Number	No. of Detent	Rotational Torque	Pcs
SIQ-02FVS1	R66 6288	15	5mN · m (49gf · cm) or less	250
SIQ-02FVS3	R66 6557	15	5mN · m (49gf · cm) or less	500

SPECIFICATIONS

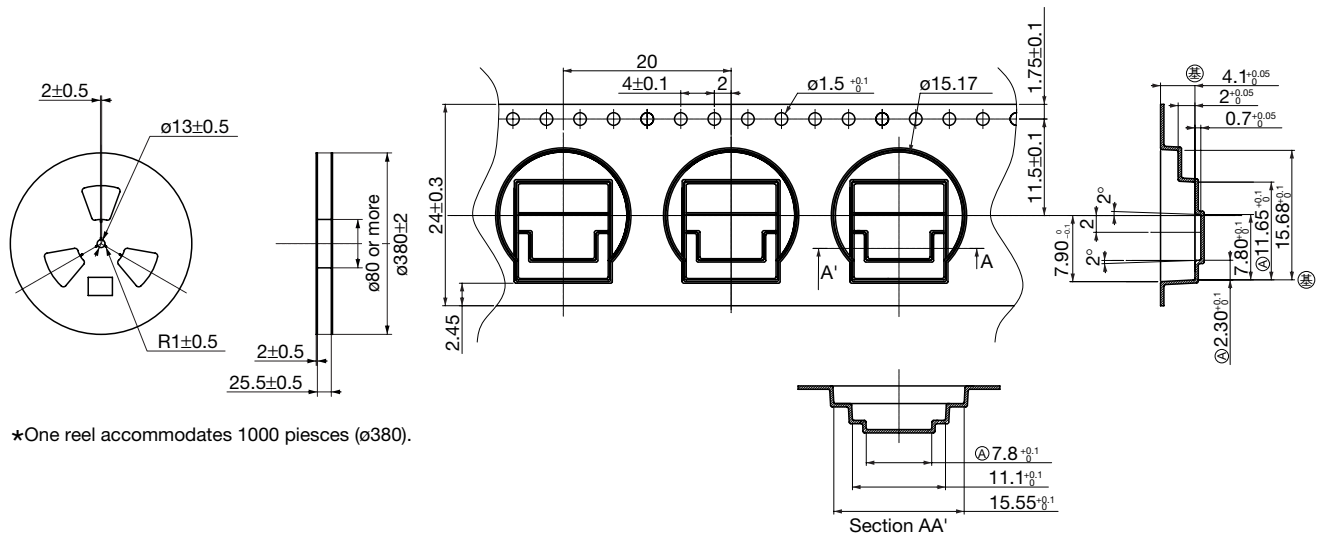
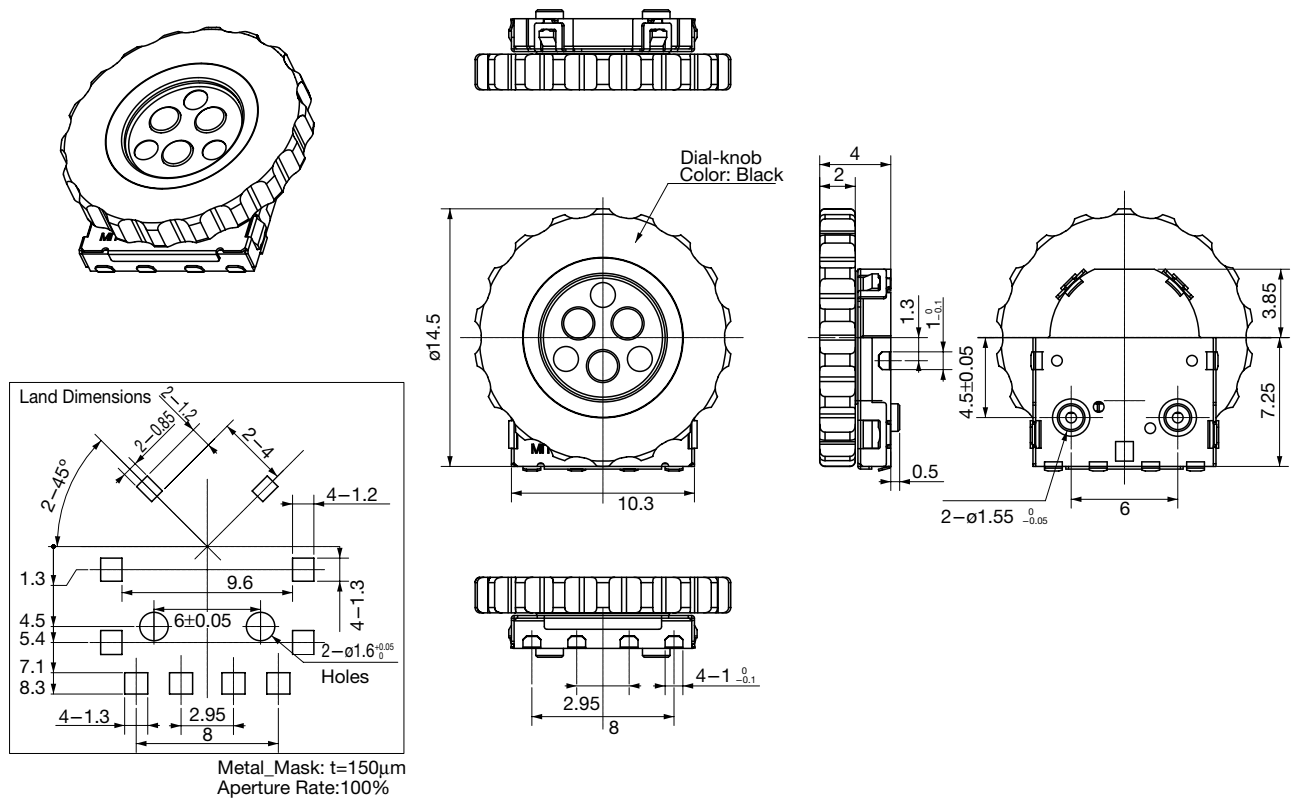
Electrical Characteristics	Rating	0.5mA, 5V DC
	Contact Resistance	1Ω or less
	Insulation Resistance	10MΩ or more
	Withstand Voltage	1 minute at 50V AC
Mechanical Characteristics	Operating Force	3~6N (Part Slide)
	Rotational Torque	5mN · m (49gf · cm) or less (Part Rotary encoder)
	Life	50,000 cycles (Part Slide) 50,000 cycles (Part Rotary encoder)

DIMENSIONS



Push switch Circuit Diagram

SIQ-02FVS1



*One reel accommodates 1000 pieces ($\phi 380$).

Unit : mm

SIQ-02FVS3