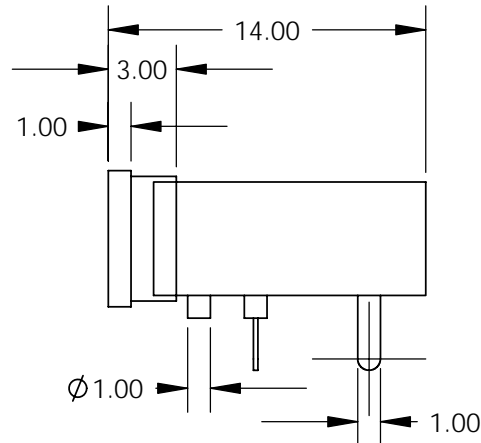
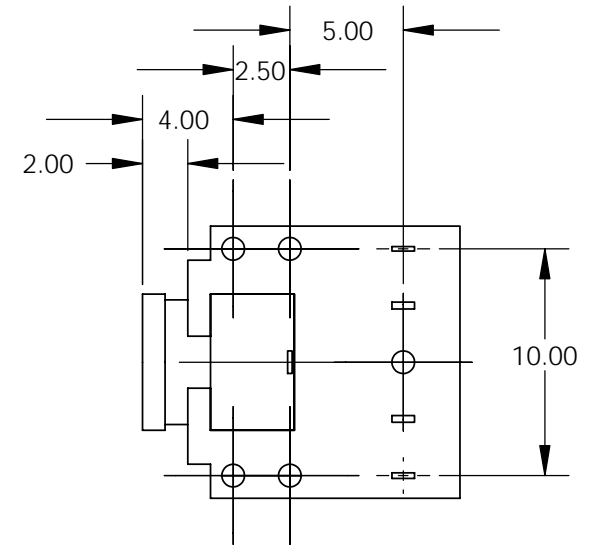


FRONT VIEW



SIDE VIEW



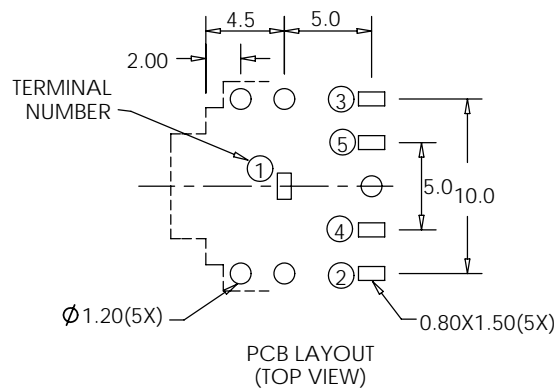
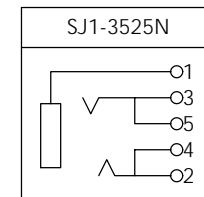
BOTTOM VIEW

SPECIFICATIONS

1. Contact resistance: 100 m Ohms or less under all conditions, including after life testing.
2. Insulation resistance: 100 M Ohms or greater at 500 Vdc.
3. Dielectric withstand voltage: 500 Vac RMS for 1 minute.
4. Endurance: 5,000 cycles per minute.
5. Operating temperature: -25°C to 85°C.

MATERIALS

- Terminal 1: copper alloy
- Terminal 2: copper alloy
- Terminal 3: copper alloy
- Terminal 4: brass
- Terminal 5: brass
- Bushing: brass
- Housing: PBT



PCB LAYOUT (TOP VIEW)



CUI INC

9615 SW Allen, Suite 103
 Beaverton, OR 97005
 Phone: (503) 643-4899
 800-275-4899
 Fax: (503) 372-1266
 Website: www.cui.com

TITLE: 3.5MM RIGHT ANGLE STEREO JACK		
PART NO. SJ1-3525N		UNITS: MM
DRAWN BY: TBD	APPROVED BY:	SCALE: NONE