



# Obsolescence Notice

This product is obsolete.

This information is available for your convenience only.

For more information on Zarlink's obsolete products and replacement product lists, please visit

[http://products.zarlink.com/obsolete\\_products/](http://products.zarlink.com/obsolete_products/)

# SL6649-1

## 200MHz DIRECT CONVERSION FSK DATA RECEIVER

The SL6649-1 is a low power direct conversion radio receiver for the reception of frequency shift keyed transmissions. It features the capability of 'power down' for battery conservation.

The device also includes a low battery flag indicator.

### FEATURES

- Very Low Power Operation - typ. 3.7mW
- Single Cell Operation with External Inverter
- Complete Radio Receiver in One Package
- Operation up to 200MHz
- 100nV Typical Sensitivity
- Operates up to 1200 BPS
- On Chip Tunable Active Filters
- Minimum External Component Count
- Low Power Down Current Typical 5µA

### APPLICATIONS

- Low Power Radio Data Receiver
- Wristwatch Credit Card Pager
- Radio Paging
- Ultrasonic Direction Indication
- Security Systems
- Remote Control Systems

### ABSOLUTE MAXIMUM RATINGS

Supply Voltage	6V
Storage Temperature	-55°C to +150°C
Operating Temperature	-20°C to +70°C

### ORDERING INFORMATION

- SL6649-1/KG/MPES - Small outline (MP28) supplied in tubes  
 SL6649-1/KG/MPEF - Small outline (MP28) supplied in tape & reel

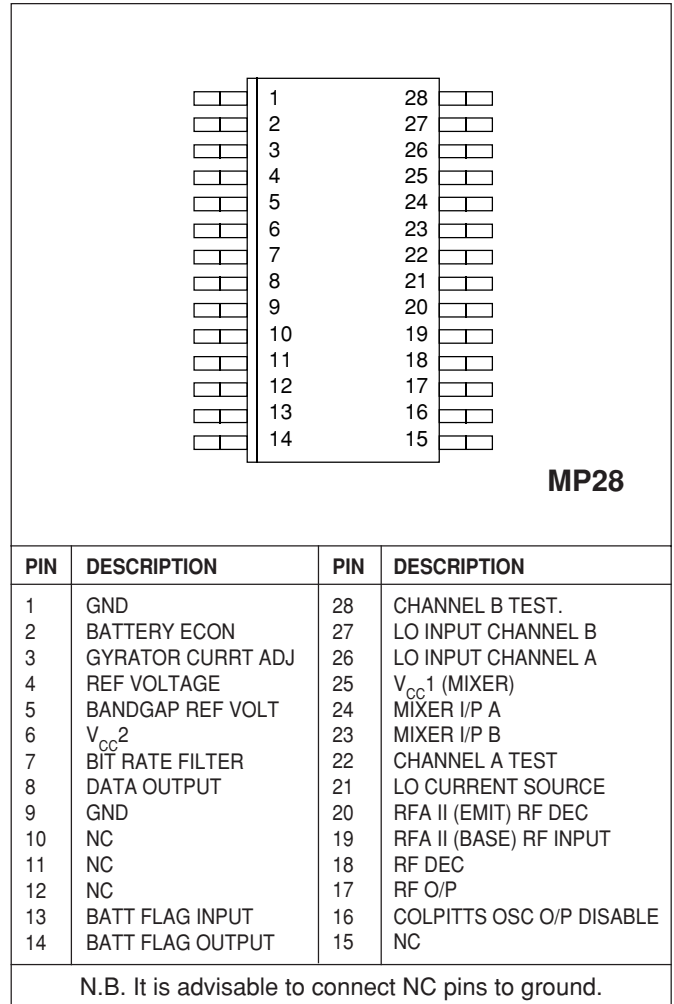


Figure 1: Pin Connections - Top View

# SL6649-1

## ELECTRICAL CHARACTERISTICS

These characteristics are guaranteed over the following conditions (unless otherwise stated).

$$T_{amb} = 25^{\circ}\text{C}, V_{CC1} = 2.5\text{V}, V_{CC2} = 3.5\text{V}$$

Characteristic	Pin	Value			Units	Conditions
		Min	Typ	Max		
Supply Voltage $V_{CC1}$	25	$V_R$	1.3	2.8	V	$V_{CC1} \leq (V_{CC2}) - 0.7$
Supply Voltage $V_{CC2}$	6,16	1.8	2.3	3.5	V	
Supply Current $I_{CC1}$	17, 25, 26, 27		1.6	2.0	mA	$(I_{RF})$ Included
Supply Current $I_{CC2}$	6,16		0.65	0.80	mA	
Power Down $I_{CC1}$	17, 21, 25, 26, 27		5	12	$\mu\text{A}$	Batt Econ Low
Power Down $I_{CC2}$	6,16		3	12	$\mu\text{A}$	Batt Econ Low
Bandgap Reference	5	1.15	1.22	1.35	V	
Voltage Reference	4	0.93	1.0	1.13	V	
<b>RF Amplifier</b>						
Supply Current ( $I_{RF}$ )	17	430	535	640	$\mu\text{A}$	
Power Down	17				$\mu\text{A}$	Included in Power Down $I_{CC1}$
<b>Mixers</b>						
Gain to "IF Test"		32		38	dB	L.O. inputs driven in parallel with 50mV RMS @ 50MHz. IF = 2kHz
<b>Oscillator</b>						
Current Source	21	215	270	330	$\mu\text{A}$	
Power Down	21				$\mu\text{A}$	Included in Power Down $I_{CC1}$
<b>Decoder</b>						
Sensitivity				40	$\mu\text{Vrms}$	Signal injected at "IF TEST" B.E.R. $\leq 1$ in 30 5kHz deviation @ 500 bits/sec BRF capacitor = 1nF
Output Mark Space Ratio	8	7:9		9:7		
Output Logic High	8	85			$\%V_{CC2}$	
Output Logic Low				15	$\%V_{CC2}$	
<b>Battery Economy</b>						
Input Logic High	2	$(V_{CC2}) - 0.3$			V	Powered Up
Input Logic Low	2			0.3	V	Powered Down
Input Current			0.05	1	$\mu\text{A}$	
<b>Battery Flag</b>						
Output High Level	14	85			$\%V_{CC2}$	Battery Low $R_L > 1\text{M}\Omega$
Output Low Level	14			15	$\%V_{CC2}$	Battery High $R_L > 1\text{M}\Omega$
Flag trig Level	13	$V_R - 25\text{mV}$		$V_R + 25\text{mV}$	V	Voltage Reference ( $V_R$ ) pin 4
<b>Colpitts Oscillator</b>						
Frequency		15			kHz	R=90K, pin 3 to GND
				15	kHz	R=360K, pin 3 to GND

**TYPICAL ELECTRICAL CHARACTERISTICS**

These characteristics are guaranteed by design.  
 $T_{amb} = 25^{\circ}\text{C}$ ,  $V_{CC1} = 2.5\text{V}$ ,  $V_{CC2} = 3.5\text{V}$

Characteristic	Pin	Value			Units	Conditions
		Min	Typ	Max		
<b>RF Amplifier</b>						
Noise Figure			5.5		dB	RS = 50Ω
Power Gain			14		dB	
Input Impedance	19					See Fig. 8
<b>Mixer</b>						
RF Input Impedance	23, 24					See Figs. 9 (a) and (b)
LO Input Impedance	26, 27					See Fig. 10
LO DC Bias Voltage	26, 27				V	Equal to pin 25
<b>Detector</b>						
Output Current	7		±4		μA	
<b>Colpitts Oscillator</b>						
Frequency	16		15		kHz	R = 270K, Pin 3 to GND
Output Voltage	16		20		mVp-p	$R_L \gg 1\text{M}\Omega$ N.B. Refer to Channel Filter Fig. 4

**RECEIVER CHARACTERISTICS (GPS DEMONSTRATION BOARD)**

**Measurement conditions (unless otherwise stated):** Applications circuit diagram Fig.6;  $V_{CC1} = 1.3\text{V}$ ;  $V_{CC2} = 2.3\text{V}$ ;  $T_{amb} = 25^{\circ}\text{C}$ ; Colpitts oscillator resistor = 270kΩ; mixer input A and B phase balance = 180°; local oscillator input A and B phase balance = 90°. Measurement methods as described by CEPT Res 2 specification.  $F_{IN} = 153\text{MHz}$  (512 baud).

Characteristic	Value			Units	Conditions
	Min	Typ	Max		
Terminal Sensitivity Tone only 4/5 call reception		-127	-124	dBm	$\Delta f = 4.5\text{kHz}$ , $R_S = 50\Omega$
Deviation Acceptance		±2.5		kHz	3dB De-Sensitisation. $F_{IN} = F_{LO}$
Centre Frequency Acceptance	±2.0	±2.5		kHz	$\Delta f = 4.5\text{kHz}$
Adjacent Channel Rejection	65	70		dB	} $\Delta f = 4.5\text{kHz}$ Channel Spacing 25kHz External capacitors on test pins A and B.
Adjacent + 1 Channel Rejection	65	70		dB	
Third Order Intermod adj-1 + adj-2	52	53		dB	

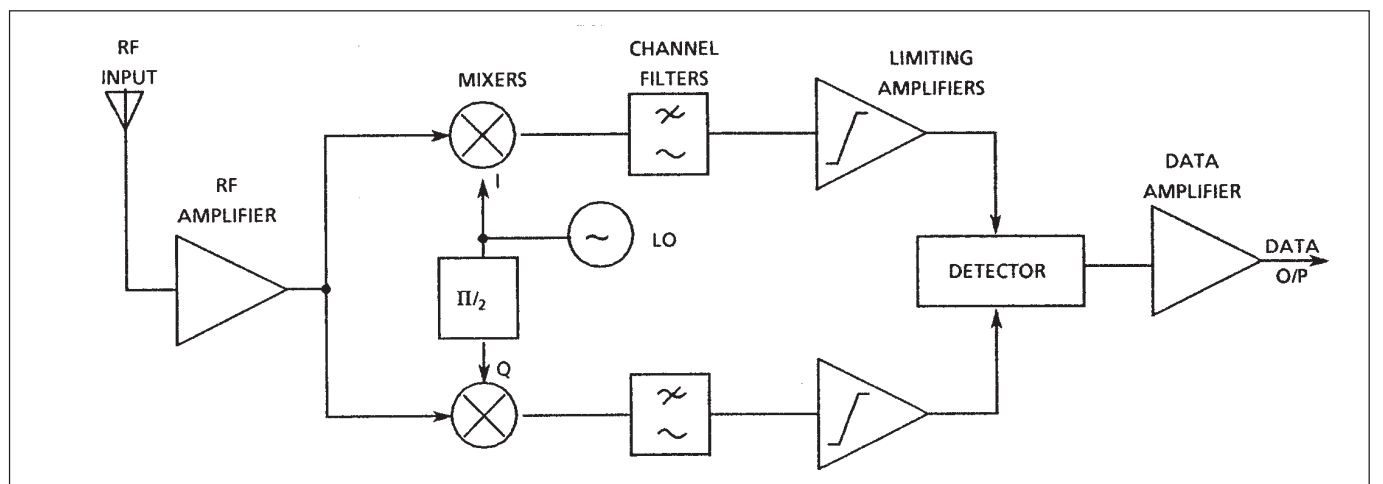


Figure 2: Block Diagram of SL6649-1 Direct Conversion Receiver

**PRINCIPLE OF OPERATION**

The incoming signal is split into two parts and frequency converted to baseband. The two paths are produced in phase quadrature (see Fig 2) and detected in a phase detector which provides a digital output. The quadrature network must be in the local oscillator path.

At a data rate of 512 baud and a deviation frequency of 4.5kHz, the input to the system has a demodulation index of 18. This gives a spectrum as in Fig 3.  $f_1$  and  $f_0$  represent the 'steady state' frequencies (i.e. modulated with continuous '1' and '0' respectively). The spectrum in Fig 3 is for reversals (a 0-1-0-1-0-1 etc. pattern) at the system bit rate;  $f_c$  is the nominal carrier frequency).

When the LO is at the nominal carrier frequency, then a continuous '0' or '1' will produce an audio frequency, at the output of the mixers corresponding to the difference between  $f_0$  and  $f_c$  or  $f_1$  and  $f_c$ . If the LO is precisely at  $f_c$ , then the resultant output signal will be at the same frequency regardless of the data state; nevertheless, the relative phases of the two paths will reverse between '0' and '1' states. By applying the amplified outputs of the mixers to a phase discriminator, the digital data is reproduced.

**TUNING THE CHANNEL FILTERS**

The adjacent channel rejection performance of the SL6649-1 receiver is determined by the channel filters. To obtain optimum adjacent channel rejection, the channel filters' cut off frequency should be set to 8kHz. The process tolerances are such that the cut off frequency cannot be accurately defined, hence the channel filters must be tuned. However the receiver characteristics on the previous page can be achieved with a fixed 270kΩ resistor between pin 3 and GND.

Tuning is performed by adjusting the current in the gyrator circuits. This changes the values of the gyrator's equivalent inductance. The cut off frequency is tuned to 8kHz. To accurately define the cut off of the channel filters, a gyrator based Colpitts oscillator circuit has been included on the SL6649-1. The Colpitts oscillator and channel filters use the same type of architecture, hence there is a direct correlation between oscillator frequency and cut off frequency. By knowing the Colpitts oscillator frequency the channel filter cut off frequency can be estimated from Figure 4.

Once the channel filters have been tuned it may be necessary to disable the Colpitts oscillator. The Colpitts oscillator is disabled by connecting the Colpitts oscillator output/disable pin (pin # 16) to  $V_{CC2}$ . This is needed since the Colpitts oscillator may impair the performance of the receiver.

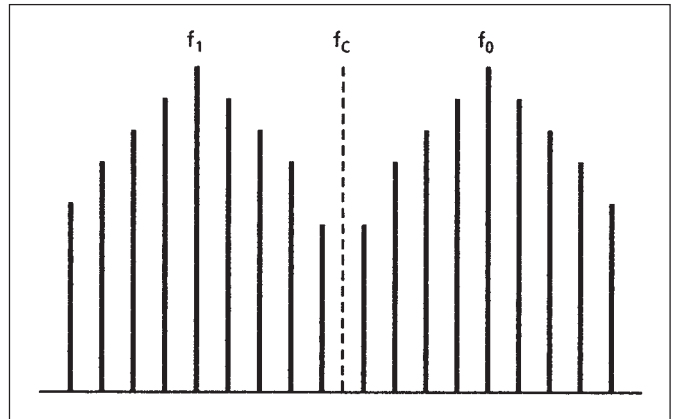


Figure 3: Spectrum Diagram

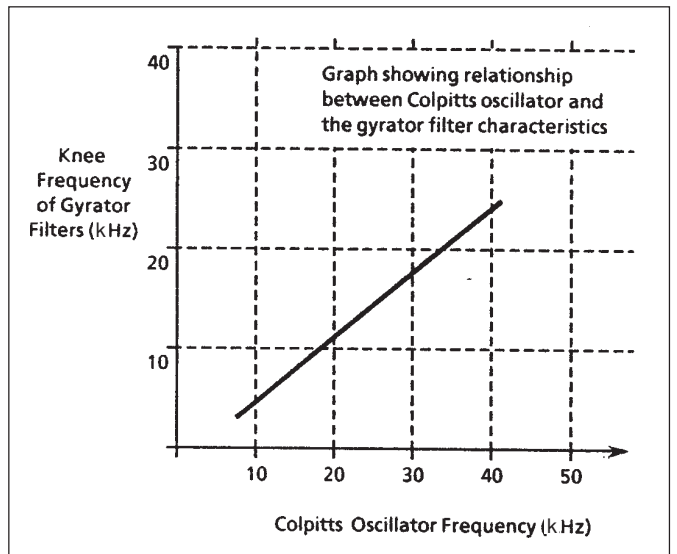


Figure 4

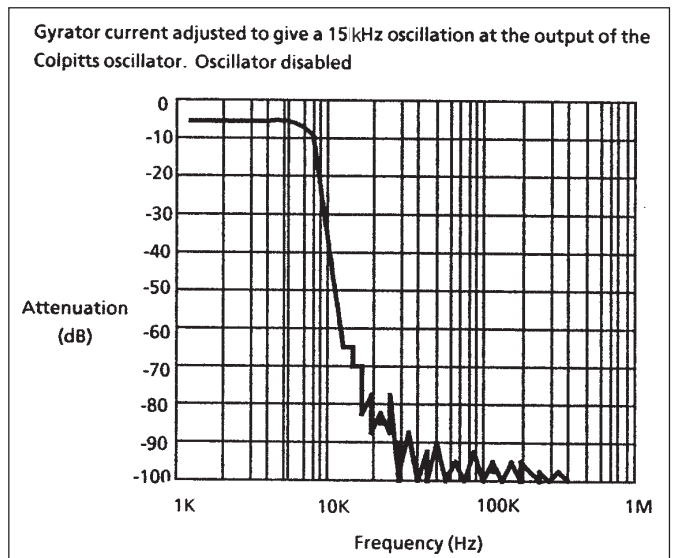


Figure 5: Channel Filter Response

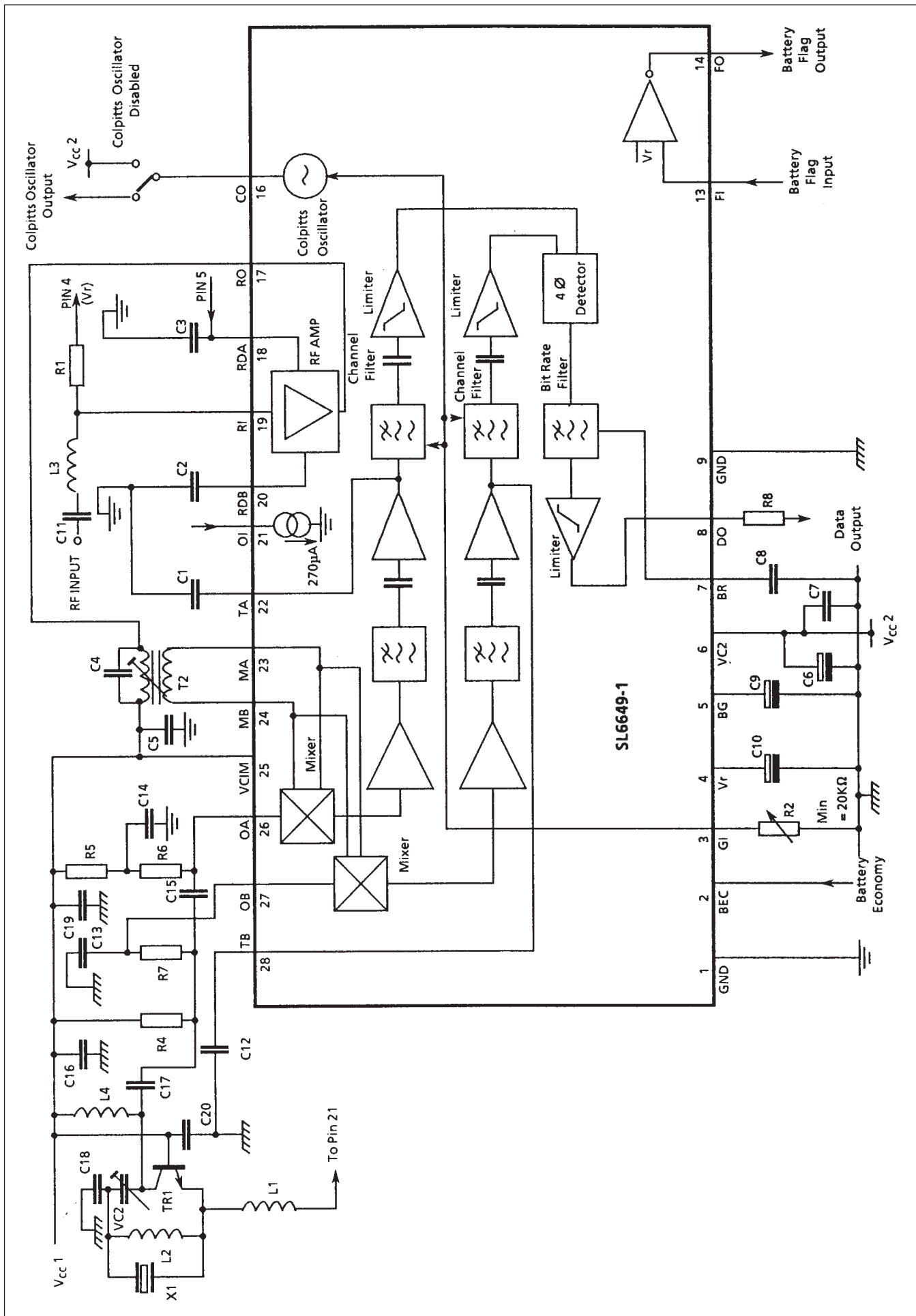


Figure 6: Block Diagram and Applications Circuit (for component values see next page)

COMPONENTS LIST FOR FIGURE 6

Capacitors		Resistors		Inductors		Transformers		Miscellaneous	
C1	1nF	C11	1nF	R1	2.2kΩ	L1	10μH	T1	1:1 Transformer Primary/Secondary Inductance=200nH
C2	1nF	C12	1nF	R2	500kΩ Variable	L2	220nH	IC1	SL6649-1
C3	1nF	C13	10pF	R4	100Ω	L3	150nH	TR1	SOT-23 Transistor with $f_T \geq 1.3\text{GHz}$ (EG. ZETEX BFS 17)
C4	5.6pF	C14	1nF	R5	100Ω	L4	100nH	X1	153MHz 7th overtone crystal
C5	1nF	C15	10pF	R6	100Ω			VC2	1.5-10pF
C6	2.2μF	C16	1nF	R7	100Ω				
C7	1nF	C17	5.6pF	R8	100KΩ				
C8	1nF	C18	4.7pF						
C9	2.2μF	C19	1nF						
C10	2.2μF	C20	1nF						

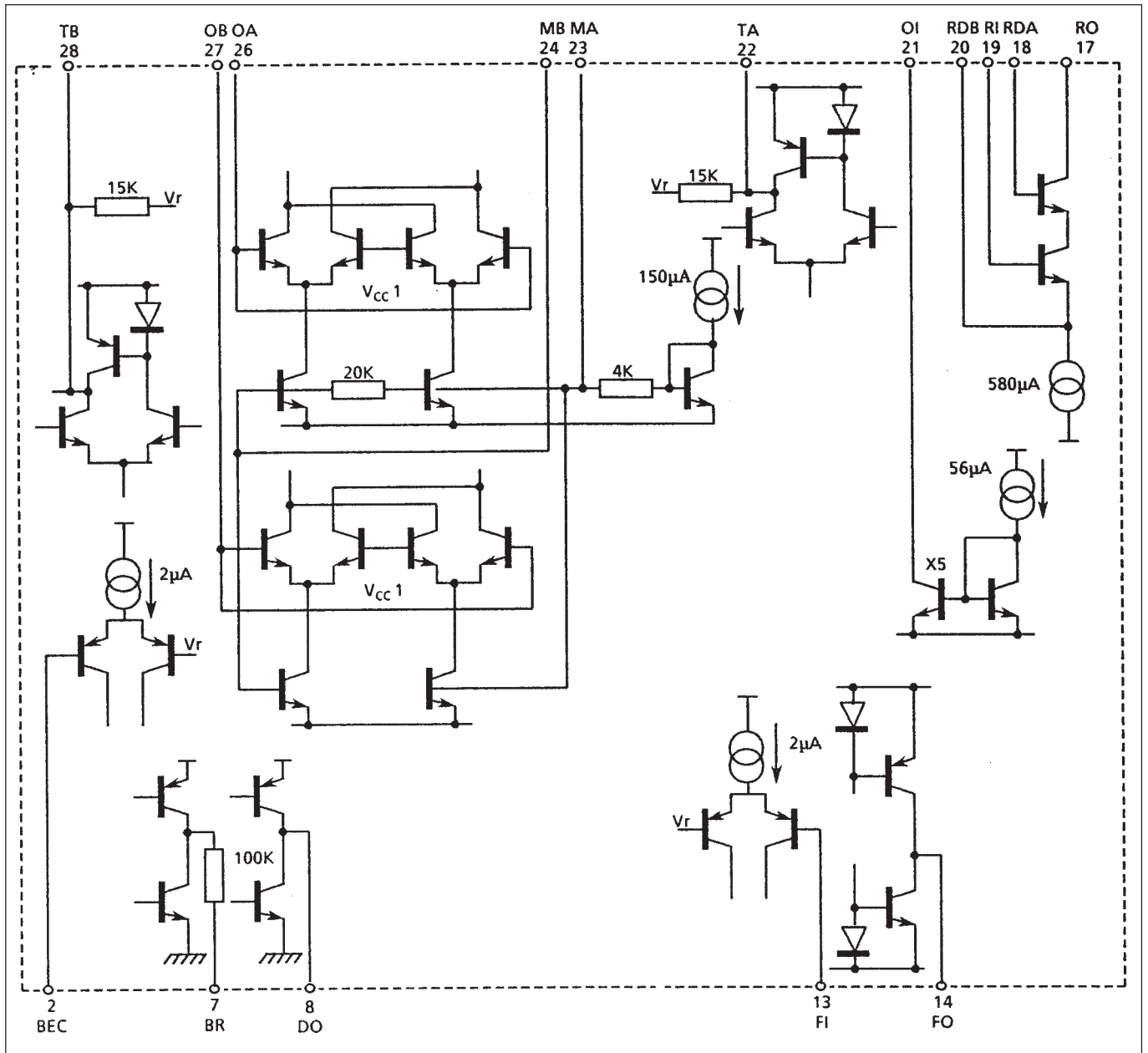
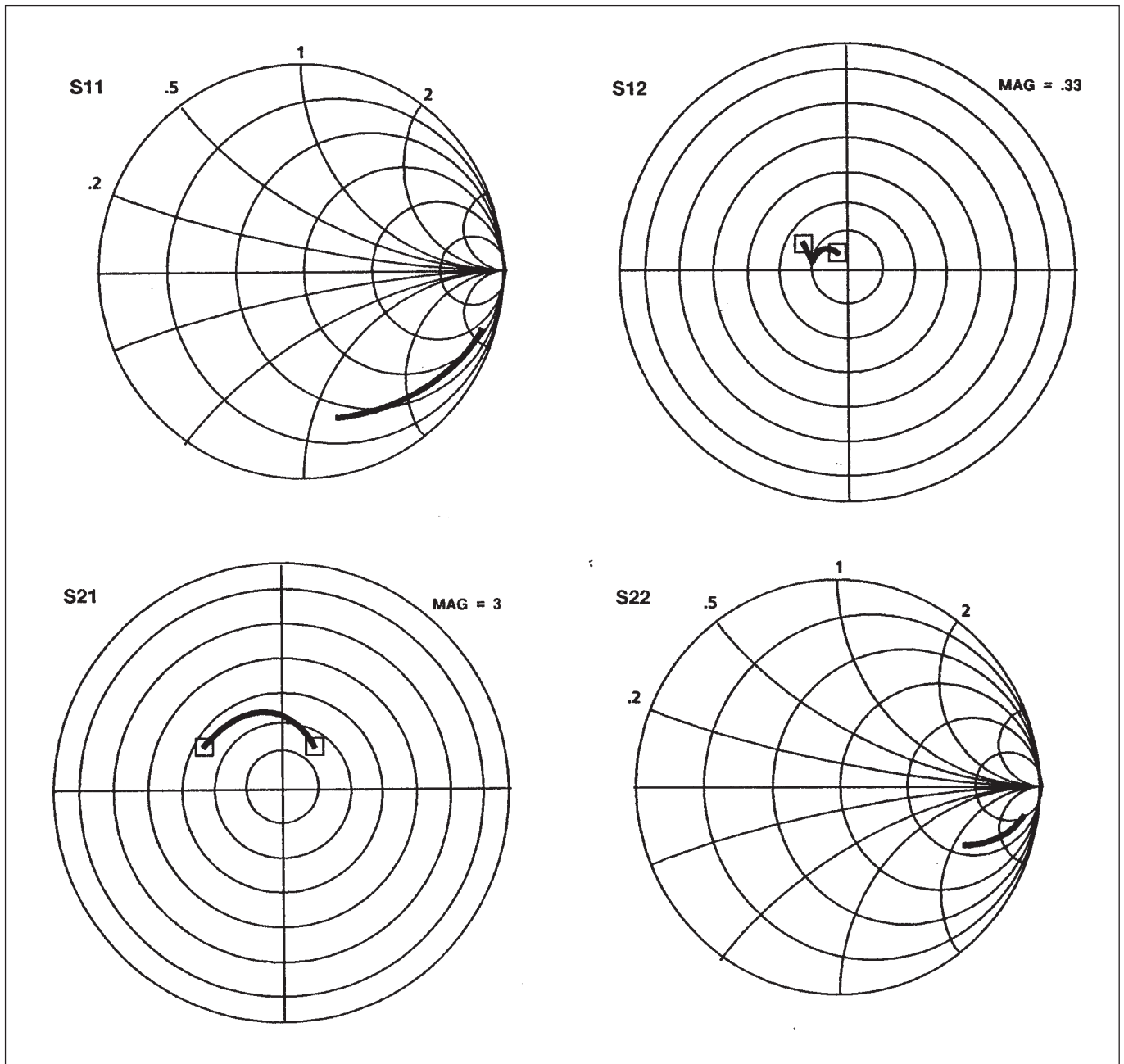


Figure 7: Pinning Diagram of the SL6649-1



FREQ	S11		S12		S22		S21	
	MAG.	ANG.	MAG.	ANG.	MAG.	ANG.	MAG.	ANG.
100.000	0.963	-15.971	0.016	120.281	1.036	-3.440	1.460	157.948
150.000	0.949	-21.603	0.017	121.732	0.991	-5.524	1.390	142.732
200.000	0.934	-27.247	0.017	123.174	0.946	-7.608	1.321	127.508
250.000	0.906	-33.835	0.021	124.612	0.938	-10.156	1.261	115.531
300.000	0.876	-40.519	0.025	126.042	0.934	-12.744	1.201	103.830
350.000	0.846	-45.789	0.029	139.335	0.925	-14.380	1.132	95.446
400.000	0.816	-50.979	0.032	153.381	0.915	-15.955	1.061	87.270
450.000	0.781	-58.616	0.039	163.051	0.872	-18.015	0.986	78.111
500.000	0.746	-66.363	0.045	172.537	0.827	-20.094	0.910	68.910
550.000	0.700	-72.624	0.062	165.197	0.771	-19.691	0.854	65.157
600.000	0.655	-78.856	0.079	157.518	0.716	-19.231	0.798	61.518

Figure 8: RF Amplifier



# SL6649-1

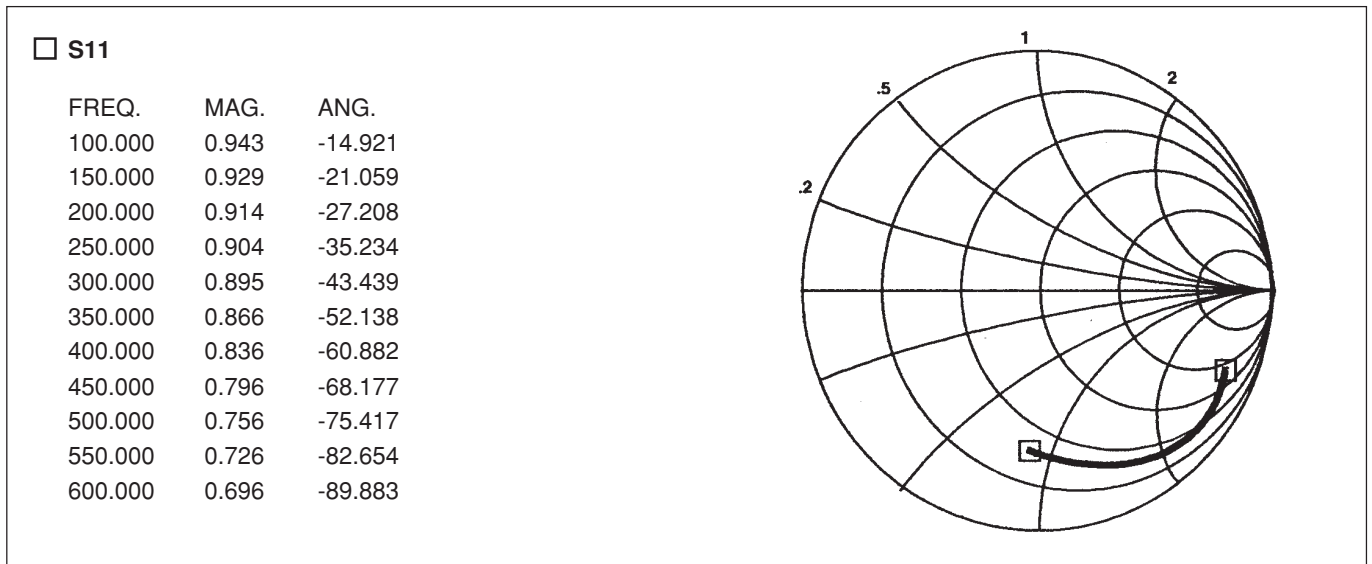


Figure 9a: SL6649-1 Mixer RF input pin 23

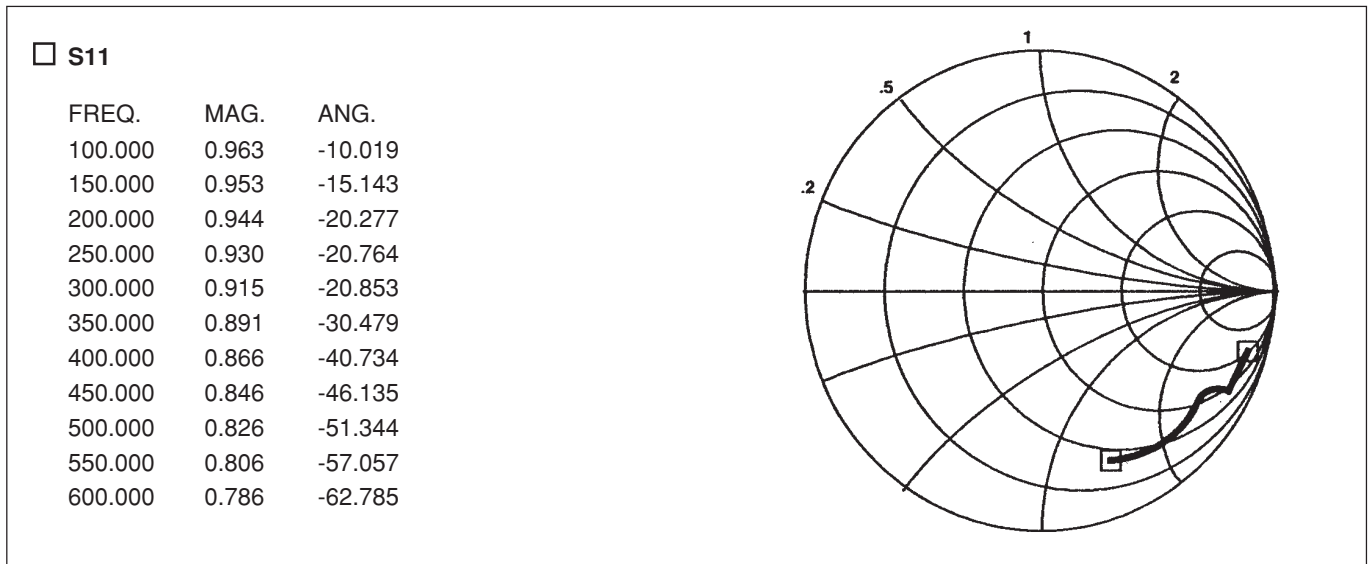


Figure 9b: SL6649-1 Mixer RF input pin 24

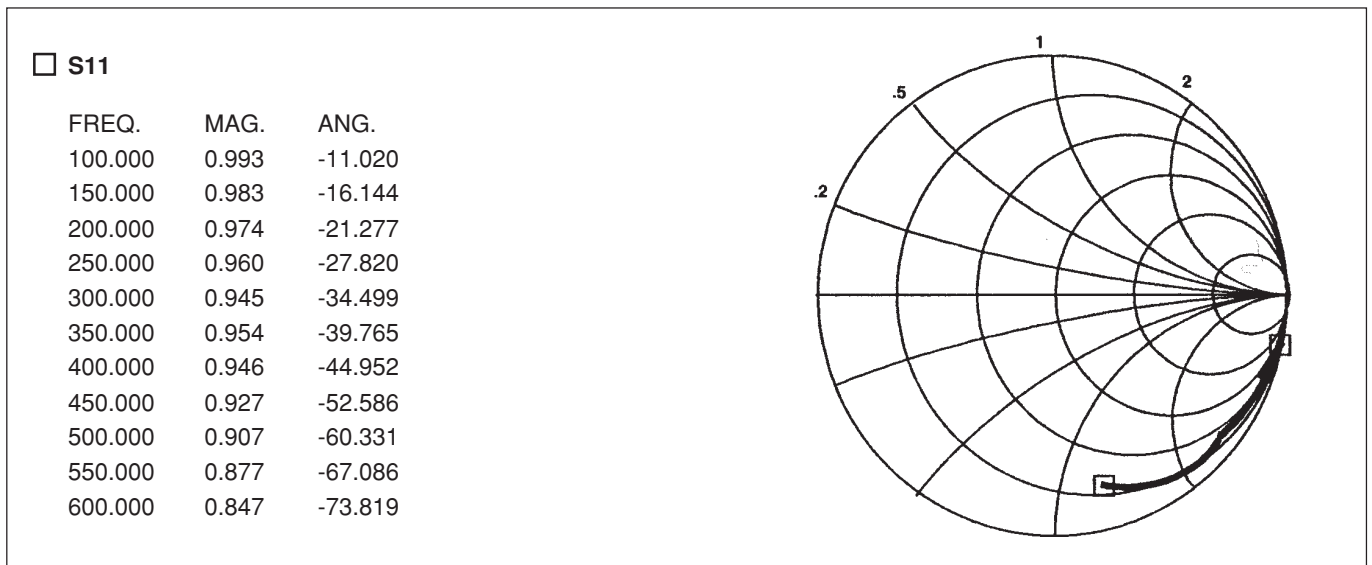


Figure 10: SL6649-1 Mixer LO input pins 26 and 27

## METHOD FOR THE MEASUREMENT OF SENSITIVITY ON THE SL6649-1 RECEIVER

The method used by GEC Plessey Semiconductors in the measurement of terminal sensitivity is essentially the same as that described in the CEPT Res 2 Specification.

This method requires the following equipment:

1. A signal generator e.g. HP8640
2. A pocsag encoder
3. A pocsag decoder e.g. MV6639
4. An SL6649-1 Demo Board.
5. An interference free low impedance P.S.U. ( $V_{CC1}$  and  $V_{CC2}$  must be separate supplies and there must be at least 0.7V difference between them). Recommended supply configurations are shown in Fig. 13.

The test equipment and D.U.T. are set up as shown in Figure 11.

The R.F. frequency is set to the nominal L.O. frequency of the receiver and the peak deviation is set to 4.5kHz.

Care must be taken to avoid long power supply leads and any ground loops. Any interference from the decoder will be reduced by the insertion of a high value resistor R1 (100K $\Omega$ ) between the receiver data output and the decoder input.

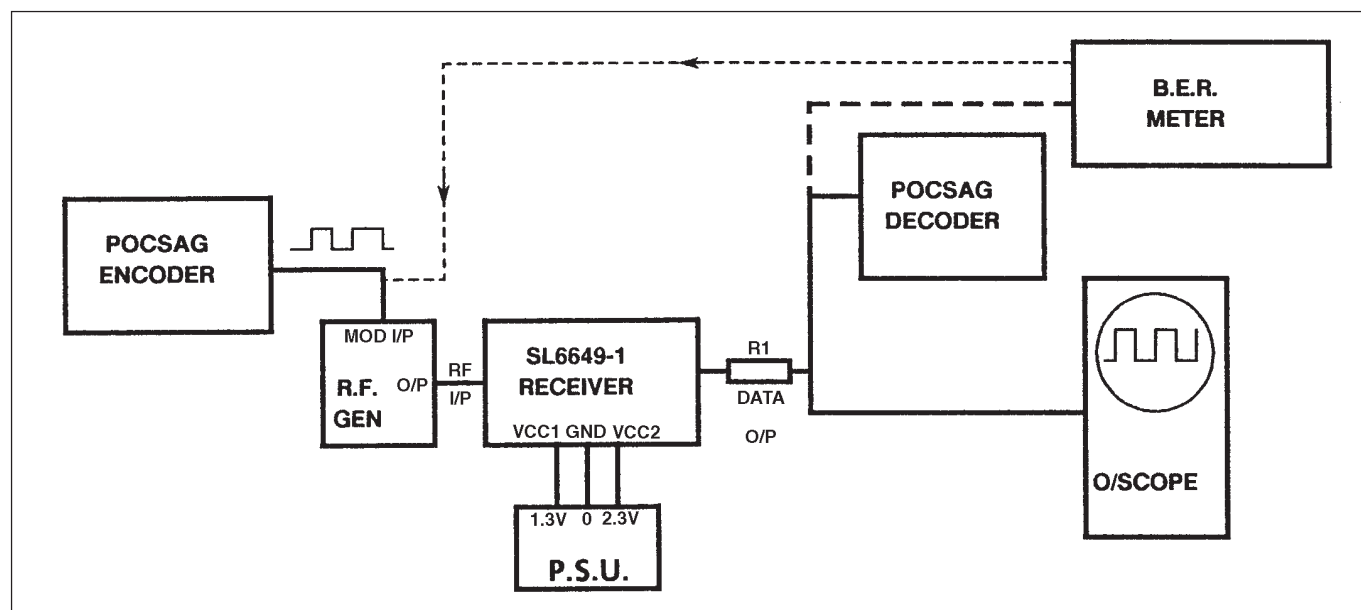


Figure 11: Test System

The generator output level is reduced successively until the decoder responds just 4 out of 5 times to the encoder signal. This output level is then recorded as the sensitivity threshold of the receiver.

We find that this threshold correlates to a bit error rate of 1 in 30. The data output waveforms for an input level which produces a B.E.R. of 1 in 30 and for input levels 2dB above and below this level, are shown below (square wave input). It can be seen that the edge jitter increases dramatically at signal levels below the sensitivity threshold of -127dBm. Typical waveforms that can be seen on an oscilloscope around the sensitivity threshold level are shown in Figure 12.

NB. In performing the sensitivity measurement great care should be taken in preventing coupling between test leads.

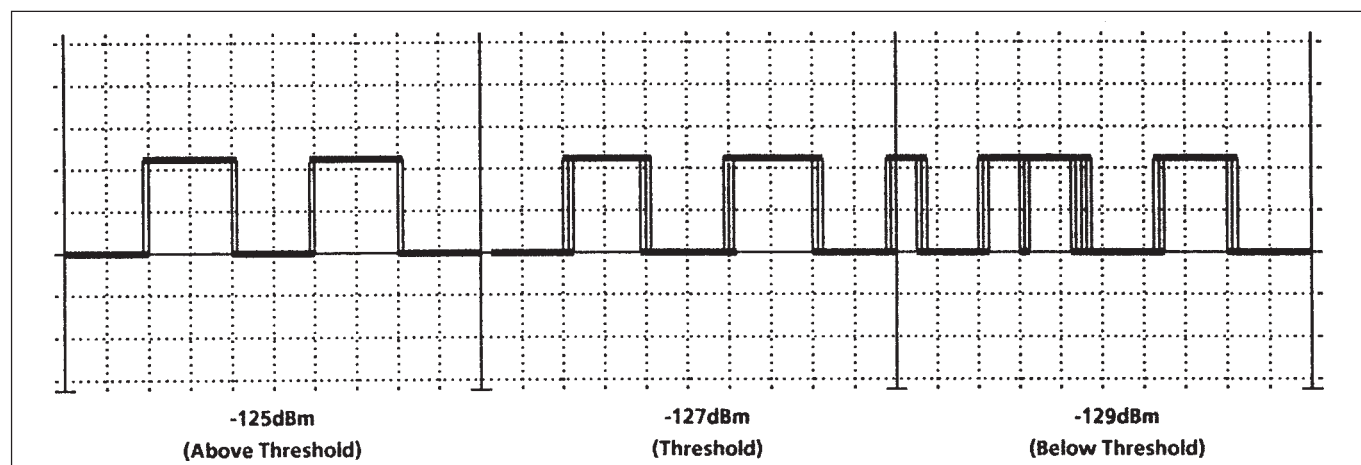


Figure 12: Waveform at Data O/P

# SL6649-1

PIN	MNEMONIC	FUNCTION
1	GND	Ground
2	BEC	Battery Economy
3	GI	Gyrator Current Adjust
4	Vr	Reference Voltage
5	BG	Bandgap Reference Voltage
6	Vc2	$V_{CC2}$
7	BR	Bit rate Filter
8	DO	Data Output
9	GND	Ground
10		UNC
11		UNC
12		UNC
13	FI	Battery Flag Input
14	FO	Battery Flag Output

PIN	MNEMONIC	FUNCTION
15		UNC
16	CO	Colpitts Oscillator Output/Disable
17	RO	RFA I (collector) RF Output
18	RDA	RFA I (base) RF Decouple
19	RI	RFA II (base) RF Input
20	RDB	RFA II (emitter) RF Decouple
21	OI	LO Current Source
22	TA	Channel A Test
23	MA	Mixer I/P B
24	MB	Mixer I/P A
25	VCIM	$V_{CC1}$ (mixer)
26	OA	LO Input Channel A
27	OB	LO Input Channel B
28	TB	Channel B Test

## POWER SUPPLIES

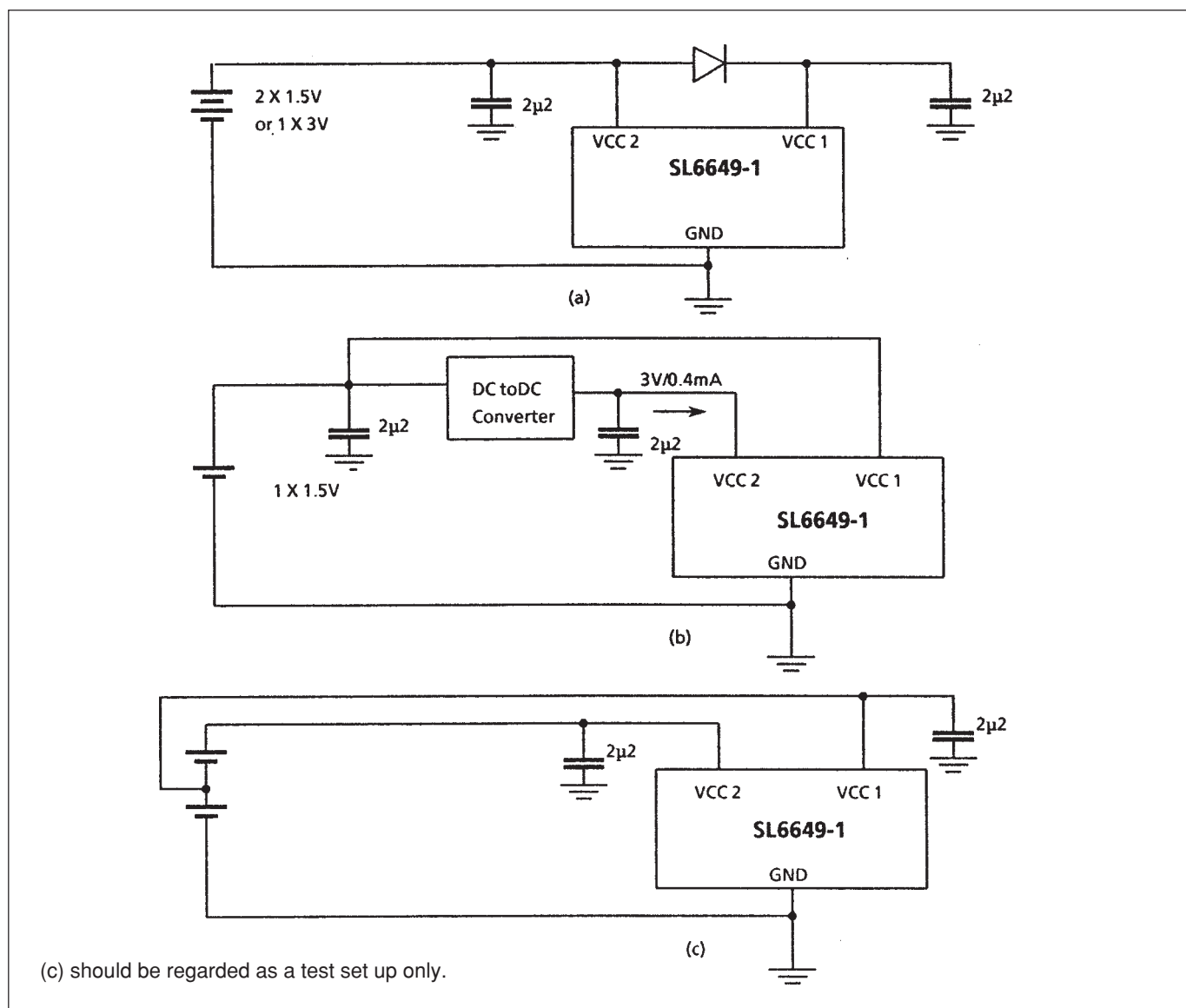


Figure 13(a): SL6649-1 Power Supply Options

## PAGER APPLICATION EXAMPLE

A typical 1 volt pager system suitable as a wrist watch application is shown in Figure 13 (b). Only 3 integrated circuits are required to perform all the functions of a tone only pager. These are SL6649-1 direct conversion radio receiver and the MV6639 POCSAG decoder plus a 1 volt E<sup>2</sup>PROM (eg. Seiko Epson SPM28C51).

The SL6649-1 receives and demodulates the data, and monitors the battery voltage. The interface between the decoder and receiver consists of only 3 connections excluding the supplies.

The MV6639 performs all the functions required for a POCSAG decoder for tone only and/or pager messaging at 512 or 1200 baud. A 32kHz watch crystal is used as the reference frequency for the decoder.

The decoder voltage doubler output  $V_{CC2}$  is available to power not only the receiver, but an alternative higher voltage E<sup>2</sup>PROM and microprocessor/LCD driver for a full tone and message pager.

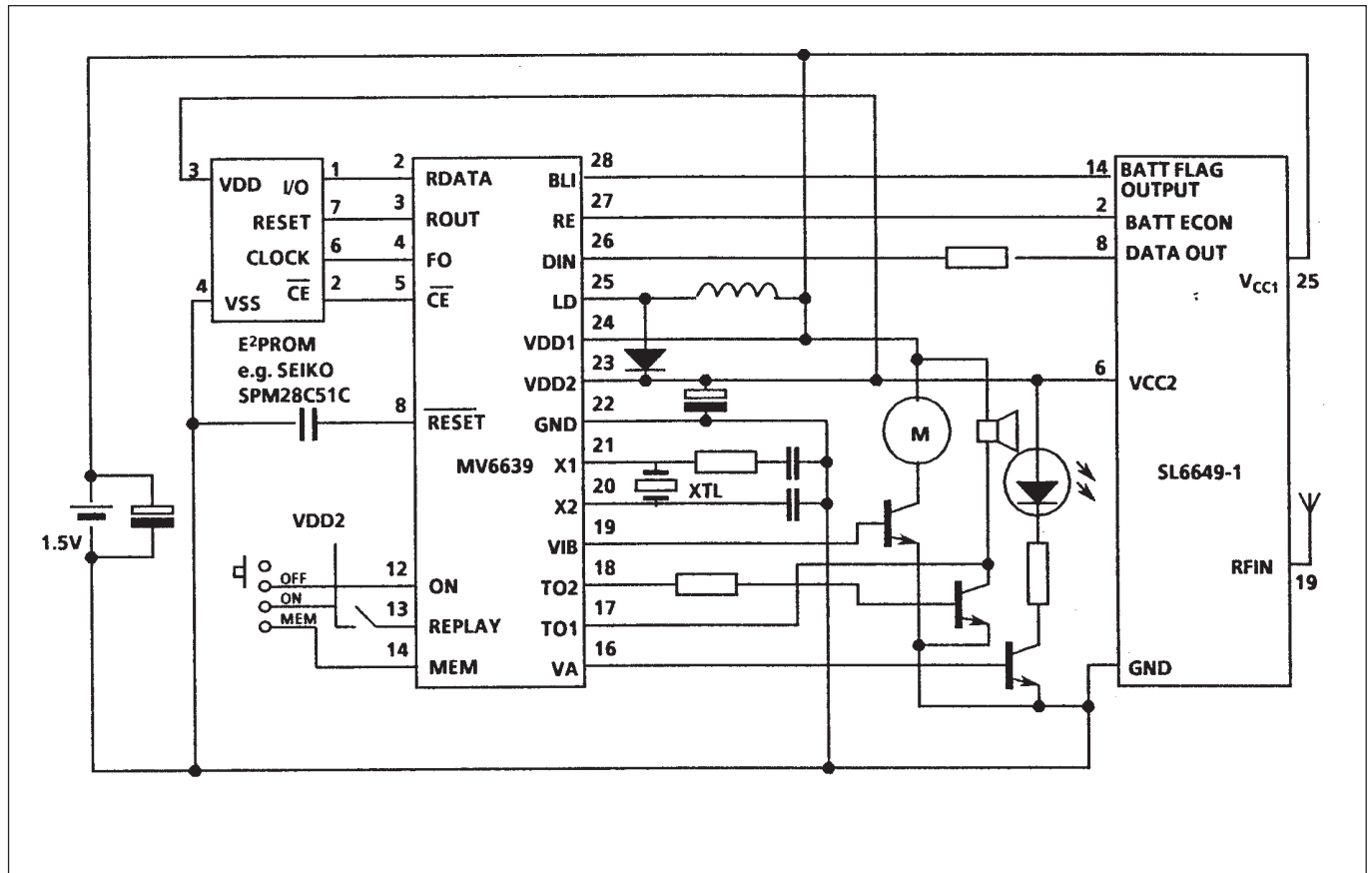


Figure 13(b): Tone Pager Applications Example Showing Interface with SL6649-1 Receiver

## OPERATION AT OTHER FREQUENCIES AND DATA RATES

The values given in the components list for figure 6 are appropriate for frequencies nominally around 153MHz. In order to use the receiver at other frequencies it is necessary to change the capacitor C4 which is resonant with the transformer T1, and L2 and L4 in the oscillator circuit.

It is also necessary to change the values of capacitors C13 and C15 such that the reactance of these is equal to 100Ω at the required frequency.

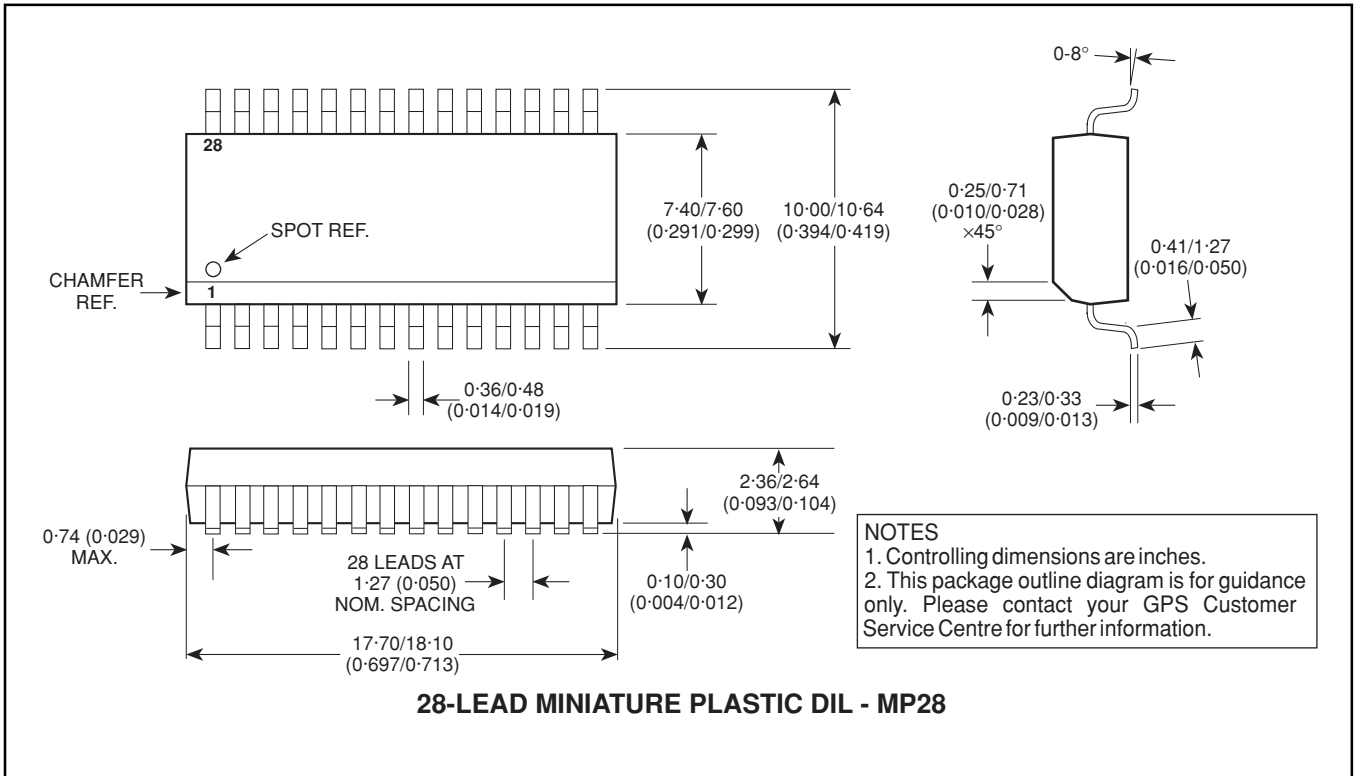
It is of course necessary to use a crystal of the required frequency and stability. In order to use the receiver at higher data rates it is only necessary to reduce the value of C8, for example, at 1200bps, C8=470pf.

A demonstration board has been designed specifically to demonstrate terminal sensitivity. It is possible to connect an antenna to the board with suitable matching but no guarantee can be given regarding field strength sensitivity. However, with a suitably designed combination of PCB and antenna, a sensitivity of 5μV/M should be attainable.

# SL6649-1

## PACKAGE DETAILS

Dimensions are shown thus: mm (in). For further package information, please contact your local Customer Service Centre.



**HEADQUARTERS OPERATIONS**  
**GEC PLESSEY SEMICONDUCTORS**  
 Cheney Manor, Swindon,  
 Wiltshire SN2 2QW, United Kingdom.  
 Tel: (01793) 518000  
 Fax: (01793) 518411

**GEC PLESSEY SEMICONDUCTORS**  
 P.O. Box 660017  
 1500 Green Hills Road,  
 Scotts Valley, California 95067-0017,  
 United States of America.  
 Tel: (408) 438 2900  
 Fax: (408) 438 5576

### CUSTOMER SERVICE CENTRES

- **FRANCE & BENELUX** Les Ulis Cedex Tel: (1) 69 18 90 00 Fax : (1) 64 46 06 07
- **GERMANY** Munich Tel: (089) 3609 06-0 Fax : (089) 3609 06-55
- **ITALY** Milan Tel: (02) 66040867 Fax: (02) 66040993
- **JAPAN** Tokyo Tel: (03) 5276-5501 Fax: (03) 5276-5510
- **NORTH AMERICA** Scotts Valley, USA Tel (408) 438 2900 Fax: (408) 438 7023.
- **SOUTH EAST ASIA** Singapore Tel: (65) 3827708 Fax: (65) 3828872
- **SWEDEN** Stockholm Tel: 46 8 702 97 70 Fax: 46 8 640 47 36
- **TAIWAN, ROC** Taipei Tel: 886 2 5461260. Fax: 886 2 7190260
- **UK, EIRE, DENMARK, FINLAND & NORWAY**  
 Swindon Tel: (01793) 518527/518566 Fax : (01793) 518582

These are supported by Agents and Distributors in major countries world-wide.

© GEC Plessey Semiconductors 1995 Publication No. 3115 Issue No. 4.0 September 1995  
 TECHNICAL DOCUMENTATION - NOT FOR RESALE. PRINTED IN UNITED KINGDOM.

This publication is issued to provide information only which (unless agreed by the Company in writing) may not be used, applied or reproduced for any purpose nor form part of any order or contract nor to be regarded as a representation relating to the products or services concerned. No warranty or guarantee express or implied is made regarding the capability, performance or suitability of any product or service. The Company reserves the right to alter without prior notice the specification, design or price of any product or service. Information concerning possible methods of use is provided as a guide only and does not constitute any guarantee that such methods of use will be satisfactory in a specific piece of equipment. It is the user's responsibility to fully determine the performance and suitability of any equipment using such information and to ensure that any publication or data used is up to date and has not been superseded. These products are not suitable for use in any medical products whose failure to perform may result in significant injury or death to the user. All products and materials are sold and services provided subject to the Company's conditions of sale, which are available on request.



**For more information about all Zarlink products  
visit our Web Site at  
[www.zarlink.com](http://www.zarlink.com)**

Information relating to products and services furnished herein by Zarlink Semiconductor Inc. or its subsidiaries (collectively "Zarlink") is believed to be reliable. However, Zarlink assumes no liability for errors that may appear in this publication, or for liability otherwise arising from the application or use of any such information, product or service or for any infringement of patents or other intellectual property rights owned by third parties which may result from such application or use. Neither the supply of such information or purchase of product or service conveys any license, either express or implied, under patents or other intellectual property rights owned by Zarlink or licensed from third parties by Zarlink, whatsoever. Purchasers of products are also hereby notified that the use of product in certain ways or in combination with Zarlink, or non-Zarlink furnished goods or services may infringe patents or other intellectual property rights owned by Zarlink.

This publication is issued to provide information only and (unless agreed by Zarlink in writing) may not be used, applied or reproduced for any purpose nor form part of any order or contract nor to be regarded as a representation relating to the products or services concerned. The products, their specifications, services and other information appearing in this publication are subject to change by Zarlink without notice. No warranty or guarantee express or implied is made regarding the capability, performance or suitability of any product or service. Information concerning possible methods of use is provided as a guide only and does not constitute any guarantee that such methods of use will be satisfactory in a specific piece of equipment. It is the user's responsibility to fully determine the performance and suitability of any equipment using such information and to ensure that any publication or data used is up to date and has not been superseded. Manufacturing does not necessarily include testing of all functions or parameters. These products are not suitable for use in any medical products whose failure to perform may result in significant injury or death to the user. All products and materials are sold and services provided subject to Zarlink's conditions of sale which are available on request.

Purchase of Zarlink's I<sup>2</sup>C components conveys a licence under the Philips I<sup>2</sup>C Patent rights to use these components in and I<sup>2</sup>C System, provided that the system conforms to the I<sup>2</sup>C Standard Specification as defined by Philips.

Zarlink, ZL and the Zarlink Semiconductor logo are trademarks of Zarlink Semiconductor Inc.

Copyright Zarlink Semiconductor Inc. All Rights Reserved.

**TECHNICAL DOCUMENTATION - NOT FOR RESALE**

---