

2.50mm (0.098") PITCH CONNECTOR

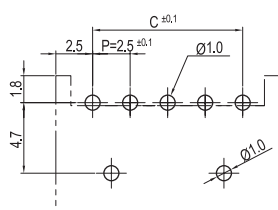
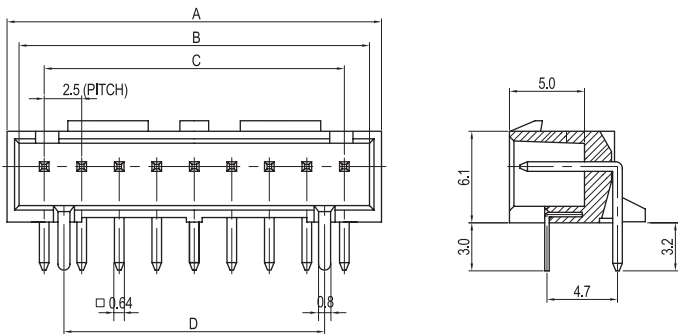
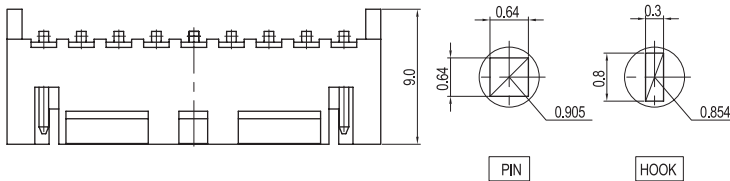
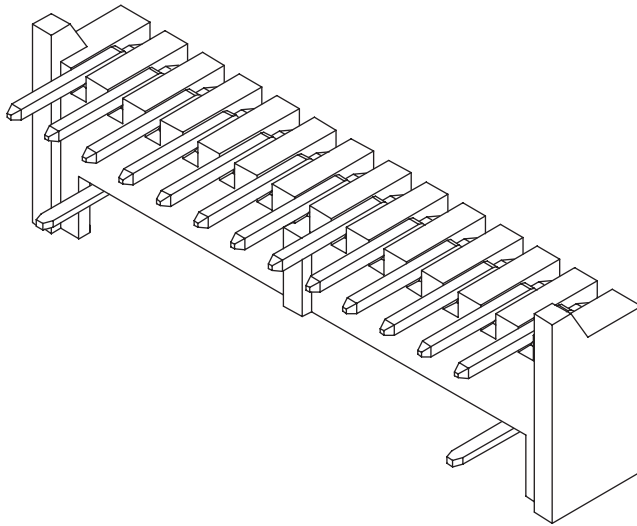


Wire-to-Board
Wafer

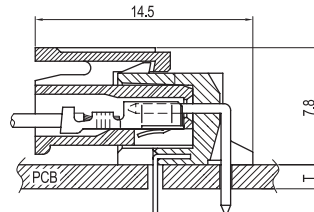
SMAW250A Series

DIP

Right Angle



PCB LAYOUT



PCB ASSY

Material

I/NO	DESCRIPTION	TITLE	MATERIAL
1	WAFER	SMAW250A	PA66, UL94 V Grade
2	PIN		Brass & Tin-Plated
3	HOOK		Brass & Tin-Plated

Available Pin

PARTS NO.	A	B	C
SMAW250A-02P	7.50	5.90	-
SMAW250A-03P	10.00	8.40	-
SMAW250A-04P	12.50	10.90	5.00
SMAW250A-05P	15.00	13.40	7.50
SMAW250A-06P	17.50	15.90	10.00
SMAW250A-07P	20.00	18.40	12.50
SMAW250A-08P	22.50	20.90	15.00
SMAW250A-09P	25.00	23.40	17.50
SMAW250A-10P	27.50	25.90	20.00
SMAW250A-11P	30.00	28.40	22.50
SMAW250A-12P	32.50	30.90	25.00
SMAW250A-13P	35.00	33.40	27.50
SMAW250A-14P	37.50	35.90	30.00
SMAW250A-15P	40.00	38.40	32.50

Specification

ITEM	SPEC
Voltage Rating	AC/DC 250V
Current Rating	AC/DC 3A
Operating Temperature	-25°C~+85°C
Contact Resistance	30mΩ MAX
Withstanding Voltage	AC1000V/1min
Insulation Resistance	1000MΩ MIN
Applicable Wire	-
Applicable P.C.B	-
Applicable FPC/FFC	-
Solder Height	-
Crimp Tensile Strength	-
UL FILE NO	E108706