

## SURFACE MOUNT LOW PROFILE PCB HEADER

.100" x .100" CENTERS



LR92984 E60980

### PHYSICAL PROPERTIES

INSULATION MATERIAL: Glass filled thermoplastic rated UL 94V-0, infrared & vapor phase process compatible.

COLOR: Black

CONTACT MATERIAL: Phosphor bronze with 30µ inches min. gold over nickel in termination area.

### ELECTRICAL PROPERTIES

CURRENT RATING: 1 Amp

INSULATION RESISTANCE: >1 x 10<sup>9</sup> Ohms @ 500 VDC

DIELECTRIC STRENGTH: > 500 VRMS @ sea level

### ENVIRONMENTAL PROPERTIES

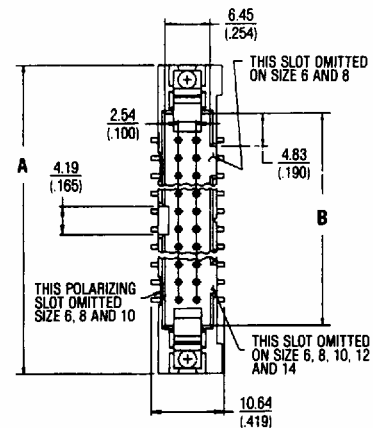
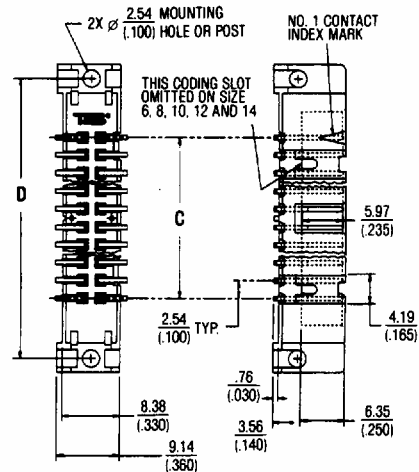
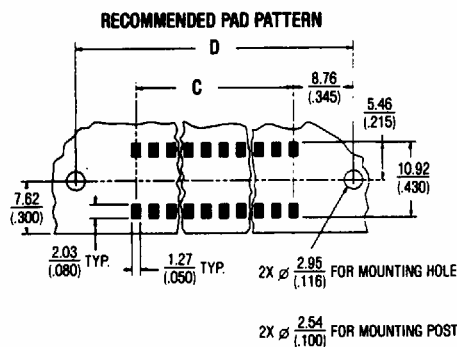
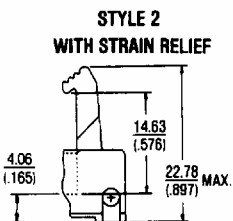
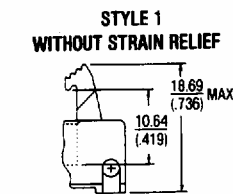
TEMPERATURE RATING: -55°C TO 125°C

### MATING CONNECTORS

FEMALE SOCKETS: See pages 8-10

### ACCESSORIES

POLARIZING KEY: See page 42



### Ordering Information

CATALOG NO. NUMBERS*	NO. OF POS.	DIMENSIONS IN MM (INCHES)			
		A	B	C	D
SMH-06*	6	26.67 (1.050)	12.80 (.504)	5.08 (.200)	22.61 (.890)
SMH-08*	8	29.21 (1.150)	15.34 (.604)	7.62 (.300)	25.15 (.990)
SMH-10*	10	31.75 (1.250)	17.88 (.704)	10.16 (.400)	27.69 (1.090)
SMH-12*	12	34.29 (1.350)	20.42 (.804)	12.70 (.500)	30.23 (1.190)
SMH-14*	14	36.83 (1.450)	22.96 (.904)	15.24 (.600)	32.77 (1.290)
SMH-16*	16	39.37 (1.550)	25.50 (1.004)	17.78 (.700)	35.31 (1.390)
SMH-20*	20	44.45 (1.750)	30.58 (1.204)	22.86 (.900)	40.39 (1.590)
SMH-24*	24	49.53 (1.950)	35.66 (1.404)	27.94 (1.100)	45.47 (1.790)
SMH-26*	26	52.07 (2.050)	38.20 (1.504)	30.48 (1.200)	48.00 (1.890)
SMH-30*	30	57.15 (2.250)	43.28 (1.704)	35.56 (1.400)	53.09 (2.090)
SMH-34*	34	62.23 (2.450)	48.36 (1.904)	40.64 (1.600)	58.17 (2.290)
SMH-40*	40	69.85 (2.750)	55.98 (2.204)	48.26 (1.900)	65.79 (2.590)
SMH-44*	44	74.93 (2.950)	61.06 (2.404)	53.34 (2.100)	70.87 (2.790)
SMH-50*	50	82.55 (3.250)	68.68 (2.704)	60.96 (2.400)	78.49 (3.090)
SMH-56*	56	90.17 (3.550)	76.30 (3.004)	68.58 (2.700)	86.11 (3.390)
SMH-60*	60	95.25 (3.750)	81.38 (3.204)	73.66 (2.900)	91.19 (3.590)
SMH-64*	64	100.33 (3.950)	86.46 (3.404)	78.74 (3.100)	96.27 (3.790)

\* See part number matrix for complete product number

## SMH-06 270-2

