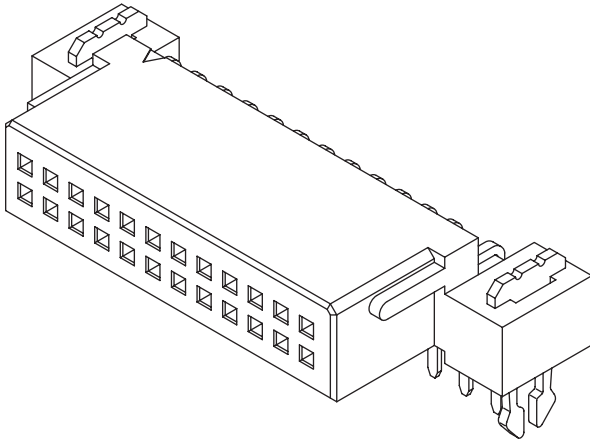


# 2.00mm (0.079") PITCH CONNECTOR



**Board-to-Board  
Housing**

**SMH200-NND**

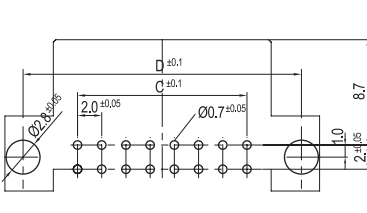
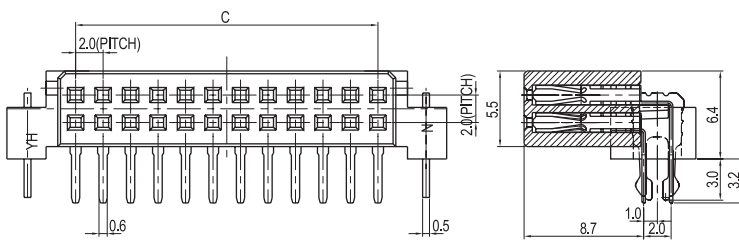
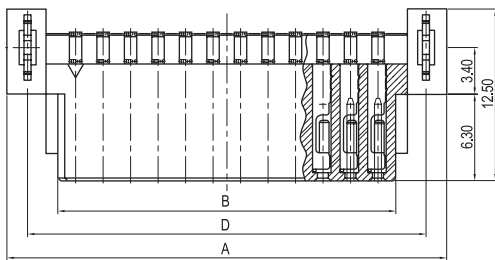


## Material

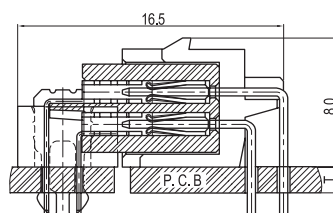
I/NO	DESCRIPTION	TITLE	MATERIAL
1	HOUSING	SMH200-NND	PBT, UL 94V Grade
2	TERMINAL	YST200-D(S,L)	Phosphor Bronze, Tin-plated
3	HOOK	25413LR	Brass, Tin-plated

## Available Pin

PARTS NO.	A	B	C	D
SMH200 - 18D	28.0	20.0	16.0	25.0
SMH200 - 20D	30.0	22.0	18.0	27.0
SMH200 - 18D	28.0	20.0	16.0	25.0
SMH200 - 20D	30.0	22.0	18.0	27.0
SMH200 - 22D	32.0	24.0	20.0	29.0
SMH200 - 24D	34.0	26.0	22.0	31.0
SMH200 - 26D	36.0	28.0	24.0	33.0
SMH200 - 28D	38.0	30.0	26.0	35.0
SMH200 - 30D	40.0	32.0	28.0	37.0
SMH200 - 32D	42.0	34.0	30.0	39.0
SMH200 - 34D	44.0	36.0	32.0	41.0
SMH200 - 36D	46.0	38.0	34.0	43.0
SMH200 - 38D	48.0	40.0	36.0	45.0
SMH200 - 40D	50.0	42.0	38.0	47.0



P. C. B LAYOUT



PCB ASS'Y

## Specification

ITEM	SPEC
Voltage Rating	AC/DC 250V
Current Rating	AC/DC 3A
Operating Temperature	-25°C~+85°C
Contact Resistance	30mΩ MAX
Withstanding Voltage	AC1000V/1min
Insulation Resistance	1000MΩ MIN
Applicable Wire	AWG #22~#28
Applicable P.C.B	-
Applicable FPC/FFC	-
Solder Height	-
Crimp Tensile Strength	-
UL FILE NO	E108706