



Austin Semiconductor, Inc.

UVEPROM SMJ27C040

4 MEG UVEPROM

UV Erasable Programmable
Read-Only Memory

AVAILABLE AS MILITARY SPECIFICATIONS

- SMD 5962-91752
- MIL-STD-883

FEATURES

- Organized 524,288 x 8
- Single +5V ±10% power supply
- Industry standard 32-pin dual-in-line package
- All inputs/outputs fully TTL compatible
- Static Operation (no clocks, no refresh)
- 8-bit output for use in microprocessor-based systems
- Power-saving CMOS technology
- 3-state output buffers
- 400-mV DC assured noise immunity with standard TTL loads
- Latchup immunity of 250 mA on all input and output pins
- No pullup resistors required
- Low power dissipation ($V_{cc} = 5.5V$)
 - ✓ Active - 385 mW Worst Case
 - ✓ Standby - 0.55 mW Worst Case (CMOS-input levels)

OPTIONS

- **Timing**
 - 120ns access
 - 150ns access

MARKING

- **Package(s)**
 - Ceramic DIP (600mils) J No. 114
- **Operating Temperature Ranges**
 - Military (-55°C to +125°C) M

For more products and information
please visit our web site at
www.austinsemiconductor.com

PIN ASSIGNMENT (Top View)

32-Pin DIP (J)
(600 MIL)



Pin Name	Function
A0 - A18	Address Inputs
DQ0-DQ7	Inputs (programming)/Outputs
E1	Chip Enable
G1	Output Enable
GND	Ground
V _{CC}	5V Supply
V _{pp}	13V Power Supply*

*Only in program mode.

GENERAL DESCRIPTION

The SMJ27C040 is a set of 4,194,304-bit, ultraviolet-light erasable, electrically programmable read-only memories (EPROMs).

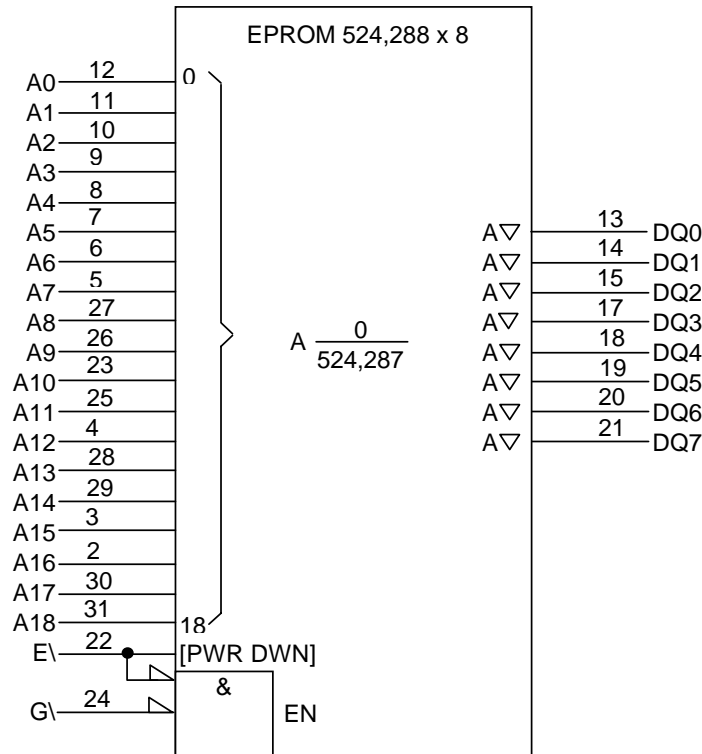
These devices are fabricated using CMOS technology for high speed and simple interface with MOS and bipolar circuits. All inputs (including program data inputs) can be driven by Series 54 TTL circuits. Each output can drive one Series 54 TTL circuit without external resistors. The data outputs are 3-state for connecting multiple devices to a common bus.

The SMJ27C040 is offered in a 32-pin 600-mil dual-in-line ceramic package (J suffix) rated for operation from -55°C to 125°C.

Since this EPROM operates from a single 5V supply (in the read mode), it is ideal for use in microprocessor-based systems. One other (13V) supply is needed for programming. All programming signals are TTL level. For programming outside the system, existing EPROM programmers can be used.



FUNCTIONAL BLOCK DIAGRAM*



* This symbol is in accordance with ANSI/IEEE std 91-1984 and IEC Publication 617-12. Pin numbers shown are for the J package.

OPERATION

The seven modes of operation are listed in Table 1. The read mode requires a single 5V supply. All inputs are TTL level except for V_{pp} during programming (13V), and V_H (12V)§ on A9 for signature mode.

TABLE 1. OPERATION MODES

	FUNCTION						
	E\ $\$	G\ $\$	V_{PP}	V_{CC}	A9	A0	DQ0-DQ7
Read	V_{IL}	V_{IL}	V_{CC}	V_{CC}	X	X	Data Out
Output Disable	V_{IL}	V_{IH}	V_{CC}	V_{CC}	X	X	High-Z
Standby	V_{IH}	X	V_{CC}	V_{CC}	X	X	High-Z
Programming	V_{IL}	V_{IH}	V_{PP}	V_{CC}	X	X	Data In
Program Inhibit	V_{IH}	V_{IH}	V_{PP}	V_{CC}	X	X	High-Z
Verify	V_{IH}	V_{IL}	V_{PP}	V_{CC}	X	X	Data Out
Signature Mode	V_{IL}	V_{IL}	V_{CC}	V_{CC}	V_{IH}^*	V_{IL}	MFG Code 97
						V_{IL}	Device Code 50

* X can be V_{IL} or V_{IH} .

§ $V_H = 12V \pm 0.5V$



READ/OUTPUT DISABLE

When the outputs of two or more SMJ27C040s are connected in parallel on the same bus, the output of any particular device in the circuit can be read with no interference from competing outputs of the other devices. To read the output of a single device, a low level signal is applied to the E\ and G\ pins. All other devices in the circuit should have their outputs disabled by applying a high level signal to one of these pins. Output data is accessed at pins Q0-Q7.

LATCHUP IMMUNITY

Latchup immunity on the SMJ27C040 is a minimum of 250mA on all inputs and outputs. This feature provides latchup immunity beyond any potential transients at the P.C. board level when the EPROM is interfaced to industry standard TTL or MOS logic devices. The input/output layout approach controls latchup without compromising performance or packing density.

POWER DOWN

Active I_{CC} supply current can be reduced from 70mA to 1mA for a high TTL input on E\ and to 100µA for a high CMOS input on E\. In this mode all outputs are in the high-impedance state.

ERASURE

Before programming, the SMJ27C040 EPROM is erased by exposing the chip through the transparent lid to a high intensity ultraviolet-light (wavelength 2537 Å). The recommended minimum exposure dose (UV intensity x exposure time) is 15-W·s/cm². A typical 12-mW/cm², filterless UV lamp erases the device in 21 minutes. The lamp should be located about 2.5cm above the chip during erasure. After erasure, all bits are in the high state. It should be noted that normal ambient light contains the correct wavelength for erasure. Therefore, when using the SMJ27C040, the window should be covered with an opaque label. After erasure (all bits in logic high state), logic lows are programmed into the desired locations. A programmed low can be erased only by ultraviolet light.

SNAP! PULSE PROGRAMMING

The SMJ27C040 is programmed by using the SNAP! Pulse programming algorithm. The programming sequence is shown in the SNAP! Pulse programming flow chart (Figure 1).

The initial setup is V_{PP} = 13V, V_{CC} = 6.5V, E\ = V_{IH}, and G\ = V_{IL}. Once the initial location is selected, the data is presented in parallel (eight bits) on pins DQ1 through DQ8. Once addresses and data are stable, the programming mode is achieved when E\ is pulsed low (V_{IL}) with a pulse duration of t_{W(PGM)}. Every location is programmed only once before going to interactive mode.

In the interactive mode, the word is verified at V_{PP} = 13V, V_{CC} = 6.5V, E\ = V_{IH}, and G\ = V_{IL}. If the correct data is not read, the programming is performed by pulling G\ high, then E\ low with a pulse duration of t_{W(PGM)}. This sequence of verification and programming is performed up to a maximum of 10 times. When the device is fully programmed, all bytes are verified with V_{CC} = V_{PP} = 5V ± 10%.

PROGRAM INHIBIT

Programming can be inhibited by maintaining high level inputs on the E\ and G\ pins.

PROGRAM VERIFY

Programmed bits can be verified with V_{PP} = 13V when G\ = V_{IL}, and E\ = V_{IH}.

SIGNATURE MODE

The signature mode provides access to a binary code identifying the manufacturer and type. This mode is activated when A9 (pin 26) is forced to 12V. Two identifier bytes are accessed by toggling A0. All other addresses must be held low. The signature code for the SMJ27C040 is 9750. A0 low selects the manufacturer's code 97 (Hex), and A0 high selects the device code 50 (Hex), as shown in Table 2.

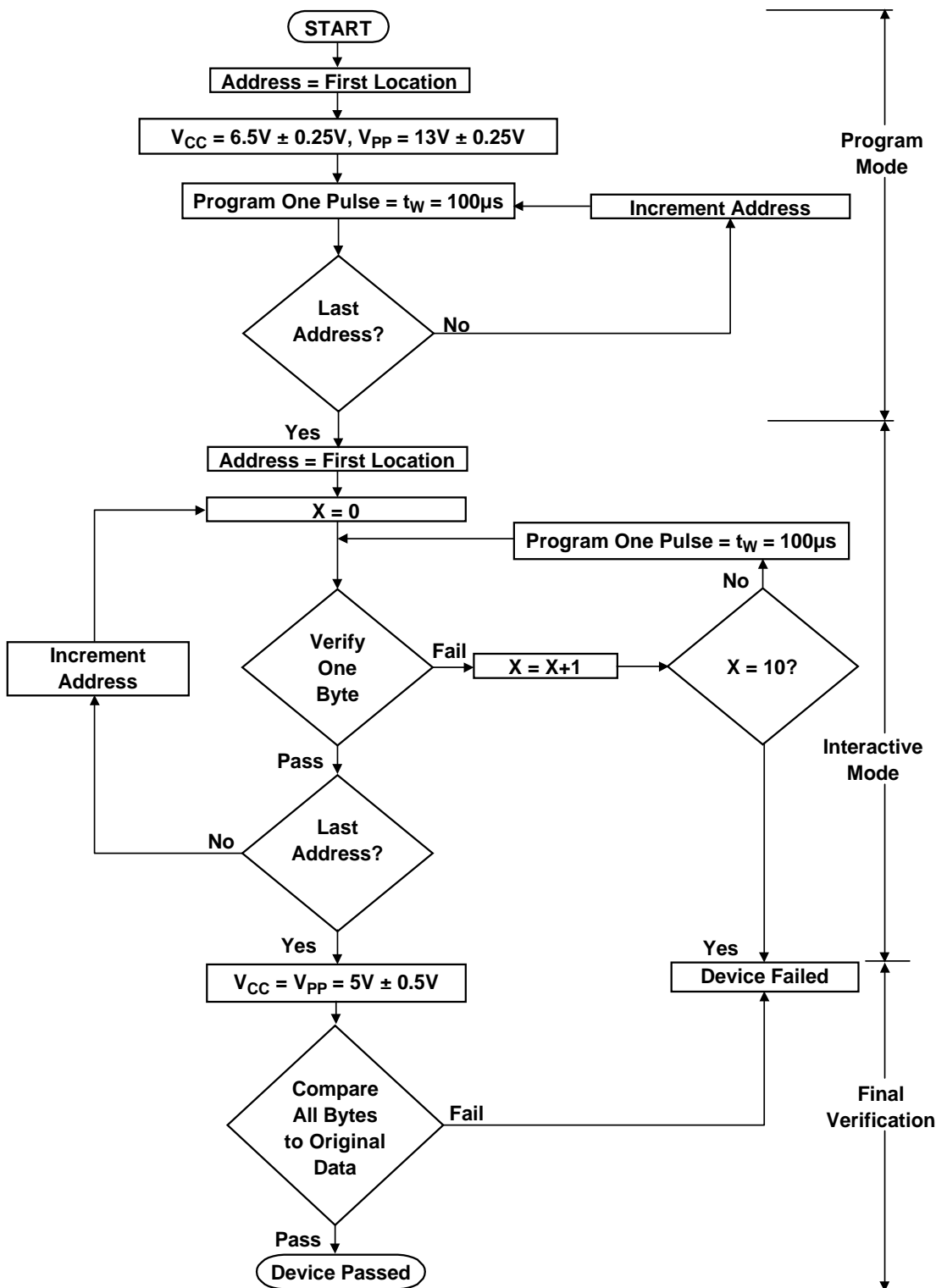
TABLE 2. SIGNATURE MODES

IDENTIFIER*	PINS									
	A0	DQ7	DQ6	DQ5	DQ4	DQ3	DQ2	DQ1	DQ0	HEX
MANUFACTURER CODE	V _{IL}	1	0	0	1	0	1	1	1	97
DEVICE CODE	V _{IH}	0	1	0	1	0	0	0	0	50

* E\ = G\ = V_{IL}, A1 - A8 = V_{IL}, A9 = V_{IH}, A10 - A18 = V_{IL}, V_{PP} = V_{CC}.



FIGURE 1. SNAP! PULSE PROGRAMMING FLOW CHART





CAPACITANCE OVER RECOMMENDED RANGES OF SUPPLY VOLTAGE AND OPERATING FREE-AIR TEMPERATURE, $f = 1\text{MHz}$ ($V_{CC} = V_{PP} = 5\text{V} \pm 0.5\text{V}$)*

PARAMETER		TEST CONDITIONS	TYP**	MAX	UNIT
C_i	Input capacitance	$V_I = 0\text{V}$	4	8	pF
C_o	Output capacitance	$V_O = 0\text{V}$	8	12	pF

* Capacitance is sampled only at initial design and after any major change.

** All typical values are at $T_A = 25^\circ\text{C}$ and nominal voltages.

SWITCHING CHARACTERISTICS OVER RECOMMENDED RANGES OF SUPPLY VOLTAGE AND OPERATING FREE-AIR TEMPERATURE^{1,2}

PARAMETER		TEST CONDITIONS ^{2,3}	-12		-15		UNIT
			MIN	MAX	MIN	MAX	
$t_{a(A)}$	Access time from address	(see Figure 2) Input $t_r < 20\text{ns}$ Input $t_f < 20\text{ns}$		120		150	ns
$t_{a(E)}$	Access time from chip enable			120		150	ns
$t_{en(G)}$	Output enable time from $G\backslash$			50		50	ns
t_{dis}	Output disable time from $G\backslash$ or $E\backslash$, whichever occurs first ¹		0	50	0	50	ns
$t_{v(A)}$	Output data valid time after change of address, $E\backslash$, or $G\backslash$, whichever occurs first ¹		0		0		ns

NOTES:

- Value calculated from 0.5V delta to measured output level. This parameter is only sampled and not 100% tested.
- Common test conditions apply for t_{dis} except during programming.
- For all switching characteristics the input pulse levels are 0.4V to 2.4V. Timing measurements are made at 2V for logic high and 0.8V for logic low. (Figure 2)

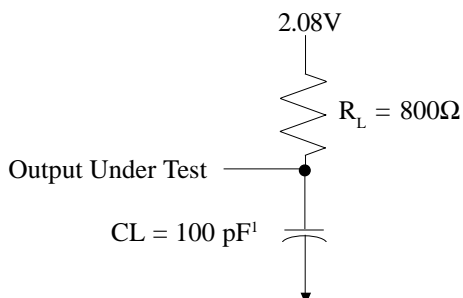
SWITCHING CHARACTERISTICS FOR PROGRAMMING: $V_{CC} = 6.5\text{V}$ and $V_{PP} = 13\text{V}$ (SNAP! Pulse), $T_A = 25^\circ\text{C}$

PARAMETER		MIN	MAX	UNIT
$t_{dis(G)}$	Output disable time from $G\backslash$	0	100	ns
$t_{en(G)}$	Output enable time from $G\backslash$		150	ns

TIMING REQUIREMENTS FOR PROGRAMMING

		MIN	TYP	MAX	UNIT
$t_{h(A)}$	Hold Time, Address	0			μs
$t_{h(D)}$	Hold Time, Data	2			μs
$t_{w(PGM)}$	Pulse Duration, Program	95	100	105	μs
SNAP! Pulse Programming Algorithm					
$t_{su(A)}$	Setup Time, Address	2			μs
$t_{su(E)}$	Setup Time, $E\backslash$	2			μs
$t_{su(G)}$	Setup Time, $G\backslash$	2			μs
$t_{su(D)}$	Setup Time, Data	2			μs
$t_{su(Vpp)}$	Setup Time, V_{PP}	2			μs
$t_{su(Vcc)}$	Setup Time, V_{CC}	2			μs

PARAMETER MEASUREMENT INFORMATION



NOTES:

1. C_L includes probe and fixture capacitance.



FIGURE 2. OUTPUT LOAD CIRCUIT AND INPUT/OUTPUT WAVE FORMS

FIGURE 3. READ-CYCLE TIMING

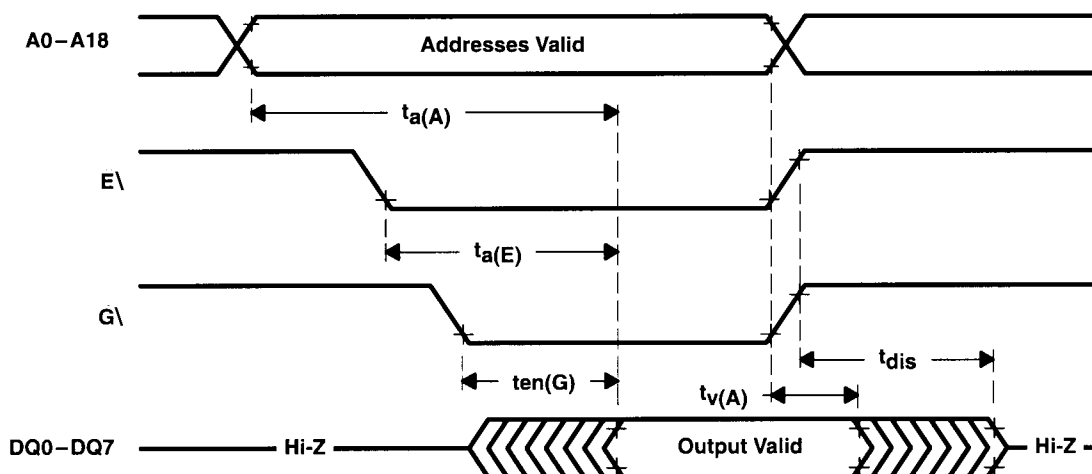
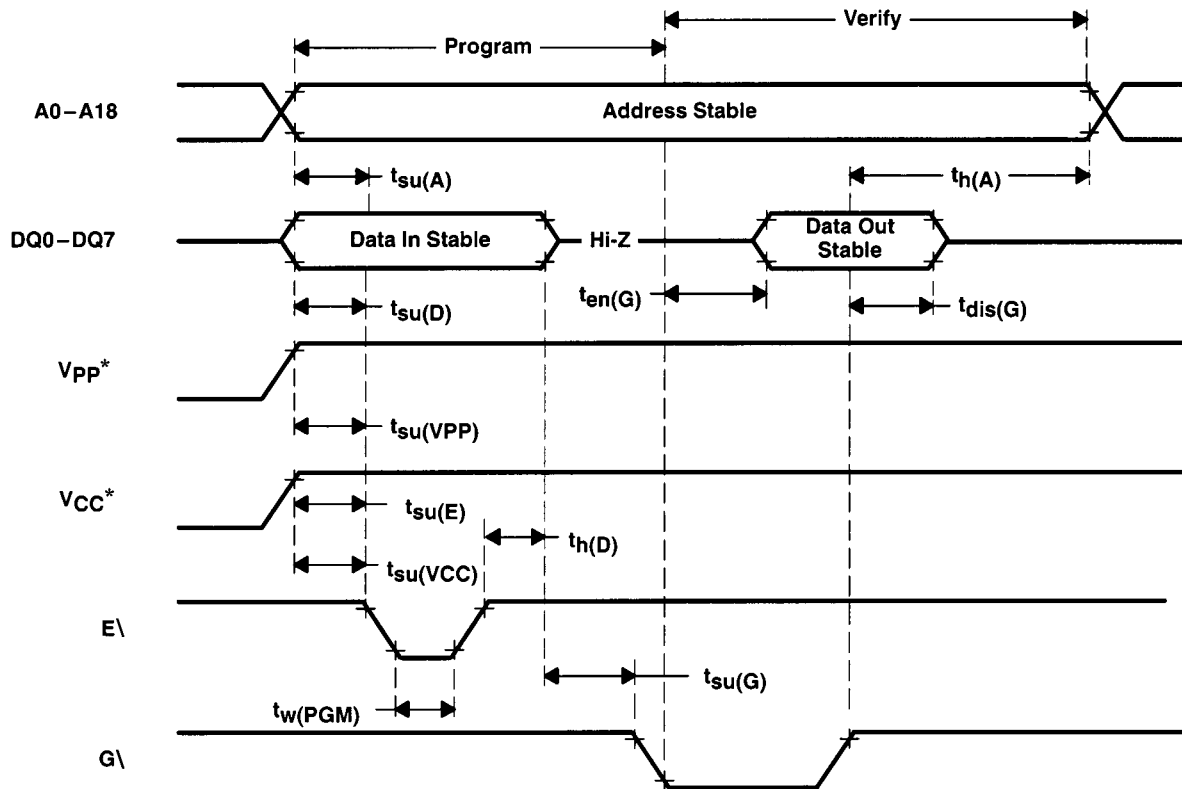




FIGURE 4. PROGRAM-CYCLE TIMING (SNAP! PULSE PROGRAMMING)

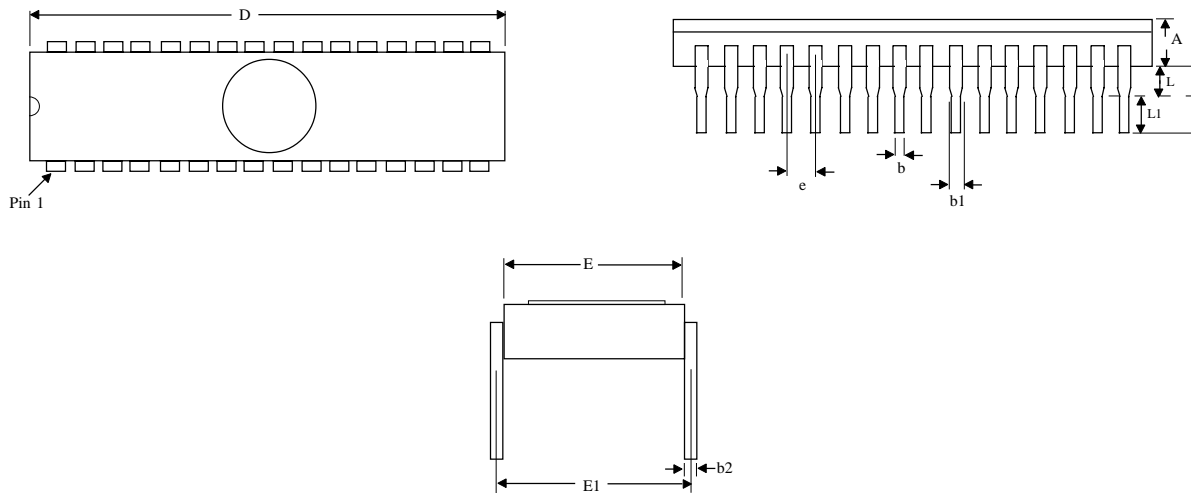


* 13V V_{pp} and 6.5V V_{cc} for SNAP! Pulse programming.



MECHANICAL DEFINITION*

ASI Case #114 (Package Designator J)
SMD 5962-91752, Case Outline X



SYMBOL	SMD Specifications	
	MIN	MAX
A	---	0.225
b	0.014	0.026
b1	0.045	0.065
b2	0.008	0.018
D	---	1.680
E	0.510	0.620
e	0.100 BSC	
E1	0.600 BSC	
L1	0.125	0.200
L	0.015	0.070

NOTE: These dimensions are per the SMD. ASI's package dimensional limits may differ, but they will be within the SMD limits.

*All measurements are in inches.



ORDERING INFORMATION

EXAMPLE: SMJ27C040-15JM

Device Number	Speed ns	Package Type	Operating Temp.
SMJ27C040	-12	J	*
SMJ27C040	-15	J	*

*AVAILABLE PROCESSES

M = Extended Temperature Range

-55°C to +125°C



ASI TO DSCC PART NUMBER CROSS REFERENCE*

ASI Package Designator J

TI Part #**	SMD Part #
SMJ27C040-12JM	5962-9175205MXA
SMJ27C040-15JM	5962-9175204MXA

* ASI part number is for reference only. Orders received referencing the SMD part number will be processed per the SMD.

** Parts are listed on SMD under the old Texas Instruments part number. ASI purchased this product line in November of 1999.