

**Thin Film Limiter Module
5 to 3000 MHz**

L1 / SML1
V2

Features

- VOLTAGE VARIABLE LIMITING LEVEL: -10 TO 0 dBm
- LOW INSERTION LOSS AT LOW INPUT LEVELS: < 2.0 dB (TYP.)
- GOOD SUPPRESSION OF EVEN ORDER HARMONICS DUE TO BALANCED CIRCUIT DESIGN
- EXCELLENT PHASE RESPONSE 0.3 DEGREE / dB TO 160 MHz (TYP.)

Description

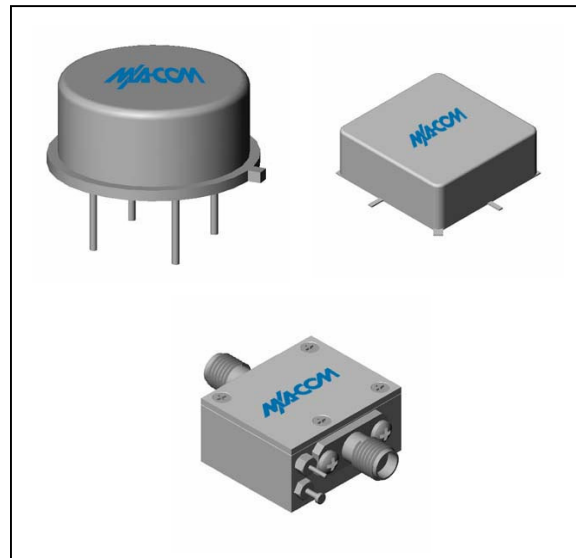
The L1 signal limiter is a discrete hybrid design, which uses thin film manufacturing processes for accurate performance and high reliability. This design uses Schottky bridge quad and anti-parallel diodes, which provide consistent limiting levels over a broadband frequency range. Both TO-8 and SMTO-8 packages are hermetically sealed, and MIL-STD-883 environmental screening is available.

Ordering Information

Part Number	Package
L1	TO-8
SML1	Surface Mount
CL1 **	SMA Connectorized

** The connectorized version is not RoHs compliant.

Product Image



Electrical Specifications: $Z_0 = 50\Omega$, $V_{CC} = +15 V_{DC}$

Absolute Maximum Ratings

Parameter	Units	Typical	Guaranteed	
		25°C	0° to 50°C	-54° to +85°C*
Frequency	MHz	5-3200	5-3000	5-3000
Insertion Loss @ $P_{IN} \leq -20$ dBm (max.)	5-1000 MHz	2.0	3.0	3.5
	1000-3000 MHz	3.0	4.5	4.5
Input VSWR (max.) $P_{IN} \leq -10$ dBm, $+10 \leq \text{Bias} \leq +20 V_{dc}$		1.7:1	1.9:1	2.1:1
Output VSWR (max.) $P_{IN} \leq -10$ dBm, $+10 \leq \text{Bias} \leq +20 V_{dc}$	5-1000 MHz	1.7:1	2.0:1	2.2:1
	1000-3000 MHz	2.0:1	2.3:1	2.5:1
Output Limiting Level @ $P_{IN} = +20$ dBm (max.)	5-2000 MHz	2.5	4.0	4.5
	2000-3000 MHz	6.5	7.0	7.0
Bias Current (max.)	@ 15 Vdc	7.0	9.0	10.0
	@ 20 Vdc	10.0		

Parameter	Absolute Maximum
Storage Temperature	-62°C to +125°C
Case Temperature	+125°C
DC Voltage	+25 V
Continuous Input Power	+20 dBm
Short Term Input power (1 minute max.)	400 mW
Peak Power (3 μ sec max.)	1 W
"S" Series Burn-In Temperature (case)	+125°C

* Over temperature performance limits for part number CL1, guaranteed from 0°C to +50°C only.

Limiting and Insertion Loss Characteristics at +25°C

Bias Voltage	Output Level at Limiting Threshold (1 dB comp.)		
	50 MHz	Typical 500 MHz	1000 MHz
+20 Volts	-0.8 dBm	-1.0 dBm	-1.0 dBm
+15 Volts	-2.0 dBm	-2.0 dBm	-2.2 dBm
+10 Volts	-4.5 dBm	-5.0 dBm	-5.5 dBm
+5 Volts	-11.5 dBm	-11.8 dBm	-12.0 dBm

1

M/A-COM Inc. and its affiliates reserve the right to make changes to the product(s) or information contained herein without notice. M/A-COM makes no warranty, representation or guarantee regarding the suitability of its products for any particular purpose, nor does M/A-COM assume any liability whatsoever arising out of the use or application of any product(s) or information.

- **North America** Tel: 800.366.2266 / Fax: 978.366.2266
- **Europe** Tel: 44.1908.574.200 / Fax: 44.1908.574.300
- **Asia/Pacific** Tel: 81.44.844.8296 / Fax: 81.44.844.8298

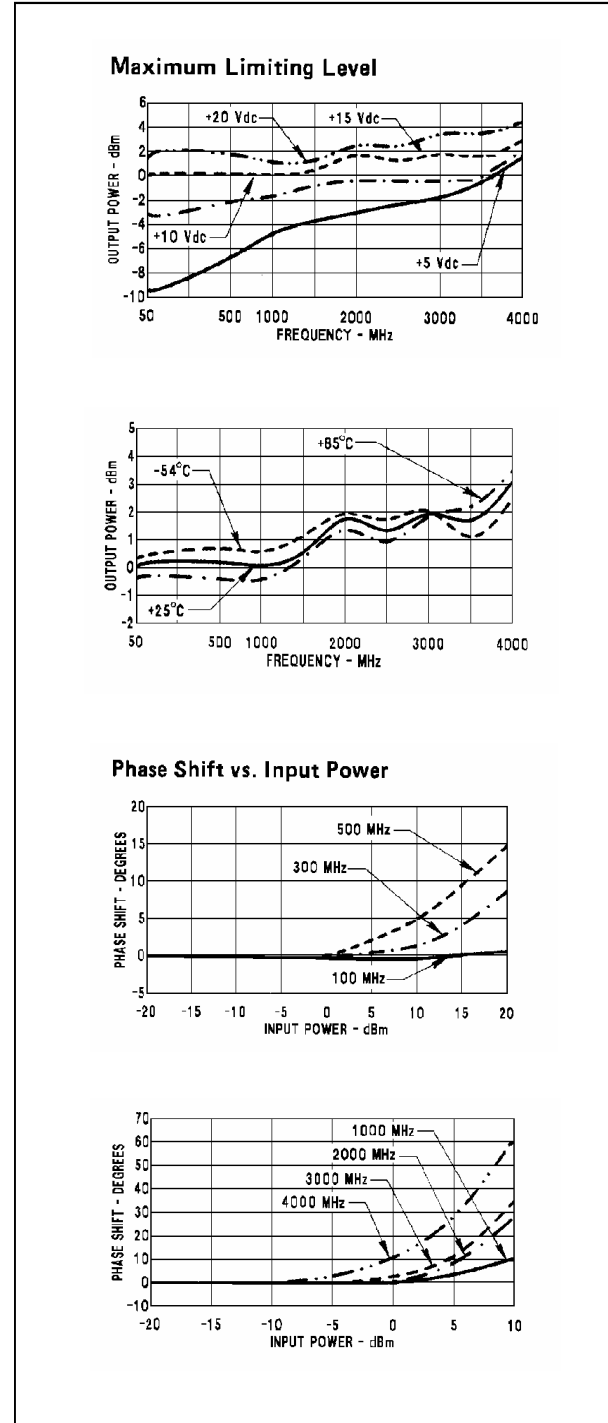
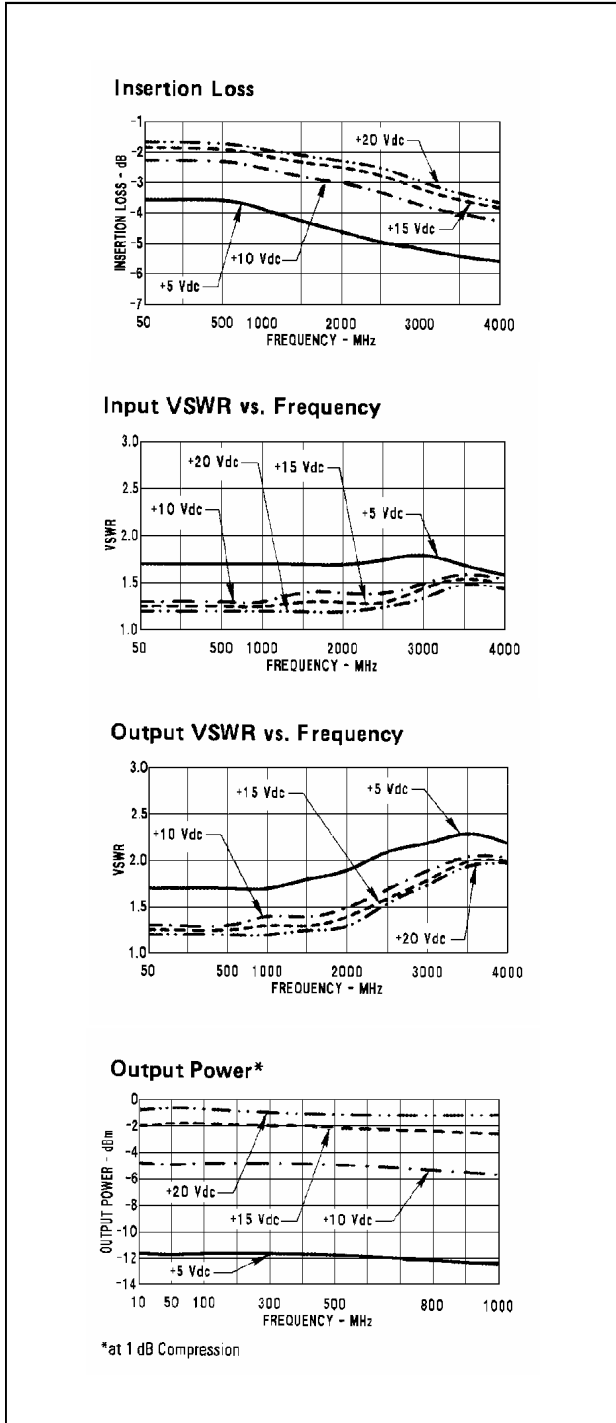
Visit www.macom.com for additional data sheets and product information.

**Thin Film Limiter Module
5 to 3000 MHz**

L1 / SML1

V2

Typical Performance Curves at +25°C



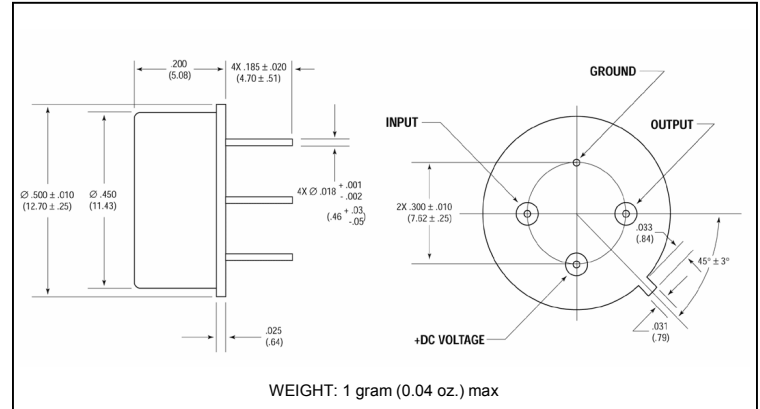
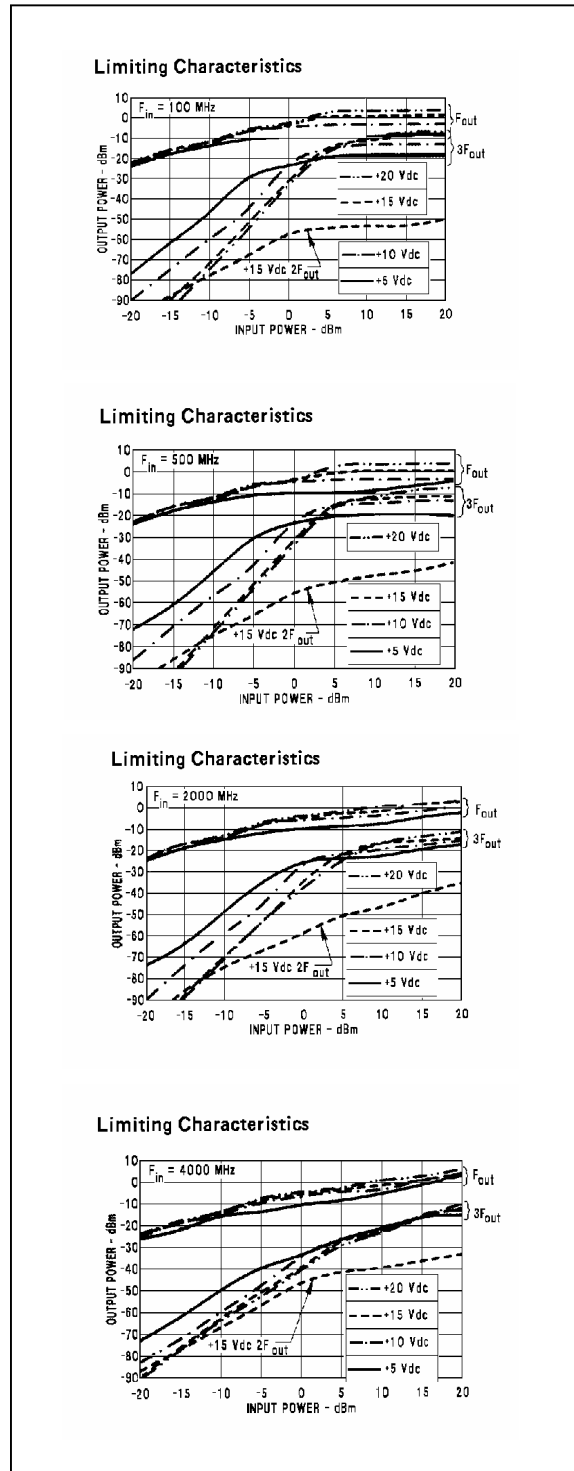
**Thin Film Limiter Module
5 to 3000 MHz**

L1 / SML1

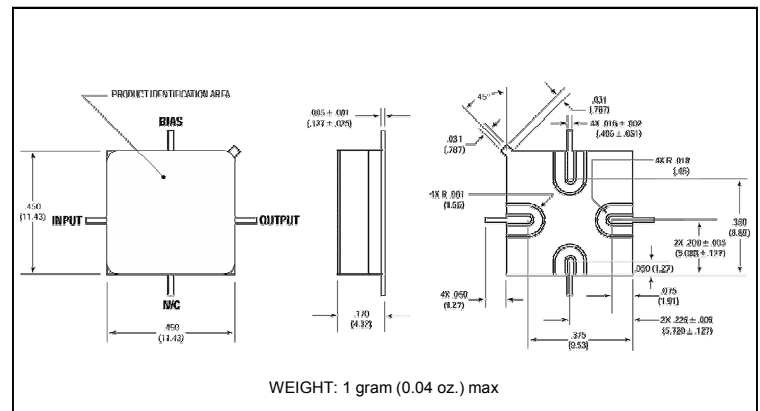
V2

Typical Performance Curves at +25°C

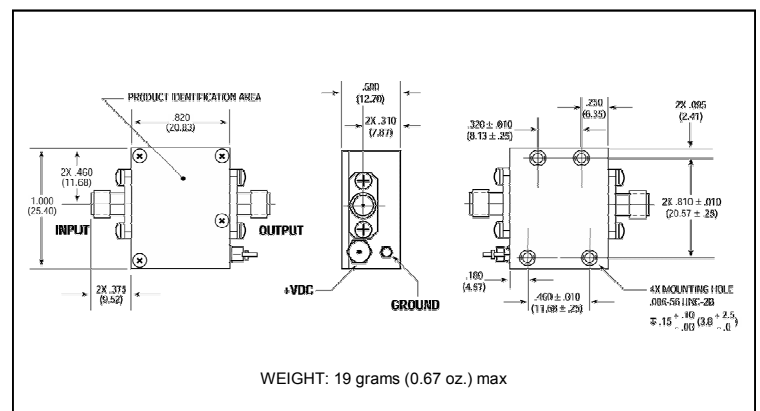
Outline Drawing: TO-8 *



Outline Drawing: Surface Mount *



Outline Drawing: SMA Connectorized *



* Dimensions are inches (millimeters) ±0.015 (0.38) unless otherwise specified.