

# 2.50mm (0.098") PITCH CONNECTOR

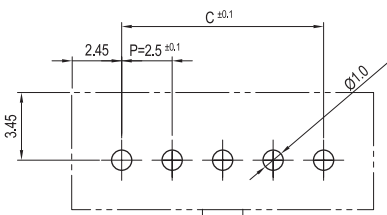
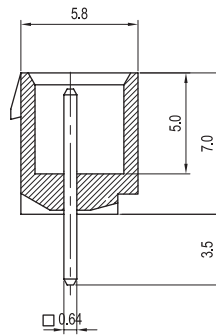
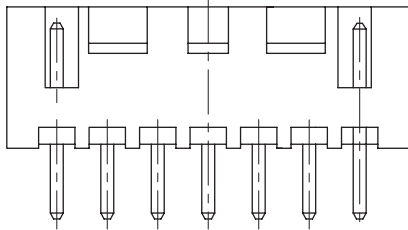
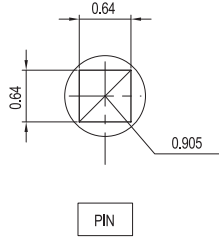
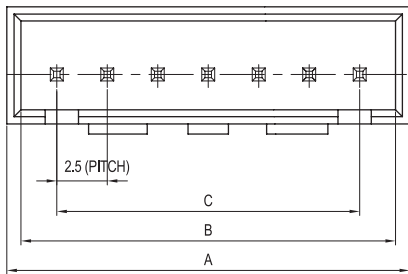
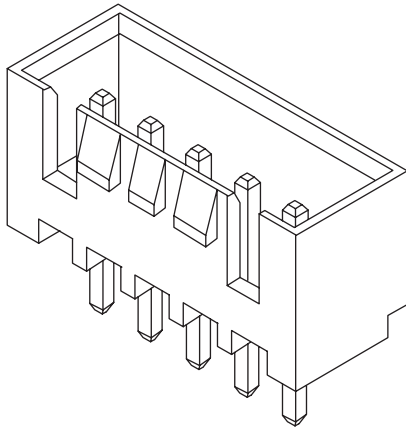


Wire-to-Board  
Wafer

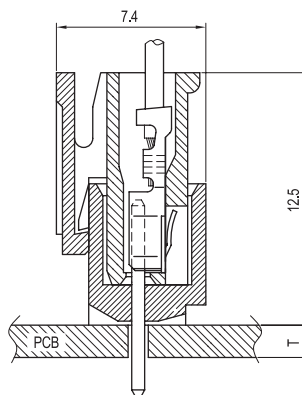
SMW250 Series

DIP

Straight



PCB LAYOUT



PCB ASS'Y

## Material

I/NO	DESCRIPTION	TITLE	MATERIAL
1	WAFER	SMW250	PA66, UL94 V Grade
2	PIN		Brass & Tin-Plated

## Available Pin

PARTS NO.	DIM. A	DIM. B	DIM. C
SMW250-02P	7.40	5.80	2.5
SMW250-03P	9.90	8.30	5.0
SMW250-04P	12.40	10.80	7.5
SMW250-05P	14.90	13.30	10.0
SMW250-06P	17.40	15.80	12.5
SMW250-07P	19.90	18.30	15.0
SMW250-08P	22.40	20.80	17.5
SMW250-09P	24.90	23.30	20.0
SMW250-10P	27.40	25.80	22.5
SMW250-11P	29.90	28.30	25.0
SMW250-12P	32.40	30.80	27.5
SMW250-13P	34.90	33.30	30.0
SMW250-14P	37.40	35.80	32.5
SMW250-15P	39.90	38.30	35.0

## Specification

ITEM	SPEC
Voltage Rating	AC/DC 250V
Current Rating	AC/DC 3A
Operating Temperature	-25°C ~ +85°C
Contact Resistance	30mΩ MAX
Withstanding Voltage	AC1000V/1min
Insulation Resistance	1000MΩ MIN
Applicable Wire	-
Applicable P.C.B	1.2~1.6mm
Applicable FPC/FFC	-
Solder Height	-
Crimp Tensile Strength	-
UL FILE NO	E108706