

## FEATURES

- Single-Chip Mixer/Oscillator and Phase-Locked Loop (PLL) Synthesizer
- Three-Band Local Oscillator
- I<sup>2</sup>C Bus Protocol (Bidirectional Data Transmission)
- 30-V Tuning Voltage Output
- Four NPN-Type Band-Switch Drivers
- Programmable Reference Divider Ratio (512, 640, or 1024)
- External 4-Pin Intermediate Frequency (IF) Filter Between Mixer Output and IF Amplifier Input
- 5-V Power Supply
- 30-Pin Thin Shrink Small-Outline Package (TSSOP)

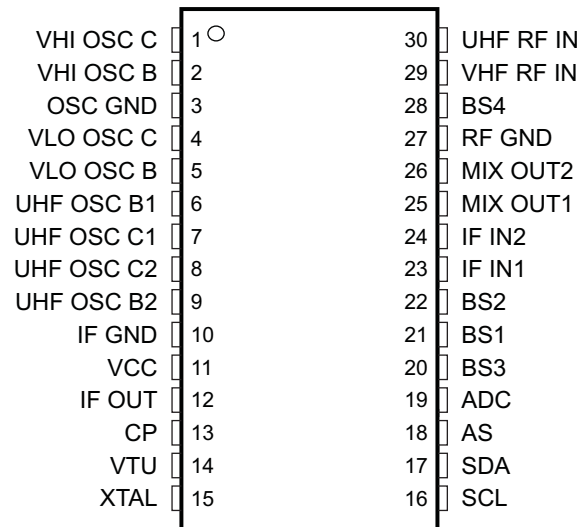
## APPLICATIONS

- TVs
- VCR/DVD Recorders
- Set-Top Boxes

## DESCRIPTION

The SN761678B is a synthesized tuner IC designed for TV tuning systems. The circuit consists of a phase-locked loop (PLL) synthesizer, three-band local oscillator and mixer, 30-V output tuning amplifier, and four NPN band-switch drivers. The device is available in a small-outline package. A 15-bit programmable counter and reference divider are controlled by I<sup>2</sup>C bus protocol. Tuning step frequency is selectable by this reference divider ratio for a crystal oscillator.

DBT PACKAGE  
(TOP VIEW)



P0038-01



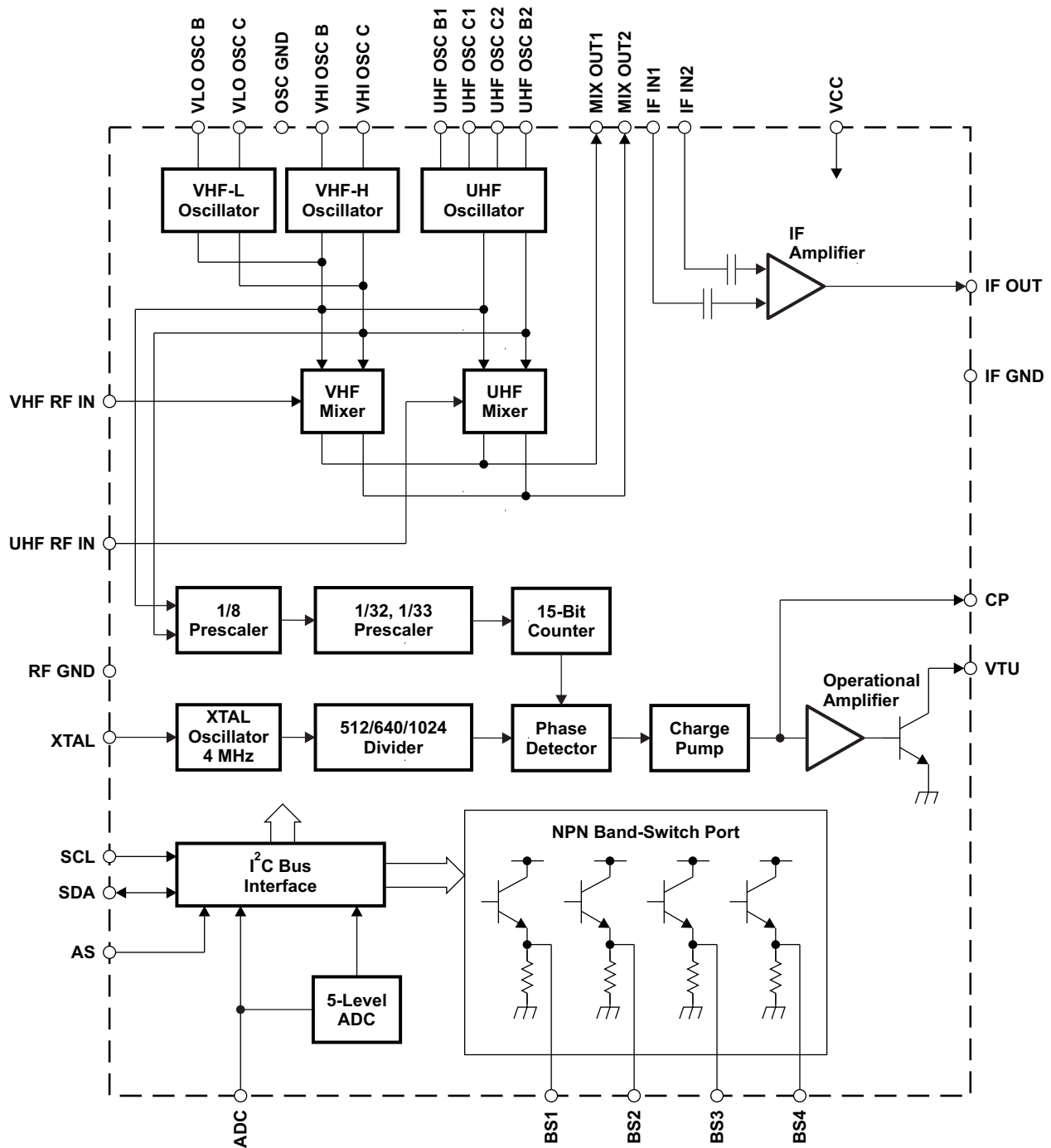
This integrated circuit can be damaged by ESD. Texas Instruments recommends that all integrated circuits be handled with appropriate precautions. Failure to observe proper handling and installation procedures can cause damage.

ESD damage can range from subtle performance degradation to complete device failure. Precision integrated circuits may be more susceptible to damage because very small parametric changes could cause the device not to meet its published specifications.



Please be aware that an important notice concerning availability, standard warranty, and use in critical applications of Texas Instruments semiconductor products and disclaimers thereto appears at the end of this data sheet.

FUNCTIONAL BLOCK DIAGRAM



B0089-02

### Terminal Functions

TERMINAL NAME	NO.	DESCRIPTION	SCHEMATIC
ADC	19	ADC input	Figure 1
AS	18	Address selection input	Figure 2
BS1	21	Band-switch 1 output (NPN emitter follower)	Figure 4
BS2	22	Band-switch 2 output (NPN emitter follower)	Figure 4
BS3	20	Band-switch 3 output (NPN emitter follower)	Figure 4
BS4	28	Band-switch 4 output (NPN emitter follower)	Figure 4
CP	13	Charge-pump output	Figure 5
IF GND	10	IF ground	
IF IN1	23	IF amplifier input 1	Figure 3
IF IN2	24	IF amplifier input 2	Figure 3
IF OUT	12	IF output	Figure 6
MIX OUT1	25	Mixer output 1	Figure 7
MIX OUT2	26	Mixer output 2	Figure 7
OSC GND	3	Oscillator ground	
RF GND	27	RF ground	
SCL	16	Serial clock input	Figure 8
SDA	17	Serial data input/output	Figure 9
UHF OSC B1	6	UHF oscillator base 1	Figure 10
UHF OSC B2	9	UHF oscillator base 2	Figure 10
UHF OSC C1	7	UHF oscillator collector 1	Figure 10
UHF OSC C2	8	UHF oscillator collector 2	Figure 10
UHF RF IN	30	UHF RF input	Figure 11
VCC	11	Supply voltage for mixer/oscillator/PLL: 5 V	
VHF RF IN	29	VHF RF input	Figure 12
VHI OSC B	2	VHF HIGH oscillator base	Figure 13
VHI OSC C	1	VHF HIGH oscillator collector	Figure 13
VLO OSC B	5	VHF LOW oscillator base	Figure 14
VLO OSC C	4	VHF LOW oscillator collector	Figure 14
VTU	14	Tuning voltage amplifier output	Figure 15
XTAL	15	4-MHz crystal oscillator input	Figure 16

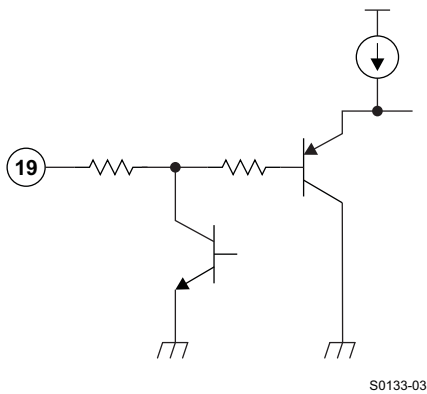


Figure 1.

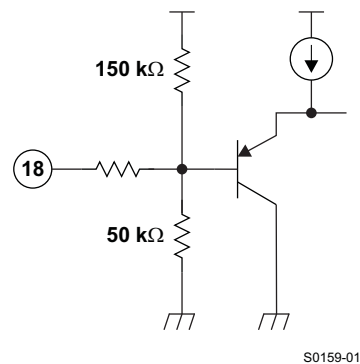


Figure 2.

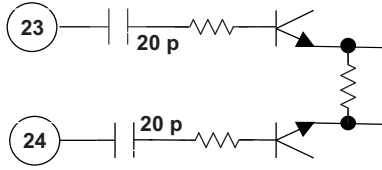
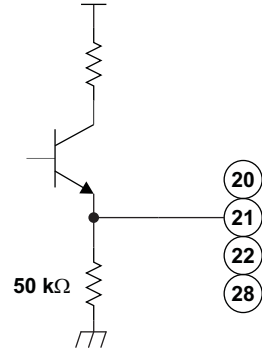
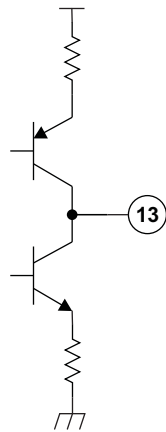


Figure 3.



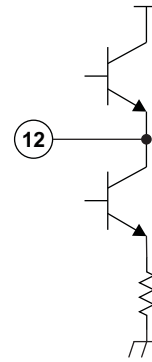
S0138-02

Figure 4.



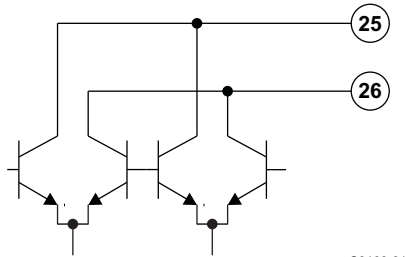
S0156-01

Figure 5.



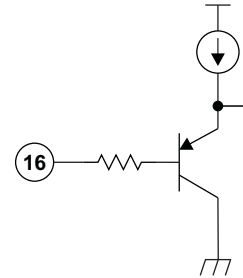
S0155-01

Figure 6.



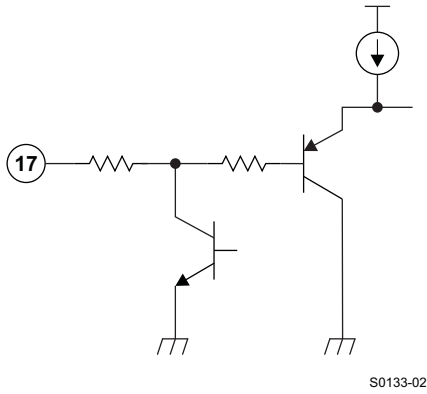
S0160-01

Figure 7.

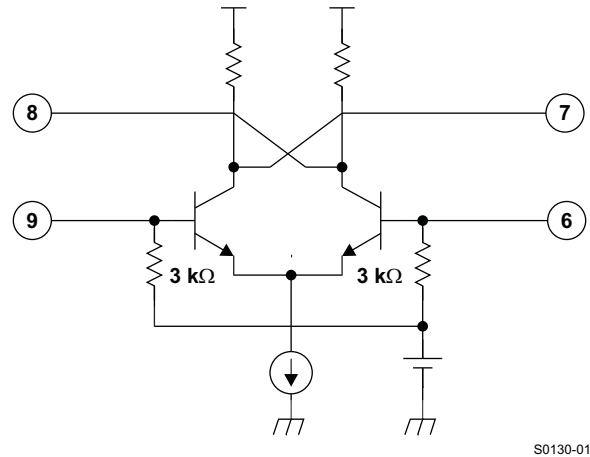


S0136-03

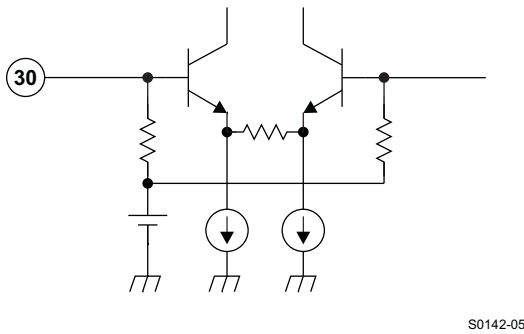
Figure 8.



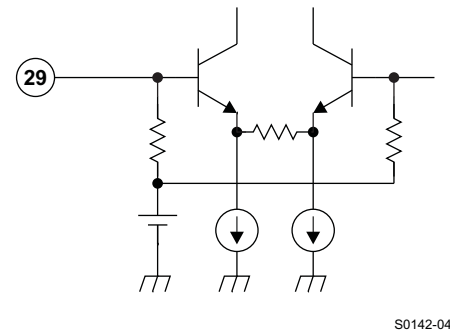
**Figure 9.**



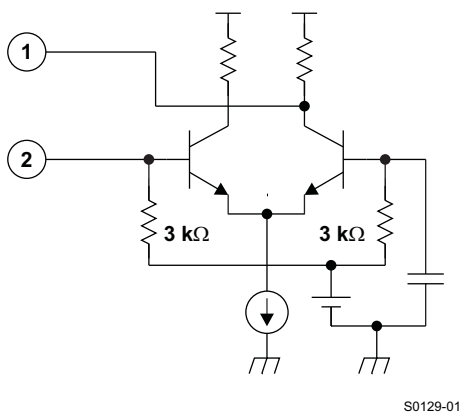
**Figure 10.**



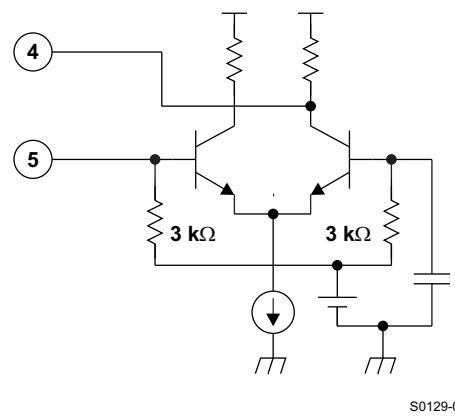
**Figure 11.**



**Figure 12.**



**Figure 13.**



**Figure 14.**

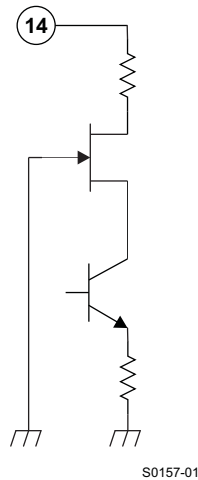


Figure 15.

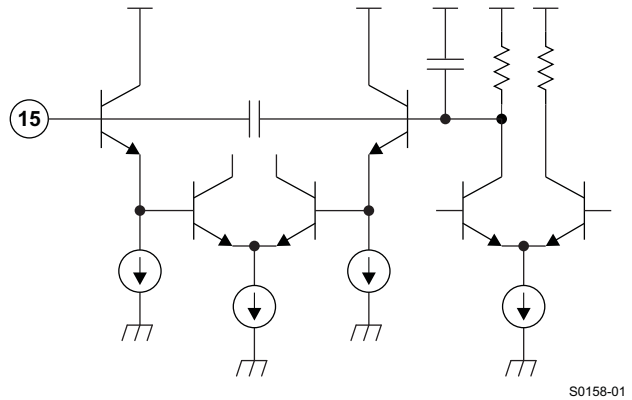


Figure 16.

## Absolute Maximum Ratings

over operating free-air temperature range (unless otherwise noted) <sup>(1)</sup>

Supply voltage range, $V_{CC}^{(2)}$	VCC (pin 11)	–0.4 V to 6.5 V
Input voltage 1, $V_{GND}^{(2)}$	OSC GND, RF GND (pins 3, 27)	–0.4 V to 0.4 V
Input voltage 2, $V_{VTU}^{(2)}$	VTU (pin 14)	–0.4 V to 35 V
Input voltage 3, $V_{IN}^{(2)}$	Other pins (1, 2, 4–9, 12, 13, 15–26, 28–30)	–0.4 V to 6.5 V
Continuous total dissipation, $P_D^{(3)}$	$T_A \leq 25^\circ\text{C}$	1071 mW
Operating free-air temperature range, $T_A$		–20°C to 85°C
Storage temperature range, $T_{stg}$		–65°C to 150°C
Maximum junction temperature, $T_J$		150°C
Maximum short-circuit time, $t_{SC(max)}$	Each pin to $V_{CC}$ or to GND	10 s

- (1) Stresses beyond those listed under "absolute maximum ratings" may cause permanent damage to the device. These are stress ratings only, and functional operation of the device at these or any other conditions beyond those indicated under "recommended operating conditions" is not implied. Exposure to absolute-maximum-rated conditions for extended periods may affect device reliability.
- (2) Voltage values are with respect to the IF GND of the circuit.
- (3) Derating factor is 8.57 mW/°C for  $T_A \geq 25^\circ\text{C}$ .

## Recommended Operating Conditions

	MIN	NOM	MAX	UNIT
Supply voltage, $V_{CC}$	4.5	5	5.5	V
Tuning supply voltage, $V_{TU}$		30	33	V
Output current of band switch, $I_{BS}$			10	mA
				One port on
Operating free-air temperature, $T_A$	–20		85	°C

## Electrical Characteristics – Total Device and Serial Interface

$V_{CC} = 4.5\text{ V to }5.5\text{ V}$ ,  $T_A = -20^\circ\text{C to }85^\circ\text{C}$  (unless otherwise noted)

PARAMETER		TEST CONDITIONS	MIN	TYP	MAX	UNIT
$I_{CC1}$	Supply current 1			60		mA
$I_{CC2}$	Supply current 2	One band switch on ( $I_{BS} = 10\text{ mA}$ )		70		mA
$V_{IH}$	High-level input voltage (SCL, SDA)		2.8		$V_{CC}$	V
$V_{IL}$	Low-level input voltage (SCL, SDA)				1.4	V
$I_{IH}$	High-level input current (SCL, SDA)				10	$\mu\text{A}$
$I_{IL}$	Low-level input current (SCL, SDA)		-10			$\mu\text{A}$
$V_{POR}$	Power-on-reset supply voltage (threshold of supply voltage between reset and operation mode)		2.1	2.8	3.6	V
<b>I<sup>2</sup>C Interface</b>						
$V_{ASH}$	Address-select high-input voltage (AS)	$V_{CC} = 5\text{ V}$	4.5		5	V
$V_{ASM1}$	Address-select mid1-input voltage (AS)	$V_{CC} = 5\text{ V}$	2		3	V
$V_{ASM2}$	Address-select mid2-input voltage (AS)	$V_{CC} = 5\text{ V}$	1		1.5	V
$V_{ASL}$	Address-select low-input voltage (AS)	$V_{CC} = 5\text{ V}$			0.5	V
$I_{ASH}$	Address-select high-input current (AS)	$V_{CC} = 5\text{ V}$ , $T_A = 25^\circ\text{C}$			140	$\mu\text{A}$
$I_{ASL}$	Address-select low-input current (AS)	$V_{CC} = 5\text{ V}$ , $T_A = 25^\circ\text{C}$	-50			$\mu\text{A}$
$V_{ADC}$	ADC input voltage	See <a href="#">Table 8</a>	0		$V_{CC}$	V
$I_{ADH}$	ADC high-level input current	$V_{ADC} = V_{CC}$			10	$\mu\text{A}$
$I_{ADL}$	ADC low-level input current	$V_{ADC} = 0\text{ V}$	-50			$\mu\text{A}$
$V_{OL}$	Low-level output voltage (SDA)	$V_{CC} = 5\text{ V}$ , $I_{OL} = 3\text{ mA}$			0.4	V
$I_{SDAH}$	High-level output leakage current (SDA)	$V_{SDA} = 5.5\text{ V}$			10	$\mu\text{A}$
$f_{SCL}$	Clock frequency (SCL)			100	400	kHz
<b>I<sup>2</sup>C Timing (see <a href="#">Figure 17</a>)</b>						
$t_{hd(DAT)}$	Data hold time		0			$\mu\text{s}$
$t_{(BUF)}$	Bus free time		1.3			$\mu\text{s}$
$t_{hd(STA)}$	Start hold time		0.6			$\mu\text{s}$
$t_{(Low)}$	SCL-low hold time		1.3			$\mu\text{s}$
$t_{(High)}$	SCL-high hold time		0.6			$\mu\text{s}$
$t_{su(STA)}$	Start setup time		0.6			$\mu\text{s}$
$t_{su(DAT)}$	Data setup time		0.1			$\mu\text{s}$
$t_r$	SCL, SDA rise time				0.3	$\mu\text{s}$
$t_f$	SCL, SDA fall time				0.3	$\mu\text{s}$
$t_{su(STO)}$	Stop setup time		0.6			$\mu\text{s}$

**Electrical Characteristics – PLL and Band Switch**

$V_{CC} = 4.5\text{ V to }5.5\text{ V}$ ,  $T_A = -20^\circ\text{C to }85^\circ\text{C}$  (unless otherwise noted)

PARAMETER		TEST CONDITIONS	MIN	TYP	MAX	UNIT
N	Divider ratio	15-bit frequency word	256		32767	
$f_{XTAL}$	Crystal oscillator frequency	$R_{XTAL} = 25\ \Omega$ to $300\ \Omega$	3.2	4	4.48	MHz
$Z_{XTAL}$	Crystal oscillator input impedance			1.6		k $\Omega$
$V_{IXTAL2}$	Minimum reference input sensitivity (XTAL)	4 MHz, ac coupling with 0.1- $\mu$ F capacitor			100	mVp-p
$V_{VTUL}$	Tuning amplifier low-level output voltage	$R_L = 22\text{ k}\Omega$ , $V_{TU} = 33\text{ V}$		0.4	0.5	V
$I_{VTUOFF}$	Tuning amplifier leakage current (off)	OS = 1, $V_{TU} = 33\text{ V}$			10	$\mu$ A
$I_{CPH}$	Charge-pump high-level input current	CP = 1		280		$\mu$ A
$I_{CPL}$	Charge-pump low-level input current	CP = 0		60		$\mu$ A
$V_{CP}$	Charge-pump output voltage	PLL locked		1.95		V
$I_{CPOFF}$	Charge-pump leakage current	T2 = 0, T1 = 1, $V_{CP} = 2\text{ V}$ , $T_A = 25^\circ\text{C}$	-15		15	nA
$I_{BS}$	Band-switch driver output current				10	mA
$V_{BS1}$	Band-switch driver output voltage	$I_{BS} = 10\text{ mA}$	3			V
$V_{BS2}$		$I_{BS} = 10\text{ mA}$ , $V_{CC} = 5\text{ V}$ , $T_A = 25^\circ\text{C}$	3.5	3.9		
$I_{BSOFF}$	Band-switch driver leakage current	$V_{BS} = 0\text{ V}$			3	$\mu$ A



## Electrical Characteristics – Mixer, Oscillator, IF Amplifier

$V_{CC} = 5\text{ V}$ ,  $T_A = 25^\circ\text{C}$ , measured in [Figure 18](#) reference measurement circuit at 50- $\Omega$  system, IF filter characteristics:  $f_{peak} = 43\text{ MHz}$  (unless otherwise noted)

PARAMETER		TEST CONDITIONS	MIN	TYP	MAX	UNIT
$G_{c11}$	Conversion gain 1 (mixer-IF amplifier), VHF-LOW	$f_{in} = 58\text{ MHz}^{(1)}$	22	25	28	dB
$G_{c13}$		$f_{in} = 130\text{ MHz}^{(1)}$	22	25	28	
$G_{c14}$	Conversion gain 1 (mixer-IF amplifier), VHF-HIGH	$f_{in} = 136\text{ MHz}^{(1)}$	22	25	28	dB
$G_{c16}$		$f_{in} = 364\text{ MHz}^{(1)}$	22	25	28	
$G_{c17}$	Conversion gain 1 (mixer-IF amplifier), UHF	$f_{in} = 370\text{ MHz}^{(1)}$	26	29	32	dB
$G_{c19}$		$f_{in} = 804\text{ MHz}^{(1)}$	25	28	31	
$G_{c21}$	Conversion gain 2 (mixer-IF amplifier), VHF-LOW	$f_{in} = 58\text{ MHz}^{(2)}$	16	19	22	dB
$G_{c23}$		$f_{in} = 130\text{ MHz}^{(2)}$	16	19	22	
$G_{c24}$	Conversion gain 2 (mixer-IF amplifier), VHF-HIGH	$f_{in} = 136\text{ MHz}^{(2)}$	16	19	22	dB
$G_{c26}$		$f_{in} = 364\text{ MHz}^{(2)}$	16	19	22	
$G_{c27}$	Conversion gain 2 (mixer-IF amplifier), UHF	$f_{in} = 370\text{ MHz}^{(2)}$	20	23	26	dB
$G_{c29}$		$f_{in} = 804\text{ MHz}^{(2)}$	19	22	25	
$NF_1$	Noise figure, VHF-LOW	$f_{in} = 55.25\text{ MHz}$		9.5		dB
$NF_3$		$f_{in} = 127.25\text{ MHz}$		9.5		
$NF_4$	Noise figure, VHF-HIGH	$f_{in} = 133.25\text{ MHz}$		10		dB
$NF_6$		$f_{in} = 361.25\text{ MHz}$		10		
$NF_7$	Noise figure, UHF	$f_{in} = 367.25\text{ MHz}$		11		dB
$NF_9$		$f_{in} = 801.25\text{ MHz}$		11		
$CM_1$	1% cross-modulation distortion, VHF-LOW	$f_{in} = 55.25\text{ MHz}^{(3)}$		89		dB $\mu$ V
$CM_3$		$f_{in} = 127.25\text{ MHz}^{(3)}$		89		
$CM_4$	1% cross-modulation distortion, VHF-HIGH	$f_{in} = 133.25\text{ MHz}^{(3)}$		86		dB $\mu$ V
$CM_6$		$f_{in} = 361.25\text{ MHz}^{(3)}$		86		
$CM_7$	1% cross-modulation distortion, UHF	$f_{in} = 367.25\text{ MHz}^{(3)}$		87		dB $\mu$ V
$CM_9$		$f_{in} = 801.25\text{ MHz}^{(3)}$		87		
$V_{IFO1}$	IF output voltage, VHF-LOW	$f_{in} = 55.25\text{ MHz}^{(4)}$		117		dB $\mu$ V
$V_{IFO3}$		$f_{in} = 127.25\text{ MHz}^{(4)}$		117		
$V_{IFO4}$	IF output voltage, VHF-HIGH	$f_{in} = 133.25\text{ MHz}^{(4)}$		117		dB $\mu$ V
$V_{IFO6}$		$f_{in} = 361.25\text{ MHz}^{(4)}$		117		
$V_{IFO7}$	IF output voltage, UHF	$f_{in} = 367.25\text{ MHz}^{(4)}$		117		dB $\mu$ V
$V_{IFO9}$		$f_{in} = 801.25\text{ MHz}^{(4)}$		117		
$\Phi_{OSC1}$	Phase noise, VHF-LOW	$f_{in} = 55.25\text{ MHz}^{(5)}$		88		dBc/Hz
$\Phi_{OSC3}$		$f_{in} = 127.25\text{ MHz}^{(5)}$		88		
$\Phi_{OSC4}$	Phase noise, VHF-HIGH	$f_{in} = 133.25\text{ MHz}^{(5)}$		86		dBc/Hz
$\Phi_{OSC6}$		$f_{in} = 361.25\text{ MHz}^{(5)}$		86		
$\Phi_{OSC7}$	Phase noise, UHF	$f_{in} = 367.25\text{ MHz}^{(5)}$		84		dBc/Hz
$\Phi_{OSC9}$		$f_{in} = 801.25\text{ MHz}^{(5)}$		84		
	Prescaler beat <sup>(6)</sup>				25	dB $\mu$ V

- (1) IF = 43 MHz, RF input level = 80 dB $\mu$ V (see [Figure 19](#))  
(2) IF = 43 MHz, RF input level = 80 dB $\mu$ V (see [Figure 20](#))  
(3)  $f_{undes} = f_{des} \pm 6\text{ MHz}$ ,  $P_{in} = 80\text{ dB}\mu\text{V}$ , AM 1 kHz, 30%, DES/CM = S/I = 46 dB  
(4) IF = 45.75 MHz  
(5) Offset = 10 kHz, RF input level = 70 dB $\mu$ V  
(6) Design parameter, not tested

## FUNCTIONAL DESCRIPTION

### I<sup>2</sup>C Bus Mode

#### I<sup>2</sup>C Write Mode ( $R/\overline{W} = 0$ )

Table 1. Write Data Format

	MSB							LSB	
Address byte (ADB)	1	1	0	0	0	MA1	MA0	R/ $\overline{W}$ = 0	A <sup>(1)</sup>
Divider byte 1 (DB1)	0	N14	N13	N12	N11	N10	N9	N8	A <sup>(1)</sup>
Divider byte 2 (DB2)	N7	N6	N5	N4	N3	N2	N1	N0	A <sup>(1)</sup>
Control byte (CB)	1	CP	T2	T1	T0	RSA	RSB	OS	A <sup>(1)</sup>
Band-switch byte (BB)	X	X	X	X	BS4	BS3	BS2	BS1	A <sup>(1)</sup>

(1) A = Acknowledge

Table 2. Write Data Symbol Description

SYMBOL	DESCRIPTION	DEFAULT
MA[1:0]	Address-set bits (see <a href="#">Table 3</a> )	
N[14:0]	Programmable counter set bits $N = N14 \times 2^{14} + N13 \times 2^{13} + \dots + N1 \times 2 + N0$ Oscillation frequency = $f_r \times 8 \times N$ $f_r$ = Reference frequency = 4 MHz/Reference divider	N14 = N13 = N12 = ... = N0 = 0
CP	Charge-pump current-set bit 60 $\mu$ A (CP = 0), 280 $\mu$ A (CP = 1)	CP = 1
T[2:0]	Test bits (see <a href="#">Table 4</a> ) Normal mode: T2 = 0, T1 = 0, T0 = 1/0	T[2:0] = 001
RSA, RSB	Reference divider ratio selection bits (see <a href="#">Table 5</a> )	RSA = 0, RSB = 1
OS	Tuning amplifier control bit Tuning voltage on (OS = 0) Tuning voltage off, high impedance (OS = 1)	OS = 0
BS[4:1]	Band-switch control bits BSn = 0: Tr = OFF    BSn = 1: Tr = ON Band selection by BS1, BS2, BS4 <b>BS1(VL)   BS2(VH)   BS4(U)</b> 1        0        0    VHF-LO X        1        0    VHF-HI X        X        1    UHF	BSn = 0
X	Don't care	

**Table 3. Address Selection**

MA1	MA0	VOLTAGE APPLIED ON AS INPUT
0	0	LOW: 0 V to 0.1 V <sub>CC</sub>
0	1	MID2: open, or 0.2 V <sub>CC</sub> to 0.3 V <sub>CC</sub>
1	0	MID1: 0.4 V <sub>CC</sub> to 0.6 V <sub>CC</sub>
1	1	HIGH: 0.9 V <sub>CC</sub> to V <sub>CC</sub>

**Table 4. Test Bits <sup>(1)</sup>**

T2	T1	T0	DEVICE OPERATION	NOTE
0	0	0	Normal operation	
0	0	1	Normal operation	Default
0	1	X	Charge pump is off.	
1	1	0	Charge pump is sink.	
1	1	1	Charge pump is source.	
1	0	X	Test mode	ADC not available

(1) Not used for other bit patterns

**Table 5. Reference Divider Ratio**

RSA	RSB	REFERENCE DIVIDER RATIO
X	0	640
0	1	1024
1	1	512

## I<sup>2</sup>C Read Mode (R/W = 1)

**Table 6. Read Data Format**

	MSB						LSB		
Address byte (ADB)	1	1	0	0	0	MA1	MA0	R/W = 1	A <sup>(1)</sup>
Status byte (SB)	POR	FL	1	1	1	A2	A1	A0	–

(1) A = Acknowledge

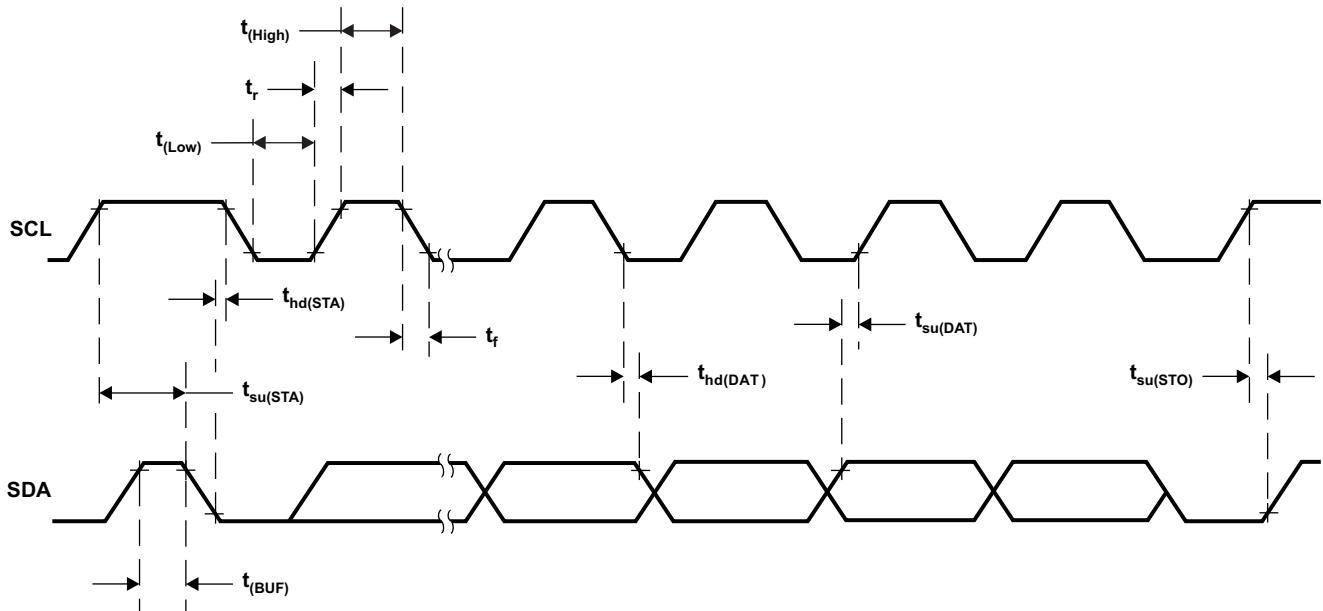
**Table 7. Read Data Symbol Description**

SYMBOL	DESCRIPTION	DEFAULT
MA[1:0]	Address-set bits (see <a href="#">Table 3</a> )	
POR	Power-on-reset flag POR set: Power on POR reset: End-of-data transmission procedure	POR = 1
FL	In-lock flag PLL locked (FL = 1), PLL unlocked (FL = 0)	
A[2:0]	Digital data of ADC (see <a href="#">Table 8</a> )	

**Table 8. ADC Level**

A2	A1	A0	VOLTAGE APPLIED ON ADC INPUT <sup>(1)</sup>
1	0	0	0.6 V <sub>CC</sub> to V <sub>CC</sub>
0	1	1	0.45 V <sub>CC</sub> to 0.6 V <sub>CC</sub>
0	1	0	0.3 V <sub>CC</sub> to 0.45 V <sub>CC</sub>
0	0	1	0.15 V <sub>CC</sub> to 0.3 V <sub>CC</sub>
0	0	0	0 V to 0.15 V <sub>CC</sub>

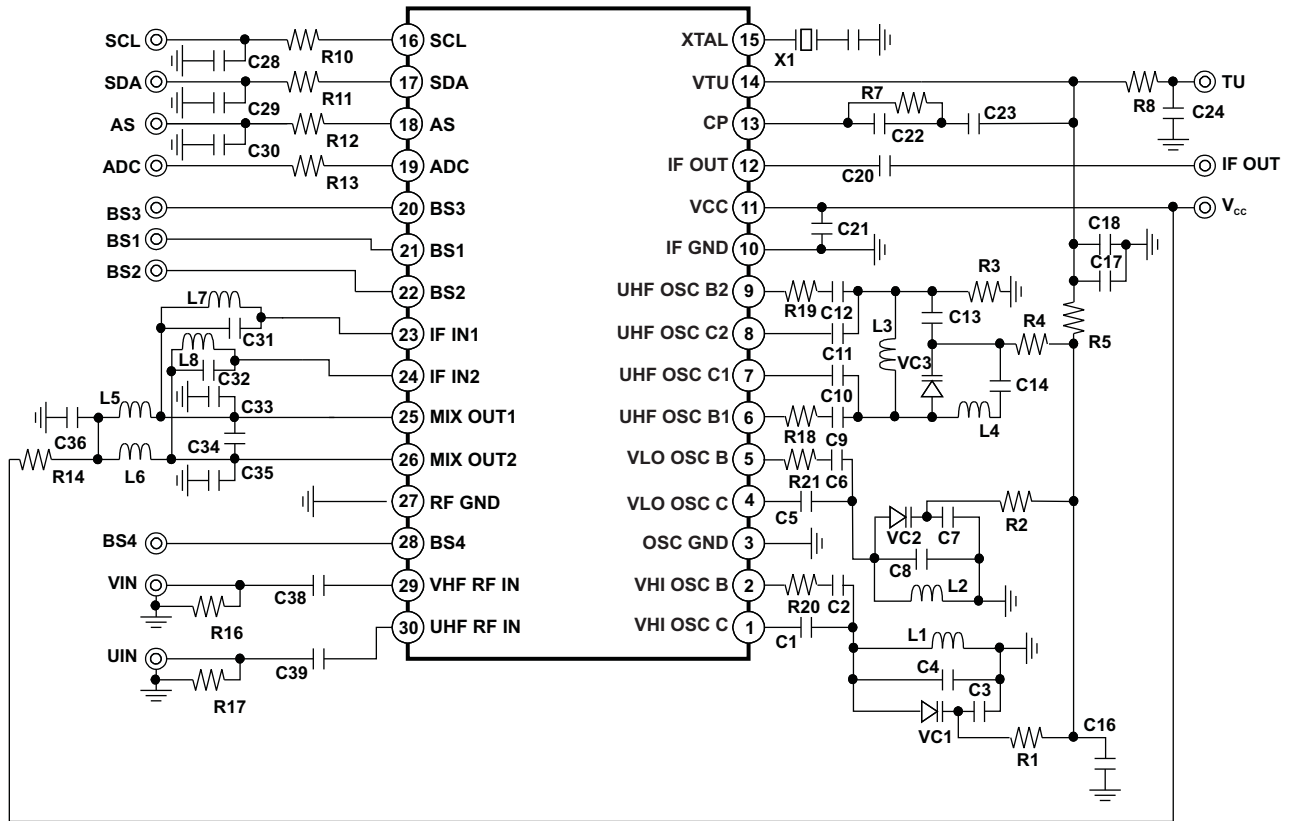
(1) Accuracy is  $0.03 \times V_{CC}$ .



T0101-01

**Figure 17. I<sup>2</sup>C Timing Chart**

**APPLICATION INFORMATION**



NOTE: This application information is advisory and a performance check is required for actual application circuits. TI assumes no responsibility for the consequences of the use of this circuit, nor for any infringement of patent or patent rights of third parties that may result from its use.

**Figure 18. Reference Measurement Circuit**

**APPLICATION INFORMATION (continued)**

**Component Values for Measurement Circuit**

PART NAME	VALUE	PART NAME	VALUE
C1	2 p	L1	φ2.4 mm 4T 0.4 mm
C2	2 p	L2	φ3.0 mm 8T 0.32 mm
C3	82 p	L3	φ3.0 mm 2T 0.4 mm
C4	Open	L4	φ2.0 mm 3T 0.4 mm
C5	2 p	L5	φ2.4 mm 16T 0.26 mm
C6	2 p	L6	φ2.4 mm 16T 0.26 mm
C7	47 p	L7	Open
C8	3 p	L8	Open
C9	1.5 p		
C10	1 p	R1	33 k
C11	1 p	R2	33 k
C12	1.5 p	R3	22 k
C13	12 p	R4	33 k
C14	100 p	R5	22 k
C16	2.2 nF/50 V	R7	22 k
C17	2.2 n/50 V	R8	22 k
C18	2.2 n/50 V	R10	330
C20	2.2 n	R11	330
C21	4.7 n	R12	330
C22	2.2 n	R13	Short
C23	0.1 μ/50 V	R14	Short
C24	2.2 n/50 V	R16	Open
C27	68 p	R17	Open
C28	Open	R18	20
C29	Open	R19	20
C30	Open	R20	20
C31	Short		
C32	Short		
C33	Open	U1	SN761678B
C34	22 pF		
C35	Open	VC1	1T363A
C36	4.7 n	VC2	1T363A
C38	2.2 n	VC3	1T363A
C39	2.2 n		
		X1	4 MHz

APPLICATION INFORMATION (CONTINUED)

Test Circuits

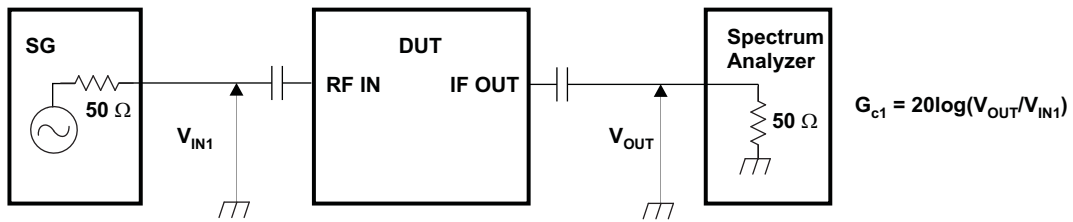


Figure 19. Measurement Circuit of Conversion Gain 1

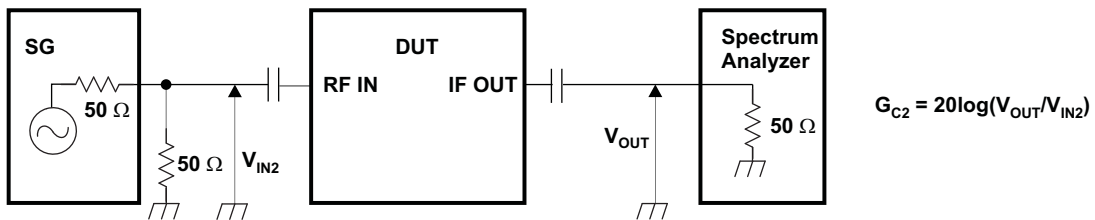


Figure 20. Measurement Circuit of Conversion Gain 2

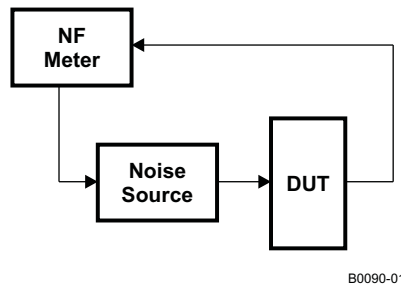


Figure 21. Noise-Figure Measurement Circuit

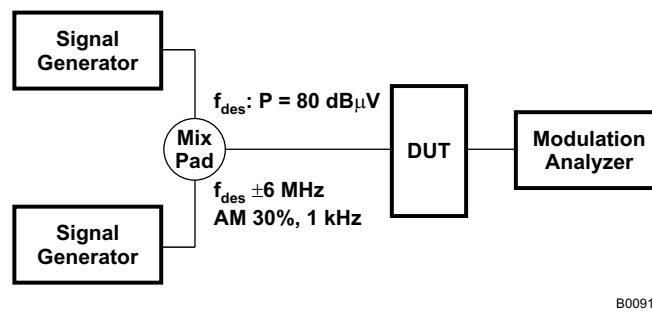


Figure 22. 1% Cross-Modulation-Distortion Measurement Circuit

TYPICAL CHARACTERISTICS

Band-Switch Driver Output Voltage (BS1–BS4)

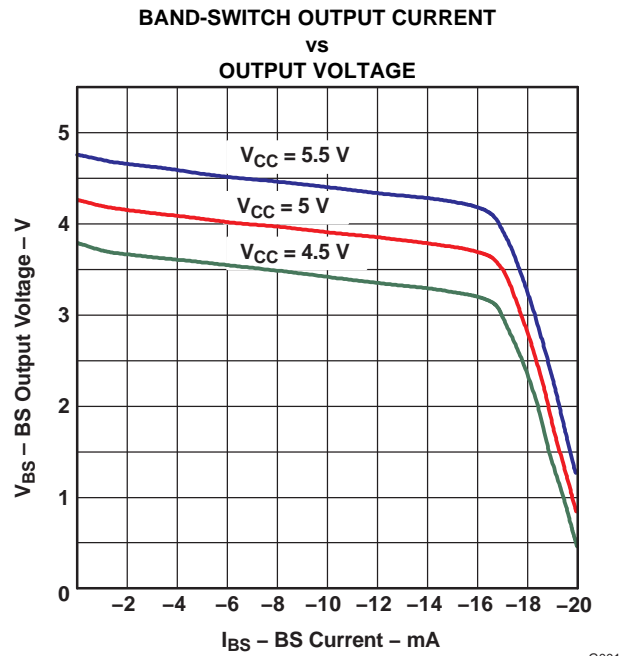


Figure 23. Band-Switch Driver Output Voltage

S-Parameter

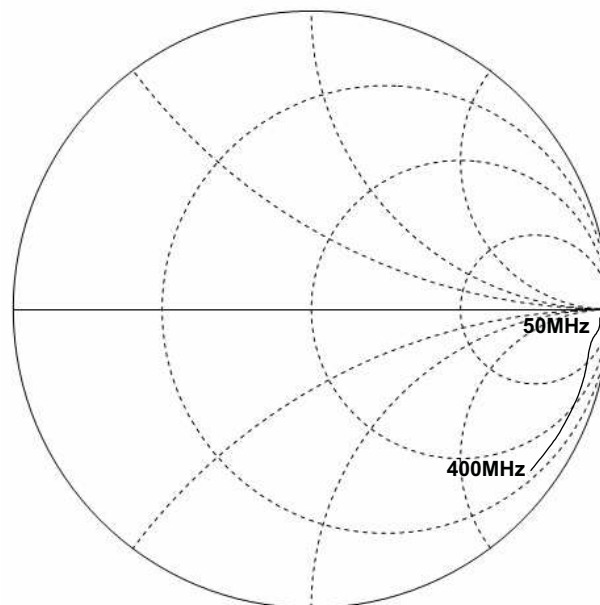


Figure 24. VHF Input



TYPICAL CHARACTERISTICS (continued)

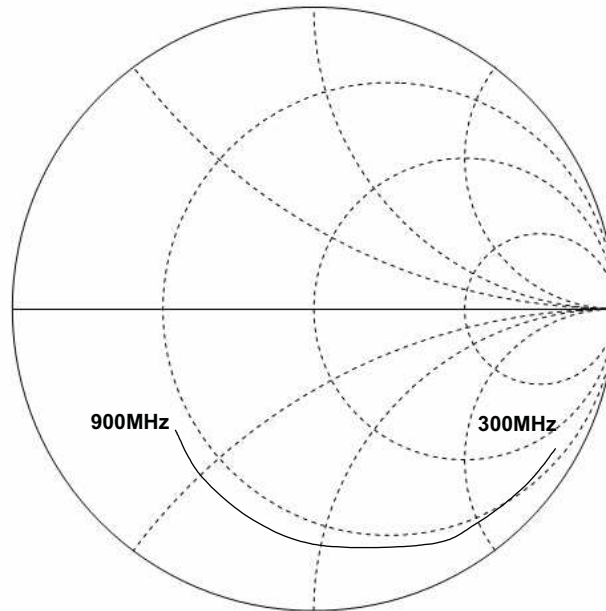


Figure 25. UHF Input

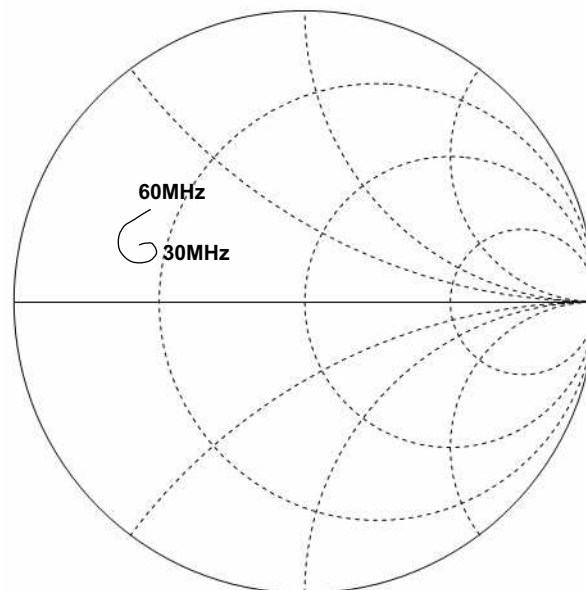


Figure 26. IF Output

**PACKAGING INFORMATION**

Orderable Device	Status <sup>(1)</sup>	Package Type	Package Drawing	Pins	Package Qty	Eco Plan <sup>(2)</sup>	Lead/Ball Finish	MSL Peak Temp <sup>(3)</sup>
SN761678BDBT	ACTIVE	SM8	DBT	30	60	TBD	Call TI	Call TI
SN761678BDBTG4	ACTIVE	SM8	DBT	30	60	TBD	Call TI	Call TI
SN761678BDBTR	ACTIVE	SM8	DBT	30	2000	Green (RoHS & no Sb/Br)	CU NIPDAU	Level-2-260C-1 YEAR
SN761678BDBTRG4	ACTIVE	SM8	DBT	30	2000	Green (RoHS & no Sb/Br)	CU NIPDAU	Level-2-260C-1 YEAR

<sup>(1)</sup> The marketing status values are defined as follows:

**ACTIVE:** Product device recommended for new designs.

**LIFEBUY:** TI has announced that the device will be discontinued, and a lifetime-buy period is in effect.

**NRND:** Not recommended for new designs. Device is in production to support existing customers, but TI does not recommend using this part in a new design.

**PREVIEW:** Device has been announced but is not in production. Samples may or may not be available.

**OBSOLETE:** TI has discontinued the production of the device.

<sup>(2)</sup> Eco Plan - The planned eco-friendly classification: Pb-Free (RoHS), Pb-Free (RoHS Exempt), or Green (RoHS & no Sb/Br) - please check <http://www.ti.com/productcontent> for the latest availability information and additional product content details.

**TBD:** The Pb-Free/Green conversion plan has not been defined.

**Pb-Free (RoHS):** TI's terms "Lead-Free" or "Pb-Free" mean semiconductor products that are compatible with the current RoHS requirements for all 6 substances, including the requirement that lead not exceed 0.1% by weight in homogeneous materials. Where designed to be soldered at high temperatures, TI Pb-Free products are suitable for use in specified lead-free processes.

**Pb-Free (RoHS Exempt):** This component has a RoHS exemption for either 1) lead-based flip-chip solder bumps used between the die and package, or 2) lead-based die adhesive used between the die and leadframe. The component is otherwise considered Pb-Free (RoHS compatible) as defined above.

**Green (RoHS & no Sb/Br):** TI defines "Green" to mean Pb-Free (RoHS compatible), and free of Bromine (Br) and Antimony (Sb) based flame retardants (Br or Sb do not exceed 0.1% by weight in homogeneous material)

<sup>(3)</sup> MSL, Peak Temp. -- The Moisture Sensitivity Level rating according to the JEDEC industry standard classifications, and peak solder temperature.

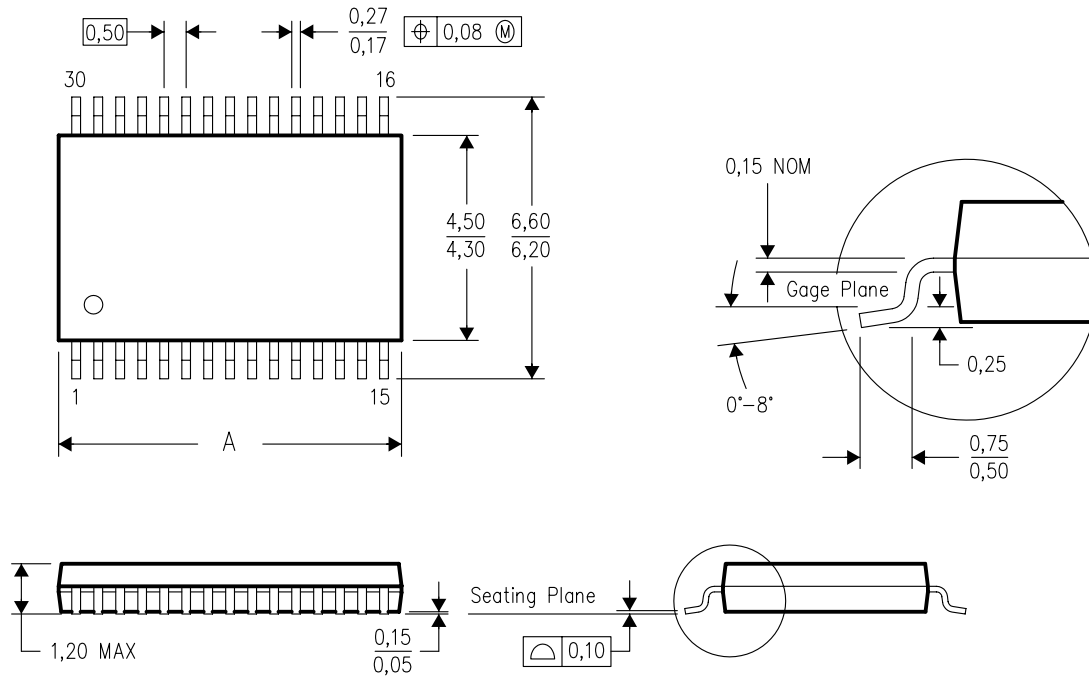
**Important Information and Disclaimer:**The information provided on this page represents TI's knowledge and belief as of the date that it is provided. TI bases its knowledge and belief on information provided by third parties, and makes no representation or warranty as to the accuracy of such information. Efforts are underway to better integrate information from third parties. TI has taken and continues to take reasonable steps to provide representative and accurate information but may not have conducted destructive testing or chemical analysis on incoming materials and chemicals. TI and TI suppliers consider certain information to be proprietary, and thus CAS numbers and other limited information may not be available for release.

In no event shall TI's liability arising out of such information exceed the total purchase price of the TI part(s) at issue in this document sold by TI to Customer on an annual basis.

DBT (R-PDSO-G\*\*)

30 PINS SHOWN

PLASTIC SMALL-OUTLINE PACKAGE



DIM \ PINS **	20	24	28	30	38	44	50
A MAX	5,10	6,60	7,90	7,90	9,80	11,40	12,60
A MIN	4,90	6,40	7,70	7,70	9,60	11,20	12,40

4073252/F 09/05

- NOTES:
- A. All linear dimensions are in millimeters.
  - B. This drawing is subject to change without notice.
  - C. Body dimensions do not include mold flash or protrusion.
  - D. Falls within JEDEC MO-153 except 44 pin package length.

## IMPORTANT NOTICE

Texas Instruments Incorporated and its subsidiaries (TI) reserve the right to make corrections, modifications, enhancements, improvements, and other changes to its products and services at any time and to discontinue any product or service without notice. Customers should obtain the latest relevant information before placing orders and should verify that such information is current and complete. All products are sold subject to TI's terms and conditions of sale supplied at the time of order acknowledgment.

TI warrants performance of its hardware products to the specifications applicable at the time of sale in accordance with TI's standard warranty. Testing and other quality control techniques are used to the extent TI deems necessary to support this warranty. Except where mandated by government requirements, testing of all parameters of each product is not necessarily performed.

TI assumes no liability for applications assistance or customer product design. Customers are responsible for their products and applications using TI components. To minimize the risks associated with customer products and applications, customers should provide adequate design and operating safeguards.

TI does not warrant or represent that any license, either express or implied, is granted under any TI patent right, copyright, mask work right, or other TI intellectual property right relating to any combination, machine, or process in which TI products or services are used. Information published by TI regarding third-party products or services does not constitute a license from TI to use such products or services or a warranty or endorsement thereof. Use of such information may require a license from a third party under the patents or other intellectual property of the third party, or a license from TI under the patents or other intellectual property of TI.

Reproduction of information in TI data books or data sheets is permissible only if reproduction is without alteration and is accompanied by all associated warranties, conditions, limitations, and notices. Reproduction of this information with alteration is an unfair and deceptive business practice. TI is not responsible or liable for such altered documentation.

Resale of TI products or services with statements different from or beyond the parameters stated by TI for that product or service voids all express and any implied warranties for the associated TI product or service and is an unfair and deceptive business practice. TI is not responsible or liable for any such statements.

Following are URLs where you can obtain information on other Texas Instruments products and application solutions:

<b>Products</b>		<b>Applications</b>	
Amplifiers	<a href="http://amplifier.ti.com">amplifier.ti.com</a>	Audio	<a href="http://www.ti.com/audio">www.ti.com/audio</a>
Data Converters	<a href="http://dataconverter.ti.com">dataconverter.ti.com</a>	Automotive	<a href="http://www.ti.com/automotive">www.ti.com/automotive</a>
DSP	<a href="http://dsp.ti.com">dsp.ti.com</a>	Broadband	<a href="http://www.ti.com/broadband">www.ti.com/broadband</a>
Interface	<a href="http://interface.ti.com">interface.ti.com</a>	Digital Control	<a href="http://www.ti.com/digitalcontrol">www.ti.com/digitalcontrol</a>
Logic	<a href="http://logic.ti.com">logic.ti.com</a>	Military	<a href="http://www.ti.com/military">www.ti.com/military</a>
Power Mgmt	<a href="http://power.ti.com">power.ti.com</a>	Optical Networking	<a href="http://www.ti.com/opticalnetwork">www.ti.com/opticalnetwork</a>
Microcontrollers	<a href="http://microcontroller.ti.com">microcontroller.ti.com</a>	Security	<a href="http://www.ti.com/security">www.ti.com/security</a>
Low Power Wireless	<a href="http://www.ti.com/lpw">www.ti.com/lpw</a>	Telephony	<a href="http://www.ti.com/telephony">www.ti.com/telephony</a>
		Video & Imaging	<a href="http://www.ti.com/video">www.ti.com/video</a>
		Wireless	<a href="http://www.ti.com/wireless">www.ti.com/wireless</a>

Mailing Address: Texas Instruments  
Post Office Box 655303 Dallas, Texas 75265