

September 2005

The SP8400 is a very low phase noise programmable divider which is based on a divide by 8/9 dual modulus prescaler and a 12 stage control counter. This gives a minimum division ratio of 56 (64 for fractional - N synthesis applications), and a maximum division ratio of 4103. Special circuit techniques have been used to reduce the phase noise considerably below that produced by standard dividers. The data inputs are CMOS or TTL compatible.

The SP8400 is packaged in a 28 pin plastic SO package.

FEATURES

- Very low Phase Noise (Typically -156dBc/Hz at 1kHz offset)
- Supply Voltage 5V

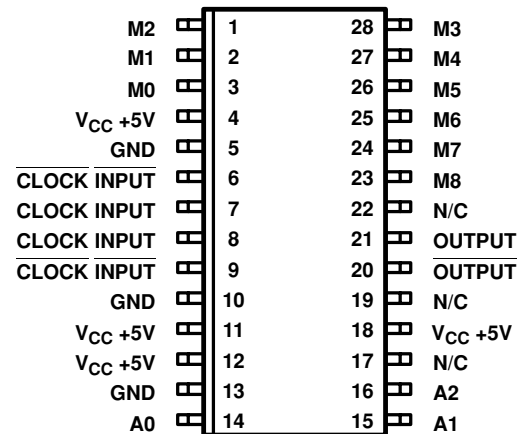
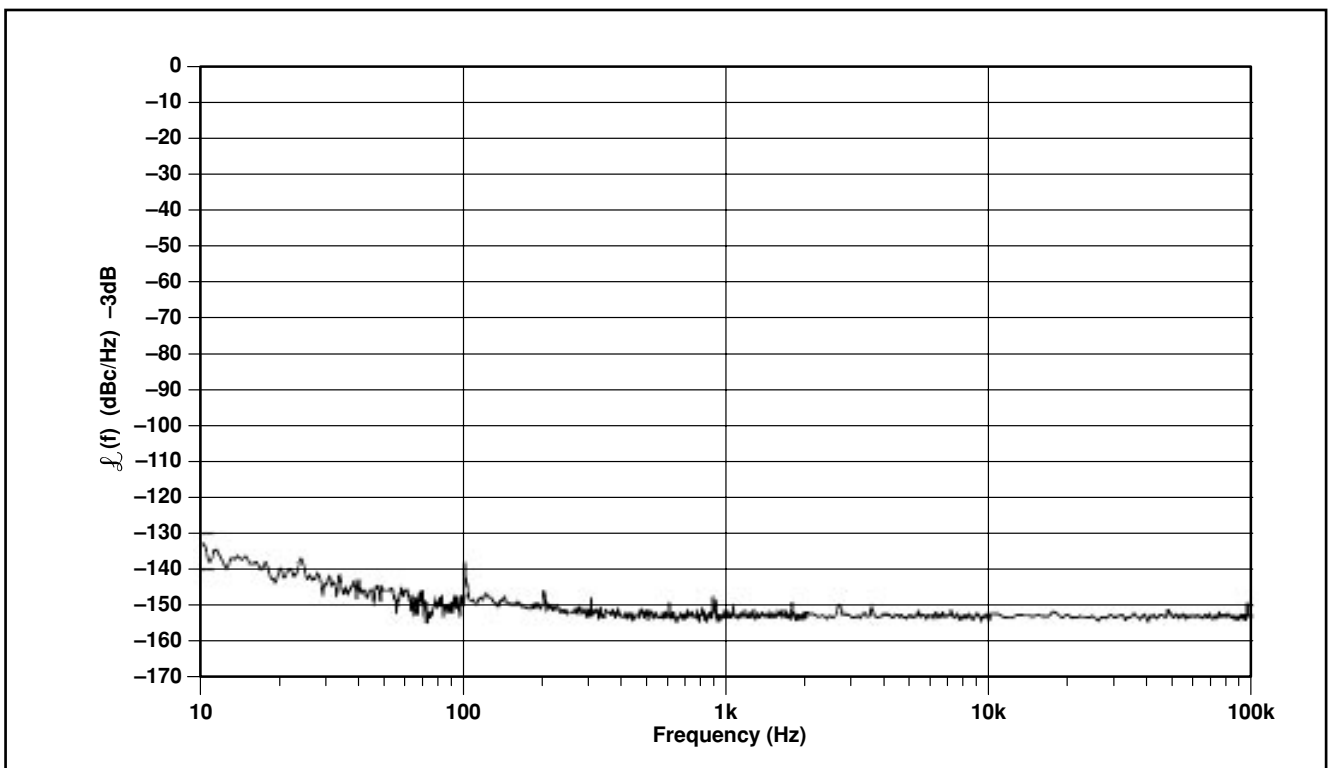
ABSOLUTE MAXIMUM RATINGS

Supply Voltage	6.5V
Output Current	20mA
Storage Temperature Range	-55°C to +125°C
Maximum Clock Input Voltage	2.5V p-p

Ordering Information

SP8400/KG/MPES	28 Pin SOIC	Tubes
SP8400/KG/MPFP	28 Pin SOIC*	Tubes

*Pb Free Matte Tin


MP28
Fig.1 Pin connections - top view

Fig.2 Typical single sideband phase noise measured at 300MHz

SP8400

ELECTRICAL CHARACTERISTICS

Guaranteed over: Supply voltage $V_{CC} = +4.75V$ to $+5.25V$ Temperature $T_{amb} = -10^{\circ}C$ to $+75^{\circ}C$
 Tested at $+4.75V$ and $+5.25V$ at $T_{amb} = +25^{\circ}C$

Characteristic	Pin	Value			Units	Conditions
		Min.	Typ.	Max.		
Supply current	4, 11, 12, 18	122	137	152	mA	Output loaded with 300R See Fig.4 p-p @ 1.5GHz input \pm 71 mode See Fig.4 RMS Sine wave into 50 Ohms (dBm equivalent) See Fig.3
Output voltage swing	20, 21	320	410		mV	
Input sensitivity 200MHz to 1.5GHz	7, 8			140 (-4)	mV dBm	
Data Inputs						
Logic high voltage		2.2			V	5V Data input voltage
Low low voltage				0.8	V	
Input current				180	μA	

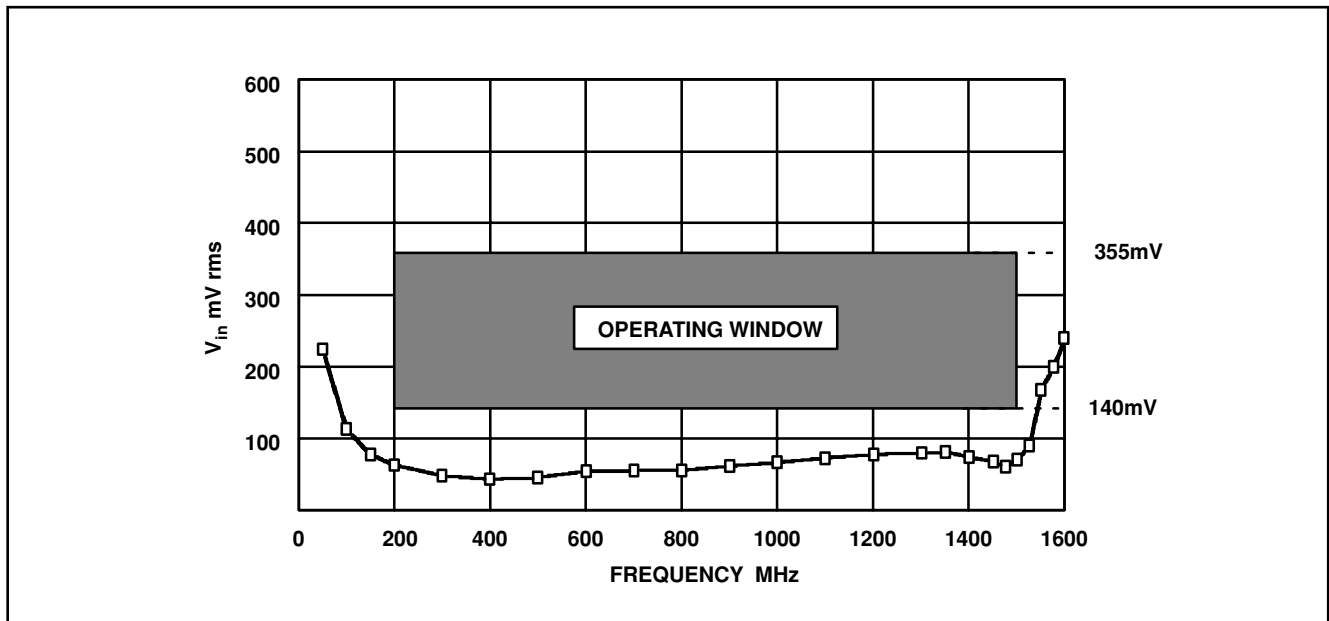


Fig.3 Typical input sensitivity

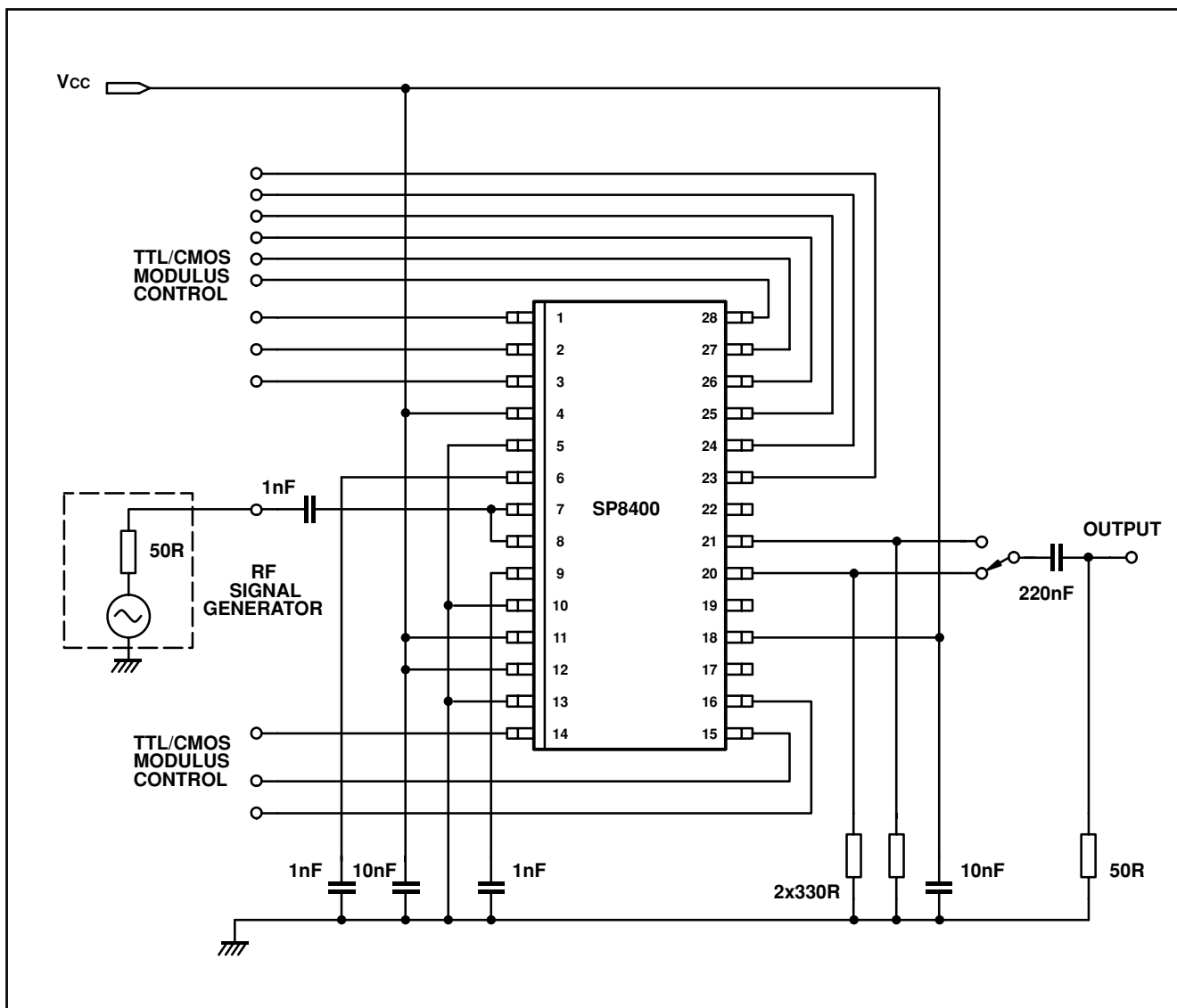


Fig.4 Test circuit

APPLICATIONS INFORMATION

Circuit description, synthesiser divider

The divider is based on a divide by 8/9 modulus prescaler, and a 12 stage control counter. This gives minimum fractional – N division ratio of 64 (56 for general division), and a maximum division ratio of 4103. The inputs to the control counter are TTL/CMOS compatible. There is a fixed offset of 8 between the number on the data lines and the actual division ratio.

The output is one transition only per divide cycle. This eliminates the problem of where to put the redundant edge when the divider is used in a fractional–N system, and also avoids the problem of how to define the output pulse width. This means that the overall division ratio conventionally defined in terms of the rate of edges of the same polarity is twice the selected division ratio.

Equations for division

The M and A data inputs form a 12 bit number with A0 being the least significant bit and M8 being the most significant bit.

Definition 1: Division ratio – (input frequency to output edges, positive or negative).

$$= \text{Number loaded} + 8$$

Definition 2: Division ratio – (input frequency to output frequency).

$$= (\text{Number loaded} + 8) \times 2$$

SP8400

Available division ratio

All division ratios of 64 to 4103 (Definition 1) will return the divider to the same internal state at the end of the count and hence these are the only divisional ratios to be used for fractional-N synthesiser application.

All division ratios of 56 to 4103 are available for general division purposes. Additional division ratios available for general division are:-

- 8,9
- 16, 17, 18
- 24, 25, 26, 27
- 32, 33, 34, 35, 36
- 40, 41, 42, 43, 44, 45
- 48, 49, 50, 51, 52, 53, 54

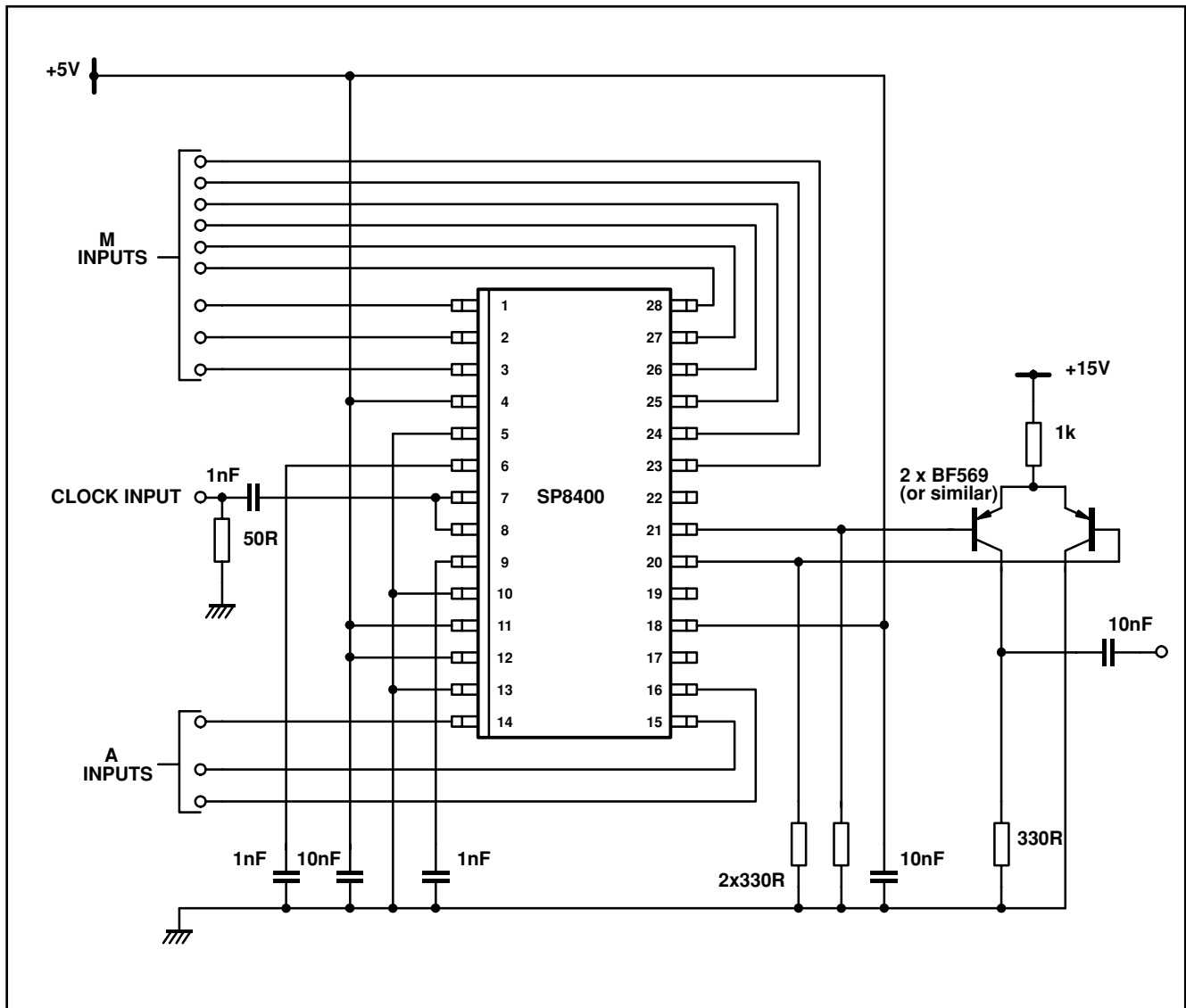


Fig.5 Typical application combining output to increase signal and retain low phase noise



**For more information about all Zarlink products
visit our Web Site at
www.zarlink.com**

Information relating to products and services furnished herein by Zarlink Semiconductor Inc. or its subsidiaries (collectively "Zarlink") is believed to be reliable. However, Zarlink assumes no liability for errors that may appear in this publication, or for liability otherwise arising from the application or use of any such information, product or service or for any infringement of patents or other intellectual property rights owned by third parties which may result from such application or use. Neither the supply of such information or purchase of product or service conveys any license, either express or implied, under patents or other intellectual property rights owned by Zarlink or licensed from third parties by Zarlink, whatsoever. Purchasers of products are also hereby notified that the use of product in certain ways or in combination with Zarlink, or non-Zarlink furnished goods or services may infringe patents or other intellectual property rights owned by Zarlink.

This publication is issued to provide information only and (unless agreed by Zarlink in writing) may not be used, applied or reproduced for any purpose nor form part of any order or contract nor to be regarded as a representation relating to the products or services concerned. The products, their specifications, services and other information appearing in this publication are subject to change by Zarlink without notice. No warranty or guarantee express or implied is made regarding the capability, performance or suitability of any product or service. Information concerning possible methods of use is provided as a guide only and does not constitute any guarantee that such methods of use will be satisfactory in a specific piece of equipment. It is the user's responsibility to fully determine the performance and suitability of any equipment using such information and to ensure that any publication or data used is up to date and has not been superseded. Manufacturing does not necessarily include testing of all functions or parameters. These products are not suitable for use in any medical products whose failure to perform may result in significant injury or death to the user. All products and materials are sold and services provided subject to Zarlink's conditions of sale which are available on request.

Purchase of Zarlink's I²C components conveys a licence under the Philips I²C Patent rights to use these components in and I²C System, provided that the system conforms to the I²C Standard Specification as defined by Philips.

Zarlink, ZL and the Zarlink Semiconductor logo are trademarks of Zarlink Semiconductor Inc.

Copyright Zarlink Semiconductor Inc. All Rights Reserved.

TECHNICAL DOCUMENTATION - NOT FOR RESALE
