

SP8690 200MHz ÷ 10/11

SP8691 200MHz ÷ 8/9

The SP8690 and SP8691 are low power ECL variable modulus dividers, with both ECL10K and TTL/CMOS compatible outputs. They divide by the lower division ratio when either of the ECL control inputs, PE1 or PE2, is in the high state and by the higher ratio when both are low (or open circuit).

FEATURES

- ECL and TTL/CMOS Compatible Outputs
- AC-Coupled Input
- Control Inputs ECL Compatible

QUICK REFERENCE DATA

- Supply Voltage: $-5.2V \pm 0.25V$ (ECL), $5V \pm 0.25V$ (TTL)
- Power Consumption: 70mW (Typ.)
- Temperature Range:
 - 55°C to +125°C (A Grade)
 - 30°C to +70°C (B Grade)

ABSOLUTE MAXIMUM RATINGS

Supply voltage, $ V_{CC} - V_{EE} $	8V
ECL output current	10mA
Storage temperature range	-65°C to +150°C
Max. junction temperature	+175°C
TTL output voltage	+12V
Input voltage	2.5V p-p
Max. open collector current	15mA

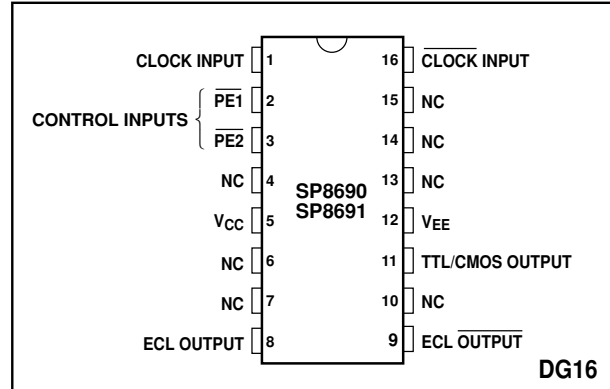


Fig. 1 Pin connections - top view

ORDERING INFORMATION

- SP8690 A DG
- SP8690 B DG
- SP8691 A DG
- 5962-87678 (SMD) (SP8690)

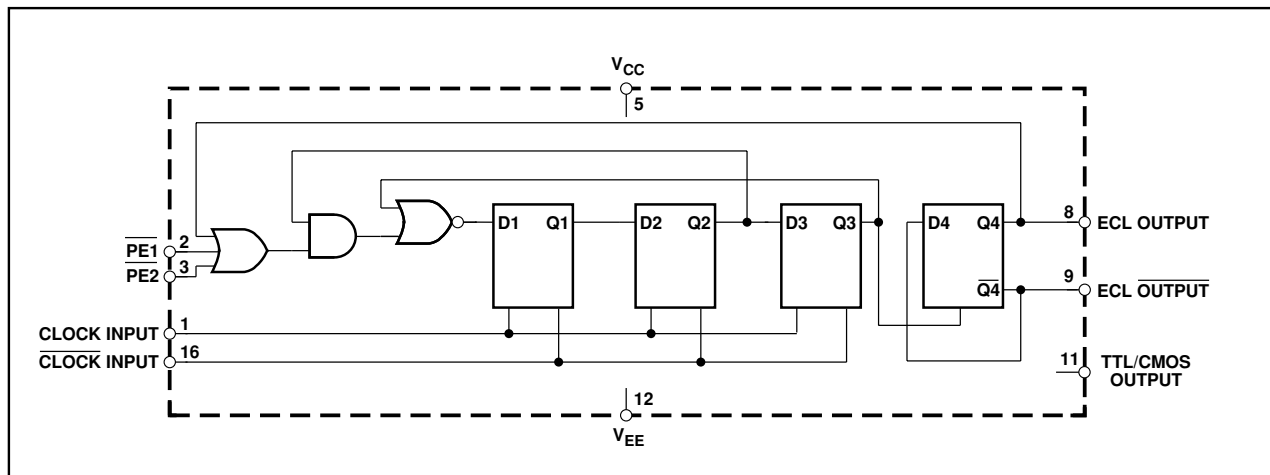


Fig. 2 Functional diagram (SP8690)

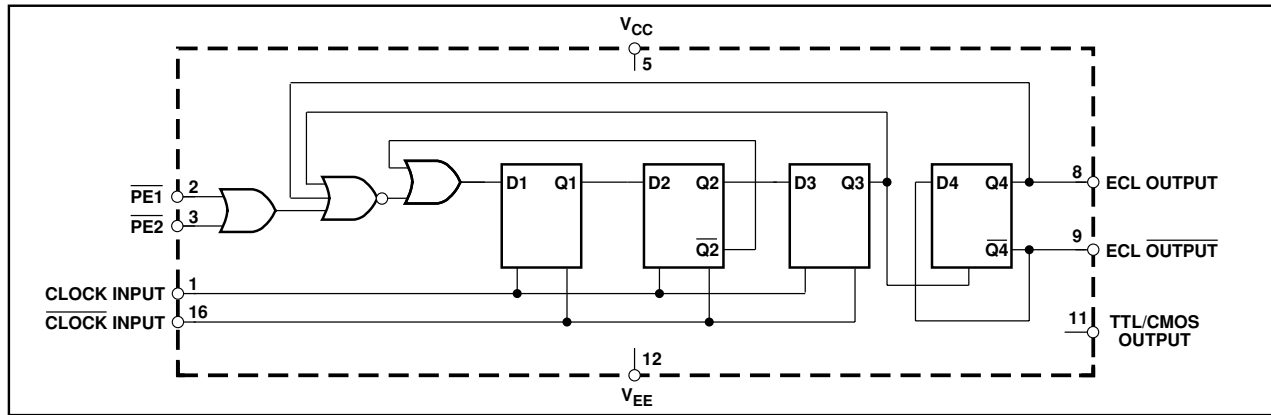


Fig. 3 Functional diagram (SP8691)

ELECTRICAL CHARACTERISTICS

Unless otherwise stated, the Electrical Characteristics are guaranteed over specified supply, frequency and temperature range

ECL OPERATION

Supply voltage, $V_{CC} = 0V$, $V_{EE} = -5.2V \pm 0.25V$
 Temperature, $T_{AMB} = -55^{\circ}C$ to $+125^{\circ}C$ (A Grade), $-30^{\circ}C$ to $+70^{\circ}C$ (B Grade)

Characteristic	Symbol	Value		Units	Conditions	Notes
		Min.	Max.			
Maximum frequency (sinewave input)	f_{MAX}	200		MHz	Input = 400-800mV p-p	5
Minimum frequency (sinewave input)	f_{MIN}		40	MHz	Input = 400-800mV p-p	5
Power supply current	I_{EE}		21	mA	$V_{EE} = -5.0V$	5
ECL output high voltage	V_{OH}	-0.85	-0.7	V	$V_{EE} = -5.2V$ (25°C)	
ECL output low voltage	V_{OL}	-1.8	-1.5	V	$V_{EE} = -5.2V$ (25°C)	
PE input high voltage	V_{INH}	-0.93		V	$V_{EE} = -5.2V$ (25°C)	
PE input low voltage	V_{INL}		-1.62	V	$V_{EE} = -5.2V$ (25°C)	
Clock to ECL output delay	t_p		9	ns		6
Set-up time	t_s	3		ns		3, 6
Release time	t_r	8		ns		4, 6

TTL OPERATION

Supply voltage, $V_{CC} = 5V \pm 0.25V$, $V_{EE} = 0V$
 Temperature, $T_{AMB} = -55^{\circ}C$ to $+125^{\circ}C$ (A Grade), $-30^{\circ}C$ to $+70^{\circ}C$ (B Grade)

Characteristic	Symbol	Value		Units	Conditions	Notes
		Min.	Max.			
Maximum frequency (sinewave input)	f_{MAX}	200		MHz	Input = 400-800mV p-p	5
Minimum frequency (sinewave input)	f_{MIN}		40	MHz	Input = 400-800mV p-p	5
Power supply current	I_{EE}		21	mA	$V_{CC} = 5.0V$	5
TTL output low voltage	V_{OL}		0.5	V	$V_{CC} = 5V$, $R_L = 560\Omega$	5, 7
TTL output high voltage	V_{OH}	3.75		V	$R_L = 560\Omega$	5, 7
Clock to TTL output high delay, +ve going	t_{PLH}		32	ns	$R_L = 560\Omega$	6
Clock to TTL output low delay, -ve going	t_{PHL}		18	ns	$R_L = 560\Omega$	6
Set-up time	t_s	3		ns		3, 6
Release time	t_r	8		ns		4, 6

NOTES

- The temperature coefficients of $V_{OH} = +1.63mV/^{\circ}C$, $V_{OL} = +0.94mV/^{\circ}C$ and of $V_{IN} = +1.22mV/^{\circ}C$.
- The test configuration for dynamic testing is shown in Fig.8
- The set-up time t_s is defined as the minimum time that can elapse between L→H transition of control input and the next L→H clock pulse transition to ensure that division by the lower modulus is obtained.
- The release time t_r is defined as the minimum time that can elapse between H→L transition of control input and the next L→H clock pulse transition to ensure that division by the higher modulus is obtained.
- SP8690/1B tested at 25°C only.
- Guaranteed but not tested.
- The open collector output is not recommended for use at output frequencies above 15MHz. $C_{LOAD} \leq 5pF$.

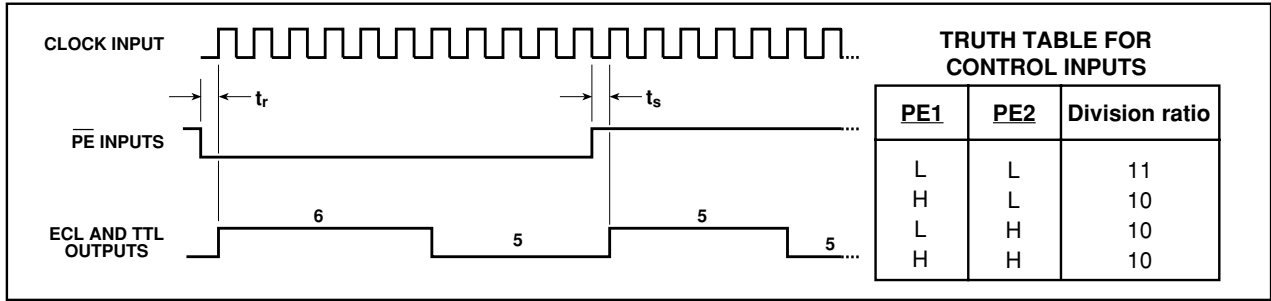


Fig. 4 Timing diagram, SP8690

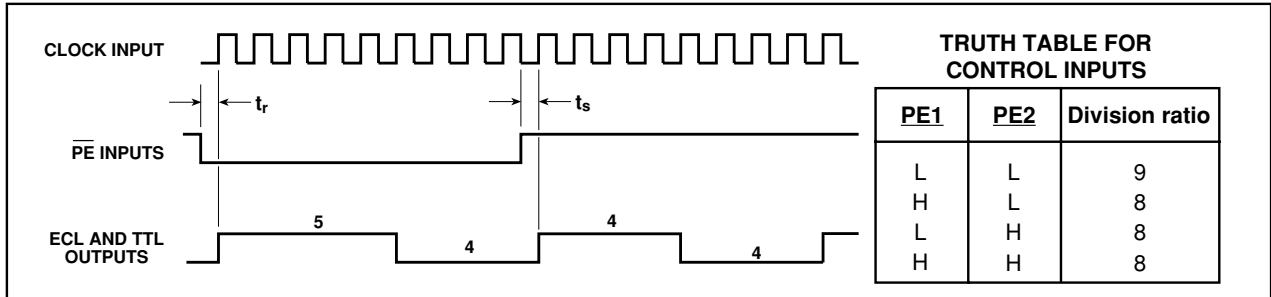


Fig. 5 Timing diagram, SP8691

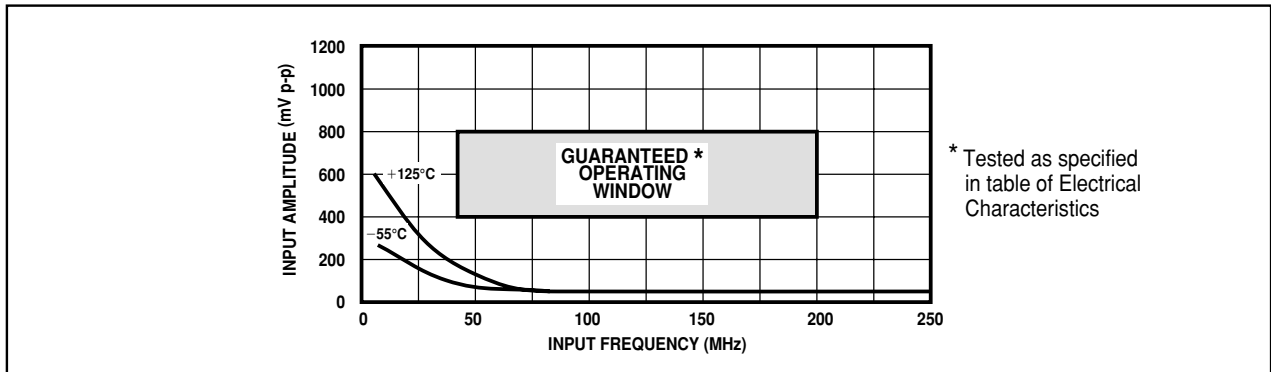


Fig. 6 Typical input characteristics, SP8690/1

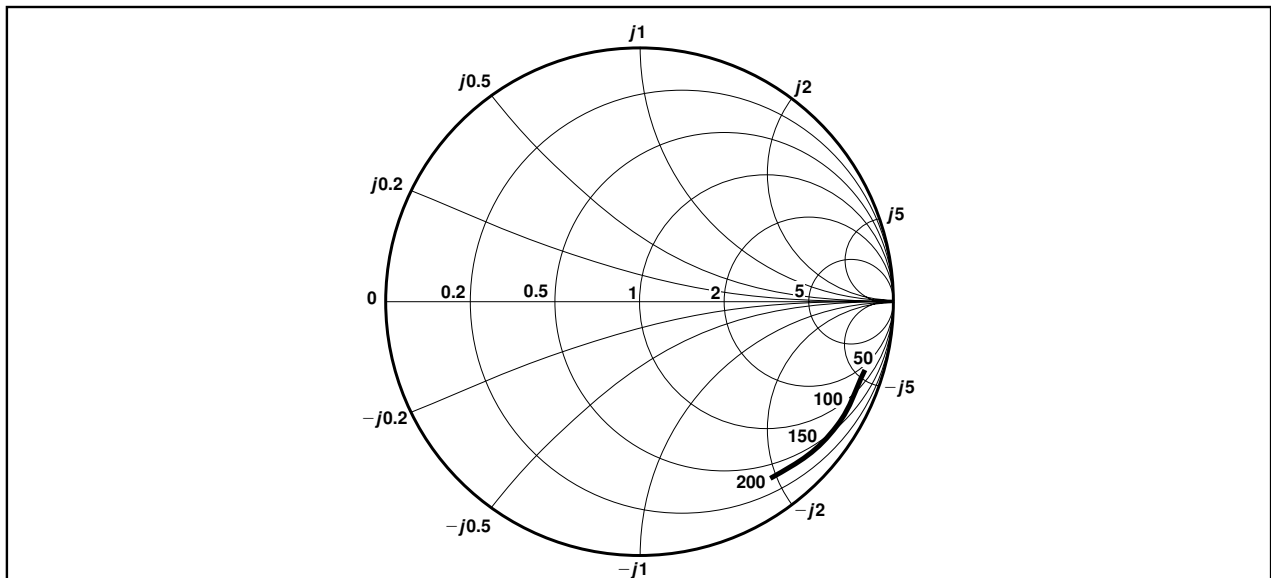


Fig. 7 Typical input impedance. Test conditions: Supply Voltage = 5.0V, Ambient Temperature = 25°C. Frequencies in MHz, impedances normalised to 50Ω.

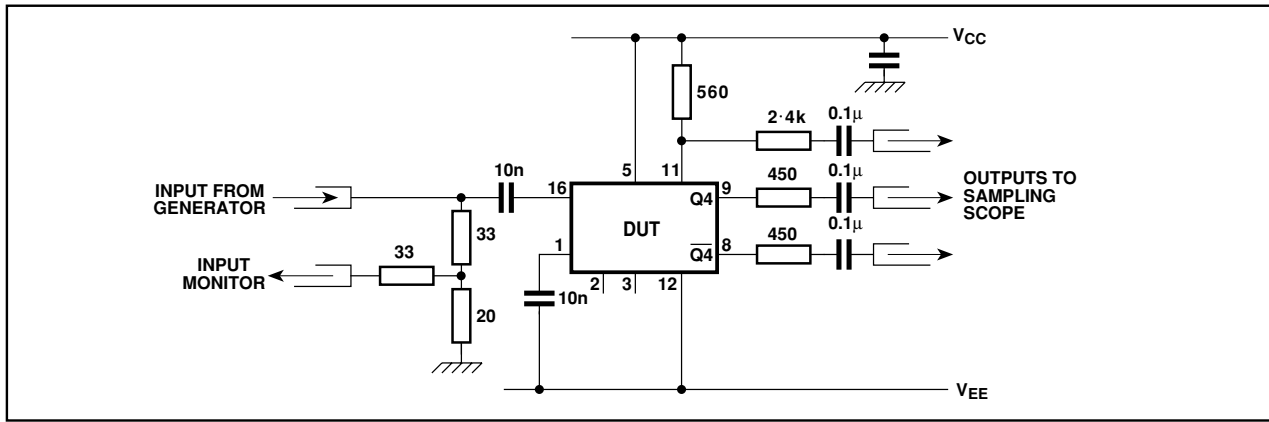


Fig. 8 Test circuit for dynamic measurements

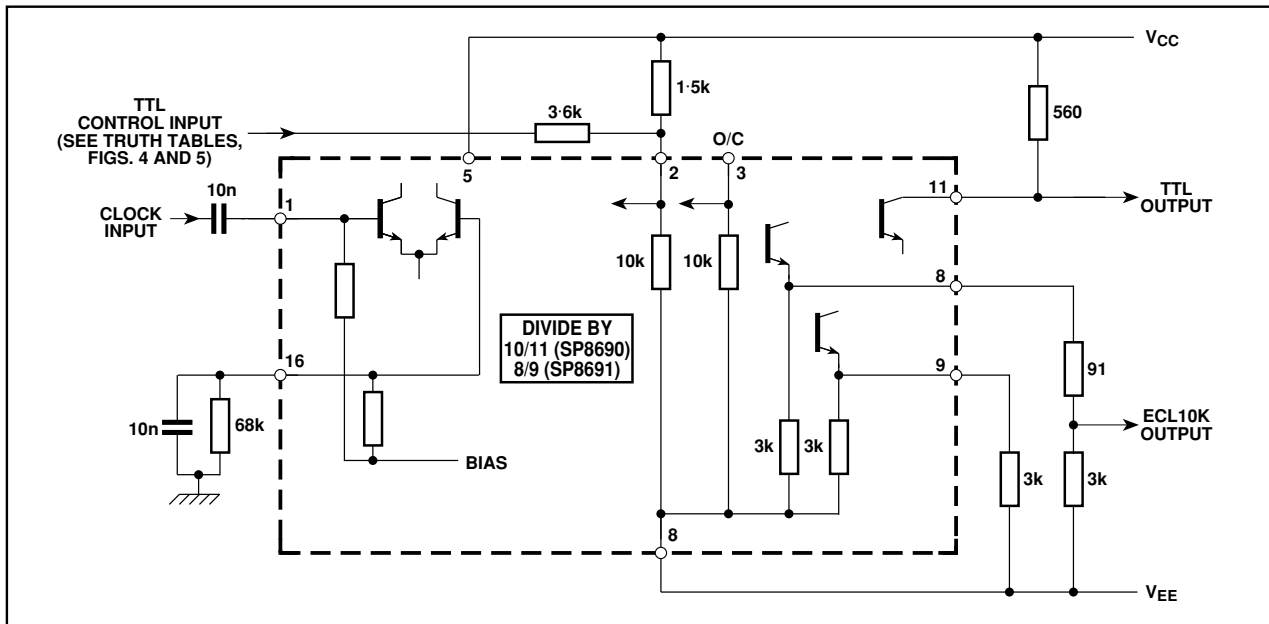


Fig. 9 Typical application showing interfacing.

OPERATING NOTES

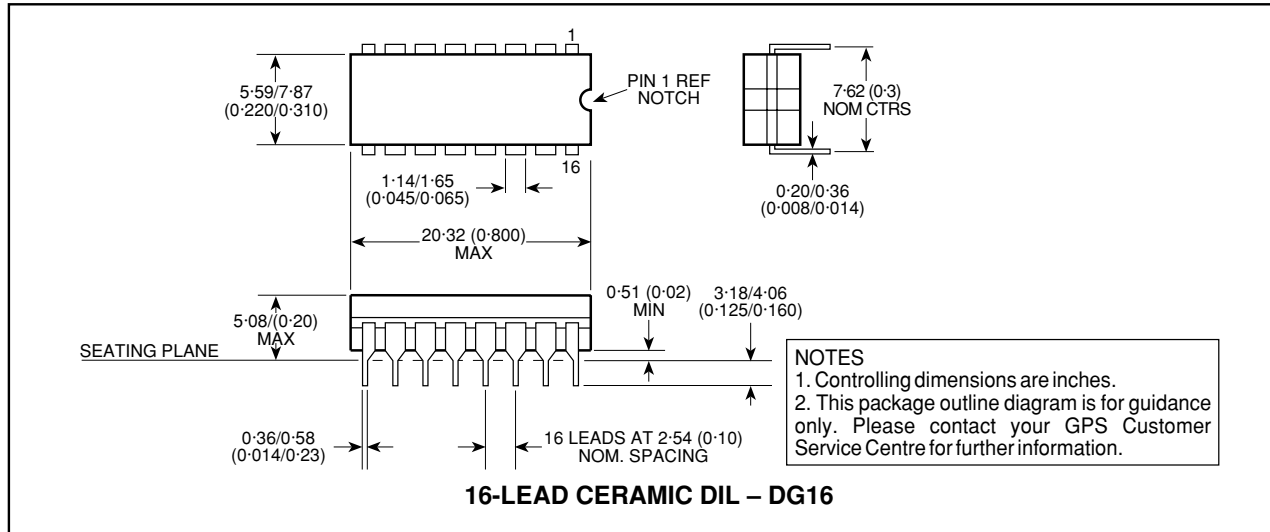
1. The clock inputs can be single or differentially driven. The clock input is biased internally and is coupled to the signal source with a suitable capacitor. The input signal path is completed by an input reference decoupling capacitor which is connected to ground.
2. In the absence of a signal the device will self-oscillate. If this is undesirable, it may be prevented by connecting a 68kΩ resistor from the input to V_{EE} i.e., from pin 1 or pin 16 in Fig. 9. This reduces the input sensitivity by approximately 100mV.
3. The circuit will operate down to DC but slew rate must be better than 100V/μs.
4. The Q₄ and Q₄ outputs are compatible with ECLII but can be interfaced to ECL10K as shown in Fig. 9.

5. The PE inputs are ECLIII/10K compatible and include internal 10kΩ pull-down resistors. Unused inputs can therefore be left open circuit.
6. The input impedance of the SP8690/1 varies as a function of frequency. See Fig. 7.
7. The TTL/CMOS output is a free collector and the high state output voltage will depend on the supply that the collector load is taken to. This should not exceed 12V.
8. The rise/fall time of the open collector output waveform is directly proportional to load capacitance and load resistor value. Therefore, load capacitance should be minimised and the load resistor kept to a minimum consistent with system power requirements. In the test configuration of Fig. 8 the output rise time is approximately 10ns and the fall time

NOTES

PACKAGE DETAILS

Dimensions are shown thus: mm (in).



HEADQUARTERS OPERATIONS
GEC PLESSEY SEMICONDUCTORS
 Cheney Manor, Swindon,
 Wiltshire SN2 2QW, United Kingdom.
 Tel: (0793) 518000
 Fax: (0793) 518411

GEC PLESSEY SEMICONDUCTORS
 P.O. Box 660017
 1500 Green Hills Road,
 Scotts Valley, CA95067-0017
 United States of America.
 Tel (408) 438 2900
 Fax: (408) 438 5576

CUSTOMER SERVICE CENTRES

- **FRANCE & BENELUX** Les Ulis Cedex Tel: (1) 64 46 23 45 Fax : (1) 64 46 06 07
- **GERMANY** Munich Tel: (089) 3609 06-0 Fax : (089) 3609 06-55
- **ITALY** Milan Tel: (02) 66040867 Fax: (02) 66040993
- **JAPAN** Tokyo Tel: (3) 5276-5501 Fax: (3) 5276-5510
- **NORTH AMERICA** Scotts Valley, USA Tel: (408) 438 2900 Fax: (408) 438 7023.
- **SOUTH EAST ASIA** Singapore Tel: (65) 3827708 Fax: (65) 3828872
- **SWEDEN** Stockholm Tel: 46 8 702 97 70 Fax: 46 8 640 47 36
- **UK, EIRE, DENMARK, FINLAND & NORWAY**
 Swindon Tel: (0793) 518510 Fax : (0793) 518582

These are supported by Agents and Distributors in major countries world-wide.

© GEC Plessey Semiconductors 1994 Publication No. DS3647 Issue No. 1.2 March 1994

This publication is issued to provide information only which (unless agreed by the Company in writing) may not be used, applied or reproduced for any purpose nor form part of any order or contract nor to be regarded as a representation relating to the products or services concerned. No warranty or guarantee express or implied is made regarding the capability, performance or suitability of any product or service. The Company reserves the right to alter without prior knowledge the specification, design or price of any product or service. Information concerning possible methods of use is provided as a guide only and does not constitute any guarantee that such methods of use will be satisfactory in a specific piece of equipment. It is the user's responsibility to fully determine the performance and suitability of any equipment using such information and to ensure that any publication or data used is up to date and has not been superseded. These products are not suitable for use in any medical products whose failure to perform may result in significant injury or death to the user. All products and materials are sold and services provided subject to the Company's conditions of sale, which are available on request.