

SPN15 Series

15 WATT, Universal Input Fully Enclosed Switching Power Supply



FEATURES

- ✔ 15 WATT OUTPUT POWER
- ✔ UNIVERSAL INPUT
- ✔ OVERVOLTAGE PROTECTION
- ✔ OVERCURRENT PROTECTION
- ✔ LIGHTWEIGHT CONSTRUCTION
- ✔ METAL CHASSIS WITH COVER
- ✔ COMPACT, LOW-PROFILE PACKAGES
- ✔ 3 YEAR WARRANTY

SAFETIES/APPROVALS

FCC-B
EN 55022-B
VCCI-II

ELECTRICAL SPECIFICATIONS

All specifications are typical at nominal input, full load

INPUT SPECIFICATIONS

| | |
|----------------------|------------------|
| Input Voltage..... | 85 ~ 264VAC |
| Input Frequency..... | 47 ~ 63Hz |
| Input Current..... | 0.55 ~ 1.0A Typ. |
| Inrush Current..... | 16A ~ 39A Typ |

OUTPUT SPECIFICATIONS

| | |
|-----------------------------------|-------------------------------|
| Output Voltage | See Chart |
| Voltage Adjustment..... | ±10% |
| Minimum Load..... | ±10% |
| Efficiency..... | 75 ~ 80% |
| Over-Voltage Protection..... | 115 ~ 150% Manual Reset |
| Over-Current Protection..... | Automatic Recovery (105% min) |
| Ripple and Noise..... | 100mVp-p max. |
| Hold-Up Time..... | 40 ~ 50 mS |
| Line/Load Regulation..... | See Chart |
| Rise Time..... | 800 ~ 1700 mS |
| Leakage Current (100/230VAC)..... | 0.75mA |

GENERAL SPECIFICATIONS

| | |
|---------------------------|-----------------|
| MTBF..... | >160,000 Hours |
| Isolation Voltage | |
| Primary to Secondary..... | 3000VAC |
| Primary to Case..... | 1500VAC |
| Secondary to Case..... | 500VAC |
| Isolation Resistance..... | 100 M-Ohms min. |

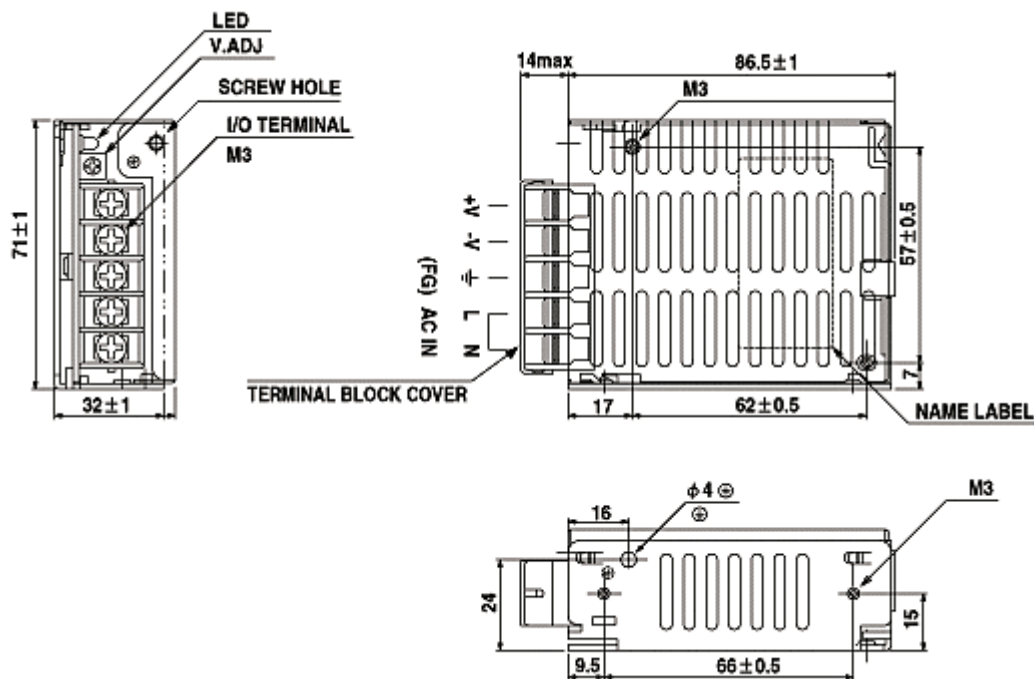
ENVIRONMENTAL SPECIFICATIONS

| | |
|------------------------------|---|
| Operating Temperature | 0°C ~ +60°C |
| Cooling..... | Convection |
| Temperature Coefficient..... | 0.02% / °C |
| Humidity..... | 20 ~ 85%Rh (non-condensing) |
| Storage Temperature..... | -20°C ~ +85°C |
| Shock Vibration..... | Shock: 20G(3 Directions each 3 times) Vibration: 10 ~ 55Hz |

PHYSICAL SPECIFICATIONS

Metal Enclosed – Terminal Block

| MODEL | Output Voltage | Output Current (85 ~ 264 VAC) | Efficiency (%) | Load Regulation (mV max) |
|-----------|----------------|----------------------------------|-------------------|-----------------------------|
| SPN15-05S | 5VDC | 3.0A | 75% | 10mV max |
| SPN15-12S | 12VDC | 1.25A | 78% | 10 mV max |
| SPN15-15S | 15VDC | 1.0A | 79% | 10mV max |
| SPN15-24S | 24VDC | 0.65A | 80% | 20mV max |
| SPN15-48S | 48VDC | 0.3A | 80% | 40mV max |



Note:

- Mounting screws not to exceed max penetration of 6mm
- Screw thread size is M3 (Metric) or 6/32nd (Inch)
- Weight 200g typ.
- Measurements in millimeter (mm) unless otherwise specified
- Tolerance ± 1 mm

NOTE:

All specifications typical and nominal / full load and 25°C unless otherwise noted.
 Avoid sustained operation in overload or dead short conditions.
 Specifications subject to changes without notice.