

SRA1020 Thru SRA1080

Voltage Range: 20 to 60 V

Current: 10.0 Amp

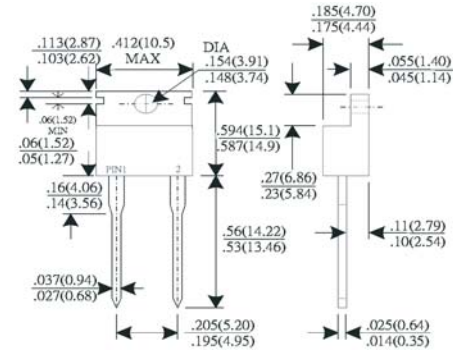
TO-220AC

Features

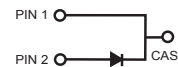
- Low forward voltage drop
- High current capability
- High reliability
- High surge current capability
- Glass passivated structure

Mechanical Data

- Case: Molded plastic TO-220AC
- Epoxy: UL 94V-0 rate flame retardant
- Solderable per MIL-STD-202, method 208 guaranteed
- Polarity: As marked on the body
- Mounting position: Any
- Weight: 2.24gram



Dimensions in inches and (millimeters)



MAXIMUM RATINGS AND ELECTRICAL CHARACTERISTICS

Rating at 25°C ambient temperature unless otherwise specified.

Single phase, half wave, 60Hz, resistive or inductive load.

For capacitive load, derate current by 20%.

Type Number	SRA 1020	SRA 1030	SRA 1040	SRA 1060	SRA 1080	Units
Maximum Recurrent Peak Reverse Voltage	20	30	40	60	80	V
Maximum RMS Voltage	14	21	28	42	56	V
Maximum DC Blocking Voltage	20	30	40	60	80	V
Maximum Average Forward Rectified Current @T _c =100°C	10.0					A
Peak Forward Surge Current, 8.3ms single Half sine-wave superimposed on rated load (JEDEC method)	250					A
Maximum Instantaneous Forward Voltage @10.0A	0.65		0.75			V
Maximum DC Reverse Current @T _J =25°C	1.0					mA
At Rated DC Blocking Voltage @T _J =125°C	50					mA
Typical Thermal Resistance (Note 1) R _{θJC}	2.5					°C/W
Typical junction Capacitance (Note 2)	500					pf
Operating junction Temperature Range T _J	-55 to +125					°C
Storage Temperature Range T _{STG}	-55 to +150					°C

NOTES (1) Thermal Resistance junction to Case.
(2) Measured at 1.0 MHz and applied reverse voltage of 4.0 Volts DC.

Ratings and Characteristic Curves SRA1020 thru SRA1080 (TA = 25°C unless otherwise noted)

FIG.1 - FORWARD CURRENT DERATING CURVE

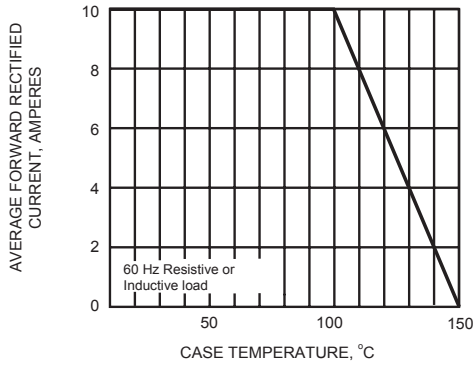


FIG.2 - MAXIMUM NON-REPETITIVE PEAK FORWARD SURGE CURRENT

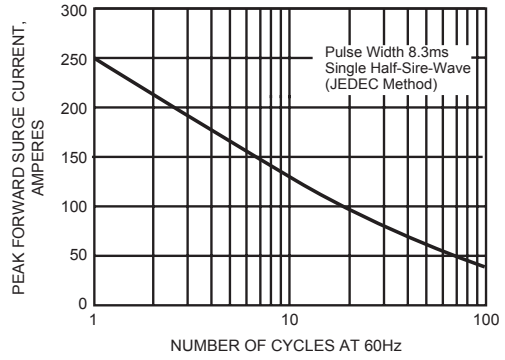


FIG.3 - TYPICAL INSTANTANEOUS FORWARD CHARACTERISTICS

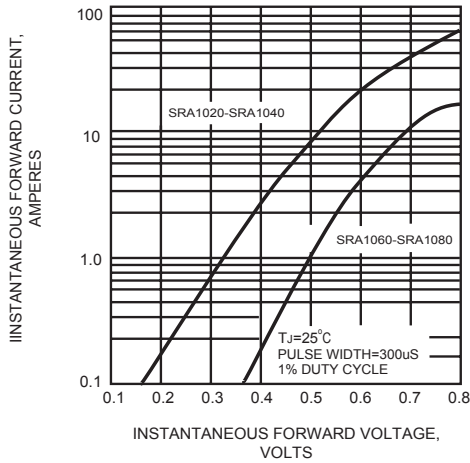


FIG.4 - TYPICAL REVERSE CHARACTERISTICS

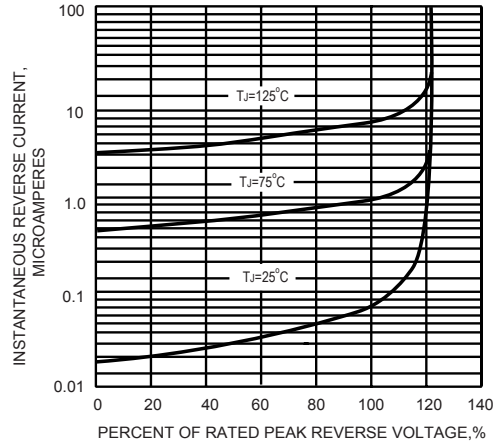


FIG.5 - TYPICAL JUNCTION CAPACITANCE

