

International  
**IRF** Rectifier

## ST730C..L SERIES

PHASE CONTROL THYRISTORS

Hockey Puk Version

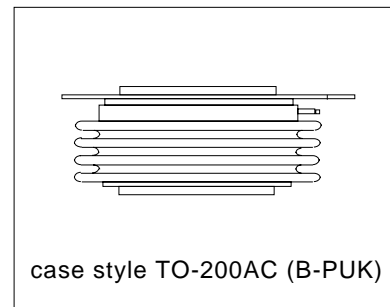
### Features

- Center amplifying gate
- Metal case with ceramic insulator
- International standard case TO-200AC (B-PUK)

990A

### Typical Applications

- DC motor controls
- Controlled DC power supplies
- AC controllers



### Major Ratings and Characteristics

Parameters	ST730C..L	Units	
$I_{T(AV)}$	990	A	
@ $T_{hs}$	55	°C	
$I_{T(RMS)}$	2000	A	
@ $T_{hs}$	25	°C	
$I_{TSM}$	@ 50Hz	17800	A
	@ 60Hz	18700	A
$I^2t$	@ 50Hz	1591	KA <sup>2</sup> s
	@ 60Hz	1452	KA <sup>2</sup> s
$V_{DRM}/V_{RRM}$	800 to 2000	V	
$t_q$	typical	150	μs
$T_J$	- 40 to 125	°C	

## ST730C..L Series

Bulletin I25191 rev. D 04/03

International  
IRF Rectifier

### ELECTRICAL SPECIFICATIONS

#### Voltage Ratings

Type number	Voltage Code	$V_{DRM}/V_{RRM}$ , max. repetitive peak and off-state voltage V	$V_{RSM}$ , maximum non-repetitive peak voltage V	$I_{DRM}/I_{RRM}$ max. @ $T_J = T_J$ max mA
ST730C..L	08	800	900	80
	12	1200	1300	
	14	1400	1500	
	16	1600	1700	
	18	1800	1900	
	20	2000	2100	

#### On-state Conduction

Parameter	ST730C..L	Units	Conditions	
$I_{T(AV)}$ Max. average on-state current @ Heatsink temperature	990 (375)	A	180° conduction, half sine wave double side (single side) cooled	
	55 (85)	°C		
$I_{T(RMS)}$ Max. RMS on-state current	2000	A	DC @ 25°C heatsink temperature double side cooled	
$I_{TSM}$ Max. peak, one-cycle non-repetitive surge current	17800		t = 10ms	No voltage reappplied
	18700		t = 8.3ms	100% $V_{RRM}$ reappplied
	15000		t = 10ms	Sinusoidal half wave, Initial $T_J = T_J$ max.
	15700	t = 8.3ms		
$I^2t$ Maximum $I^2t$ for fusing	1591	KA <sup>2</sup> s	t = 10ms	No voltage reappplied
	1452		t = 8.3ms	100% $V_{RRM}$ reappplied
	1125		t = 10ms	Sinusoidal half wave, Initial $T_J = T_J$ max.
	1027		t = 8.3ms	
$I^2\sqrt{t}$ Maximum $I^2\sqrt{t}$ for fusing	15910	KA <sup>2</sup> √s	t = 0.1 to 10ms, no voltage reappplied	
$V_{T(TO)1}$ Low level value of threshold voltage	0.98	V	(16.7% x $\pi$ x $I_{T(AV)} < I < \pi$ x $I_{T(AV)}$ ), $T_J = T_J$ max.	
$V_{T(TO)2}$ High level value of threshold voltage	1.12		( $I > \pi$ x $I_{T(AV)}$ ), $T_J = T_J$ max.	
$r_{t1}$ Low level value of on-state slope resistance	0.32	mΩ	(16.7% x $\pi$ x $I_{T(AV)} < I < \pi$ x $I_{T(AV)}$ ), $T_J = T_J$ max.	
$r_{t2}$ High level value of on-state slope resistance	0.27		( $I > \pi$ x $I_{T(AV)}$ ), $T_J = T_J$ max.	
$V_{TM}$ Max. on-state voltage	1.62	V	$I_{pk} = 2000A$ , $T_J = T_J$ max, $t_p = 10ms$ sine pulse	
$I_H$ Maximum holding current	600	mA	$T_J = 25^\circ C$ , anode supply 12V resistive load	
$I_L$ Typical latching current	1000			

#### Switching

Parameter	ST730C..L	Units	Conditions
$di/dt$ Max. non-repetitive rate of rise of turned-on current	1000	A/μs	Gate drive 20V, 20Ω, $t_r \leq 1\mu s$ $T_J = T_J$ max, anode voltage $\leq 80\% V_{DRM}$
$t_d$ Typical delay time	1.0	μs	Gate current 1A, $di_g/dt = 1A/\mu s$ $V_d = 0.67\% V_{DRM}$ , $T_J = 25^\circ C$
$t_q$ Typical turn-off time	150		$I_{TM} = 750A$ , $T_J = T_J$ max, $di/dt = 60A/\mu s$ , $V_R = 50V$ $dv/dt = 20V/\mu s$ , Gate 0V 100Ω, $t_p = 500\mu s$

Blocking

Parameter	ST730C..L	Units	Conditions
dv/dt Maximum critical rate of rise of off-state voltage	500	V/ $\mu$ s	$T_J = T_J \text{ max. linear to } 80\% \text{ rated } V_{\text{DRM}}$
$I_{\text{DRM}}$ $I_{\text{RRM}}$ Max. peak reverse and off-state leakage current	80	mA	$T_J = T_J \text{ max, rated } V_{\text{DRM}}/V_{\text{RRM}}$ applied

Triggering

Parameter	ST730C..L		Units	Conditions
$P_{\text{GM}}$ Maximum peak gate power	10.0		W	$T_J = T_J \text{ max, } t_p \leq 5\text{ms}$
$P_{\text{G(AV)}}$ Maximum average gate power	2.0			$T_J = T_J \text{ max, } f = 50\text{Hz, } d\% = 50$
$I_{\text{GM}}$ Max. peak positive gate current	3.0		A	$T_J = T_J \text{ max, } t_p \leq 5\text{ms}$
$+V_{\text{GM}}$ Maximum peak positive gate voltage	20		V	$T_J = T_J \text{ max, } t_p \leq 5\text{ms}$
$-V_{\text{GM}}$ Maximum peak negative gate voltage	5.0			
$I_{\text{GT}}$ DC gate current required to trigger	TYP.	MAX.	mA	$T_J = -40^\circ\text{C}$ $T_J = 25^\circ\text{C}$ $T_J = 125^\circ\text{C}$  Max. required gate trigger/ current/ voltage are the lowest value which will trigger all units 12V anode-to-cathode applied
	200	-		
	100	200		
$V_{\text{GT}}$ DC gate voltage required to trigger	2.5	-	V	$T_J = -40^\circ\text{C}$ $T_J = 25^\circ\text{C}$ $T_J = 125^\circ\text{C}$
	1.8	3.0		
	1.1	-		
$I_{\text{GD}}$ DC gate current not to trigger	10		mA	Max. gate current/voltage not to trigger is the max. value which will not trigger any unit with rated $V_{\text{DRM}}$ anode-to-cathode applied
$V_{\text{GD}}$ DC gate voltage not to trigger	0.25			

Thermal and Mechanical Specification

Parameter	ST730C..L	Units	Conditions
$T_J$ Max. operating temperature range	-40 to 125	$^\circ\text{C}$	
$T_{\text{stg}}$ Max. storage temperature range	-40 to 150		
$R_{\text{thJ-hs}}$ Max. thermal resistance, junction to heatsink	0.073	K/W	DC operation single side cooled
	0.031		DC operation double side cooled
$R_{\text{thC-hs}}$ Max. thermal resistance, case to heatsink	0.011	K/W	DC operation single side cooled
	0.006		DC operation double side cooled
F Mounting force, $\pm 10\%$	14700	N	
	(1500)	(Kg)	
wt Approximate weight	255	g	
Case style	TO-200AC (B-PUK)		See Outline Table

## ST730C..L Series

Bulletin I25191 rev. D 04/03

International  
**IR** Rectifier

### $\Delta R_{thJ-hs}$ Conduction

(The following table shows the increment of thermal resistance  $R_{thJ-hs}$  when devices operate at different conduction angles than DC)

Conduction angle	Sinusoidal conduction		Rectangular conduction		Units	Conditions
	Single Side	Double Side	Single Side	Double Side		
180°	0.009	0.009	0.006	0.006	K/W	$T_J = T_{J \text{ max.}}$
120°	0.011	0.011	0.010	0.011		
90°	0.014	0.014	0.015	0.015		
60°	0.020	0.020	0.021	0.021		
30°	0.036	0.036	0.036	0.036		

### Ordering Information Table

Device Code							
ST	73	0	C	20	L	1	
①	②	③	④	⑤	⑥	⑦	⑧
<b>1</b>	- Thyristor	<b>2</b>	- Essential part number	<b>3</b>	- 0 = Converter grade	<b>4</b>	- C = Ceramic Puk
<b>5</b>	- Voltage code: Code x 100 = $V_{RRM}$ (See Voltage Rating Table)	<b>6</b>	- L = Puk Case TO-200AC (B-PUK)	<b>7</b>	- 0 = Eyelet terminals (Gate and Auxiliary Cathode Unsoldered Leads)	1 = Fast-on terminals (Gate and Auxiliary Cathode Unsoldered Leads)	2 = Eyelet terminals (Gate and Auxiliary Cathode Soldered Leads)
<b>7</b>	- 1 = Fast-on terminals (Gate and Auxiliary Cathode Unsoldered Leads)	2 = Eyelet terminals (Gate and Auxiliary Cathode Soldered Leads)	3 = Fast-on terminals (Gate and Auxiliary Cathode Soldered Leads)	<b>8</b>	- Critical dv/dt: None = 500V/ $\mu$ sec (Standard selection)	L = 1000V/ $\mu$ sec (Special selection)	

Outline Table

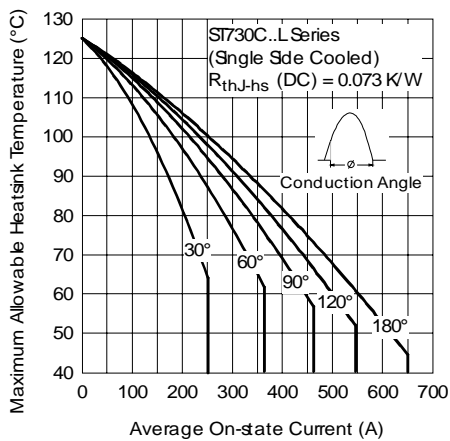
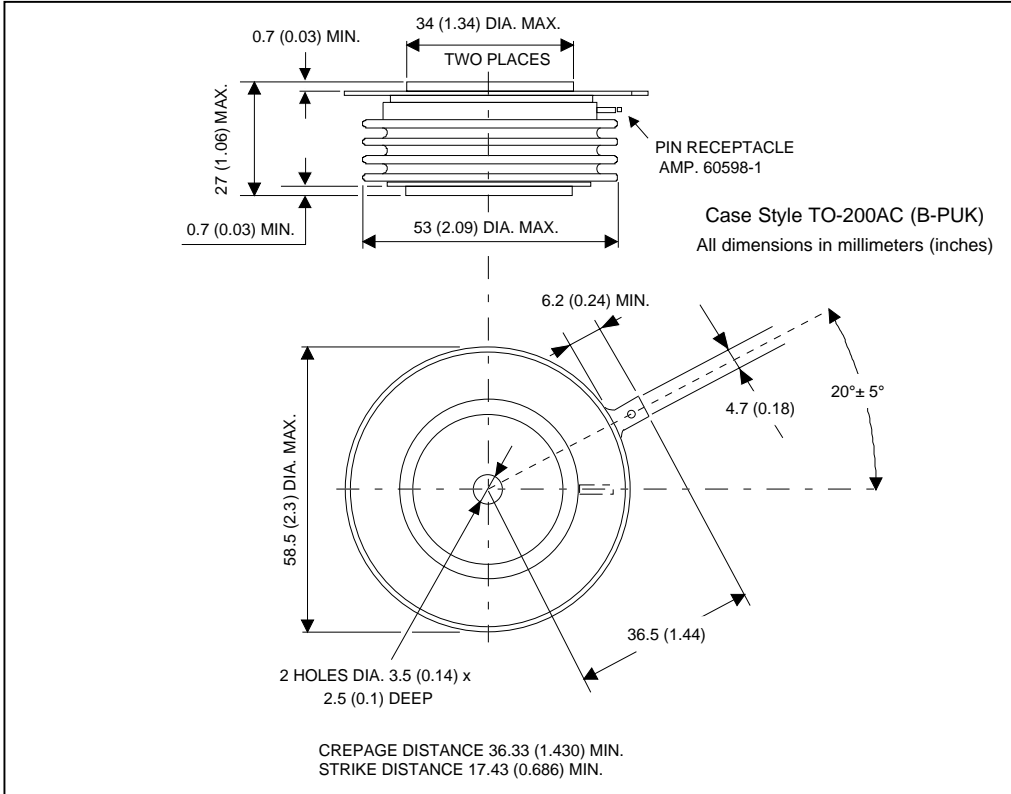


Fig. 1 - Current Ratings Characteristics

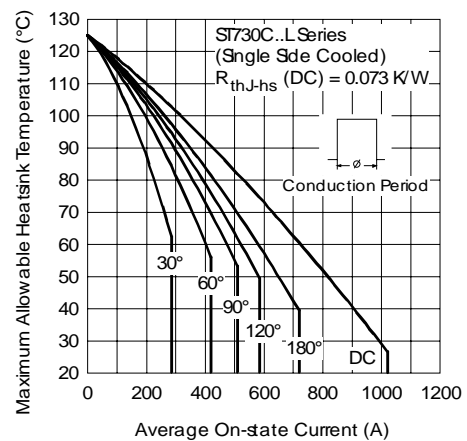


Fig. 2 - Current Ratings Characteristics

# ST730C..L Series

Bulletin I25191 rev. D 04/03

International  
**IRF** Rectifier

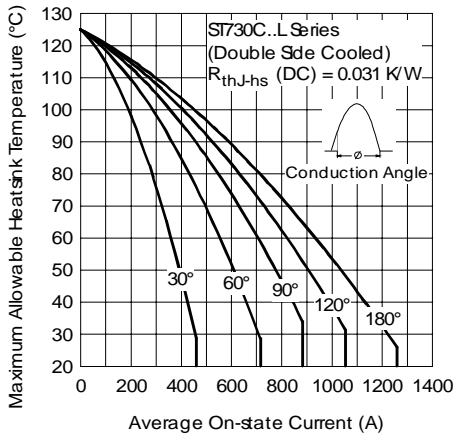


Fig. 3 - Current Ratings Characteristics

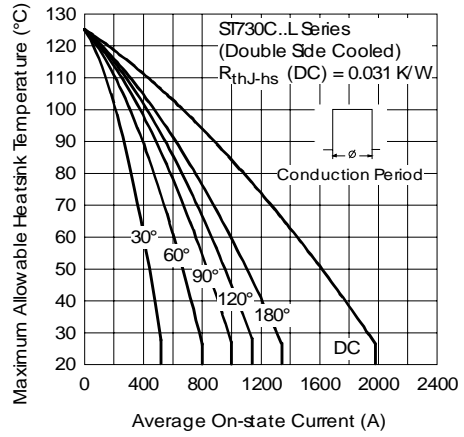


Fig. 4 - Current Ratings Characteristics

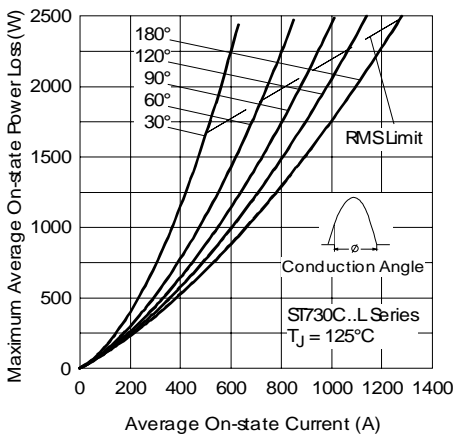


Fig. 5 - On-state Power Loss Characteristics

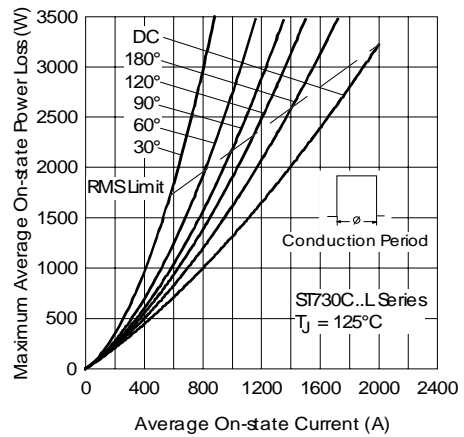


Fig. 6 - On-state Power Loss Characteristics

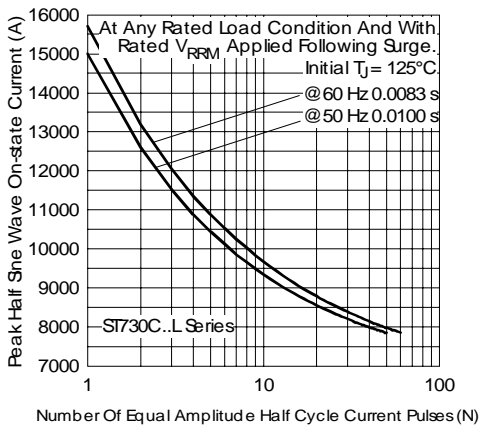


Fig. 7 - Maximum Non-Repetitive Surge Current Single and Double Side Cooled

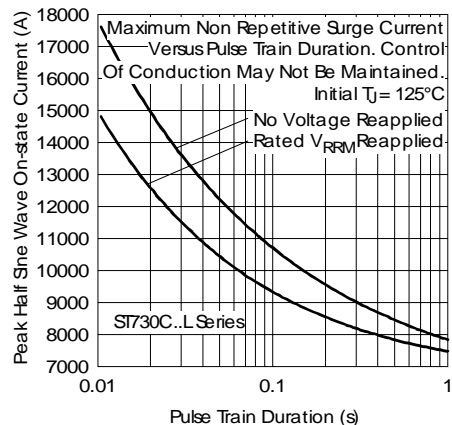


Fig. 8 - Maximum Non-Repetitive Surge Current Single and Double Side Cooled

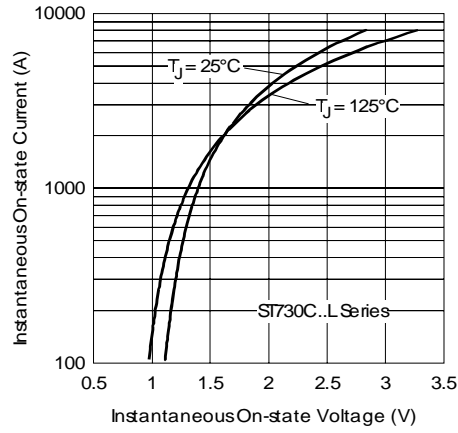


Fig. 9 - On-state Voltage Drop Characteristics

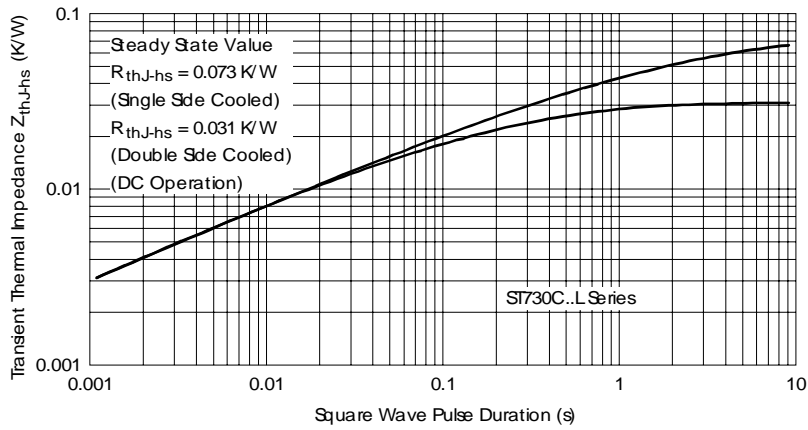


Fig. 10 - Thermal Impedance  $Z_{thJ-hs}$  Characteristics

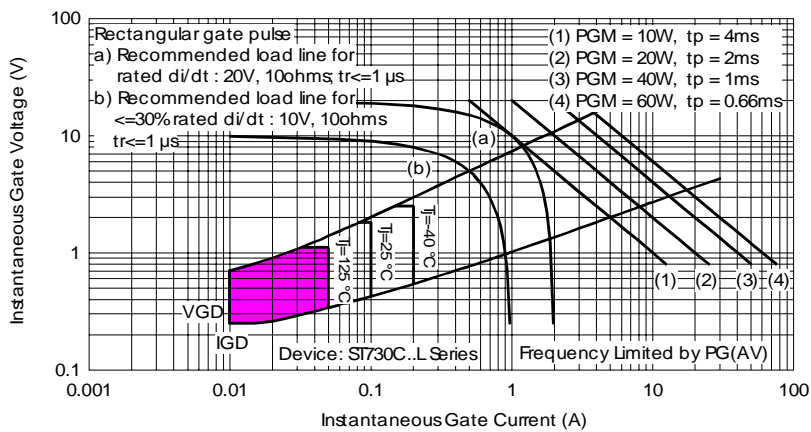


Fig. 11 - Gate Characteristics

## **ST730C..L Series**

Bulletin I25191 rev. D 04/03

International  
**IR** Rectifier

---

Data and specifications subject to change without notice.  
This product has been designed and qualified for Industrial Level.  
Qualification Standards can be found on IR's Web site.

International  
**IR** Rectifier

**IR WORLD HEADQUARTERS:** 233 Kansas St., El Segundo, California 90245, USA Tel: (310) 252-7105  
TAC Fax: (310) 252-7309  
Visit us at [www.irf.com](http://www.irf.com) for sales contact information. 04/03