



Features

- Thin 5 mm square SMD
- Three different operating forces
- 0.8 mm height without knob (1.5 mm with knob)
- Compatible with surface mount reflow soldering processes
- RoHS compliant*

Model STJN-5 is currently available, although not recommended for new designs.

STJN-5 SMD Thin Tact Switch

Electrical Characteristics

Max. Power Rating12 VDC max., 50 mA
Contact Resistance100 milliohms max.
Insulation Resistance100 megohms min., 100 VDC
Dielectric StrengthAC 250 V for 1 minute
Bounce	
On3 ms max.
Off10 ms max.
CircuitN.O. SPST

Mechanical Characteristics

Mechanical Life	
100 gf + 160 gf500,000 cycles min.
260 gf200,000 cycles min.
Actuation Force	
.....100 gf ±50 gf (1.0 N ±0.5 N)	
.....160 gf ±50 gf (1.6 N ±0.5 N)	
.....260 gf ±60 gf (2.6 N ±0.6 N)	
Stroke0.25 mm +0.10/-0.20

General Characteristics

Switch Type(N.O.) SPST
Operating Temperature Range-20 °C to +70 °C
Storage Temperature Range-40 °C to +85 °C

How to Order

STJ N - 5 08 - N TR

Model _____
Thin SMD Tact Switch

Product Code _____
N = Non-washable

Size _____
5 = 5 mm

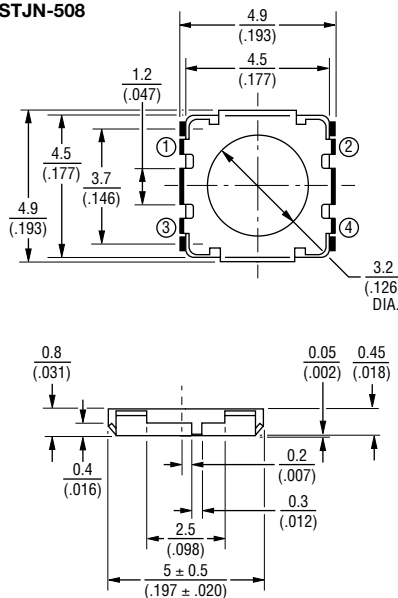
Height _____
08 = 0.8 mm (without knob)
15 = 1.5 mm (with knob)

Actuating Force _____
K = 100 gf (1.0 N)
N = 160 gf (1.6 N)
R = 260 gf (2.6 N)

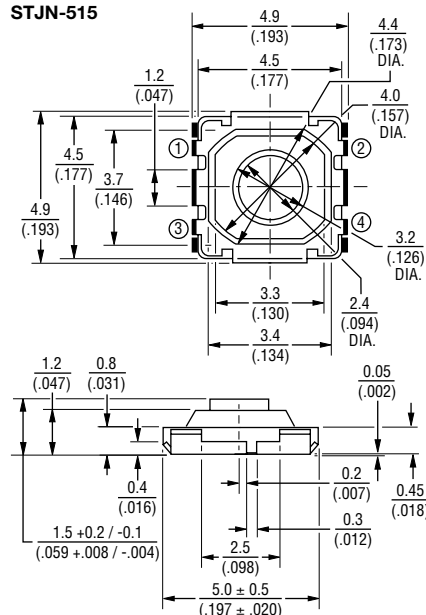
Packaging _____
TR = Embossed Tape
5,000 pcs./reel

Product Dimensions

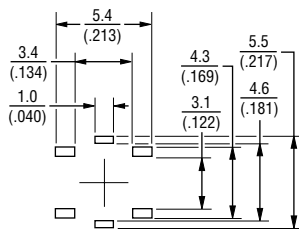
STJN-508



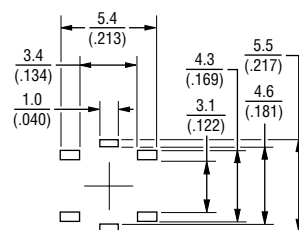
STJN-515



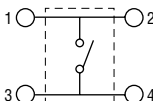
Recommended PCB Layout



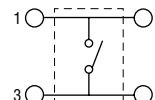
Recommended PCB Layout



Circuit Diagram



Circuit Diagram



TOLERANCES: ±.38 EXCEPT WHERE NOTED.
DIMENSIONS: $\frac{MM}{(IN)}$

Reflow Soldering Profile

