



## STPC® CONSUMER-II

### X86 Core PC Compatible Information Appliance System-on-Chip

- POWERFUL x86 PROCESSOR
- 64-BIT SDRAM UMA CONTROLLER
- VGA & SVGA CRT CONTROLLER
- 135 MHz RAMDAC
- 2D GRAPHICS ENGINE
- VIDEO INPUT PORT
- VIDEO PIPELINE
  - UP-SCALER
  - VIDEO COLOUR SPACE CONVERTER
  - CHROMA & COLOUR KEY SUPPORT
- TV OUTPUT
  - THREE-LINE FLICKER FILTER
  - ITU-R 601/656 SCAN CONVERTER
  - NTSC / PAL COMPOSITE, RGB, S-VIDEO
- PCI MASTER / SLAVE / ARBITER
- ISA MASTER / SLAVE
- OPTIONAL 16-BIT LOCAL BUS INTERFACE
- EIDE CONTROLLER
- I<sup>2</sup>C INTERFACE
- IPC
  - DMA CONTROLLER
  - INTERRUPT CONTROLLER
  - TIMER / COUNTERS
- POWER MANAGEMENT UNIT
- JTAG IEEE1149.1

#### DESCRIPTION

The STPC Consumer-II integrates a standard 5th generation x86 core, a Synchronous DRAM controller, a graphics subsystem, a video pipeline, and support logic including PCI, ISA, and IDE controllers to provide a single consumer orientated PC compatible subsystem on a single device.

The device is based on a tightly coupled Unified Memory Architecture (UMA), sharing memory between the CPU, the graphics and the video.

The STPC Consumer-II is packaged in a 388 Plastic Ball Grid Array (PBGA).

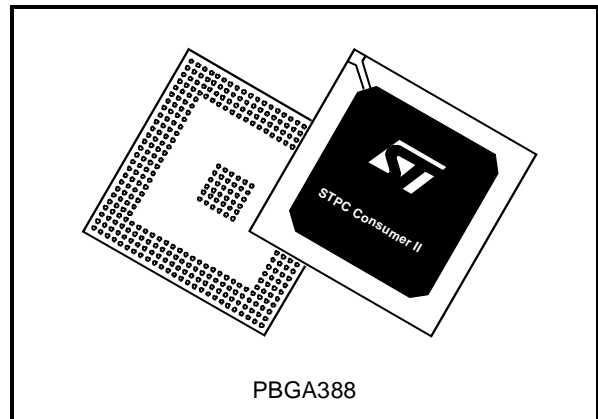
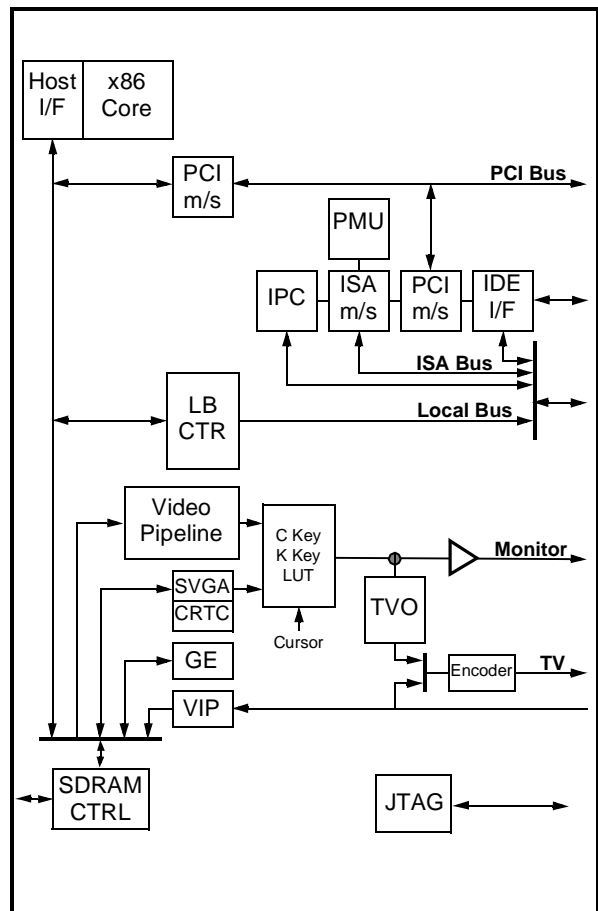


Figure 0-1. Logic Diagram



**■ X86 Processor core**

- Fully static 32-bit five-stage pipeline, x86 processor fully PC compatible.
- Can access up to 4 GB of external memory.
- 8 Kbyte unified instruction and data cache with write back and write through capability.
- Parallel processing integral floating point unit, with automatic power down.
- Runs up to 100 MHz (x1) or 133 MHz (x2).
- Fully static design for dynamic clock control.
- Low power and system management modes.
- Optimized design for 2.5 V operation.

**■ SDRAM Controller**

- 64-bit data bus.
- Up to 100 MHz SDRAM clock speed.
- Integrated system memory, graphic frame memory and video frame memory.
- Supports 2 MB up to 128 MB system memory.
- Supports 16-, 64-, and 128-Mbit SDRAMs.
- Supports 8, 16, 32, 64, and 128 MB DIMMs.
- Supports buffered, non buffered, and registered DIMMs
- Four-line write buffers for CPU to SDRAM and PCI to SDRAM cycles.
- Four-line read prefetch buffers for PCI masters.
- Programmable latency
- Programmable timing for SDRAM parameters.
- Supports -8, -10, -12, -13, -15 memory parts
- Supports memory hole between 1 MB and 8 MB for PCI/ISA busses.

**■ 2D Graphics Controller**

- 64-bit windows accelerator.
- Backward compatibility to SVGA standards.
- Hardware acceleration for text, bitblts, transparent blts and fills.
- Up to 64 x 64 bit graphics hardware cursor.
- Up to 4MB long linear frame buffer.
- 8-, 16-, 24- and 32-bit pixels.
- Drivers available for various OSes.

**■ CRT Controller**

- Integrated 135 MHz triple RAMDAC allowing for 1280 x 1024 x 75 Hz display.
- Requires external frequency synthesizer and reference sources.
- 8-bit, 16-bit, 24-bit pixels.
- Interlaced or non-interlaced output.
- Requires no external frequency synthesizer.
- Requires only external reference source.

**■ Video Input port**

- Accepts video inputs in ITU-R 601 mode.
- Optional 2:1 decimator
- Stores captured video in off setting area of the onboard frame buffer.
- Video pass through to the TV output for full screen video images.
- HSYNC and B/T generation or lock onto external video timing source.

**■ Video Pipeline**

- Two-tap interpolative horizontal filter.
- Two-tap interpolative vertical filter.
- Colour space conversion (RGB to YUV and YUV to RGB).
- Programmable window size.
- Chroma and colour keying for integrated video overlay.

**■ Video Output**

- NTSC-M; PAL-B, D, G, H, I, M, N encoding.
- ITU-R 601 encoding with programmable colour subcarrier frequencies.
- ITU-R 656 video output signal interface.
- Four analog outputs in two configurations:
  - R,G,B + CVBS
  - C,YS,CVBS1 + CVBS2
- Flicker-free interlaced output.
- Programmable two tap filter with gamma correction or three tap flicker filter.
- Interlaced or non-interlaced operation mode.
- Progressive to interlaced scan converter.
- Cross colour reduction by specific trap filtering on luma within CVBS flow.
- Power down mode available on each DAC.

### ■ PCI Controller

- Fully compliant with PCI 2.1 specification.
- Integrated PCI arbitration interface. Up to 3 masters can connect directly. External PAL allows for greater than 3 masters.
- Translation of PCI cycles to ISA bus.
- Translation of ISA master initiated cycle to PCI.
- Support for burst read/write from PCI master.
- PCI clock is 1/2, 1/3 or 1/4 cpu bus clock.

### ■ ISA master/slave

- Generates the ISA clock from either 14.318 MHz oscillator clock or PCI clock
- Supports programmable extra wait state for ISA cycles
- Supports I/O recovery time for back to back I/O cycles.
- Fast Gate A20 and Fast reset.
- Supports the single ROM that C, D, or E. blocks shares with F block BIOS ROM.
- Supports flash ROM.
- Supports ISA hidden refresh.
- Buffered DMA & ISA master cycles to reduce bandwidth utilization of the PCI and Host bus.

### ■ Local Bus interface

- Multiplexed with ISA/DMA interface.
- Low latency asynchronous bus
- 22-bit address bus.
- 16-bit data bus with word steering capability.
- Programmable timing (Host clock granularity)
- Two Programmable Flash Chip Select.
- Four Programmable I/O Chip Select.
- Supports 32-bit Flash burst.
- Two-level hardware key protection for Flash boot block protection.
- Supports two banks of 16 MB flash devices with boot block shadowed to 0x000F0000.

### ■ IDE Interface

- Supports PIO
- Transfer Rates to 22 MBytes/sec
- Supports up to 4 IDE devices
- Concurrent channel operation (PIO modes) - 4 x 32-Bit Buffer FIFOs per channel
- Support for PIO mode 3 & 4.
- Individual drive timing for all four IDE devices
- Supports both legacy & native IDE modes
- Supports hard drives larger than 528MB
- Support for CD-ROM and tape peripherals
- Backward compatibility with IDE (ATA-1).
- Drivers for Windows and other Operating Systems

### ■ Integrated Peripheral Controller

- 2X8237/AT compatible 7-channel DMA controller.
- 2X8259/AT compatible interrupt Controller. 16 interrupt inputs - ISA and PCI.
- Three 8254 compatible Timer/Counters.
- Co-processor error support logic.

### ■ Power Management

- Four power saving modes: On, Doze, Standby, Suspend.
- Programmable system activity detector
- Supports Intel & Cyrix SMM and APM.
- Supports STOPCLK.
- Supports IO trap & restart.
- Independent peripheral time-out timer to monitor hard disk, serial & parallel port.
- 128K SM\_RAM address space from 0xA0000 to 0xB0000

### ■ JTAG

- Boundary Scan compatible IEEE1149.1.
- Scan Chain control.
- Bypass register compatible IEEE1149.1.
- ID register compatible IEEE1149.1.
- RAM BIST control.

The STPC Consumer-II has undergone an errata fix upgrade. The different versions can be differentiated by the part number. Both versions are pin to pin compatible and there are some software extensions that have been added to the upgraded parts. The parts labeled STPCC5 are the upgraded parts and the differences are identified in both the Datasheet and Programming Manual. All parts labeled STPCC4 do not support the new features outlined in the documentation. Where nor C4 nor C5 are specified, the information or feature applies to both versions.



## 1. GENERAL DESCRIPTION

At the heart of the STPC Consumer-II is an advanced 64-bit x86 processor block. It includes a 64-bit SDRAM controller, advanced 64-bit accelerated graphics and video controller, a high speed PCI local-bus controller and Industry standard PC chip set functions (Interrupt controller, DMA Controller, Interval timer and ISA bus).

The STPC Consumer-II has in addition, an EIDE Controller, I<sup>2</sup>C Interface, a Local Bus interface and a JTAG interface.

### 1.1. ARCHITECTURE

The STPC Consumer-II makes use of a tightly coupled Unified Memory Architecture (UMA), where the same memory array is used for CPU main memory and graphics frame-buffer. This means a reduction in total system memory for system performances that are equal to that of a comparable frame buffer and system memory based system, and generally much better, due to the higher memory bandwidth allowed by attaching the graphics engine directly to the 64-bit processor host interface running at the speed of the processor bus rather than the traditional PCI bus. The 64-bit wide memory array provides the system with 528MB/s peak bandwidth. This allows for higher resolution screens and greater color depth.

The 'standard' PC chipset functions (DMA, interrupt controller, timers, power management logic) are integrated together with the x86 processor core; additional functions such as communications ports are accessed by the STPC Consumer-II via internal ISA bus.

The PCI bus is the main data communication link to the STPC Consumer-II chip. The STPC Consumer-II translates appropriate host bus I/O and Memory cycles onto the PCI bus. It also supports generation of Configuration cycles on the PCI bus. The STPC Consumer-II, as a PCI bus agent (host bridge class), fully complies with PCI specification 2.1. The chip-set also implements the PCI mandatory header registers in Type 0 PCI configuration space for easy porting of PCI aware system BIOS. The device contains a PCI arbitration function for three external PCI devices.

The STPC Consumer-II has two functional blocks *sharing the same balls*: The ISA / IPC / IDE block and the Local Bus / IDE block (see Table 3). Any board with the STPC Consumer-II should be built using only one of these two configurations. The IDE pins are dynamically multiplexed in each of the blocks in ISA mode only.

Configuration is done by 'strap options'. It is a set of pull-up or pull-down resistors on the memory data bus, checked on reset, which auto-configure the STPC Consumer-II.

### 1.2. GRAPHICS FEATURES

Graphics functions are controlled through the on-chip SVGA controller and the monitor display is produced through the 2D graphics display engine.

This Graphics Engine is tuned to work with the host CPU to provide a balanced graphics system with a low silicon area cost. It performs limited graphics drawing operations which include hardware acceleration of text, bitblts, transparent blts and fills. The results of these operations change the contents of the on-screen or off-screen frame buffer areas of SDRAM memory. The frame buffer can occupy a space up to 4 Mbytes anywhere in the physical main memory.

The graphics resolution supported is a maximum of 1280x1024 in 16M colors and 16M colors at 75Hz refresh rate, VGA and SVGA compatible. Horizontal timing fields are VGA compatible while the vertical fields are extended by one bit to accommodate above display resolution.

### 1.3. VIDEO FUNCTIONS

The STPC Consumer-II provides several additional functions to handle MPEG or similar video streams. The Video Input Port accepts an encoded digital video stream in one of a number of industry standard formats, decodes it, optionally decimates it, and deposits it into an off screen area of the frame buffer. An interrupt request can be generated when an entire field or frame has been captured. The video output pipeline incorporates a video-scaler and color space converter function and provisions in the CRT controller to display a video window. While repainting the screen the CRT controller fetches both the video as well as the normal non-video frame buffer in two separate internal FIFOs. The video stream can be color-space converted (optionally) and smooth scaled. Smooth interpolative scaling in both horizontal and vertical direction are implemented. Color and Chroma key functions are also implemented to allow mixing video stream with non-video frame buffer.

The video output passes directly to the RAMDAC for monitor output or through another optional color space converter (RGB to 4:2:2 YCrCb) to the programmable anti-flicker filter. The flicker filter is configured as either a two line filter with gamma correction (primarily designed for DOS type text)

## GENERAL DESCRIPTION

or a 3 line flicker filter (primarily designed for Windows type displays). The flicker filter is optional and can be software disabled for use with large screen area's of video.

The Video output pipeline of the STPC Consumer-II interfaces directly to the internal digital TV encoder. It takes a 24 bit RGB non-interlaced pixel stream and converts to a multiplexed 4:2:2 YCrCb 8 bit output stream, the logic includes a progressive to interlaced scan converter and logic to insert appropriate CCIR656 timing reference codes into the output stream. It facilitates the high quality display of VGA or full screen video streams received via the Video input port to standard NTSC or PAL televisions.

The digital PAL/NTSC encoder outputs interlaced or non-interlaced video in PAL-B,D,G,H,I PAL-N, PAL-M or NTSC-M standards and "NTSC- 4.43" is also possible.

The four frame (for PAL) or 2 frame (for NTSC) burst sequences are internally generated, subcarrier generation being performed numerically with CKREF as reference. Rise and fall times of synchronisation tips and burst envelope are internally controlled according to the relevant ITU-R and SMPTE recommendations.

Video output signals are directed to four analog output pins through internal D/A converters giving, simultaneous R,G,B and composite CVBS outputs.

### 1.4. MEMORY CONTROLLER

The STPC handles the memory data (DATA) bus directly, controlling from 2 to 128 MBytes. The SDRAM controller supports accesses to the Memory Banks to/from the CPU (via the host), from the VMI, to/from the CRTIC, to the VIDEO & to/from the GE. (Banks 0 to 3) which can be populated with either single or double sided 72-bit (4 bit parity) DIMMs. Parity is not supported.

The SDRAM controller only supports 64 bit wide Memory Banks.

Four Memory Banks (if DIMMS are used; Single sided or two double-sided DIMMs) are supported in the following configurations (see [Table 1-1](#))

**Table 1-1. Memory configurations**

Memory Bank size	Number	Organisation	Device Size
1Mx64	4	1Mx16	16Mbits
2Mx64	8	2Mx8	
4Mx64	16	4Mx4	

**Table 1-1. Memory configurations**

Memory Bank size	Number	Organisation	Device Size
4Mx64	4	2Mx16x2	64Mbits
8Mx64	8	4Mx8x2	
16Mx64	16	8Mx4x2	
4Mx64	4	1Mx16x4	
8Mx64	8	2Mx8x4	
32Mx64	16	4Mx4x4	128Mbits
16Mx64	8	2Mx16x2	
32Mx64	16	4Mx8x4	

The SDRAM Controller supports buffered or unbuffered SDRAM but not EDO or FPM modes. SDRAMs must support Full Page Mode Type access.

The STPC Memory Controller provides various programmable SDRAM parameters to allow the SDRAM interface to be optimized for different processor bus speeds SDRAM speed grades and CAS Latency.

### 1.5. IDE INTERFACE

An industry standard EIDE (ATA 2) controller is built into the STPC Consumer-II. The IDE port is capable of supporting a total of four devices.

### 1.6. POWER MANAGEMENT

The STPC Consumer-II core is compliant with the Advanced Power Management (APM) specification to provide a standard method by which the BIOS can control the power used by personal computers. The Power Management Unit module (PMU) controls the power consumption providing a comprehensive set of features that control the power usage and supports compliance with the United States Environmental Protection Agency's Energy Star Computer Program. The PMU provides following hardware structures to assist the software in managing the power consumption by the system.

- System Activity Detection.
- Three power down timers.
- Doze timer for detecting lack of system activity for short durations.
- Stand-by timer for detecting lack of system activity for medium durations
- Suspend timer for detecting lack of system activity for long durations.
- House-keeping activity detection.
- House-keeping timer to cope with short bursts of house-keeping activity while dozing or in stand-by state.

- Peripheral activity detection.
- Peripheral timer for detecting lack of peripheral activity
- SUSP# modulation to adjust the system performance in various power down states of the system including full power on state.
- Power control outputs to disable power from different planes of the board.

Lack of system activity for progressively longer period of times is detected by the three power down timers. These timers can generate SMI interrupts to CPU so that the SMM software can put the system in decreasing states of power consumption. Alternatively, system activity in a power down state can generate SMI interrupt to allow the software to bring the system back up to full power on state. The chip-set supports up to three power down states: Doze state, Stand-by state and Suspend mode. These correspond to decreasing levels of power savings.

Power down puts the STPC Consumer-II into suspend mode. The processor completes

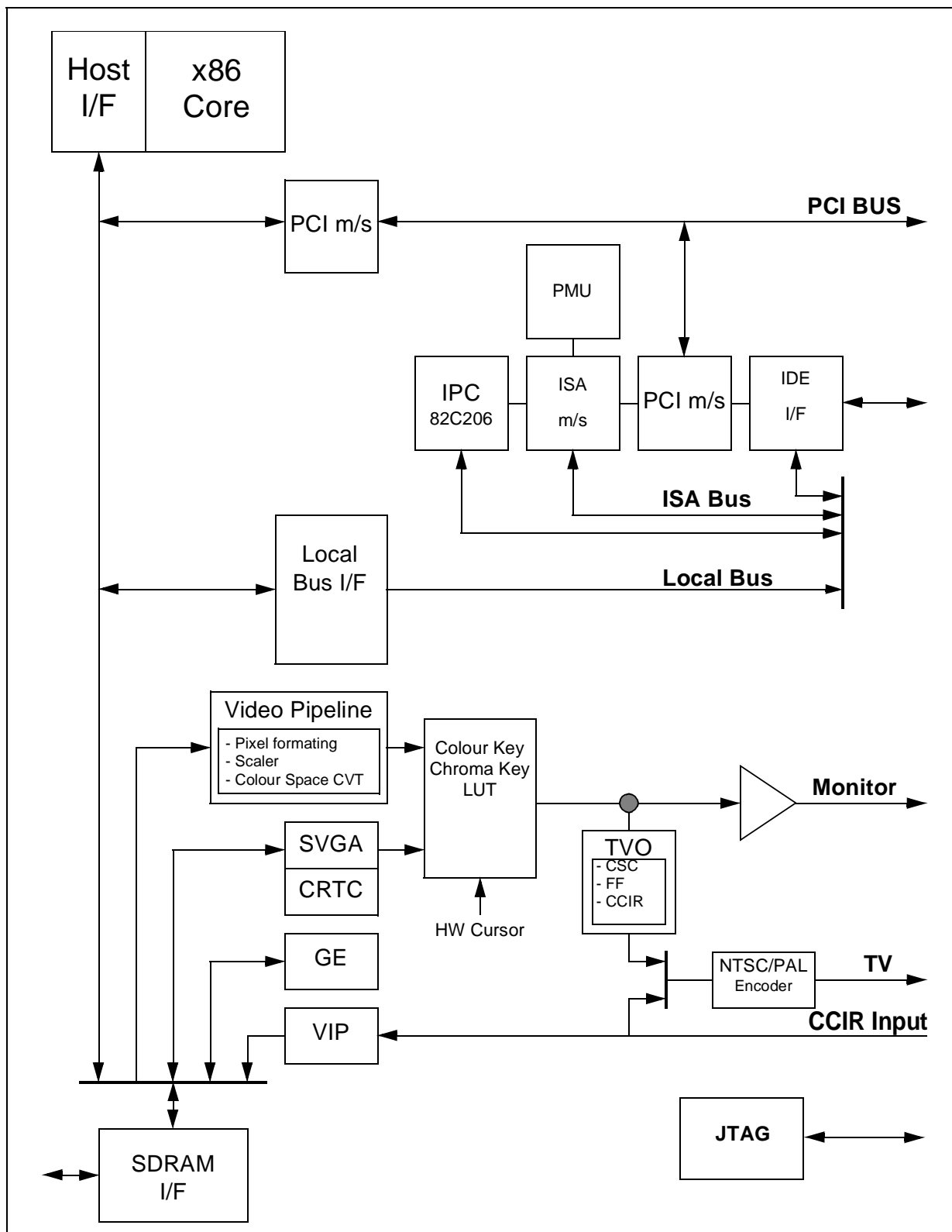
execution of the current instruction, any pending decoded instructions and associated bus cycles. During the suspend mode, internal clocks are stopped. Removing power down, the processor resumes instruction fetching and begins execution in the instruction stream at the point it had stopped. Because of the static nature of the core, no internal data is lost.

### 1.7. JTAG

JTAG stands for Joint Test Action Group and is the popular name for IEEE Std. 1149.1, Standard Test Access Port and Boundary-Scan Architecture. This built-in circuitry is used to assist in the test, maintenance and support of functional circuit blocks. The circuitry includes a standard interface through which instructions and test data are communicated. A set of test features is defined, including a boundary-scan register so that a component is able to respond to a minimum set of test instructions.

**GENERAL DESCRIPTION**

**Figure 1-1. Functional description.**



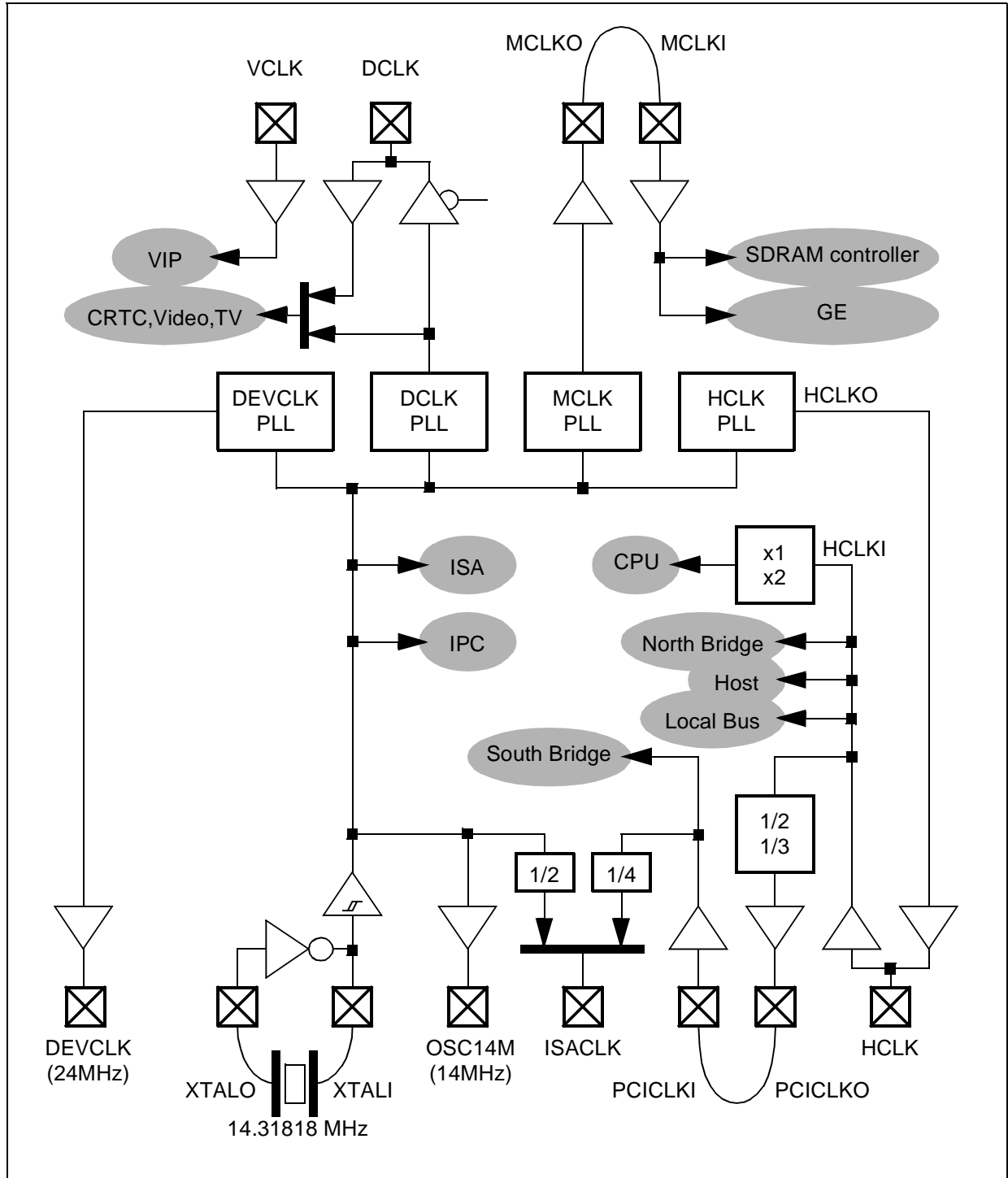


1.8. CLOCK TREE

The STPC Atlas integrates many features and generates all its clocks from a single 14MHz oscillator. This results in multiple clock domains as described in Figure 1-2.

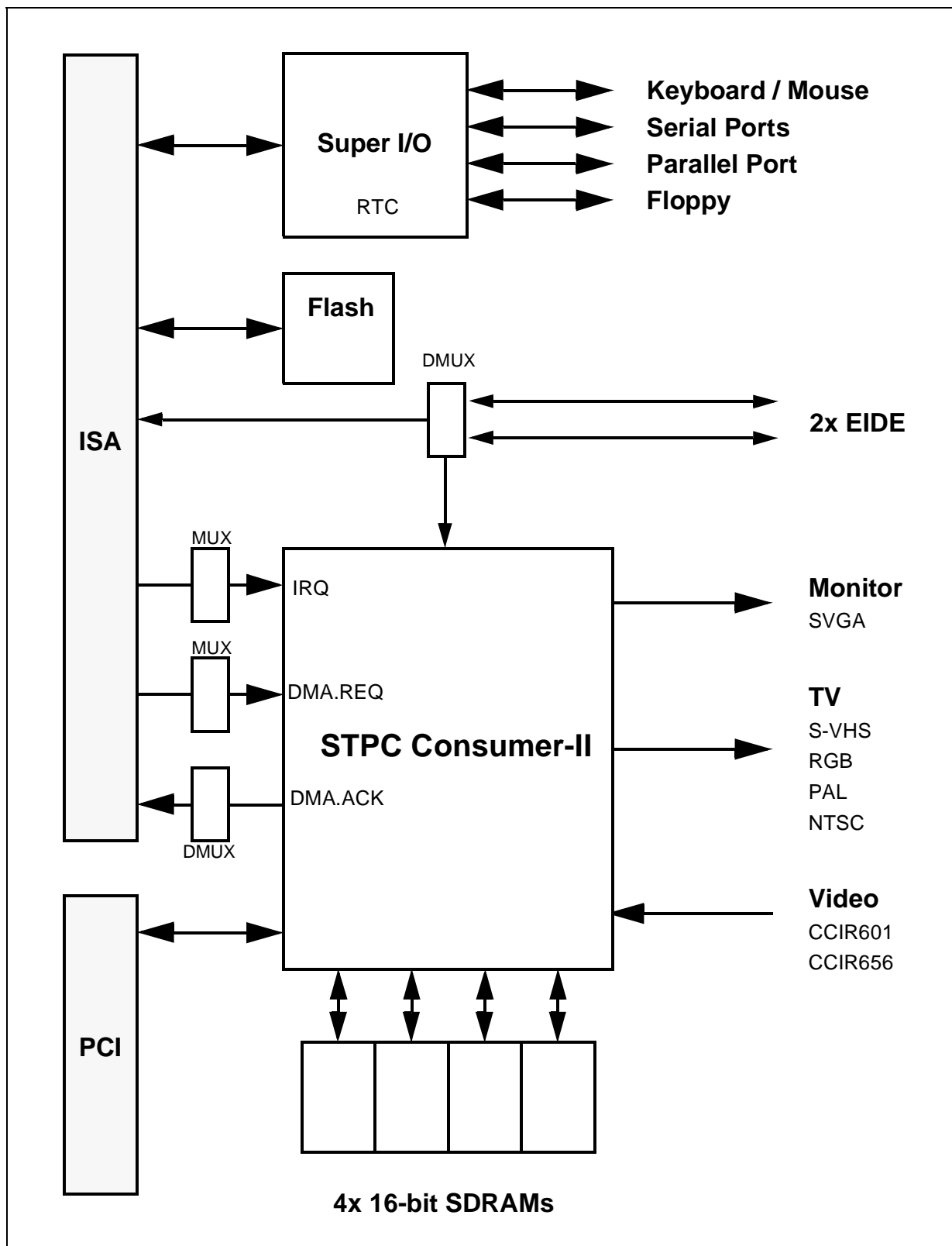
The speed of the PLLs is either fixed (DEVCLK), either programmable by strap option (HCLK) either programmable by software (DCLK, MCLK). When in synchronized mode, MCLK speed is fixed to HCLKO speed and HCLKI is generated from MCLKI.

Figure 1-2. STPC Consumer-II clock architecture



# GENERAL DESCRIPTION

Figure 1-3. Typical ISA-based Application.



## 2. PIN DESCRIPTION

### 2.1. INTRODUCTION

The STPC Consumer-II integrates most of the functionality of the PC architecture. As a result, many of the traditional interconnections between the host PC microprocessor and the peripheral devices are totally internal to the STPC Consumer-II. This offers improved performance due to the tight coupling of the processor core and these peripherals. As a result, many of the external pin connections are made directly to the on-chip peripheral functions.

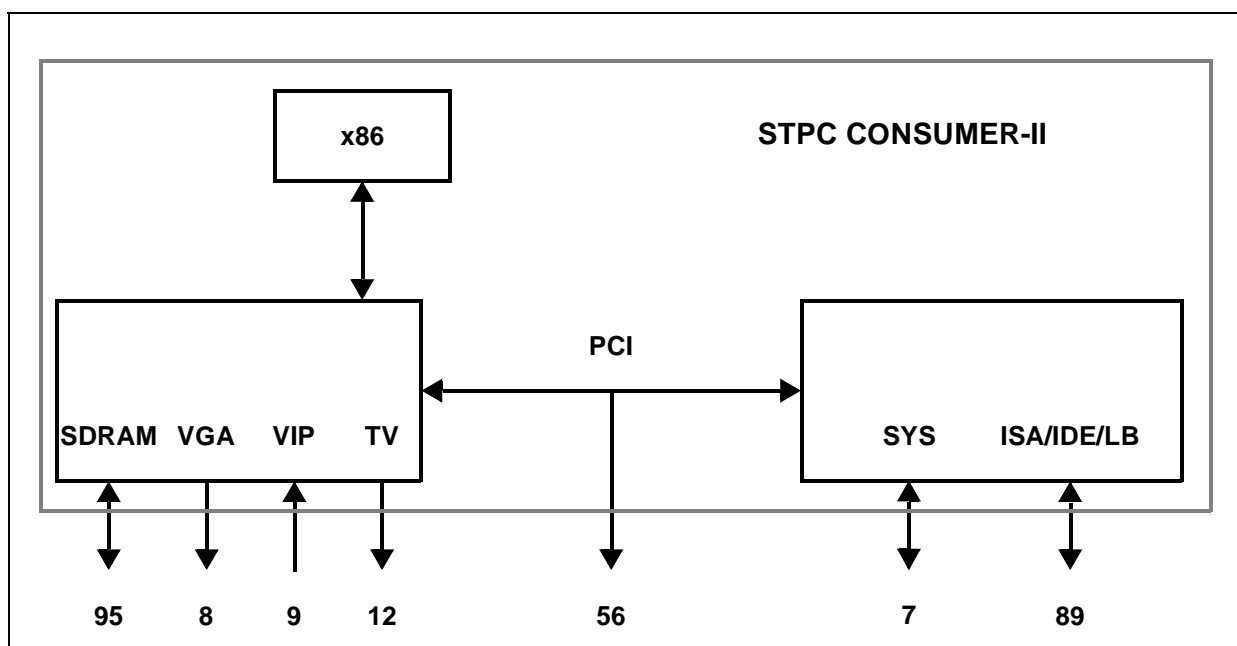
Figure 2-1 shows the STPC Consumer-II external interfaces. It defines the main buses and their functions. Table 2-1 describes the physical implementation, listing signal type and functionality. Table 2-2 provides a full pin listing and description of pins. Table 2-7 provides a full listing of pin locations of the STPC Consumer-II package by physical connection.

Table 2-1. Signal Description

Group name	Qty
Basic Clocks reset & Xtal (SYS)	7
SDRAM Controller	95
PCI interface	56
ISA	79
IDE	34
Local Bus	49
Video Input	9
TV Output	12
VGA Monitor interface	8
Grounds	71
V <sub>DD</sub>	26
Miscellaneous	9
Unconnected	6
Total Pin Count	388

Note: Several interface pins are multiplexed with other functions, refer to Table 2-4 and Table 2-5 for further details

Figure 2-1. STPC Consumer-II External Interfaces



## PIN DESCRIPTION

**Table 2-2. Definition of Signal Pins**

Signal Name	Dir	Buffer Type <sup>2</sup>	Description	Qty
<b>BASIC CLOCKS AND RESETS</b>				
SYSRSETI#	I	SCHMITT_FT	System Power Good Input	1
SYSRSTO#	O	BD8STRP_FT	System Reset Output	1
XTALI	I	ANA	14.3 MHz Crystal Input- External Oscillator Input	1
XTALO	I/O	OSCI13B	14.3 MHz Crystal Output	1
HCLK	I/O	BD4STRP_FT	Host Clock (Test)	1
DEV_CLK	O	BT8TRP_TC	24 MHz Peripheral Clock (floppy drive)	1
DCLK	I/O	BD4STRP_FT	27-135 MHz Graphics Dot Clock	1
V <sub>DD_XXX_PLL</sub> <sup>1</sup>		VDDCO	Power Supply for PLL Clocks	
<b>SDRAM CONTROLLER</b>				
MCLKI	I	TLCHT_TC	Memory Clock Input	1
MCLKO	O	BT8TRP_TC	Memory Clock Output	1
CS#[1:0]	O	BD8STRP_TC	DIMM Chip Select	2
CS2# / MA11	O	BD16STARUQP_TC	DIMM Chip Select / Memory Address	1
CS3# / MA12 / BA1	O	BD16STARUQP_TC	DIMM Chip Select / Memory Address / Bank Address	1
BA[0]	O	BD8STRP_TC	Bank Address	1
MA[10:0]	O	BD16STARUQP_TC	Memory Row & Column Address	12
MD[63:49]	I/O	BD8STRUP_FT	Memory Data	15
MD[48:1]	I/O	BD8TRP_TC	Memory Data	48
MD[0]	I/O	BD8STRUP_FT	Memory Data	1
RAS#[1:0]	O	BD16STARUQP_TC	Row Address Strobe	2
CAS#[1:0]	O	BD16STARUQP_TC	Column Address Strobe	2
MWE#	O	BD16STARUQP_TC	Write Enable	1
DQM[7:0]	O	BD8STRP_TC	Data Input/Output Mask	8
<b>PCI CONTROLLER</b>				
PCI_CLKI	I	TLCHT_FT	33 MHz PCI Input Clock	1
PCI_CLKO	O	BT8TRP_TC	33 MHz PCI O/P Clk (from internal PLL)	1
AD[31:0]	I/O	BD8PCIARP_FT	PCI Address / Data	32
CBE[3:0]	I/O	BD8PCIARP_FT	Bus Commands / Byte Enables	4
FRAME#	I/O	BD8PCIARP_FT	Cycle Frame	1
IRDY#	I/O	BD8PCIARP_FT	Initiator Ready	1
TRDY#	I/O	BD8PCIARP_FT	Target Ready	1
LOCK#	I	TLCHT_FT	PCI Lock	1
DEVSEL#	I/O	BD8PCIARP_FT	Device Select	1
STOP#	I/O	BD8PCIARP_FT	Stop Transaction	1
PAR	I/O	BD8PCIARP_FT	Parity Signal Transactions	1
SERR#	O	BD8PCIARP_FT	System Error	1
PCIREQ#[2:0]	I	BD8PCIARP_FT	PCI Request	3
PCIGNT#[2:0]	O	BD8PCIARP_FT	PCI Grant	3
PCI_INT#[3:0]	I	BD4STRUP_FT	PCI Interrupt Request	4
<p>Note<sup>1</sup>: These pins are must be connected to the 2.5 V power supply. They <b>must not</b> be connected to the 3.3 V supply.</p> <p>Note<sup>2</sup>: See <a href="#">Table 2-3</a> for buffer type descriptions</p>				

Table 2-2. Definition of Signal Pins

Signal Name	Dir	Buffer Type <sup>2</sup>	Description	Qty
<b>ISA INTERFACE</b>				
ISA_CLK	O	BT8TRP_TC	ISA Clock Output Multiplexer Select Line For IPC	1
ISA_CLK2X	O	BT8TRP_TC	ISA Clock x2 Output Multiplexer Select Line For IPC	1
OSC14M	O	BD8STRP_FT	ISA bus synchronisation clock	1
LA[23:17]	O	BD8STRUP_FT	Unlatched Address	7
SA[19:0]	I/O	BD8STRUP_FT	Latched Address	20
SD[15:0]	I/O	BD8STRP_FT	Data Bus	16
ALE	O	BD4STRP_FT	Address Latch Enable	1
MEMR#, MEMW#	I/O	BD8STRUP_FT	Memory Read and Write	2
SMEMR#, SMEMW#	O	BD8STRP_FT	System MemoryRead and Write	2
IOR#, IOW#	I/O	BD8STRUP_FT	I/O Read and Write	2
MCS16#, IOCS16#	I	BD4STRUP_FT	Memory and I/O ChipSelect16	2
BHE#	O	BD8STRUP_FT	System Bus High Enable	1
ZWS#	I	BD4STRP_FT	Zero Wait State	1
REF#	O	BD8STRP_FT	Refresh Cycle.	1
MASTER#	I	BD4STRUP_FT	Add On Card Owns Bus	1
AEN	O	BD8STRUP_FT	Address Enable	1
IOCHCK#	I	BD4STRUP_FT	I/O Channel Check.	1
IOCHRDY	I/O	BD8STRUP_FT	I/O Channel Read	1
ISAOE#	O	BD4STRP_FT	ISA/IDE Selection	1
GPIOCS#	I/O	BD4STRP_FT	General Purpose Chip Select	1
IRQ_MUX[3:0]	I	BD4STRP_FT	Time-Multiplexed Interrupt Request	4
DREQ_MUX[1:0]	I	BD4STRP_FT	Time-Multiplexed DMA Request	2
DACK_ENC[2:0]	O	BD4STRP_FT	Encoded DMA Acknowledge	3
TC	O	BD4STRP_FT	ISA Terminal Count	1
RTCAS	O	BD4STRP_FT	Real Time Clock Address Strobe	1
RMRTCCS#	I/O	BD4STRP_FT	ROM/RTC Chip Select	1
KBCS#	I/O	BD4STRP_FT	Keyboard Chip Select	1
RTCW#	I/O	BD4STRP_FT	RTC Read/Write	1
RTCDS#	I/O	BD4STRP_FT	RTC Data Strobe	1
<b>LOCAL BUS INTERFACE</b>				
PA[23:0]	O	BD4STRP_FT	Address Bus	24
PD[15:0]	I/O	BD8STRP_FT	Data Bus	16
PRD1#, PRD0#	O	BD4STRUP_FT	Peripheral Read Control	2
PWR1#, PWR0#	O	BD4STRUP_FT	Peripheral Write Control	2
PRDY	I	BD8STRUP_FT	Data Ready	1
FCS1#, FCS0#	O	BD4STRP_FT	Flash Chip Select	2
IOCS#[3:0]	O	BD8STRUP_FT	I/O Chip Select	4
<b>IDE CONTROLLER</b>				
DA[2:0]	O	BD8STRUP_FT	Address Bus	3
DD[15:0]	I/O	BD8STRUP_FT	Data Bus	16
Note <sup>1</sup> : These pins are must be connected to the 2.5 V power supply. They <b>must not</b> be connected to the 3.3 V supply.				
Note <sup>2</sup> : See <a href="#">Table 2-3</a> for buffer type descriptions				

## PIN DESCRIPTION

**Table 2-2. Definition of Signal Pins**

Signal Name	Dir	Buffer Type <sup>2</sup>	Description	Qty
PCS3#,PCS1#,SCS3#,SCS1#	O	BD8STRUP_FT	Primary & Secondary Chip Selects	4
DIORDY	O	BD8STRUP_FT	Data I/O Ready	1
PIRQ, SIRQ	I	BD4STRP_FT	Primary & Secondary Interrupt Request	2
PDRQ, SDRQ	I	BD4STRP_FT	Primary & Secondary DMA Request	2
PDACK#, SDACK#	O	BD8STRP_FT	Primary & Secondary DMA Acknowledge	2
PDIOR#, SDIOR#	O	BD8STRUP_FT	Primary & Secondary I/O Channel Read	2
PDIOW#, SDIOW#	O	BD8STRUP_FT	Primary & Secondary I/O Channel Write	2
<b>VGA CONTROLLER</b>				
RED, GREEN, BLUE	O	VDDCO	Analog Red, Green, Blue	3
VSYNC	O	BD4STRP_FT	Vertical Sync	1
HSYNC	O	BD4STRP_FT	Horizontal Sync	1
VREF_DAC <sup>1</sup>	I	ANA	DAC Voltage reference	1
RSET	I	ANA	Resistor Set	1
COMP	I	ANA	Compensation	1
COL_SEL	O	BD4STRP_FT	Colour Select	1
<b>VIDEO INPUT PORT</b>				
VCLK	I	BD8STRP_FT	27-33 MHz Video Input Port Clock	1
VIN[7:0]	I	BD4STRP_FT	CCIR 601 or 656 YUV Video Data Input	8
<b>ANALOG TV OUTPUT PORT</b>				
RED_TV, GREEN_TV, BLUE_TV	O	VDDCO	Analog RGB or S-VHS outputs	3
CVBS	O	VDDCO	Analog video composite output	1
IREF1_TV	I	ANA	Reference current of CVBS DAC	1
VREF1_TV	I	ANA	Reference voltage of CVBS DAC	1
IREF2_TV	I	ANA	Reference current of RGB DAC	1
VREF2_TV	I	ANA	Reference voltage of RGB DAC	1
VSSA_TV	I		Analog Vss for DAC	1
VDDA_TV	I	VDDCO	Analog Vdd for DAC	1
VCS	I/O	BD4STRP_FT	Composite Synchro Horizontal Line Synchro	1
ODD_EVEN	I/O	BD4STRP_FT	Frame Synchronisation	1
<b>MISCELLANEOUS</b>				
SPKRD	O	BD4STRP_FT	Speaker Device Output	1
SCL	I/O	BD4STRUP_FT	I <sup>2</sup> C Interface - Clock Can be used for VGA DDC[1] signal	1
SDA	I/O	BD4STRUP_FT	I <sup>2</sup> C Interface - Data Can be used for VGA DDC[0] signal	1
SCAN_ENABLE	I	TLCHTD_TC	Reserved (Test pin)	1
TCLK	I	TLCHT_FT	Test Clock	1
TDI	I	TLCHT_FT	Test Data Input	1
TMS	I	TLCHT_FT	Test Mode Set	1
TDO	O	BT8TRP_TC	Test Data output	1
Note <sup>1</sup> : These pins are must be connected to the 2.5 V power supply. They <b>must not</b> be connected to the 3.3 V supply.				
Note <sup>2</sup> : See <a href="#">Table 2-3</a> for buffer type descriptions				

Table 2-3. Buffer Type Descriptions

Buffer	Description
ANA	Analog pad buffer
OSCI13B	Oscillator, 13 MHz, HCMOS
BT8TRP_TC	Tri-State output buffer, 8 mA drive capability, Schmitt trigger with slew rate control and P, TC
BD4STRP_FT	LVTTL Bi-Directional, 4 mA drive capability, Schmitt trigger, 5V tolerant
BD4STRUP_FT	LVTTL Bi-Directional, 4 mA drive capability, Schmitt trigger, Pull-Up, 5V tolerant
BD8STRP_FT	LVTTL Bi-Directional, 8 mA drive capability, Schmitt trigger, 5V tolerant
BD8STRUP_FT	LVTTL Bi-Directional, 8 mA drive capability, Schmitt trigger, Pull-Up, 5V tolerant
BD8STRP_TC	LVTTL Bi-Directional, 8 mA drive capability, Schmitt trigger
BD8TRP_TC	LVTTL Bi-Directional, 8 mA drive capability, Schmitt trigger
BD8PCIARP_FT	LVTTL Bi-Directional, 8 mA drive capability, PCI compatible, 5V tolerant
BD16STARUQP_TC	LVTTL Bi-Directional, 16 mA drive capability, Schmitt trigger
SCHMITT_FT	LVTTL Input, Schmitt trigger, 5V tolerant
TLCHT_FT	LVTTL Input, 5V tolerant
TLCHT_TC	LVTTL Input
TLCHTD_TC	LVTTL Input, Pull-Down
VDDCO	Internal supply for core only power pad

## PIN DESCRIPTION

---

### 2.2. SIGNAL DESCRIPTIONS

#### 2.2.1. BASIC CLOCKS AND RESETS

**SYSRSTI#** *System Reset/Power good.* This input is low when the reset switch is depressed. Otherwise, it reflects the power supply power good signal. This input is asynchronous to all clocks, and acts as a negative active reset. The reset circuit initiates a hard reset on the rising edge of this signal.

**SYSRSTO#** *Reset Output to System.* This is the system reset signal and is used to reset the rest of the components (not on Host bus) in the system. The ISA bus reset is an externally inverted buffered version of this output and the PCI bus reset is an externally buffered version of this output.

**XTALI** *14.3 MHz Crystal Input*

**XTALO** *14.3 MHz Crystal Output.* These pins are provided for the connection of an external 14.318 MHz crystal to provide the reference clock for the internal frequency synthesizer, from which all other clock signals are generated.

The 14.318 MHz series-cut fundamental (not overtone) mode quartz crystal must have an Equivalent Series Resistance (ESR, sometimes referred to as  $R_m$ ) of less than 50 Ohms (typically 8 Ohms) and a shunt capacitance ( $C_o$ ) of less than 7 pF. Balance capacitors of 16 pF should also be added, one connected to each pin.

In the event of an external oscillator providing the master clock signal to the STPC Consumer-II device, the LVTTTL signal should be connected to XTALI.

**HCLK** *Host Clock.* This clock supplies the CPU and the host related blocks. This clock can be doubled inside the CPU and is intended to operate in the range of 25 MHz to 100 MHz. This clock is generated internally from a PLL but can be driven directly from the external system.

**DEV\_CLK** *24 MHz Peripheral Clock.* This 24 MHz signal is provided as a convenience for the system integration of a Floppy Disk driver function in an external chip.

**DCLK** *135 MHz Dot Clock.* This is the dot clock, which drives graphics display cycles. Its frequency can go from 8 MHz (using internal PLL) up to 135 MHz, and it is required to have a worst case duty cycle of 60-40.

This signal is driven either by the internal pll (VGA) or by an external 27 MHz oscillator (when the composite video output is enabled). The direction can be controlled by a strap option or an internal register bit.

#### 2.2.2. SDRAM CONTROLLER

**MCLKO** *Memory Clock Output.* This clock is driving the DIMMs on board and is generated from an internal PLL. The default value is 66 MHz.

**MCLKI** *Memory Clock Input.* This clock is driving the SDRAM controller, the graphics engine and display controller. This input should be a buffered version of the MCLKO signal with the track lengths between the buffer and the pin matched with the track lengths between the buffer and the DIMMs.

**CS#[1:0]** *Chip Select* These signals are used to disable or enable device operation by masking or enabling all SDRAM inputs except MCLK, CKE, and DQM.

**CS#[2]/MA[11]** *Chip Select/Bank Address* This pin is CS#[2] in the case when 16-Mbit devices are used. For all other densities, it becomes MA[11].

**CS#[3]/MA[12]/BA[1]** *Chip Select/Memory Address/Bank Address* This pin is CS#[3] in the case when 16-Mbit devices are used. For all other densities, it becomes MA[12] when two internal banks devices are used and BA[1] when four internal bank devices are used.

**MA[10:0]** *Memory Address.* Multiplexed row and column address lines.

**BA[0]** *Memory Bank Address.*

**MD[63:0]** *Memory Data.* This is the 64-bit memory data bus. MD[40-0] are read by the device strap option registers during rising edge of SYSRSTI#.

**RAS#[1:0]** *Row Address Strobe.* There are two active-low row address strobe output signals. The RAS# signals drive the memory devices directly without any external buffering.

**CAS#[1:0]** *Column Address Strobe.* There are two active-low column address strobe output signals. The CAS# signals drive the memory devices directly without any external buffering.

**MWE#** *Write Enable.* Write enable specifies whether the memory access is a read (MWE# = H) or a write (MWE# = L).

**DQM#[7:0]** *Data Mask.* Makes data output Hi-Z after the clock and masks the SDRAM outputs. Blocks SDRAM data input when DQM active.

#### 2.2.3. PCI CONTROLLER

**PCI\_CLKI** *33 MHz PCI Input Clock.* This signal is the PCI bus clock input and should be driven from the PCI\_CLKO pin.



**PCI\_CLKO** 33 MHz PCI Output Clock. This is the master PCI bus clock output.

**AD[31:0]** PCI Address/Data. This is the 32-bit multiplexed address and data bus of the PCI. This bus is driven by the master during the address phase and the data phase of write transactions. It is driven by the target during the data phase of read transactions.

**CBE#[3:0]** Bus Commands/Byte Enables. These are the multiplexed command and byte enable signals of the PCI bus. During the address phase they define the command and during the data phase they carry the byte enable information. These pins are inputs when a PCI master other than the STPC Consumer-II owns the bus and outputs when the STPC Consumer-II owns the bus.

**FRAME#** Cycle Frame. This is the frame signal of the PCI bus. It is an input when a PCI master owns the bus and is an output when STPC Consumer-II owns the PCI bus.

**IRDY#** Initiator Ready. This is the initiator ready signal of the PCI bus. It is used as an output when the STPC Consumer-II initiates a bus cycle on the PCI bus. It is used as an input during the PCI cycles targeted to the STPC Consumer-II to determine when the current PCI master is ready to complete the current transaction.

**TRDY#** Target Ready. This is the target ready signal of the PCI bus. It is driven as an output when the STPC Consumer-II is the target of the current bus transaction. It is used as an input when STPC Consumer-II initiates a cycle on the PCI bus.

**LOCK#** PCI Lock. This is the lock signal of the PCI bus and is used to implement the exclusive bus operations when acting as a PCI target agent.

**DEVSEL#** I/O Device Select. This signal is used as an input when the STPC Consumer-II initiates a bus cycle on the PCI bus to determine if a PCI slave device has decoded itself to be the target of the current transaction. It is asserted as an output, either when the STPC Consumer-II is the target of the current PCI transaction, or when no other device asserts DEVSEL# prior to the subtractive decode phase of the current PCI transaction.

**STOP#** Stop Transaction. Stop is used to implement the disconnect, retry and abort protocol of the PCI bus. It is used as an input for the bus cycles initiated by the STPC Consumer-II and is used as an output when a PCI master cycle is targeted to the STPC Consumer-II.

**PAR** Parity Signal Transactions. This is the parity signal of the PCI bus. This signal is used to

guarantee even parity across AD[31:0], CBE#[3:0], and PAR. This signal is driven by the master during the address phase and data phase of write transactions. It is driven by the target during data phase of read transactions (its assertion is identical to that of the AD bus delayed by one PCI clock cycle).

**SERR#** System Error. This is the system error signal of the PCI bus. It may, if enabled, be asserted for one PCI clock cycle if target aborts a STPC Consumer-II initiated PCI transaction. Its assertion by either the STPC Consumer-II or by another PCI bus agent will trigger the assertion of NMI to the host CPU. This is an open drain output.

**PCIREQ#[2:0]** PCI Request. These are the three external PCI master request pins. They indicate to the PCI arbiter that external agents desire use of the bus.

**PCIGNT#[2:0]** PCI Grant. These pins indicate that the PCI bus has been granted to the master requesting it on its PCIREQ#.

**PCI\_INT#[3:0]** PCI Interrupt Request. These are the PCI bus interrupt signals.

#### 2.2.4. ISA INTERFACE

**ISA\_CLK, ISA\_CLKX2** ISA Clock x1, x2. These pins generate the Clock signal for the ISA bus and a Doubled Clock signal. They are also used as the multiplexer control lines for the Interrupt Controller Interrupt input lines. ISA\_CLK is generated from either PCICLK/4 or OSC14M/ 2.

**OSC14M** ISA bus synchronisation clock Output. This is the buffered 14.318 MHz clock for the ISA bus.

**LA[23:17]** Unlatched Address. When the ISA bus is active, these pins are ISA Bus unlatched address for 16-bit devices. When ISA bus is accessed by any cycle initiated from PCI bus, these pins are in output mode. When an ISA bus master owns the bus, these pins are in input mode.

**SA[19:0]** ISA Address Bus. System address bus of ISA on 8-bit slot. These pins are used as an input when an ISA bus master owns the bus and are outputs at all other times.

**SD[15:0]** I/O Data Bus. These pins are the external data bus to the ISA bus.

**ALE** Address Latch Enable. This is the address latch enable output of the ISA bus and is asserted by the STPC Consumer-II to indicate that LA23-17, SA19-0, AEN and SBHE# signals are valid. The ALE is driven high during refresh, DMA

## PIN DESCRIPTION

---

master or an ISA master cycles by the STPC Consumer-II. ALE is driven low after reset.

**MEMR#** *Memory Read*. This is the memory read command signal of the ISA bus. It is used as an input when an ISA master owns the bus and is an output at all other times.  
The MEMR# signal is active during refresh.

**MEMW#** *Memory Write*. This is the memory write command signal of the ISA bus. It is used as an input when an ISA master owns the bus and is an output at all other times.

**SMEMR#** *System Memory Read*. The STPC Consumer-II generates SMEMR# signal of the ISA bus only when the address is below one megabyte or the cycle is a refresh cycle.

**SMEMW#** *System Memory Write*. The STPC Consumer-II generates the SMEMW# signal of the ISA bus only when the address is below one megabyte.

**IOR#** *I/O Read*. This is the IO read command signal of the ISA bus. It is an input when an ISA master owns the bus and is an output at all other times.

**IOW#** *I/O Write*. This is the IO write command signal of the ISA bus. It is an input when an ISA master owns the bus and is an output at all other times.

**MCS16#** *Memory Chip Select16*. This is the decode of LA23-17 address pins of the ISA address bus without any qualification of the command signal lines. MCS16# is always an input. The STPC Consumer-II ignores this signal during IO and refresh cycles.

**IOCS16#** *IO Chip Select16*. This signal is the decode of SA15-0 address pins of the ISA address bus without any qualification of the command signals. The STPC Consumer-II does not drive IOCS16# (similar to PC-AT design). An ISA master access to an internal register of the STPC Consumer-II is executed as an extended 8-bit IO cycle.

**BHE#** *System Bus High Enable*. This signal, when asserted, indicates that a data byte is being transferred on SD15-8 lines. It is used as an input when an ISA master owns the bus and is an output at all other times.

**ZWS#** *Zero Wait State*. This signal, when asserted by an addressed device, indicates that the current cycle can be shortened.

**REF#** *Refresh Cycle*. This is the refresh command signal of the ISA bus. It is driven as an output when the STPC Consumer-II performs a refresh cycle on the ISA bus. It is used as an input when

an ISA master owns the bus and is used to trigger a refresh cycle.

The STPC Consumer-II performs a pseudo hidden refresh. It requests the host bus for two host clocks to drive the refresh address and capture it in external buffers. The host bus is then relinquished while the refresh cycle continues on the ISA bus.

**MASTER#** *Add On Card Owns Bus*. This signal is active when an ISA device has been granted bus ownership.

**AEN** *Address Enable*. Address Enable is enabled when the DMA controller is the bus owner to indicate that a DMA transfer will occur. The enabling of the signal indicates to IO devices to ignore the IOR#/IOW# signal during DMA transfers.

**IOCHCK#** *IO Channel Check*. IO Channel Check is enabled by any ISA device to signal an error condition that can not be corrected. The NMI signal becomes active on seeing IOCHCK# active if the corresponding bit in Port B is enabled.

**IOCHRDY** *Channel Ready*. IOCHRDY is the IO channel ready signal of the ISA bus and is driven as an output in response to an ISA master cycle targeted to the host bus or an internal register of the STPC Consumer-II. The STPC Consumer-II monitors this signal as an input when performing an ISA cycle on behalf of the host CPU, DMA master or refresh.

ISA masters which do not monitor IOCHRDY are not guaranteed to work with the STPC Consumer-II since the access to the system memory can be considerably delayed due UMA architecture.

**ISAOE#** *Bidirectional OE Control*. This signal controls the OE signal of the external transceiver that connects the IDE DD bus and ISA SA bus.

**GPIOCS#** *I/O General Purpose Chip Select*. This output signal is used by the external latch on ISA bus to latch the data on the SD[7:0] bus. The latch can be used by PMU unit to control the external peripheral devices or any other desired function.

**IRQ\_MUX[3:0]** *Multiplexed Interrupt Request*. These are the ISA bus interrupt signals. They have to be encoded before connection to the STPC Consumer-II using ISACLK and ISACLKX2 as the input selection strobes.

Note that IRQ8B, which by convention is connected to the RTC, is inverted before being sent to the interrupt controller, so that it may be connected directly to the IRQ pin of the RTC.

**DREQ\_MUX[1:0]** *ISA Bus Multiplexed DMA Request*. These are the ISA bus DMA request signals. They are to be encoded before connection to the STPC Consumer-II using

ISACLK and ISACLKX2 as the input selection strobes.

**DACK\_ENC[2:0]** *DMA Acknowledge*. These are the ISA bus DMA acknowledge signals. They are encoded by the STPC Consumer-II before output and should be decoded externally using ISACLK and ISACLKX2 as the control strobes.

**TC** *ISA Terminal Count*. This is the terminal count output of the DMA controller and is connected to the TC line of the ISA bus. It is asserted during the last DMA transfer, when the byte count expires.

**RTCAS** *Real time clock address strobe*. This signal is asserted for any I/O write to port 70H.

**RMRTCCS#** *ROM/Real Time clock chip select*. This signal is asserted if a ROM access is decoded during a memory cycle. It should be combined with MEMR# or MEMW# signals to properly access the ROM. During a IO cycle, this signal is asserted if access to the Real Time Clock (RTC) is decoded. It should be combined with IOR or IOW# signals to properly access the real time clock.

**KBCS#** *Keyboard Chip Select*. This signal is asserted if a keyboard access is decoded during a I/O cycle.

**RTCRW#** *Real Time Clock  $\overline{RW}$* . This pin is a multi-function pin. When ISAOE# is active, this signal is used as RTCRW#. This signal is asserted for any I/O write to port 71H.

**RTCDS#** *Real Time Clock DS*. This pin is a multi-function pin. When ISAOE# is active, this signal is used as RTCDS#. This signal is asserted for any I/O read to port 71H. Its polarity complies with the DS pin of the MT48T86 RTC device when configured with Intel timings.

Note: RMRTCCS#, KBCS#, RTCRW# and RTCDS# signals must be ORed externally with ISAOE# and then connected to the external device. An LS244 or equivalent function can be used if OE# is connected to ISAOE# and the output is provided with a weak pull-up resistor as shown in [Figure 6-10](#).

### 2.2.5. LOCAL BUS INTERFACE

**PA[23:0]** *Address Bus Output*.

**PD[15:0]** *Data Bus*. This is the 16-bit data bus. D[7:0] is the LSB and PD[15:8] is the MSB.

**PRD#[1:0]** *Read Control output*. PRD0# is used to read the LSB and PRD1# to read the MSB.

**PWR#[1:0]** *Write Control output*. PWR0# is used to write the LSB and PWR1# to write the MSB.

**PRDY** *Data Ready input*. This signal is used to create wait states on the bus. When high, it completes the current cycle.

**FCS#[1:0]** *Flash Chip Select output*. These are the Programmable Chip Select signals for up to two banks of Flash memory.

**IOCS#[3:0]** *I/O Chip Select output*. These are the Programmable Chip Select signals for up to four external I/O devices.

### 2.2.6. IDE INTERFACE

**SCS1#, SCS3#** *Secondary Chip Select*. These signals are used as the active high secondary master & slave IDE chip select signals. These signals must be externally ANDed with the ISAOE# signal before driving the IDE devices to guarantee it is active only when ISA bus is idle.

**DA[2:0]** *Address*. These signals are connected to DA[2:0] of IDE devices directly or through a buffer. If the toggling of signals are to be masked during ISA bus cycles, they can be externally ORed with ISAOE# before being connected to the IDE devices.

**DD[15:0]** *Databus*. When the IDE bus is active, they serve as IDE signals DD[11:0]. IDE devices are connected to SA[19:8] directly and ISA bus is connected to these pins through two LS245 transceivers as described in [Figure 6-10](#).

**PCS1#, PCS3#** *Primary Chip Select*. These signals are used as the active high primary master & slave IDE chip select signals. These signals must be externally ANDed with the ISAOE# signal before driving the IDE devices to guarantee it is active only when ISA bus is idle.

**DIORDY** *Busy/Ready*. This pin serves as IDE signal DIORDY.

**PIRQ** *Primary Interrupt Request*.

**SIRQ** *Secondary Interrupt Request*.  
Interrupt request from IDE channels.

**PDRQ** *Primary DMA Request*.

**SDRQ** *Secondary DMA Request*.  
DMA request from IDE channels.

**PDACK#** *Primary DMA Acknowledge*.

**SDACK#** *Secondary DMA Acknowledge*.  
DMA acknowledge to IDE channels.

**PDIOR#, PDIOW#** *Primary I/O Read & Write*.

**SDIOR#, SDIOW#** *Secondary I/O Read & Write*.  
Primary & Secondary channel read & write.

## PIN DESCRIPTION

### 2.2.7. VGA CONTROLLER

**RED, GREEN, BLUE RGB Video Outputs.** These are the three analog colour outputs from the RAMDACs. These signals are sensitive to interference, therefore they need to be properly shielded.

**VSYNC Vertical Synchronisation Pulse.** This is the vertical synchronization signal from the VGA controller.

**HSYNC Horizontal Synchronisation Pulse.** This is the horizontal synchronization signal from the VGA controller.

**VREF\_DAC DAC Voltage reference.** An external voltage reference is connected to this pin to bias the DAC.

**RSET Resistor Current Set.** This reference current input to the RAMDAC is used to set the full-scale output of the RAMDAC.

**COMP Compensation.** This is the RAMDAC compensation pin. Normally, an external capacitor (typically 10nF) is connected between this pin and  $V_{DD}$  to damp oscillations.

### 2.2.8. VIDEO INPUT PORT

**VCLK Pixel Clock Input.** This signal is used to synchronise data being transferred from an external video device to either the frame buffer, or alternatively out the TV output in bypass mode. This pin can be sourced from STPC if no external VCLK is detected, or can be input from an external video clock source.

**VIN[7:0] YUV Video Data Input CCIR 601 or 656.** Time multiplexed 4:2:2 luminance and chrominance data as defined in ITU-R Rec601-2 and Rec656 (except for TTL input levels). This bus typically carries a stream of Cb,Y,Cr,Y digital video at VCLK frequency, clocked on the rising edge (by default) of VCLK.

### 2.2.9. ANALOG TV OUTPUT PORT

**RED\_TV / C\_TV Analog video outputs synchronized with CVBS.** This output is current-driven and must be connected to analog ground over a load resistor ( $R_{LOAD}$ ). Following the load resistor, a simple analog low pass filter is recommended. In S-VHS mode, this is the Chrominance Output.

**GREEN\_TV / Y\_TV Analog video outputs synchronized with CVBS.** This output is current-driven and must be connected to analog ground over a load resistor ( $R_{LOAD}$ ). Following the load resistor, a simple analog low pass filter is

recommended. In S-VHS mode, this is the Luminance Output.

**BLUE\_TV / CVBS Analog video outputs synchronized with CVBS.** This output is current-driven and must be connected to analog ground over a load resistor ( $R_{LOAD}$ ). Following the load resistor, a simple analog low pass filter is recommended. In S-VHS mode, this is a second composite output.

**CVBS Analog video composite output (luminance/chrominance).** CVBS is current-driven and must be connected to analog ground over a load resistor ( $R_{LOAD}$ ). Following the load resistor, a simple analog low pass filter is recommended.

**IREF1\_TV Ref. current for CVBS 10-bit DAC.**

**IREF2\_TV Reference current for RGB 10-bit DAC.**

**VREF1\_TV Ref. voltage for CVBS 10-bit DAC.** Connect to analog ground.

**VREF2\_TV Reference voltage for RGB 10-bit DAC.** Connect to analog ground.

**VSSA\_TV Analog  $V_{SS}$  for DACs.**

**VDDA\_TV Analog  $V_{DD}$  for DACs.**

JTAG Signals

**VCS Line synchronisation Output.** This pin is an input in ODDEV+HSYNC or VSYNC + HSYNC or VSYNC slave modes and an output in all other modes (master/slave)

**ODD\_EVEN Frame Synchronisation Output.** This pin supports the Frame synchronisation signal. It is an input in slave modes, except when sync is extracted from YCrCb data, and an output in master mode and when sync is extracted from YCrCb data. The signal is synchronous to rising edge of DCLK. The default polarity for this pin is:  
- odd (not-top) field: LOW level  
- even (bottom) field: HIGH level

### 2.2.10. MISCELLANEOUS

**SPKRD Speaker Drive.** This the output to the speaker. It is an AND of the counter 2 output with bit 1 of Port 61, and drives an external speaker driver. This output should be connected to 7407 type high voltage driver.

**SCL, SDA I<sup>2</sup>C Interface.** These bidirectional pins are connected to CRTC register 3Fh to implement DDC capabilities. They conform to I<sup>2</sup>C electrical specifications, they have open-collector output drivers which are internally connected to  $V_{DD}$  through pull-up resistors.

## PIN DESCRIPTION

---

They can be used for the DDC1 (SCL) and DDC0 (SDA) lines of the VGA interface.

**SCAN\_ENABLE** *Reserved.* The pin is reserved for Test and Miscellaneous functions.

**COL\_SEL** *Colour Select.* Can be used for Picture in Picture function. Note however that this signal, brought out from the video pipeline, is not in sync with the VGA output signals, i.e. the VGA signals run four clock cycles after the Col\_Sel signal.

**VDD\_CORE** *2.5 V Power Supply.* These power pins are necessary to supply the core with 2.5 V.

**TCLK** *Test clock*

**TDI** *Test data input*

**TMS** *Test mode input*

**TDO** *Test data output*

## PIN DESCRIPTION

**Table 2-4. ISA / IDE Dynamic Multiplexing**

ISA BUS (ISAOE# = 0)	IDE (ISAOE# = 1)
RMRTCCS#	DD[15]
KBCS#	DD[14]
RTCRW#	DD[13]
RTCDS#	DD[12]
SA[19:8]	DD[11:0]
LA[23]	SCS3#
LA[22]	SCS1#
SA[21]	PCS3#
SA[20]	PCS1#
LA[19:17]	DA[2:0]
IOCHRDY	DIORDY

**Table 2-5. ISA / Local Bus Pin Sharing**

ISA / IPC	LOCAL BUS
SD[15:0]	PD[15:0]
DREQ_MUX[1:0]	PA[21:20]
SMEMR#	PA[19]
MEMW#	PA[18]
BHE#	PA[17]
AEN	PA[16]
ALE	PA[15]
MEMR#	PA[14]
IOR#	PA[13]
IOW#	PA[12]
REF#	PA[11]
IOCHCK#	PA[10]
GPIOCS#	PA[9]
ZWS#	PA[8]
SA[7:4]	PA[7:4]
TC, DACK_ENC[2:0]	PA[3:0]
SA[3]	PRDY
ISAOE#, SA[2:0]	IOCS#[3:0]
DEV_CLK, RTCAS	FCS#[1:0]
IOCS16#, MASTER#	PRD#[1:0]
SMEMW#, MCS16#	PWR#[1:0]

**Table 2-6. Signal value on Reset**

Signal Name	SYSRSTI# active	SYSRSTI# inactive SYSRSTO# active	release of SYSRSTO#
<b>BASIC CLOCKS AND RESETS</b>			
XTALO	14MHz		
ISA_CLK	Low	7MHz	
ISA_CLK2X	14MHz		
OSC14M	14MHz		
DEV_CLK	24MHz		
HCLK	Oscillating at the speed defined by the strap options.		
PCI_CLKO	HCLK divided by 2 or 3, depending on the strap options.		
DCLK	17MHz		
<b>MEMORY CONTROLLER</b>			
MCLKO	66MHz if asynchronous mode, HCLK speed if synchronized mode.		
CS#[3:1]	High		
CS#[0]	High		
MA[10:0], BA[0]	0x00		
RAS#[1:0], CAS#[1:0]	High		
MWE#, DQM[7:0]	High		
MD[63:0]	Input		
<b>PCI INTERFACE</b>			
AD[31:0]	0x0000		
CBE[3:0], PAR	Low		
FRAME#, TRDY#, IRDY#	Input		
STOP#, DEVSEL#	Input		
PERR#, SERR#	Input		
	First prefetch cycles when not in Local Bus mode.		
	SDRAM init sequence: Write Cycles		

Table 2-6. Signal value on Reset

Signal Name	SYSRSTI# active	SYSRSTI# inactive SYSRSTO# active	release of SYSRSTO#
PCI_GNT#[2:0]	High		
<b>ISA BUS INTERFACE</b>			
ISAOE#	High		Low
RMRTCCS#	Hi-Z		
LA[23:17]	Unknown	0x00	First prefetch cycles when in ISA or PCMCIA mode. Address start is 0xFFFFF0
SA[19:0]	0xFFFFX	0xFFFF03	
SD[15:0]	Unknown	0xFF	
BHE#, MEMR#	Unknown	High	
MEMW#, SMEMR#, SMEMW#, IOR#, IOW#	Unknown	High	
REF#	Unknown	High	
ALE, AEN	Low		
DACK_ENC[2:0]	Input		0x04
TC	Input		Low
GPIOCS#	Hi-Z		High
RTCDS#, RTCRW#, KBCS#	Hi-Z		
RTCAS	Unknown	Low	
<b>LOCAL BUS INTERFACE</b>			
PA[24:0]	Unknown		First prefetch cycles
PD[15:0]	Unknown	0xFF	
PRD#	Unknown	High	
PBE#[1:0], FCS0#, FCS_0H#	High		
FCS_0L#, FCS1#, FCS_1H#, FCS_1L#	High		
PWR#, IOCS#[7:0]	High		
<b>IDE CONTROLLER</b>			
DD[15:0]	0xFF		
DA[2:0]	Unknown	Low	
PCS1, PCS3, SCS1, SCS3	Unknown	Low	
PDACK#, SDACK#	High		
PDIOR#, PDIOW#, SDIOR#, SDIOW#	High		
<b>VGA CONTROLLER</b>			
RED, GREEN, BLUE	Black		
VSYNC, HSYNC	Low		
COL_SEL	Unknown		
<b>TV OUTPUT</b>			
RED_TV, GREEN_TV, BLUE_TV	Black		
CVBS	Black		
VCS	Low		
ODD_EVEN	Low		
<b>I2C INTERFACE</b>			
SCL / DDC[1]	Input		
SDA / DDC[0]	Input		
<b>JTAG</b>			
TDO	High		
<b>MISCELLANEOUS</b>			
SPKRD	Low		

## PIN DESCRIPTION

Table 2-7. Pinout.

Pin #	Pin name
AF3	SYSRSETI#
AE4	SYSRSETO#
A3	XTALI
C4	XTALO
G23	HCLK
H24	DEV_CLK
AD11	DCLK
AF15	MCLKI
AB23	MCLKO
AE16	MA[0]
AD15	MA[1]
AF16	MA[2]
AE17	MA[3]
AD16	MA[4]
AF17	MA[5]
AE18	MA[6]
AD17	MA[7]
AF18	MA[8] <sup>3</sup>
AE19	MA[9] <sup>3</sup>
AE20	MA[10]
AC19	MA[11]/BA[0]
AF22	CS#[0]
AD21	CS#[1]
AE24	CS#[2]/MA[11]
AD23	CS#[3]/MA[12]/BA[1]
AF23	RAS#[0]
AD22	RAS#[1]
AE21	CAS#[0]
AC20	CAS#[1]
AF20	DQM#[0]
AD19	DQM#[1]
AF21	DQM#[2]
AD20	DQM#[3]
AE22	DQM#[4]
AE23	DQM#[5]
AF19	DQM#[6]
AD18	DQM#[7]
AC22	MWE#
R1	MD[0] <sup>3</sup>
T2	MD[1] <sup>3</sup>
R3	MD[2]
T1	MD[3]
R4	MD[4]
U2	MD[5]
T3	MD[6]
U1	MD[7]
U4	MD[8]
V2	MD[9]

Pin #	Pin name
U3	MD[10]
V1	MD[11]
W2	MD[12]
V3	MD[13]
Y2	MD[14]
W4	MD[15]
Y1	MD[16]
W3	MD[17]
AA2	MD[18]
Y4	MD[19]
AA1	MD[20]
Y3	MD[21]
AB2	MD[22]
AB1	MD[23]
AA3	MD[24]
AB4	MD[25]
AC1	MD[26]
AB3	MD[27]
AD2	MD[28]
AC3	MD[29]
AD1	MD[30]
AF2	MD[31]
AF24	MD[32]
AE26	MD[33]
AD25	MD[34]
AD26	MD[35]
AC25	MD[36]
AC24	MD[37]
AC26	MD[38]
AB25	MD[39]
AB24	MD[40]
AB26	MD[41]
AA25	MD[42]
Y23	MD[43]
AA24	MD[44]
AA26	MD[45]
Y25	MD[46]
Y26	MD[47]
Y24	MD[48]
W25	MD[49] <sup>3</sup>
V23	MD[50] <sup>3</sup>
W26	MD[51] <sup>3</sup>
W24	MD[52] <sup>3</sup>
V25	MD[53] <sup>3</sup>
V26	MD[54] <sup>3</sup>
U25	MD[55] <sup>3</sup>
V24	MD[56] <sup>3</sup>
U26	MD[57] <sup>3</sup>
U23	MD[58] <sup>3</sup>

Pin #	Pin name
T25	MD[59] <sup>3</sup>
U24	MD[60] <sup>3</sup>
T26	MD[61] <sup>3</sup>
R25	MD[62] <sup>3</sup>
R26	MD[63] <sup>3</sup>
F24	PCI_CLKI
D25	PCI_CLKO
B20	AD[0]
C20	AD[1]
B19	AD[2]
A19	AD[3]
C19	AD[4]
B18	AD[5]
A18	AD[6]
B17	AD[7]
C18	AD[8]
A17	AD[9]
D17	AD[10]
B16	AD[11]
C17	AD[12]
B15	AD[13]
A15	AD[14]
C16	AD[15]
B14	AD[16]
D15	AD[17]
A14	AD[18]
B13	AD[19]
D13	AD[20]
A13	AD[21]
C14	AD[22]
B12	AD[23]
C13	AD[24]
A12	AD[25]
C12	AD[26]
A11	AD[27]
D12	AD[28]
B10	AD[29]
C11	AD[30]
A10	AD[31]
D10	CBE[0]
C10	CBE[1]
A9	CBE[2]
B8	CBE[3]
A8	FRAME#
B7	TRDY#
D8	IRDY#
A7	STOP#
C8	DEVSEL#
B6	PAR



## PIN DESCRIPTION

Pin #	Pin name
D7	SERR#
A6	LOCK#
D20	PCI_REQ#[0]
C21	PCI_REQ#[1]
A21	PCI_REQ#[2]
C22	PCI_GNT#[0]
A22	PCI_GNT#[1]
B21	PCI_GNT#[2]
A5	PCI_INT#[0]
C6	PCI_INT#[1]
B4	PCI_INT#[2]
D5	PCI_INT#[3]
F2	LA[17]/DA[0]
G4	LA[18]/DA[1]
F3	LA[19]/DA[2]
F1	LA[20]/PCS1#
G2	LA[21]/PCS3#
G1	LA[22]/SCS1#
H2	LA[23]/SCS3#
J4	SA[0]
H1	SA[1]
H3	SA[2]
J2	SA[3]
J1	SA[4]
K2	SA[5]
J3	SA[6]
K1	SA[7]
K4	SA[8]
L2	SA[9]
K3	SA[10]
L1	SA[11]
M2	SA[12]
M1	SA[13]
L3	SA[14]
N2	SA[15]
M4	SA[16]
M3	SA[17]
P2	SA[18]
P4	SA[19]
K25	SD[0]
L24	SD[1]
K26	SD[2]
K23	SD[3]
J25	SD[4]
K24	SD[5]
J26	SD[6]
H25	SD[7]
H26	SD[8]

Pin #	Pin name
J24	SD[9]
G25	SD[10]
H23	SD[11]
D24	SD[12]
C26	SD[13]
A25	SD[14]
B24	SD[15]
AD4	ISA_CLK
AF4	ISA_CLK2X
C9	OSC14M
P25	ALE
AE8	ZWS#
R23	BHE#
P26	MEMR#
R24	MEMW#
N25	SMEMR#
N23	SMEMW#
N26	IOR#
P24	IOW#
N24	MCS16#
M26	IOCS16#
M25	MASTER#
L25	REF#
M24	AEN
L26	IOCHCK#
T24	IOCHRDY
M23	ISAOE#
A4	RTCAS
P3	RTCDS#
R2	RTCRW#
P1	RMRTCCS#
AE3	GPIOCS#
G26	PA[22] <sup>3</sup>
A20	PA[23] <sup>3</sup>
B1	PIRQ
C2	SIRQ
C1	PDRQ
D2	SDRQ
D3	PDACK#
D1	SDACK#
E2	PDIOR#
E4	PDIOW#
E3	SDIOR#
E1	SDIOW#
E23	IRQ_MUX[0]
D26	IRQ_MUX[1]

Pin #	Pin name
E24	IRQ_MUX[2]
C25	IRQ_MUX[3]
A24	DREQ_MUX[0]
B23	DREQ_MUX[1]
C23	DACK_ENC[0]
A23	DACK_ENC[1]
B22	DACK_ENC[2]
D22	TC
N3	KBCS#
AF9	RED
AE9	GREEN
AD8	BLUE
AC5	VSYNC
AE5	HSYNC
AC10	VREF_DAC
AE10	RSET
AD7	COMP
AE15	VCLK
AD5	VIN[0]
AF7	VIN[1]
AF5	VIN[2]
AE6	VIN[3]
AC7	VIN[4]
AD6	VIN[5]
AF6	VIN[6]
AE7	VIN[7]
AD10	RED_TV
AF11	GREEN_TV
AE12	BLUE_TV
AE13	VCS
AC12	ODD_EVEN
AF14	CVBS
AE11	IREF1_TV
AF12	VREF1_TV
AE14	IREF2_TV
AC14	VREF2_TV
C5	SPKRD
B5	SCL
C7	SDA
B3	SCAN_ENABLE
C15	COL_SEL
G3	TCLK
N1	TMS
W1	TDI

## PIN DESCRIPTION

Pin #	Pin name
AC2	TDO
AD12	VDDA_TV
AF8	VDD_DAC1
G24	VDD_CPUCLK_PLL <sup>1</sup>
AD13	VDD_DCLK_PLL <sup>1</sup>
F25	VDD_DEVCLK_PLL <sup>1</sup>
AC17	VDD_MCLKI_PLL <sup>1</sup>
AC15	VDD_MCLKO_PLL <sup>1</sup>
F26	VDD_HCLK_PLL <sup>1</sup>
E25	VDD_SKEW_PLL <sup>1</sup>
D11	VDD_CORE <sup>1</sup>
L23	VDD_CORE <sup>1</sup>
T4	VDD_CORE <sup>1</sup>
AC6	VDD_CORE <sup>1</sup>
D6	VDD
D16	VDD
D21	VDD
F4	VDD
F23	VDD
AC11	VDD
AC16	VDD
AC21	VDD
AA4	VDD
AA23	VDD
T23	VDD
L4	VDD
AF13	VSSA_TV
AC9	VSS_DAC1
A1:2	VSS
A26	VSS
B2	VSS
B25:26	VSS
C3	VSS
C24	VSS
D4	VSS
D9	VSS
D14	VSS
D19	VSS
D23	VSS
H4	VSS
J23	VSS
L11:16	VSS
M11:16	VSS
N4	VSS
N11:16	VSS

Pin #	Pin name
P11:16	VSS
P23	VSS
R11:16	VSS
T11:16	VSS
V4	VSS
W23	VSS
AC4	VSS
AC8	VSS
AC13	VSS
AC18	VSS
AC23	VSS
AD3	VSS
AD14	COMPENSATION_VS
AD24	VSS
AE1:2	VSS
AE25	VSS
AF1	VSS
AF25	VSS
AF26	VSS
A16	<i>Unconnected</i>
B9	<i>Unconnected</i>
B11	<i>Unconnected</i>
D18	<i>Unconnected</i>
E26	<i>Unconnected</i>
AD9	<i>Unconnected</i>
AF10	<i>Unconnected</i>

Note<sup>1</sup>; These pins must be connected to the 2.5 V power supply. They **must not** be connected to the 3.3 V supply.

### 3. STRAP OPTIONS

This chapter defines the STPC Consumer-II Strap Options and their location. Some strap options are left programmable for future versions of silicon. .

**Table 3-1. Strap Options**

Signal	Designation	Actual Settings <sup>1</sup>	Set to '0'	Set to '1'
MD1	Reserved	Pull up	-	-
MD2	HCLK PLL Speed	User defined	see <a href="#">Section 3.1.4</a> , bit 6	
MD3		User defined	see <a href="#">Section 3.1.4</a> , bit 7	
MD4	PCICLK0 Division	User defined	see <a href="#">Section 3.1.3</a> , bit 1	
MD5	MCLK/HCLK Sync (see <a href="#">Section 3.1.1</a> .)	User defined	Async	Sync
MD6	PCICLK0 frequency	User defined	see <a href="#">Section 3.1.1</a> , bit 6	
MD7	Reserved	Pull down	-	-
MD10	Reserved	Pull down	-	-
MD11	Reserved	Pull down	-	-
MD14	Reserved	Pull up	-	-
MD16	Reserved	Pull up	-	-
MD17	PCI_CLK0 Divisor	User defined	see <a href="#">Section 3.1.3</a> , bit 1	
MD18	Reserved	Pull-up	-	-
MD19	Reserved	Pull-up	-	-
MD20	DCLK Pad Direction	User defined	Input	Output
MD21	Reserved	Pull up	-	-
MD22	Reserved	Pull up	-	-
MD23	Reserved	Pull up	-	-
MD24	HCLK PLL Speed	User defined	see <a href="#">Section 3.1.4</a> , bit 3	
MD25		User defined	see <a href="#">Section 3.1.4</a> , bit 4	
MD26		User defined	see <a href="#">Section 3.1.4</a> , bit 5	
MD27	Reserved	Pull down	-	-
MD28	Reserved	Pull down	-	-
MD29	Reserved	Pull down	-	-
MD30	Reserved	Pull down	-	-
MD40	CPU Mode (see <a href="#">Section 3.1.3</a> .)	User defined	X1	X2
MD41	Reserved	Pull down	-	-
MD42	Reserved	Pull up	-	-
MD43	Reserved	Pull down	-	-
MD44	Bus select (see <a href="#">Section 3.1.1</a> .)	User defined	ISA	Local Bus
MD45	Reserved	Pull down	-	-
MD46	Reserved	Pull up	-	-
MD47	Reserved	Pull down	-	-
MD48	Reserved	Pull up	-	-
TC	Reserved	Pull up	-	-
DACK_ENC[2:0]	Reserved	Pull up	-	-

Note<sup>1</sup>: Where a strap is represented by a 'Pull up' or 'Pull down', these have to be adhered to. If it is represented as a '-' it can be left unconnected. Where 'User defined', the strap is set by the user.

## STRAP OPTIONS

### 3.1. POWER-ON STRAP REGISTER DESCRIPTIONS

#### 3.1.1. ADPC STRAP REGISTER 0 CONFIGURATION

Strap0

Access = 0022h/0023h

Regoffset = 04Ah

7	6	5	4	3	2	1	0
MD[7]	MD[6]	See Table below	MD[4]	Rsv	See Table below	See Table below	See Table below
This register defaults to the values sampled on MD[7:4] pins after reset							

Bit Number Sampled	Mnemonic	Description									
Bits 7-6	MD[7:6]	<p>PCICLK PLL set-up: The value sampled on MD[7:6] controls the PCICLK PLL programming according to PCICLK frequency.</p> <p>MD7 MD6</p> <table> <tr> <td>0</td> <td>0</td> <td>PCICLK frequency between 16 &amp; 32 MHz</td> </tr> <tr> <td>0</td> <td>1</td> <td>PCICLK frequency between 32 &amp; 64 MHz</td> </tr> <tr> <td>1</td> <td>X</td> <td>Reserved</td> </tr> </table>	0	0	PCICLK frequency between 16 & 32 MHz	0	1	PCICLK frequency between 32 & 64 MHz	1	X	Reserved
0	0	PCICLK frequency between 16 & 32 MHz									
0	1	PCICLK frequency between 32 & 64 MHz									
1	X	Reserved									
Bit 5	MD[5]	For the parts referenced <b>STPCC4</b> , see section <a href="#">Section 3.1.1</a> .bit 2.									
	MD[44]	<p>For the parts referenced <b>STPCC5</b>, this strap selects between Local Bus or ISA mode.</p> <p>0 = ISA Mode 1 = Local Bus Mode</p> <p>This strap is not readable in a register for the <b>STPCC4</b>.</p>									
Bit 4	MD[4]	<p>PCICLK division: This bit reflects the value sampled on [MD4] and is used together with MD[17] to select the PCICLK frequency.</p> <p>MD4 MD17</p> <table> <tr> <td>0</td> <td>X</td> <td>PCI Clock output = HCLK / 4</td> </tr> <tr> <td>1</td> <td>0</td> <td>PCI Clock output = HCLK / 3</td> </tr> <tr> <td>1</td> <td>1</td> <td>PCI Clock output = HCLK / 2</td> </tr> </table>	0	X	PCI Clock output = HCLK / 4	1	0	PCI Clock output = HCLK / 3	1	1	PCI Clock output = HCLK / 2
0	X	PCI Clock output = HCLK / 4									
1	0	PCI Clock output = HCLK / 3									
1	1	PCI Clock output = HCLK / 2									
Bits 2	Rsv	For the parts referenced <b>STPCC4</b> These bits are reserved									
	MD[5]	<p>Host Memory synchronization. This bit reflects the value sampled on MD[5] and controls the MCLK/HCLK synchronization.</p> <p>0: MCLK and HCLK not synchronized 1: MCLK and HCLK synchronized for improved system performance.</p>									
Bit 1-0	Rsv	For the parts referenced <b>STPCC4</b> These bits are reserved									
	MD[4,17]	<p>For the parts referenced <b>STPCC5</b>.</p> <p>These bits reflect the values sampled on MD[17] pin and controls the PCI clock output in conjunction with MD[4], as follows:</p> <p>MD4 MD17</p> <table> <tr> <td>0</td> <td>X</td> <td>PCI Clock output = HCLK / 4</td> </tr> <tr> <td>1</td> <td>0</td> <td>PCI Clock output = HCLK / 3</td> </tr> <tr> <td>1</td> <td>1</td> <td>PCI Clock output = HCLK / 2</td> </tr> </table>	0	X	PCI Clock output = HCLK / 4	1	0	PCI Clock output = HCLK / 3	1	1	PCI Clock output = HCLK / 2
0	X	PCI Clock output = HCLK / 4									
1	0	PCI Clock output = HCLK / 3									
1	1	PCI Clock output = HCLK / 2									

## 3.1.2. ADPC STRAP REGISTER 1 CONFIGURATION

Strap1

Access = 0022h/0023h

Regoffset = 04Bh

7	6	5	4	3	2	1	0
Rsv		Rsv		Rsv	Rsv	Rsv	
This register defaults to the values sampled on MD[13:10] pins after reset							

Bit Number Sampled	Mnemonic	Description
Bits 7-6	Rsv	Reserved
Bits 5-2	MD[13:10]	Reserved
Bits 1-0	Rsv	Reserved

## STRAP OPTIONS

### 3.1.3. ADPC STRAP REGISTER 2 CONFIGURATION

Strap2		Access = 0022h/0023h				Regoffset = 04Ch	
7	6	5	4	3	2	1	0
See Table below	Rsv		MD[20]	MD[19]	MD[18]	See Table below	Rsv
This register defaults to the values sampled on MD pins after reset							

Bit Number Sampled	Mnemonic	Description
Bits 7	Rsv	For the parts referenced <b>STPCC4</b> , Reserved
	MD[40]	For the parts referenced <b>STPCC5</b> , this bit reflects the value sampled on MD[40] is used is used to set the clock multiplication factor of the 486 core, as follows: MD[40] 0 DX (X1) 1 DX2 (X2) This strap is not readable in a register for the <b>STPCC4</b> .
Bit 6-5	Rsv	Reserved
Bits 4	MD[20]	This bit reflects the value sampled on MD[20] pin and controls the Dot clock (DCLK) source as follows: 0: External. DCLK pin is an input. 1: Internal. DCLK pin is an output and is connected to the internal frequency synthesizer output. Note this bit is writeable as well as readable.
Bit 3	Rsv	Reserved
Bit 2	Rsv	Reserved
Bit 1	MD[17]	For the parts referenced <b>STPCC4</b> , see section <a href="#">Section 3.1.1.bits 1:0</a> .
	Rsv	For the parts referenced <b>STPCC5</b> .This bit is reserved and not connected
Bit 0	Rsv	Reserved

**3.1.4. CPC STRAP REGISTER 0 CONFIGURATION**

*HCLK\_Strap* Access = 0022h/0023h Regoffset = 05Fh

7	6	5	4	3	2	1	0
MD[3]	MD[2]	MD[26]	MD[25]	MD[24]	Rsv		
This register defaults to the values sampled on MD pins after reset							

Bit Number Sampled	Mnemonic	Description
Bits 7-3	MD[3:2] & MD[26:24]	These pins reflect the values sampled on MD[3:2] and MD[26:24] pins respectively and control the Host clock frequency synthesizer as shown in <a href="#">Table 3-1</a>
Bits 2-0	Rsv	Reserved

**Table 3-1. HCLK Frequency Programming**

MD[3]	MD[2]	MD[26]	MD[25]	MD[24]	HCLK Speed
0	0	0	0	0	25 MHz
0	0	0	0	1	50 MHz
0	0	0	1	0	60 MHz
0	0	0	1	1	66 MHz
0	1	0	0	1	75 MHz
1	0	0	1	1	90 MHz
1	1	0	0	1	100 MHz

## STRAP OPTIONS

---



## 4. ELECTRICAL SPECIFICATIONS

### 4.1. INTRODUCTION

The electrical specifications in this chapter are valid for the STPC Consumer-II.

### 4.2. ELECTRICAL CONNECTIONS

#### 4.2.1. POWER/GROUND CONNECTIONS/ DECOUPLING

Due to the high frequency of operation of the STPC Consumer-II, it is necessary to install and test this device using standard high frequency techniques. The high clock frequencies used in the STPC Consumer-II and its output buffer circuits can cause transient power surges when several output buffers switch output levels simultaneously. These effects can be minimized by filtering the DC power leads with low-inductance decoupling capacitors, using low impedance wiring, and by utilizing all of the VSS and VDD pins.

#### 4.2.2. UNUSED INPUT PINS

No unused input pin should be left unconnected unless they have an integrated pull-up or pull-down. Connect active-low inputs to VDD through a 20 k $\Omega$  ( $\pm 10\%$ ) pull-up resistor and active-high inputs to VSS. For bi-directional active-high inputs, connect to VSS through a 20 k $\Omega$  ( $\pm 10\%$ ) pull-up resistor to prevent spurious operation.

#### 4.2.3. RESERVED DESIGNATED PINS

Pins designated as reserved should be left disconnected. Connecting a reserved pin to a pull-up resistor, pull-down resistor, or an active signal could cause unexpected results and possible circuit malfunctions.

### 4.3. ABSOLUTE MAXIMUM RATINGS

The following table lists the absolute maximum ratings for the STPC Consumer-II device. Stresses beyond those listed under [Table 4-1](#) limits may cause permanent damage to the device. These are stress ratings only and do not imply that operation under any conditions other than those specified in section "Operating Conditions".

Exposure to conditions beyond those outlined in [Table 4-1](#) may (1) reduce device reliability and (2) result in premature failure even when there is no immediately apparent sign of failure. Prolonged exposure to conditions at or near the absolute maximum ratings ([Table 4-1](#)) may also result in reduced useful life and reliability.

#### 4.3.1. 5V TOLERANCE

The STPC is capable of running with I/O systems that operate at 5 V such as PCI and ISA devices. Certain pins of the STPC tolerate inputs up to 5.5 V. Above this limit the component is likely to sustain permanent damage. .

**Table 4-1. Absolute Maximum Ratings**

Symbol	Parameter	Minimum	Maximum	Units
V <sub>DDx</sub>	DC Supply Voltage	-0.3	4.0	V
V <sub>CORE</sub>	DC Supply Voltage for Core	-0.3	2.7	V
V <sub>I</sub> , V <sub>O</sub>	Digital Input and Output Voltage	-0.3	VDD + 0.3	V
V <sub>5T</sub>	5Volt Tolerance	-0.3	5.5	V
V <sub>ESD</sub>	ESD Capacity (Human body mode)	-	2000	°C
T <sub>STG</sub>	Storage Temperature	-40	+150	
T <sub>OPER</sub>	Operating Temperature (Note 1)	0	+85	°C
		-40	+115	°C
P <sub>TOT</sub>	Maximum Power Dissipation (package)	-	4.8	W

Note 1: The figures specified apply to the Tcase of a STPC device that is soldered to a board, as detailed in the Design Guidelines Section, for Commercial and Industrial temperature ranges.

## ELECTRICAL SPECIFICATIONS

### 4.4. DC CHARACTERISTICS

Table 4-2. DC Characteristics

Symbol	Parameter	Test conditions	Min	Typ	Max	Unit
V <sub>DD</sub>	Operating Voltage		3.0	3.3	3.6	V
V <sub>CORE</sub>	Operating Voltage		2.45	2.5	2.7	V
P <sub>DD</sub>	Supply Power	3.0V < V <sub>DD</sub> < 3.6V			0.18	W
P <sub>CORE</sub>	Supply Power	2.45V < V <sub>CORE</sub> < 2.7V			2.90	W
V <sub>IL</sub>	Input Low Voltage	Except XTALI	-0.3		0.8	V
		XTALI	-0.3		0.8	V
V <sub>IH</sub>	Input High Voltage	Except XTALI	2.1		V <sub>DD</sub> +0.3	V
		XTALI	2.35		V <sub>DD</sub> +0.3	V
I <sub>LK</sub>	Input Leakage Current	Input, I/O	-5		5	μA
	Integrated Pull up/down			50		KΩ

Table 4-3. PAD buffers DC Characteristics

Buffer Type	I/O count	V <sub>IH</sub> min (V)	V <sub>IL</sub> max (V)	V <sub>OH</sub> min (V)	V <sub>OL</sub> max (V)	I <sub>OL</sub> min (mA)	I <sub>OH</sub> max (mA)	C <sub>load</sub> max (pF)	Derating (ps/pF) <sup>†</sup>	C <sub>IN</sub> (pF)
ANA	8	2.35	0.9	-	-	-	-	-	-	-
OSCI13B	1	2.1	0.8	2.4	0.4	2	- 2	50	-	-
BT8TRP_TC	5	-	-	2.4	0.4	8	- 8	200	21	6.89
BD4STRP_FT	50	2	0.8	2.4	0.4	4	- 4	100	42	5.97
BD4STRUP_FT	10	2	0.8	2.4	0.4	4	- 4	100	41	5.97
BD8STRP_FT	26	2	0.8	2.4	0.4	8	- 8	200	23	5.96
BD8STRUP_FT	40	2	0.8	2.4	0.4	8	- 8	200	23	5.96
BD8STRP_TC	10	2	0.8	2.4	0.4	8	- 8	200	21	7.02
BD8TRP_TC	60	2	0.8	2.4	0.4	8	- 8	200	21	7.03
BD8PCIARP_FT	49	0.5*V <sub>DD</sub>	0.3*V <sub>DD</sub>	0.9*V <sub>DD</sub>	0.1*V <sub>DD</sub>	1.5	- 0.5	200	15	6.97
BD16STARUQP_TC	19	2	0.8	2.4	0.4	16	-16	400	12	9.34
SCHMITT_FT	1	2	0.8	-	-	-	-	-	-	5.97
TLCHT_FT	5	2	0.8	-	-	-	-	-	-	5.97
TLCHT_TC	1	2	0.8	-	-	-	-	-	-	5.97
TLCHTD_TC	1	2	0.8	-	-	-	-	-	-	5.97

Note 1: time to output variation depending on the capacitive load.

Table 4-4. RAMDAC DC Specification

Symbol	Parameter	Min	Max
Vref_dac	Voltage Reference	1.00 V	1.24 V
INL	Integrated Non Linear Error	-	3 LSB
DNL	Differentiated Non Linear Error	-	1 LSB
BLC	Black Level Current	1.0 mA	2.0 mA
WLC	White Level Current	15.00 mA	18.50 mA

## ELECTRICAL SPECIFICATIONS

**Table 4-5. VGA RAMDAC Power Consumption**

DCLK (MHz)	DAC mode (State)	P <sub>Max</sub> (mW)	
		VDD_DAC = 2.45V	VDD_DAC = 2.7V
-	Shutdown	0	0
6.25 - 135	Active	150	180

**Table 4-6. 2.5V Power Consumptions (V<sub>CORE</sub> + VDD\_x\_PLL + VDD\_DAC)**

HCLK (MHz)	CPUCLK (MHz)	MCLK (MHz)	Mode	DCLK (MHz)	PMU (State)	P <sub>Max</sub> (W)	
						V <sub>2.5v</sub> =2.45V	V <sub>2.5v</sub> =2.7V
66	66 (x1)	66	SYNC	Stopped	Stop Clock	0.6	0.9
					Full Speed	1.4	1.8
				135	Stop Clock	0.9	1.2
					Full Speed	1.7	2.3
100	100 (x1)	100	SYNC	Stopped	Stop Clock	0.8	1.1
					Full Speed	1.5	2.0
				135	Stop Clock	1.5	1.9
					Full Speed	2.1	2.7
66	133 (x2)	66	SYNC	Stopped	Stop Clock	0.7	0.9
					Full Speed	1.7	2.1
				135	Stop Clock	0.9	1.2
					Full Speed	1.9	2.5
66	133 (x2)	100	ASYNC	Stopped	Stop Clock	0.8	1.1
					Full Speed	1.6	2.1
				135	Stop Clock	1.5	1.9
					Full Speed	2.3	2.9

Note 1: PCI clock at 33MHz

**Table 4-7. 3.3V Power Consumptions (V<sub>DD</sub>)**

HCLK (MHz)	CPUCLK (MHz)	MCLK (MHz)	DCLK (MHz)	PMU (State)	P <sub>Max</sub> (mW)
66	66 (x1)	66	6.26	Full Speed	90
			135		160
100	100 (x1)	100	6.26	Full Speed	115
			135		180
66	133 (x2)	66	6.26	Full Speed	100
			135		165
66	133 (x2)	100	6.26	Full Speed	115
			135		180

**Table 4-8. PLL Power Consumptions**

PLL name	P <sub>Max</sub> (mW)	
	VDD_PLL = 2.45V	VDD_PLL = 2.7V
VDD_DCLK_PLL	5	10
VDD_DEVCLK_PLL	5	10
VDD_HCLKI_PLL	5	10
VDD_HCLKO_PLL	5	10
VDD_MCLKI_PLL	5	10
VDD_MCLKO_PLL	5	10
VDD_PCICLK_PLL	5	10

## ELECTRICAL SPECIFICATIONS

### 4.5. AC CHARACTERISTICS

This section lists the AC characteristics of the STPC interfaces including output delays, input setup requirements, input hold requirements and output float delays. These measurements are based on the measurement points identified in [Figure 4-1](#) and [Figure 4-2](#). The rising clock edge reference level  $V_{REF}$  and other reference levels

are shown in [Table 4-9](#) below. Input or output signals must cross these levels during testing.

[Figure 4-1](#) shows output delay (A and B) and input setup and hold times (C and D). Input setup and hold times (C and D) are specified minimums, defining the smallest acceptable sampling window a synchronous input signal must be stable for correct operation.

**Table 4-9. Drive Level and Measurement Points for Switching Characteristics**

Symbol	Value	Units
$V_{REF}$	1.5	V
$V_{IHD}$	2.5	V
$V_{ILD}$	0.0	V

Note: Refer to [Figure 4-1](#).

**Figure 4-1. Drive Level and Measurement Points for Switching Characteristics**

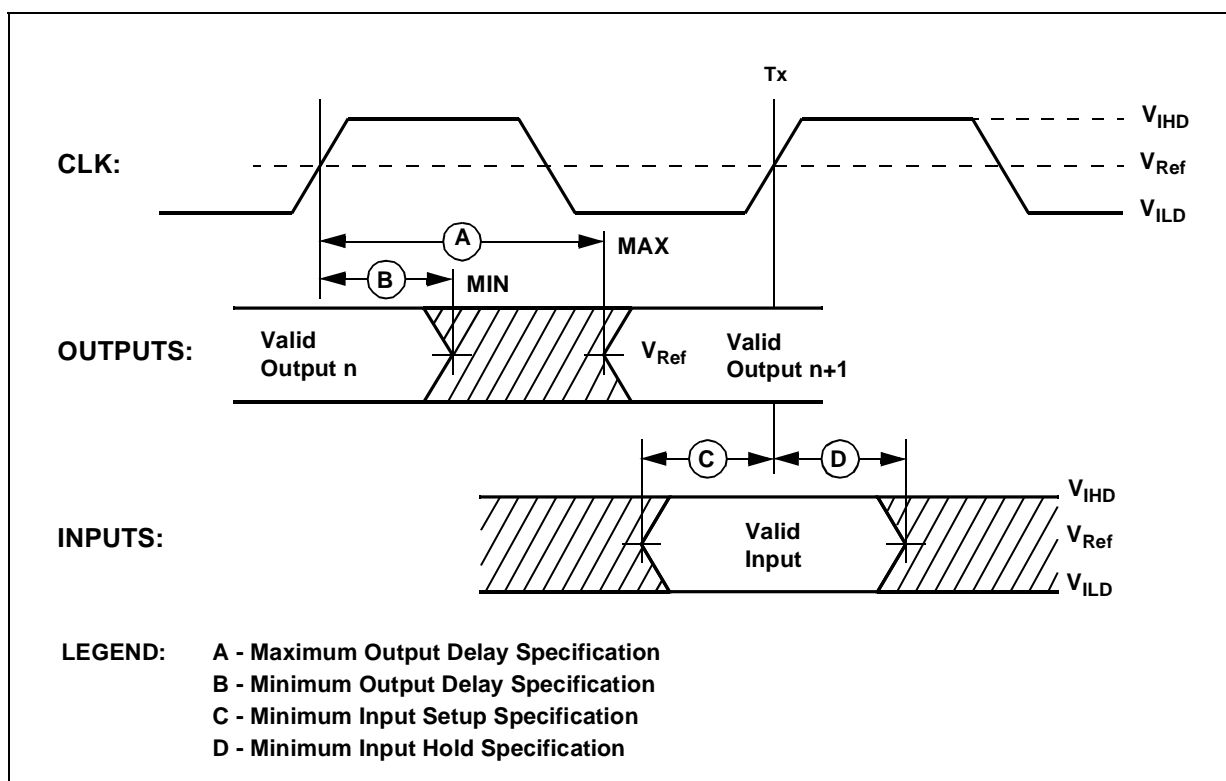
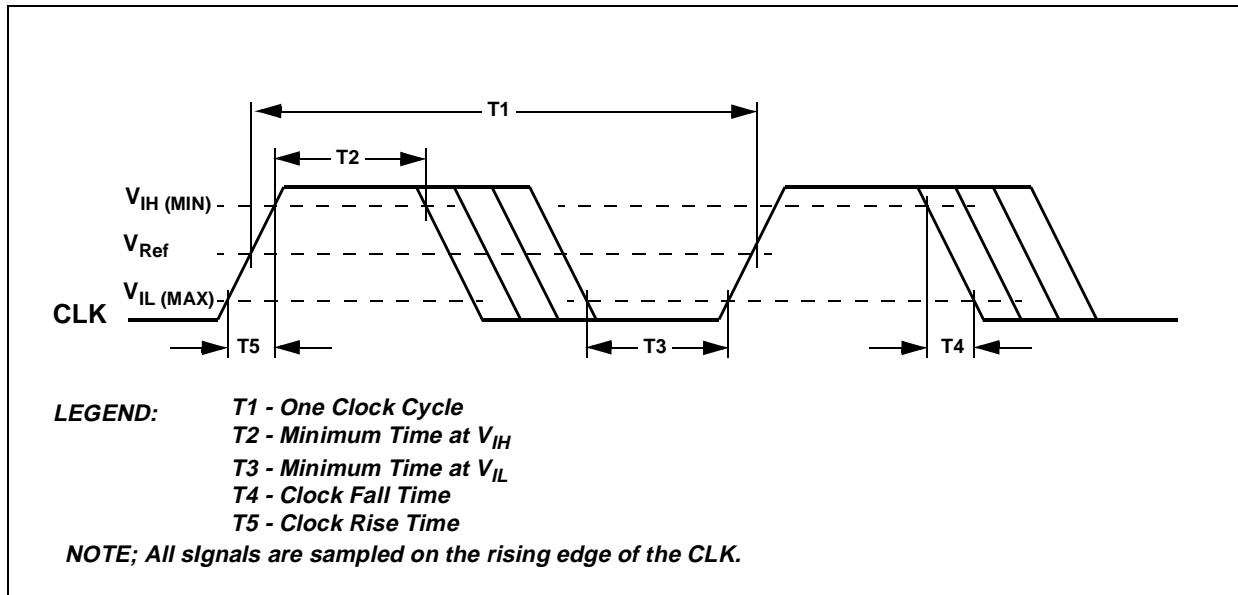


Figure 4-2. CLK Timing Measurement Points



## ELECTRICAL SPECIFICATIONS

### 4.5.1. POWER ON SEQUENCE

Figure 4-3 describes the power-on sequence of the STPC, also called cold reset.

There is no dependency between the different power supplies and there is no constraint on their rising time.

SYSRSTI# as no constraint on its rising edge but must stay active until power supplies are all within specifications, a margin of 10 $\mu$ s is even recommended to let the STPC PLLs and strap options stabilize.

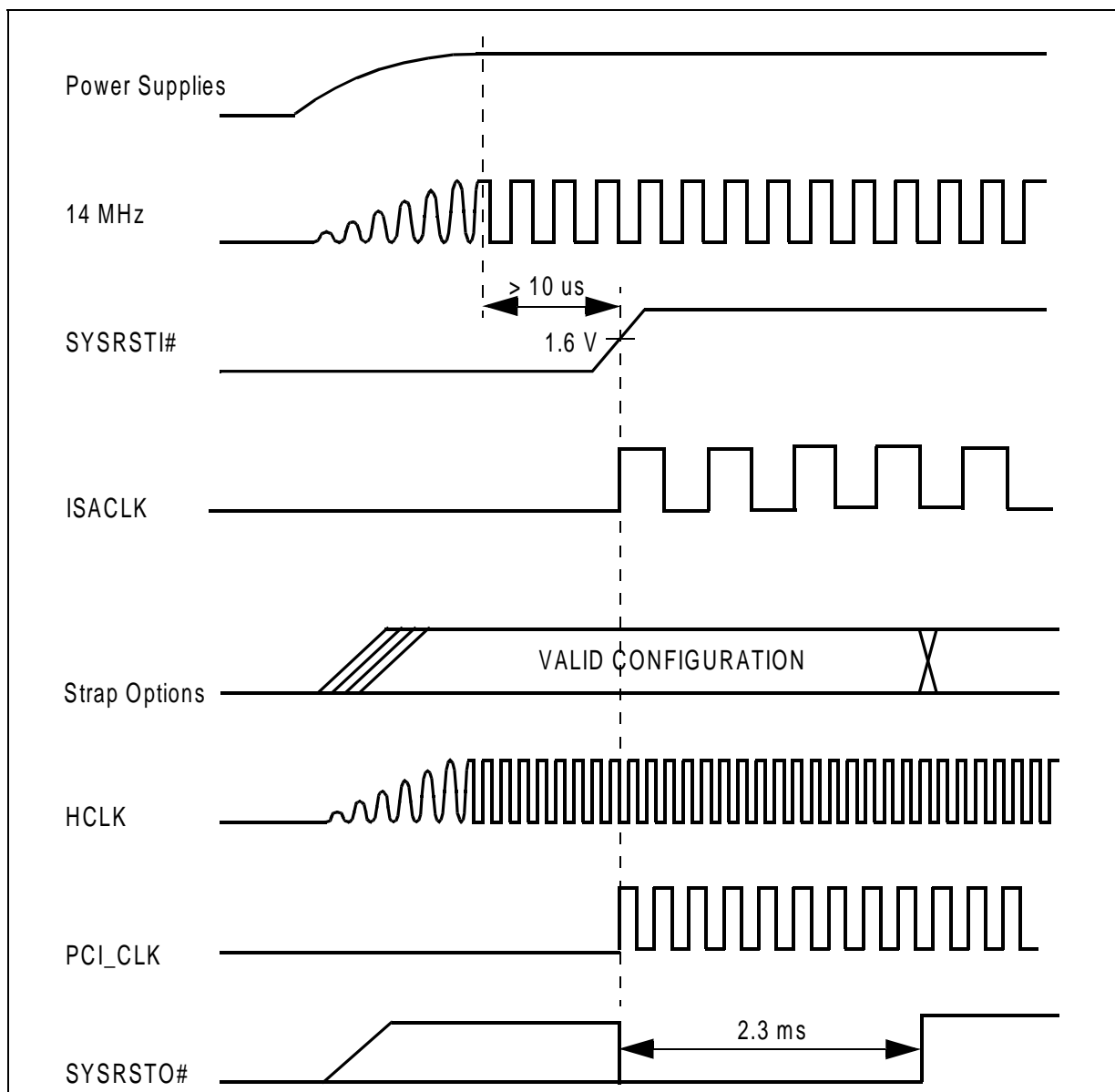
Strap Options are continuously sampled during SYSRSTI# low and must remain stable. Once SYSRSTI# is high, they MUST NOT CHANGE until SYSRSTO# goes high.

Bus activity starts only few clock cycles after the release of SYSRSTO#. The toggling signals depend on the STPC configuration.

In ISA mode, activity is visible on PCI prior to the ISA bus as the controller is part of the south bridge.

In Local Bus mode, the PCI bus is not accessed and the Flash Chip Select is the control signal to monitor.

Figure 4-3. Power-on timing diagram



4.5.2 RESET SEQUENCE

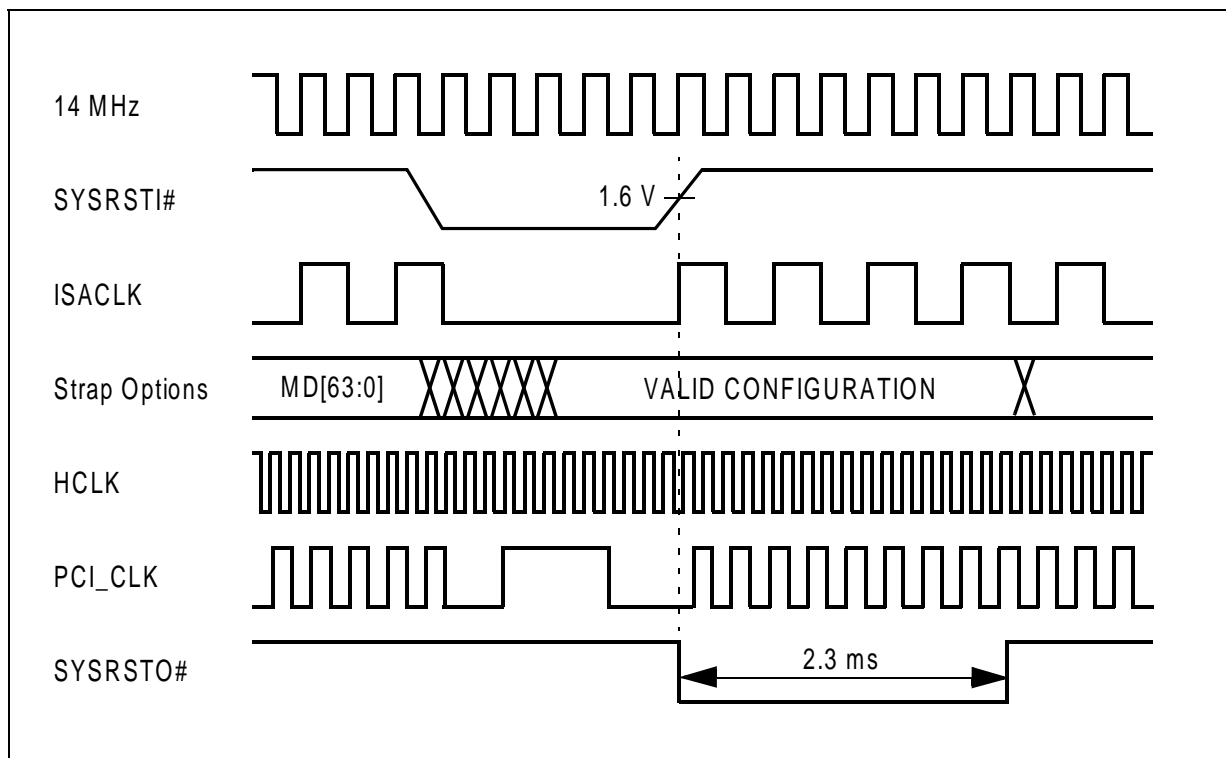
Figure 4-4 describes the reset sequence of the STPC, also called warm reset.

The constraints on the strap options and the bus activities are the same as for the cold reset. The SYSRSTI# pulse duration must be long enough to have all the strap options stabilized and must be adjusted depending on resistor values.

It is mandatory to have a clean reset pulse without glitches as the STPC could then sample invalid strap option setting and enter into an unpredictable mode.

While SYSRSTI# is active, the PCI clock PLL runs in open loop mode at a speed of few 100's KHz.

Figure 4-4. Reset timing diagram



## ELECTRICAL SPECIFICATIONS

### 4.5.3. SDRAM INTERFACE

Figure 4-5, Table 4-10 lists the AC characteristics of the SDRAM interface.

Figure 4-5. SDRAM Timing Diagram

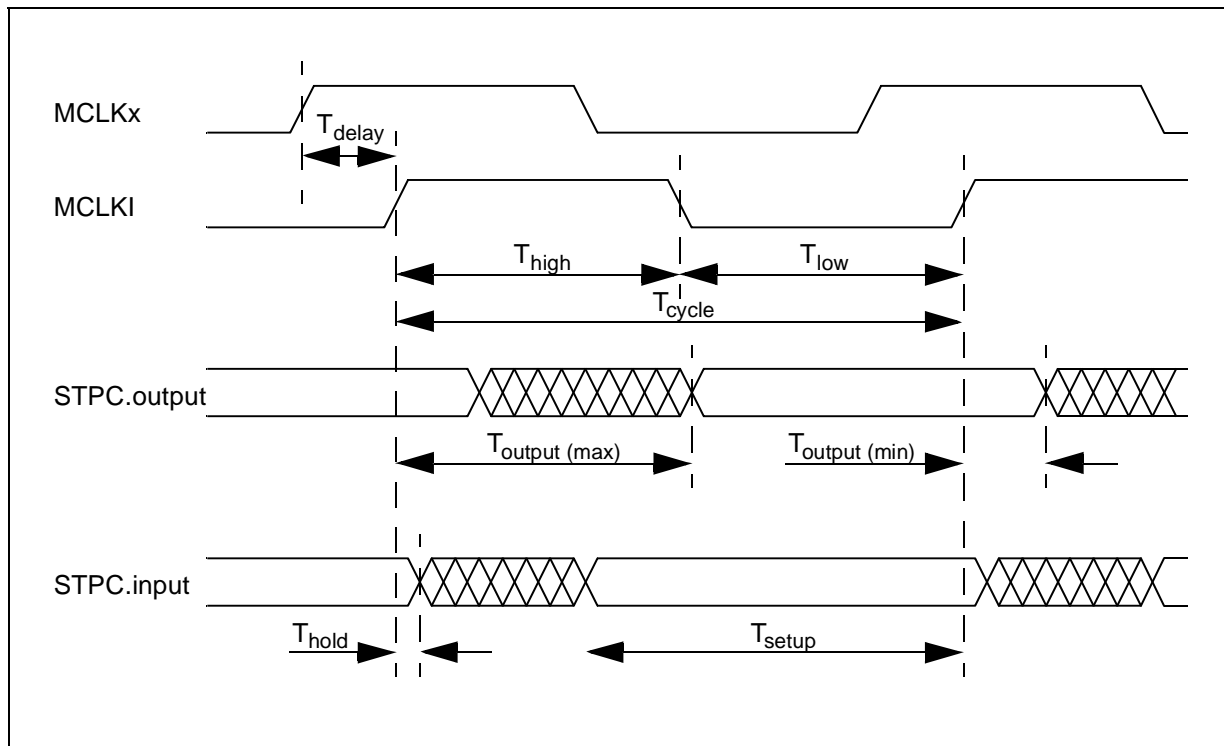


Table 4-10. SDRAM Bus AC Timing

Name	Parameter	Min	Typ	Max	Unit
T <sub>cycle</sub>	MCLKI Cycle Time	10			ns
T <sub>high</sub>	MCLKI High Time	4			ns
T <sub>low</sub>	MCLKI Low Time	4			ns
	MCLKI Rising Time			1	ns
	MCLKI Falling Time			1	ns
T <sub>delay</sub>	MCLKx to MCLKI delay		-0.9		ns
T <sub>output</sub>	MCLKI to Outputs Valid	5.2		7	ns
	MCLKI to DQM[ ] Outputs Valid	6.5		8.8	ns
	MCLKI to MD[ ] Outputs Valid	6.5		8.8	ns
T <sub>setup</sub>	MD[63:0] setup to MCLKI	3.75		4.0	ns
T <sub>hold</sub>	MD[63:0] hold from MCLKI	1.3		2.5	ns

Note: These timing are for a load of 50pF.

For correct operation, the programmable read clock delay (RDCLK) must be activated for the CRTC and the delay set to the minimum. This is done by setting the **Latch\_CRTC\_Data\_In** bit in the SDRAM Controller register 0 and clear the bits[3:0] in register 1.

The PC133 memory is recommended to reach 100MHz operation.



## 4.5.4. PCI INTERFACE

Table 4-11 lists the AC characteristics of the PCI interface.

**Table 4-11. PCI Bus AC Timing**

Name	Parameter	Min	Typ	Max	Unit
	HCLK to PCICLK delay (MD[30:27] = 0000)				ns
	HCLK to PCICLK delay	2.9	4.3	5.8	ns
	PCICLK Cycle Time	30			ns
	PCICLK High Time				ns
	PCICLK Low Time				ns
	PCICLK Cycle Time	30			ns
	PCICLK High Time				ns
	PCICLK Low Time				ns
	PCICLK Rising Time				ns
	PCICLK Falling Time				ns
	PCICLK to any output	5.9	-	15.8	ns
	PCICLK to PCI_GNT#[2:0]	6.8	-	16.8	ns
	Setup to PCICLK	2.2	-	-	ns
	FRAME# Setup to PCICLK	2.9	-	-	ns
	PCI_REQ#[2:0] Setup to PCICLK	7.2	-	-	ns
	Hold from PCICLK	4.8	-	-	ns

## ELECTRICAL SPECIFICATIONS

### 4.5.5 IPC INTERFACE

Table 4-12 lists the AC characteristics of the IPC interface.

Figure 4-6. IPC timing diagram

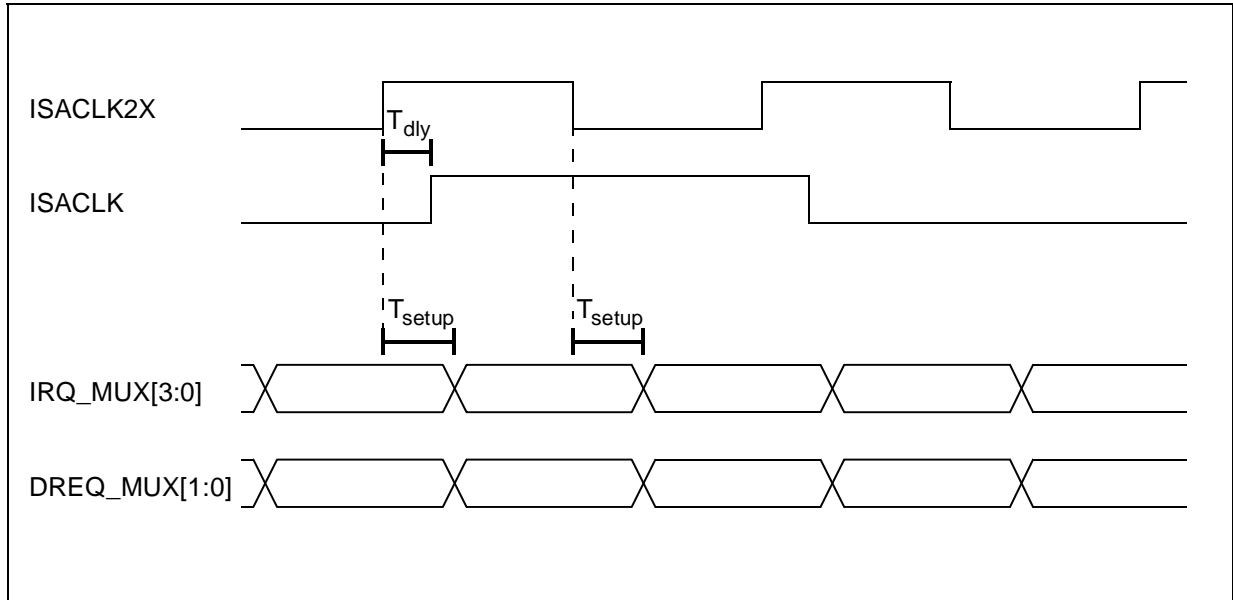


Table 4-12. IPC Interface AC Timings

Name	Parameter	Min	Max	Unit
$T_{dly}$	ISACLK2X to ISACLK delay			nS
	ISACLK2X to DACK_ENC[2:0] valid			nS
	ISACLK2X to TC valid			nS
$T_{setup}$	IRQ_MUX[3:0] Input setup to ISACLK2X	0	-	nS
$T_{setup}$	DREQ_MUX[1:0] Input setup to ISACLK2X	0	-	nS

4.5.6 ISA INTERFACE AC TIMING CHARACTERISTICS

Table 4-7 and Table 4-13 list the AC characteristics of the ISA interface.

Figure 4-7 ISA Cycle (ref Table 4-13)

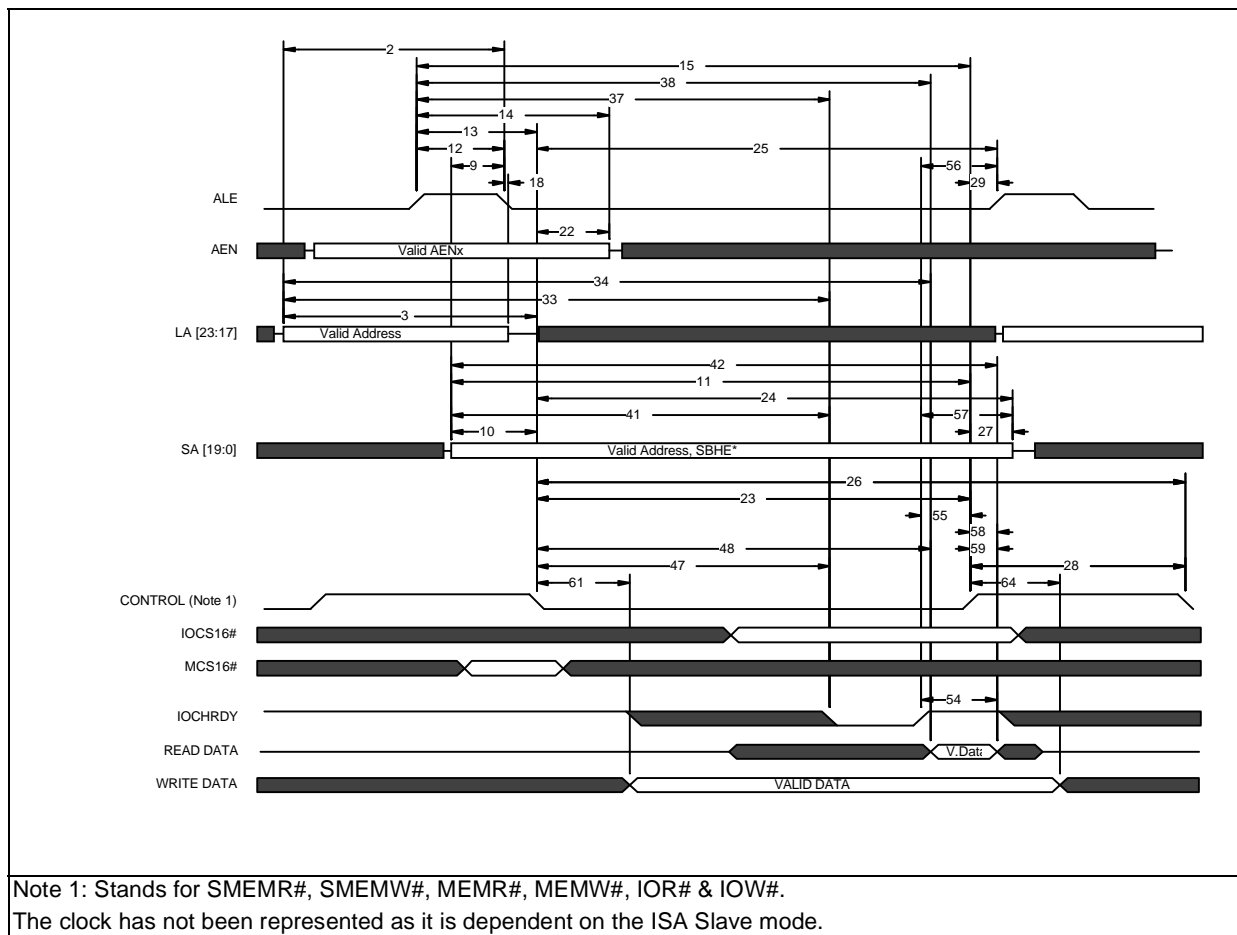


Table 4-13. ISA Bus AC Timing

Name	Parameter	Min	Max	Units
2	LA[23:17] valid before ALE# negated	5T		Cycles
3	LA[23:17] valid before MEMR#, MEMW# asserted			
	3a Memory access to 16-bit ISA Slave	5T		Cycles
	3b Memory access to 8-bit ISA Slave	5T		Cycles
9	SA[19:0] & SBHE valid before ALE# negated	1T		Cycles
10	SA[19:0] & SBHE valid before MEMR#, MEMW# asserted			
	10a Memory access to 16-bit ISA Slave	2T		Cycles
	10b Memory access to 8-bit ISA Slave	2T		Cycles
10	SA[19:0] & SBHE valid before SMEMR#, SMEMW# asserted			
	10c Memory access to 16-bit ISA Slave	2T		Cycle

Note: The signal numbering refers to Table 4-7

## ELECTRICAL SPECIFICATIONS

**Table 4-13. ISA Bus AC Timing**

Name	Parameter	Min	Max	Units
	10d Memory access to 8-bit ISA Slave	2T		Cycle
10e	SA[19:0] & SBHE valid before IOR#, IOW# asserted	2T		Cycles
<b>11</b>	<b>ISACK2X to IOW# valid</b>			
	11a Memory access to 16-bit ISA Slave - 2BCLK	2T		Cycles
	11b Memory access to 16-bit ISA Slave - Standard 3BCLK	2T		Cycles
	11c Memory access to 16-bit ISA Slave - 4BCLK	2T		Cycles
	11d Memory access to 8-bit ISA Slave - 2BCLK	2T		Cycles
11e	Memory access to 8-bit ISA Slave - Standard 3BCLK	2T		Cycles
12	ALE# asserted before ALE# negated	1T		Cycles
<b>13</b>	<b>ALE# asserted before MEMR#, MEMW# asserted</b>			
	13a Memory Access to 16-bit ISA Slave	2T		Cycles
	13b Memory Access to 8-bit ISA Slave	2T		Cycles
<b>13</b>	<b>ALE# asserted before SMEMR#, SMEMW# asserted</b>			
	13c Memory Access to 16-bit ISA Slave	2T		Cycles
	13d Memory Access to 8-bit ISA Slave	2T		Cycles
13e	ALE# asserted before IOR#, IOW# asserted	2T		Cycles
<b>14</b>	<b>ALE# asserted before AL[23:17]</b>			
	14a Non compressed	15T		Cycles
	14b Compressed	15T		Cycles
<b>15</b>	<b>ALE# asserted before MEMR#, MEMW#, SMEMR#, SMEMW# negated</b>			
	15a Memory Access to 16-bit ISA Slave- 4 BCLK	11T		Cycles
	15e Memory Access to 8-bit ISA Slave- Standard Cycle	11T		Cycles
18a	ALE# negated before LA[23:17] invalid (non compressed)	14T		Cycles
18a	ALE# negated before LA[23:17] invalid (compressed)	14T		Cycles
<b>22</b>	<b>MEMR#, MEMW# asserted before LA[23:17]</b>			
	22a Memory access to 16-bit ISA Slave.	13T		Cycles
	22b Memory access to 8-bit ISA Slave.	13T		Cycles
<b>23</b>	<b>MEMR#, MEMW# asserted before MEMR#, MEMW# negated</b>			
	23b Memory access to 16-bit ISA Slave Standard cycle	9T		Cycles
	23e Memory access to 8-bit ISA Slave Standard cycle	9T		Cycles
<b>23</b>	<b>SMEMR#, SMEMW# asserted before SMEMR#, SMEMW# negated</b>			
	23h Memory access to 16-bit ISA Slave Standard cycle	9T		Cycles
	23l Memory access to 16-bit ISA Slave Standard cycle	9T		Cycles
<b>23</b>	<b>IOR#, IOW# asserted before IOR#, IOW# negated</b>			
	23o Memory access to 16-bit ISA Slave Standard cycle	9T		Cycles
	23r Memory access to 8-bit ISA Slave Standard cycle	9T		Cycles
<b>24</b>	<b>MEMR#, MEMW# asserted before SA[19:0]</b>			
	24b Memory access to 16-bit ISA Slave Standard cycle	10T		Cycles
	24d Memory access to 8-bit ISA Slave - 3BCLK	10T		Cycles
	24e Memory access to 8-bit ISA Slave Standard cycle	10T		Cycles
	24f Memory access to 8-bit ISA Slave - 7BCLK	10T		Cycles
<b>24</b>	<b>SMEMR#, SMEMW# asserted before SA[19:0]</b>			
	24h Memory access to 16-bit ISA Slave Standard cycle	10T		Cycles
	24i Memory access to 16-bit ISA Slave - 4BCLK	10T		Cycles
	24k Memory access to 8-bit ISA Slave - 3BCLK	10T		Cycles
	24l Memory access to 8-bit ISA Slave Standard cycle	10T		Cycles

Note: The signal numbering refers to [Table 4-7](#)

## ELECTRICAL SPECIFICATIONS

**Table 4-13. ISA Bus AC Timing**

Name	Parameter	Min	Max	Units
<b>24</b>	<b>IOR#, IOW# asserted before SA[19:0]</b>			
24o	I/O access to 16-bit ISA Slave Standard cycle	19T		Cycles
24r	I/O access to 16-bit ISA Slave Standard cycle	19T		Cycles
<b>25</b>	<b>MEMR#, MEMW# asserted before next ALE# asserted</b>			
25b	Memory access to 16-bit ISA Slave Standard cycle	10T		Cycles
25d	Memory access to 8-bit ISA Slave Standard cycle	10T		Cycles
<b>25</b>	<b>SMEMR#, SMEMW# asserted before next ALE# asserted</b>			
25e	Memory access to 16-bit ISA Slave - 2BCLK	10T		Cycles
25f	Memory access to 16-bit ISA Slave Standard cycle	10T		Cycles
25h	Memory access to 8-bit ISA Slave Standard cycle	10T		Cycles
<b>25</b>	<b>IOR#, IOW# asserted before next ALE# asserted</b>			
25i	I/O access to 16-bit ISA Slave Standard cycle	10T		Cycles
25k	I/O access to 16-bit ISA Slave Standard cycle	10T		Cycles
<b>26</b>	<b>MEMR#, MEMW# asserted before next MEMR#, MEMW# asserted</b>			
26b	Memory access to 16-bit ISA Slave Standard cycle	12T		Cycles
26d	Memory access to 8-bit ISA Slave Standard cycle	12T		Cycles
<b>26</b>	<b>SMEMR#, SMEMW# asserted before next SMEMR#, SMEMW# asserted</b>			
26f	Memory access to 16-bit ISA Slave Standard cycle	12T		Cycles
26h	Memory access to 8-bit ISA Slave Standard cycle	12T		Cycles
<b>26</b>	<b>IOR#, IOW# asserted before next IOR#, IOW# asserted</b>			
26i	I/O access to 16-bit ISA Slave Standard cycle	12T		Cycles
26k	I/O access to 8-bit ISA Slave Standard cycle	12T		Cycles
<b>28</b>	<b>Any command negated to MEMR#, SMEMR#, MEMR#, SMEMW# asserted</b>			
28a	Memory access to 16-bit ISA Slave	3T		Cycles
28b	Memory access to 8-bit ISA Slave	3T		Cycles
<b>28</b>	<b>Any command negated to IOR#, IOW# asserted</b>			
28c	I/O access to ISA Slave	3T		Cycles
29a	MEMR#, MEMW# negated before next ALE# asserted	1T		Cycles
29b	SMEMR#, SMEMW# negated before next ALE# asserted	1T		Cycles
29c	IOR#, IOW# negated before next ALE# asserted	1T		Cycles
<b>33</b>	<b>LA[23:17] valid to IOCHRDY# negated</b>			
33a	Memory access to 16-bit ISA Slave - 4 BCLK	8T		Cycles
33b	Memory access to 8-bit ISA Slave - 7 BCLK	14T		Cycles
<b>34</b>	<b>LA[23:17] valid to read data valid</b>			
34b	Memory access to 16-bit ISA Slave Standard cycle	8T		Cycles
34e	Memory access to 8-bit ISA Slave Standard cycle	14T		Cycles
<b>37</b>	<b>ALE# asserted to IOCHRDY# negated</b>			
37a	Memory access to 16-bit ISA Slave - 4 BCLK	6T		Cycles
37b	Memory access to 8-bit ISA Slave - 7 BCLK	12T		Cycles
37c	I/O access to 16-bit ISA Slave - 4 BCLK	6T		Cycles
37d	I/O access to 8-bit ISA Slave - 7 BCLK	12T		Cycles
<b>38</b>	<b>ALE# asserted to read data valid</b>			
38b	Memory access to 16-bit ISA Slave Standard Cycle	4T		Cycles
38e	Memory access to 8-bit ISA Slave Standard Cycle	10T		Cycles
38h	I/O access to 16-bit ISA Slave Standard Cycle	4T		Cycles
38l	I/O access to 8-bit ISA Slave Standard Cycle	10T		Cycles

Note: The signal numbering refers to [Table 4-7](#)

## ELECTRICAL SPECIFICATIONS

**Table 4-13. ISA Bus AC Timing**

Name	Parameter	Min	Max	Units
<b>41</b>	<b>SA[19:0] SBHE valid to IOCHRDY negated</b>			
41a	Memory access to 16-bit ISA Slave	6T		Cycles
41b	Memory access to 8-bit ISA Slave	12T		Cycles
41c	I/O access to 16-bit ISA Slave	6T		Cycles
41d	I/O access to 8-bit ISA Slave	12T		Cycles
<b>42</b>	<b>SA[19:0] SBHE valid to read data valid</b>			
42b	Memory access to 16-bit ISA Slave Standard cycle	4T		Cycles
42e	Memory access to 8-bit ISA Slave Standard cycle	10T		Cycles
42h	I/O access to 16-bit ISA Slave Standard cycle	4T		Cycles
42l	I/O access to 8-bit ISA Slave Standard cycle	10T		Cycles
<b>47</b>	<b>MEMR#, MEMW#, SMEMR#, SMEMW#, IOR#, IOW# asserted to IOCHRDY negated</b>			
47a	Memory access to 16-bit ISA Slave	2T		Cycles
47b	Memory access to 8-bit ISA Slave	5T		Cycles
47c	I/O access to 16-bit ISA Slave	2T		Cycles
47d	I/O access to 8-bit ISA Slave	5T		Cycles
<b>48</b>	<b>MEMR#, SMEMR#, IOR# asserted to read data valid</b>			
48b	Memory access to 16-bit ISA Slave Standard Cycle	2T		Cycles
48e	Memory access to 8-bit ISA Slave Standard Cycle	5T		Cycles
48h	I/O access to 16-bit ISA Slave Standard Cycle	2T		Cycles
48l	I/O access to 8-bit ISA Slave Standard Cycle	5T		Cycles
<b>54</b>	<b>IOCHRDY asserted to read data valid</b>			
54a	Memory access to 16-bit ISA Slave	1T(R)/2T(W)		Cycles
54b	Memory access to 8-bit ISA Slave	1T(R)/2T(W)		Cycles
54c	I/O access to 16-bit ISA Slave	1T(R)/2T(W)		Cycles
54d	I/O access to 8-bit ISA Slave	1T(R)/2T(W)		Cycles
55a	IOCHRDY asserted to MEMR#, MEMW#, SMEMR#, SMEMW#, IOR#, IOW# negated	1T		Cycles
55b	IOCHRY asserted to MEMR#, SMEMR# negated (refresh)	1T		Cycles
56	IOCHRDY asserted to next ALE# asserted	2T		Cycles
57	IOCHRDY asserted to SA[19:0], SBHE invalid	2T		Cycles
58	MEMR#, IOR#, SMEMR# negated to read data invalid	0T		Cycles
59	MEMR#, IOR#, SMEMR# negated to data bus float	0T		Cycles
<b>61</b>	<b>Write data before MEMW# asserted</b>			
61a	Memory access to 16-bit ISA Slave	2T		Cycles
61b	Memory access to 8-bit ISA Slave (Byte copy at end of start)	2T		Cycles
<b>61</b>	<b>Write data before SMEMW# asserted</b>			
61c	Memory access to 16-bit ISA Slave	2T		Cycles
61d	Memory access to 8-bit ISA Slave	2T		Cycles
<b>61</b>	<b>Write Data valid before IOW# asserted</b>			
61e	I/O access to 16-bit ISA Slave	2T		Cycles
61f	I/O access to 8-bit ISA Slave	2T		Cycles
64a	MEMW# negated to write data invalid - 16-bit	1T		Cycles
64b	MEMW# negated to write data invalid - 8-bit	1T		Cycles
64c	SMEMW# negated to write data invalid - 16-bit	1T		Cycles
64d	SMEMW# negated to write data invalid - 8-bit	1T		Cycles

Note: The signal numbering refers to [Table 4-7](#)

## ELECTRICAL SPECIFICATIONS

**Table 4-13. ISA Bus AC Timing**

<b>Name</b>	<b>Parameter</b>	<b>Min</b>	<b>Max</b>	<b>Units</b>
64e	IOW# negated to write data invalid	1T		Cycles
64f	MEMW# negated to copy data float, 8-bit ISA Slave, odd Byte by ISA Master	1T		Cycles
64g	IOW# negated to copy data float, 8-bit ISA Slave, odd Byte by ISA Master	1T		Cycles

Note: The signal numbering refers to [Table 4-7](#)

## ELECTRICAL SPECIFICATIONS

### 4.5.7. LOCAL BUS INTERFACE

Figure 4-3 to Figure 4-11 and Table 4-15 list the AC characteristics of the Local Bus interface.

Figure 4-8. Synchronous Read Cycle

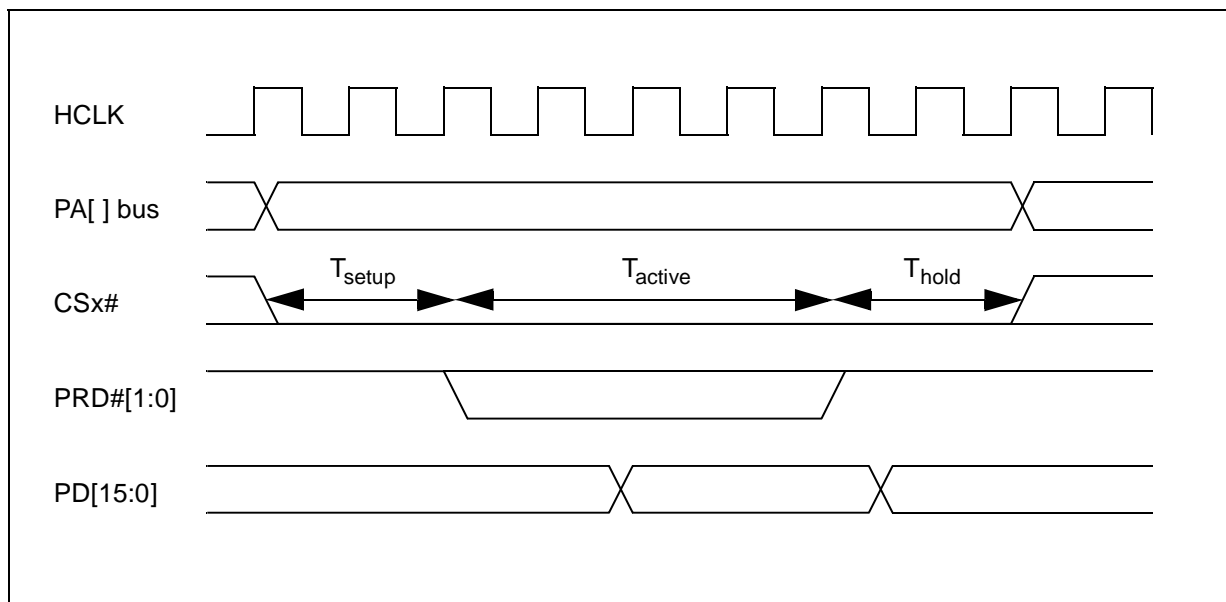


Figure 4-9. Asynchronous Read Cycle

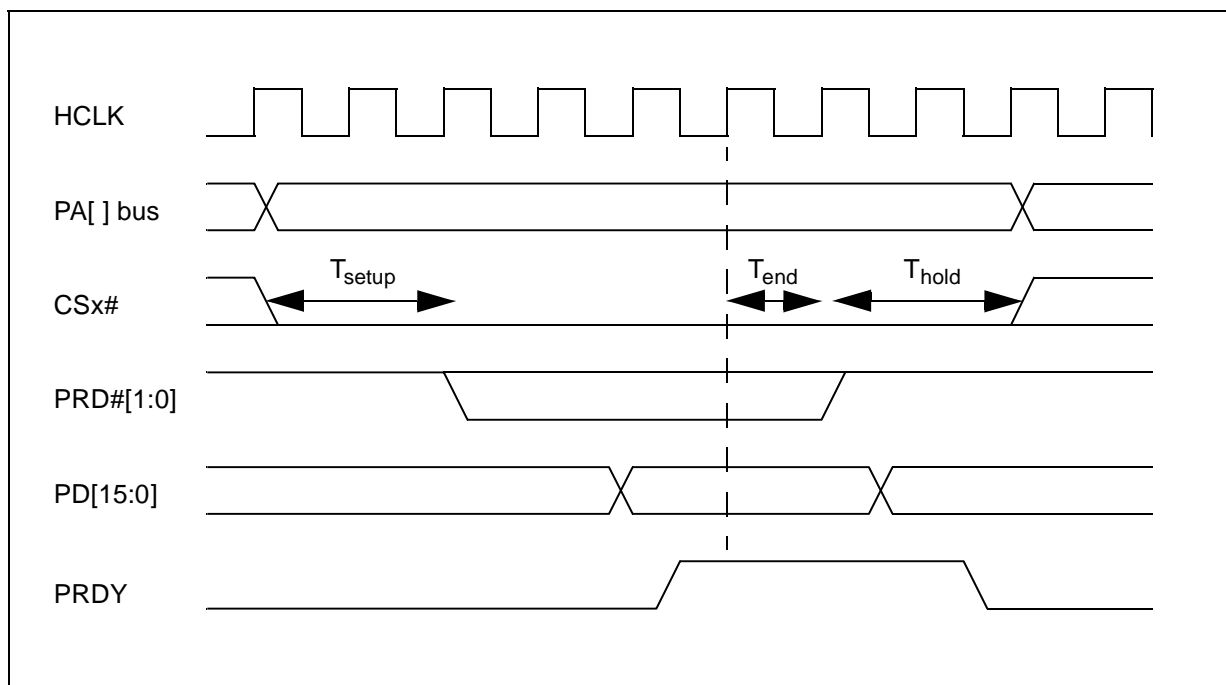




Figure 4-10. Synchronous Write Cycle

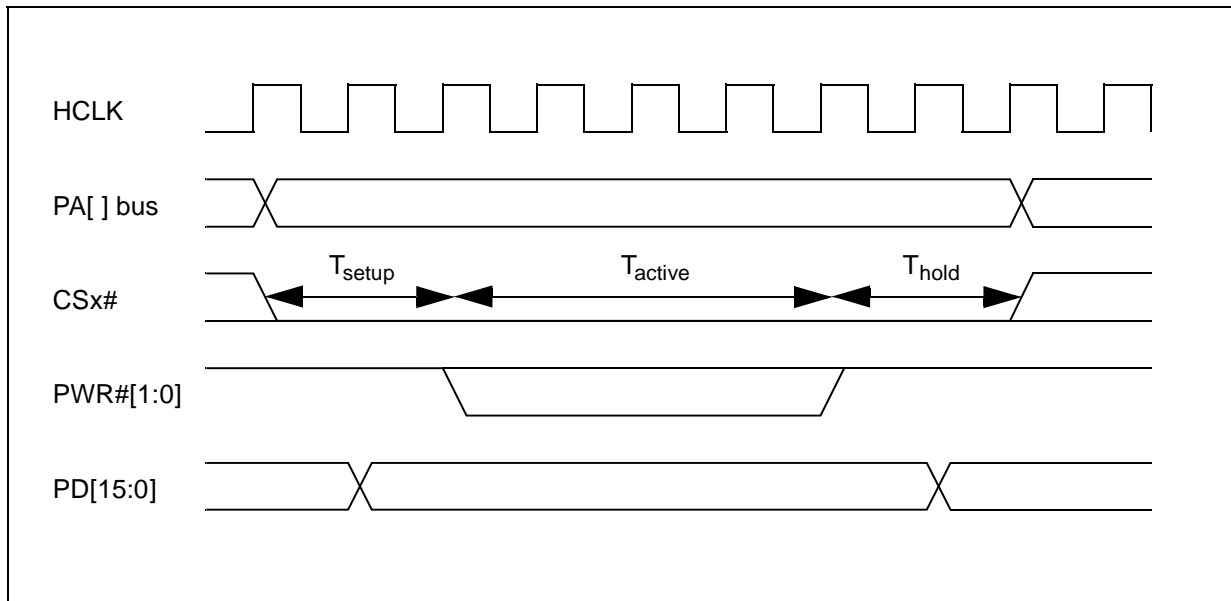
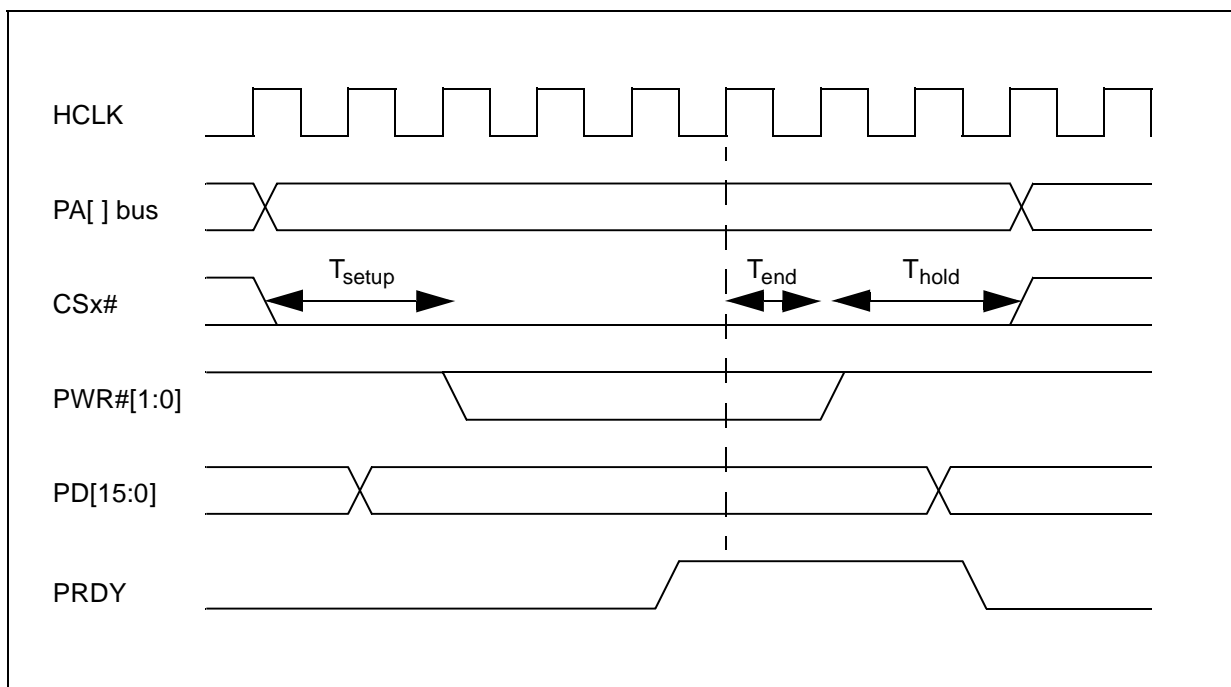


Figure 4-11. Asynchronous Write Cycle



## ELECTRICAL SPECIFICATIONS

The [Table 4-14](#) below refers to  $V_h$ ,  $V_a$ ,  $V_s$  which are the register value for Setup time, Active Time and Hold time, as described in the Programming Manual.

**Table 4-14. Local Bus cycle length**

Cycle	$T_{\text{setup}}$	$T_{\text{active}}$	$T_{\text{hold}}$	$T_{\text{end}}$	Unit
Memory (FCSx#)	$4 + V_h$	$2 + V_a$	$4 + V_s$	4	HCLK
Peripheral (IOCSx#)	$8 + V_h$	$3 + V_a$	$4 + V_s$	4	HCLK

**Table 4-15. Local Bus Interface AC Timing**

Name	Parameters	Min	Max	Units
	HCLK to PA bus	-	15	nS
	HCLK to PD bus	-	15	nS
	HCLK to FCS#[1:0]	-	15	nS
	HCLK to IOCS#[3:0]	-	15	nS
	HCLK to PWR#[1:0]	-	15	nS
	HCLK to PRD#[1:0]	-	15	nS
	PD[15:0] Input setup to HCLK	-	4	nS
	PD[15:0] Input hold to HCLK	2	-	nS
	PRDY Input setup to HCLK	-	4	nS
	PRDY Input hold to HCLK	2	-	nS

## 4.5.8 VGA INTERFACE

Table 4-16 lists the AC characteristics of the VGA interface.

**Table 4-16. Graphics Adapter (VGA) AC Timing**

Name	Parameter	Min	Max	Unit
	DCLK (input) Cycle Time			ns
	DCLK (input) High Time			ns
	DCLK (input) Low Time			ns
	DCLK (input) Rising Time			ns
	DCLK (input) Falling Time			ns
	DCLK (input) to R,G,B valid			ns
	DCLK (input) to HSYNC valid			ns
	DCLK (input) to VSYNC valid			ns
	DCLK (input) to COL_SEL valid			ns
	DCLK (output) Cycle Time			ns
	DCLK (output) High Time			ns
	DCLK (output) Low Time			ns
	DCLK (output) to R,G,B valid			ns
	DCLK (output) to HSYNC valid			ns
	DCLK (output) to VSYNC valid			ns
	DCLK (output) to COL_SEL valid			ns

## ELECTRICAL SPECIFICATIONS

---

### 4.5.9 VIDEO INPUT PORT

Table 4-17 lists the AC characteristics of the VIP interface.

**Table 4-17. Video Input AC Timings**

Name	Parameter	Min	Max	Unit
	VCLK Cycle Time			ns
	VCLK High Time			ns
	VCLK Low Time			ns
	VCLK Rising Time			ns
	VCLK Falling Time			ns
	VIN[7:0] setup to VCLK			ns
	VIN[7:0] hold from VCLK			ns
	ODD_EVEN setup to VCLK			ns
	ODD_EVEN hold from VCLK			ns
	VCS setup to VCLK			ns
	VCS hold from VCLK			ns

4.5.10 IDE INTERFACE

Table 4-18 lists the AC characteristics of the IDE interface.

Table 4-18. IDE Interface Timing

Name	Parameters	Min	Max	Units
	DD[15:0] setup to PIOR#/SIOR# falling	15	-	ns
	DD[15:0] hold to PIOR#/SIOR# falling	0	-	ns

4.5.11 JTAG INTERFACE

Figure 4-12 and Table 4-17 list the AC characteristics of the JTAG interface.

Figure 4-12. JTAG timing diagram

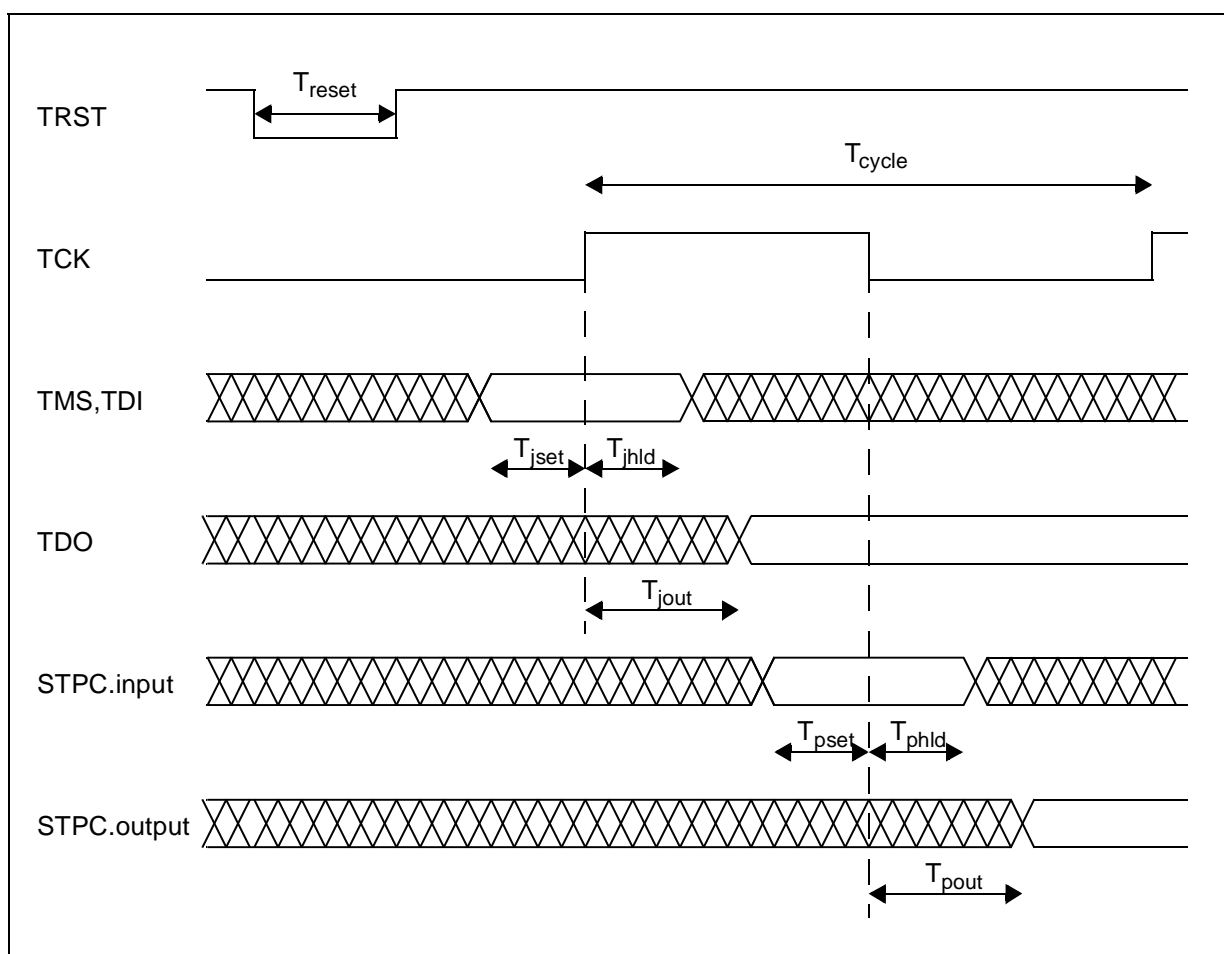


Table 4-19. JTAG AC Timings

Name	Parameter	Min	Max	Unit
Treset	TRST pulse width	1		Tcycle
Tcycle	TCLK period	400		ns
	TCLK rising time		20	ns
	TCLK falling time		20	ns

## ELECTRICAL SPECIFICATIONS

---

**Table 4-19. JTAG AC Timings**

Tjset	TMS setup time	200		ns
Tjhld	TMS hold time	200		ns
Tjset	TDI setup time	200		ns
Tjhld	TDI hold time	200		ns
Tjout	TCLK to TDO valid		30	ns
Tpset	STPC pin setup time	30		ns
Tphld	STPC pin hold time	30		ns
Tpout	TCLK to STPC pin valid		30	ns

*4.5.12 INTENSIONNALLY BLANK*

## ELECTRICAL SPECIFICATIONS

---



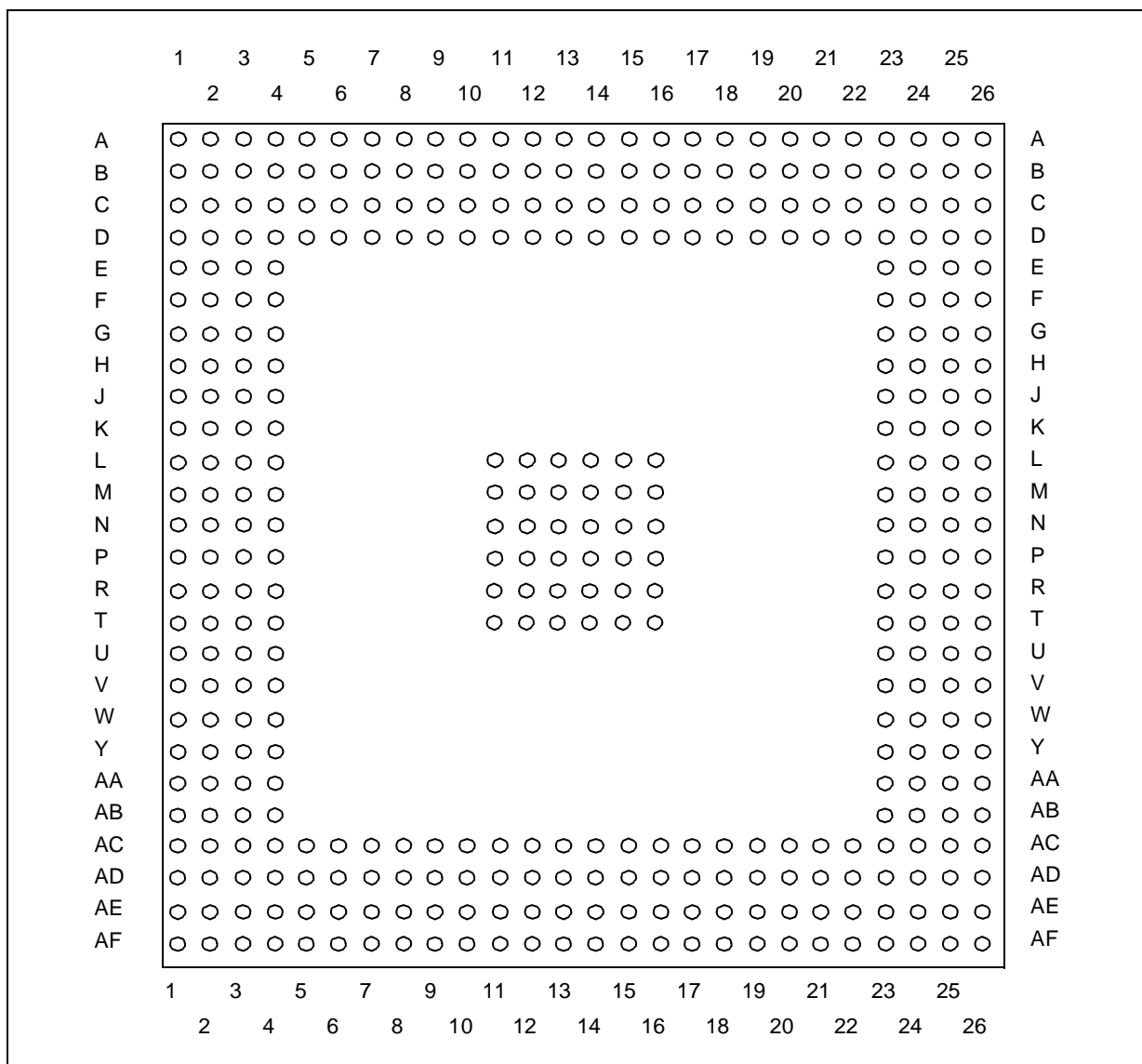
## 5. MECHANICAL DATA

### 5.1. 388-PIN PACKAGE DIMENSION

Dimensions are shown in [Figure 5-2, Table 5-1](#) and [Figure 5-3, Table 5-2](#).

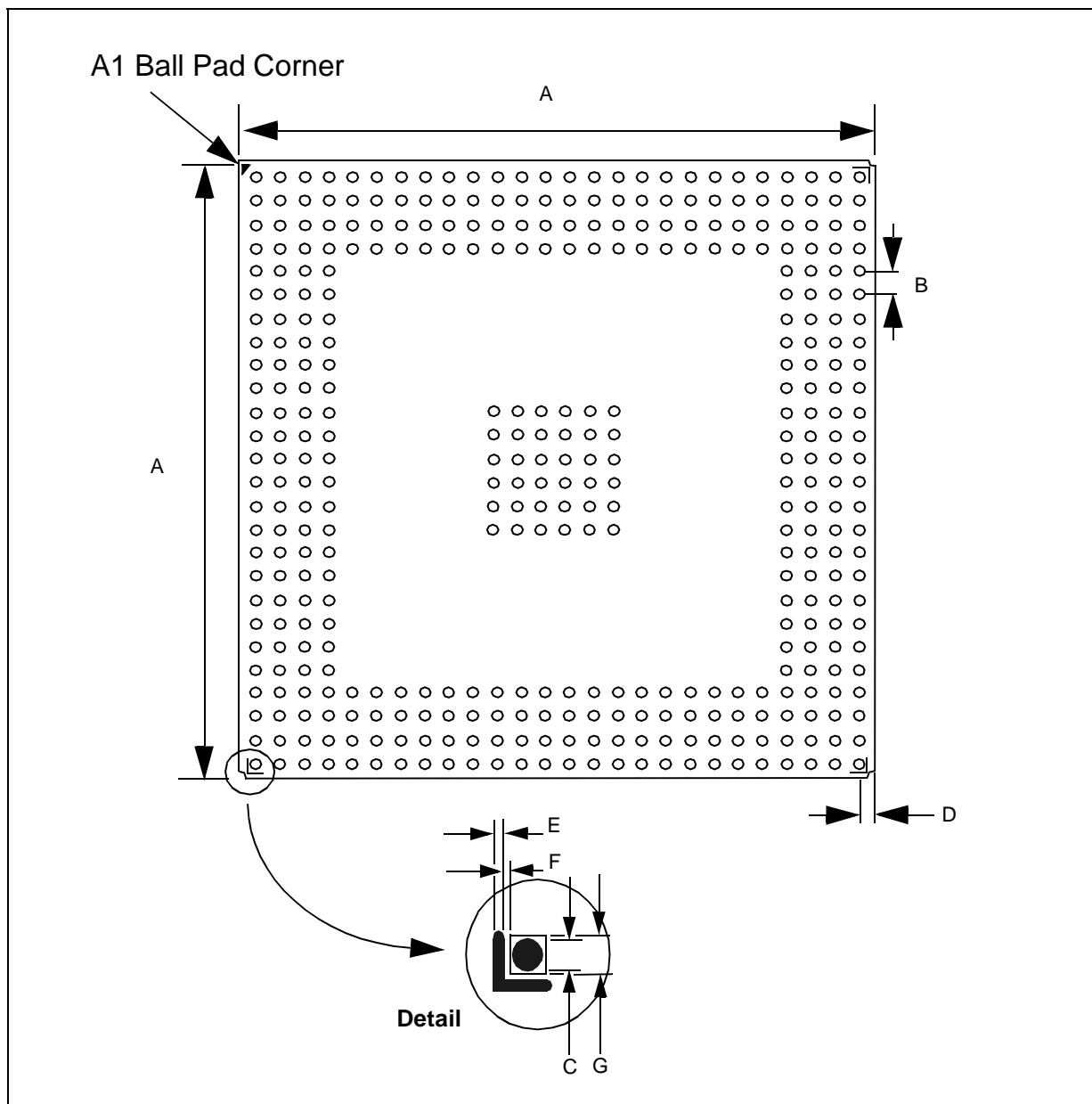
The pin numbering for the STPC 388-pin Plastic BGA package is shown in [Figure 5-1](#).

**Figure 5-1. 388-Pin PBGA Package - Top View**



**MECHANICAL DATA**

**Figure 5-2. 388-pin PBGA Package - PCB Dimensions**



**Table 5-1. 388-pin PBGA Package - PCB Dimensions**

Symbols	mm			inches		
	Min	Typ	Max	Min	Typ	Max
A	34.95	35.00	35.05	1.375	1.378	1.380
B	1.22	1.27	1.32	0.048	0.050	0.052
C	0.58	0.63	0.68	0.023	0.025	0.027
D	1.57	1.62	1.67	0.062	0.064	0.066
E	0.15	0.20	0.25	0.006	0.008	0.011
F	0.05	0.10	0.15	0.002	0.004	0.006
G	0.75	0.80	0.85	0.030	0.032	0.034

Figure 5-3. 388-pin PBGA Package - Dimensions

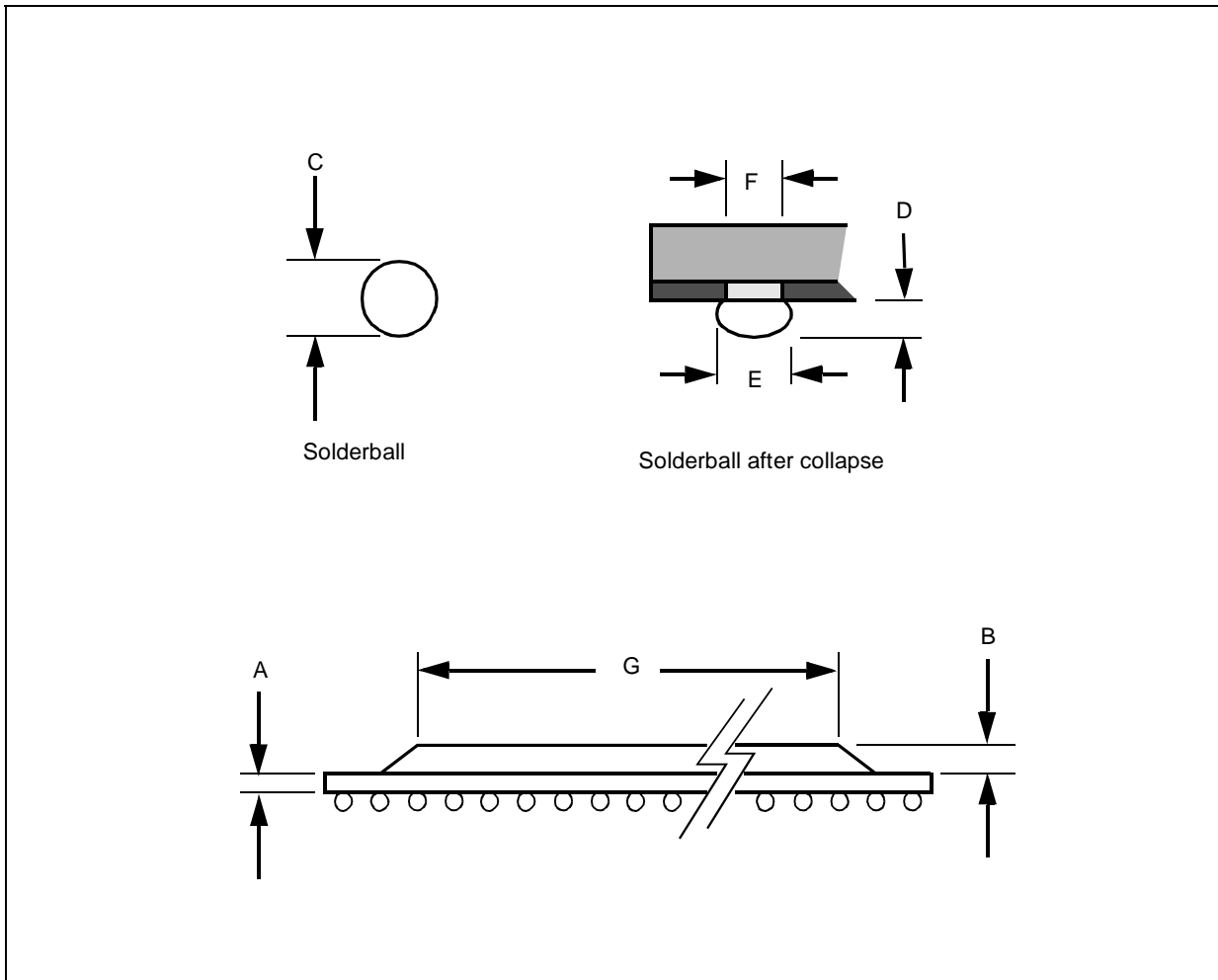


Table 5-2. 388-pin PBGA Package - Dimensions

Symbols	mm			inches		
	Min	Typ	Max	Min	Typ	Max
A	0.50	0.56	0.62	0.020	0.022	0.024
B	1.12	1.17	1.22	0.044	0.046	0.048
C	0.60	0.76	0.92	0.024	0.030	0.036
D	0.52	0.53	0.54	0.020	0.021	0.022
E	0.63	0.78	0.93	0.025	0.031	0.037
F	0.60	0.63	0.66	0.024	0.025	0.026
G		30.0			11.8	

## MECHANICAL DATA

### 5.2. 388-PIN PACKAGE THERMAL DATA

The 388-pin PBGA package has a Power Dissipation Capability of 4.5W. This increases to 6W when used with a Heatsink.

The structure is shown in Figure 5-4.

Thermal dissipation options are illustrated in Figure 5-5 and Figure 5-6.

Figure 5-4. 388-Pin PBGA structure

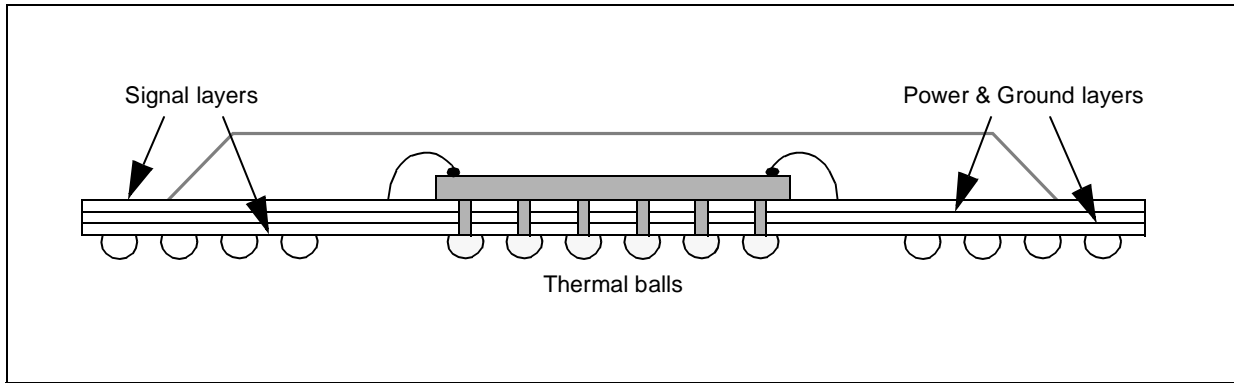


Figure 5-5. Thermal Dissipation Without Heatsink

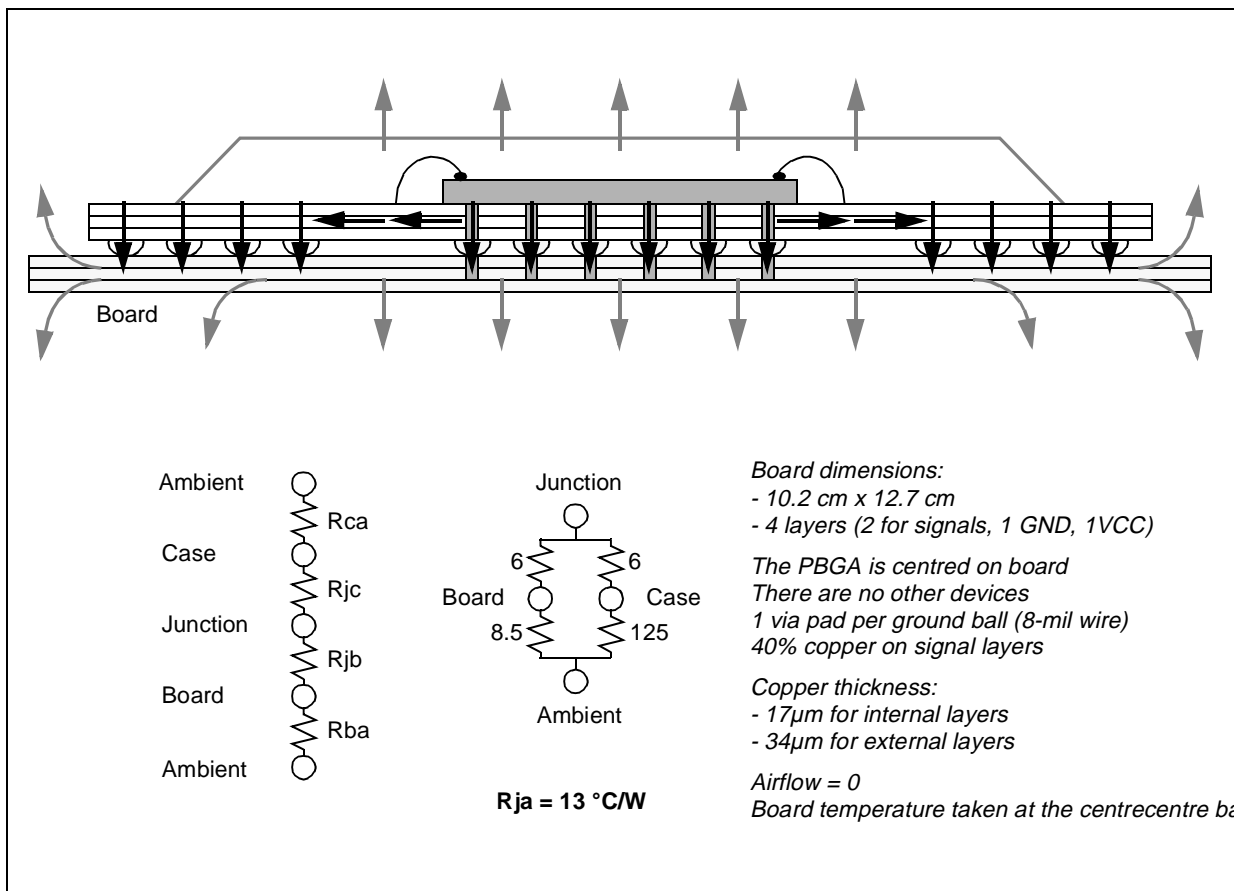
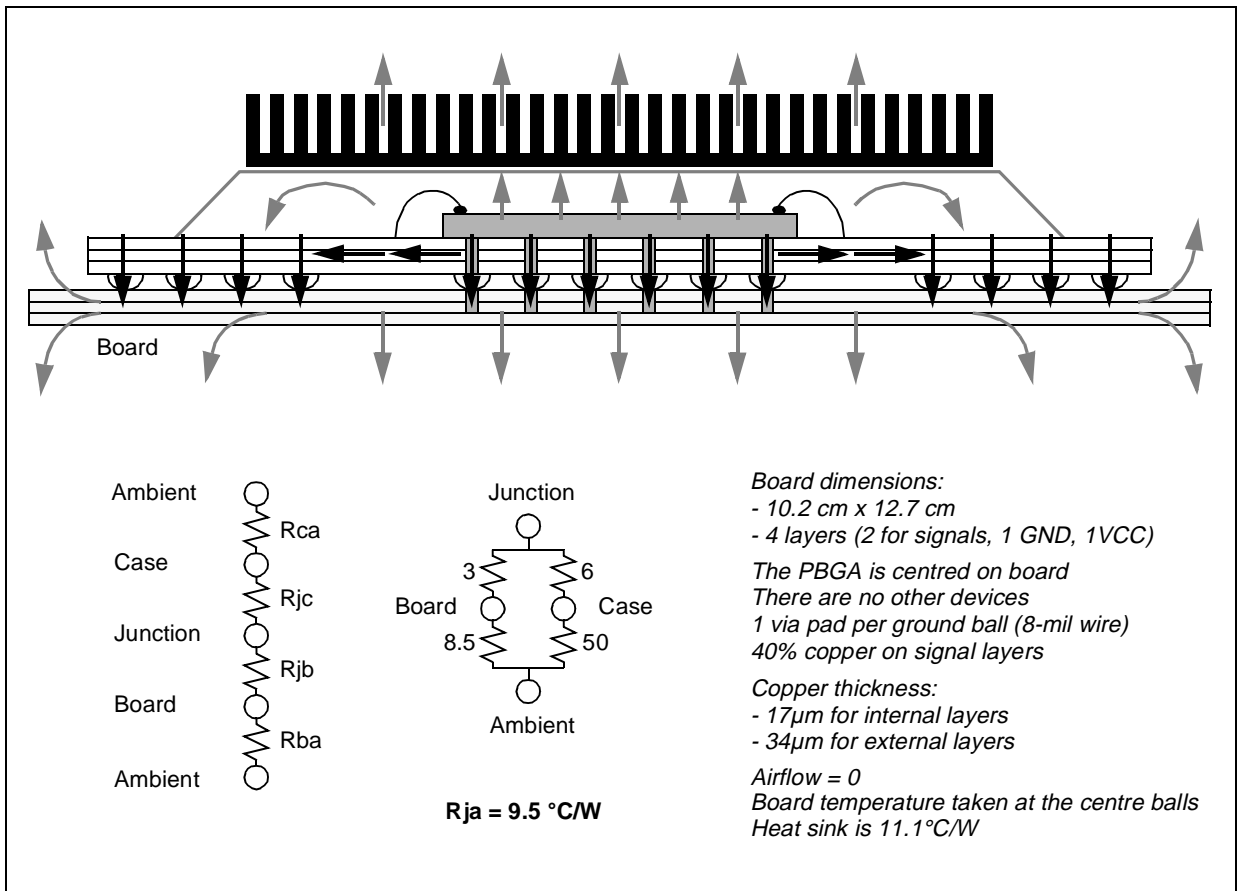


Figure 5-6. Thermal Dissipation With Heatsink



## MECHANICAL DATA

### 5.3. SOLDERING RECOMMENDATIONS

High quality, low defect soldering requires identifying the **optimum temperature profile** for reflowing the solder paste, therefore optimizing the process. The heating and cooling rise rates must be compatible with the solder paste and components. A typical profile consists of a preheat, dryout, reflow and cooling sections.

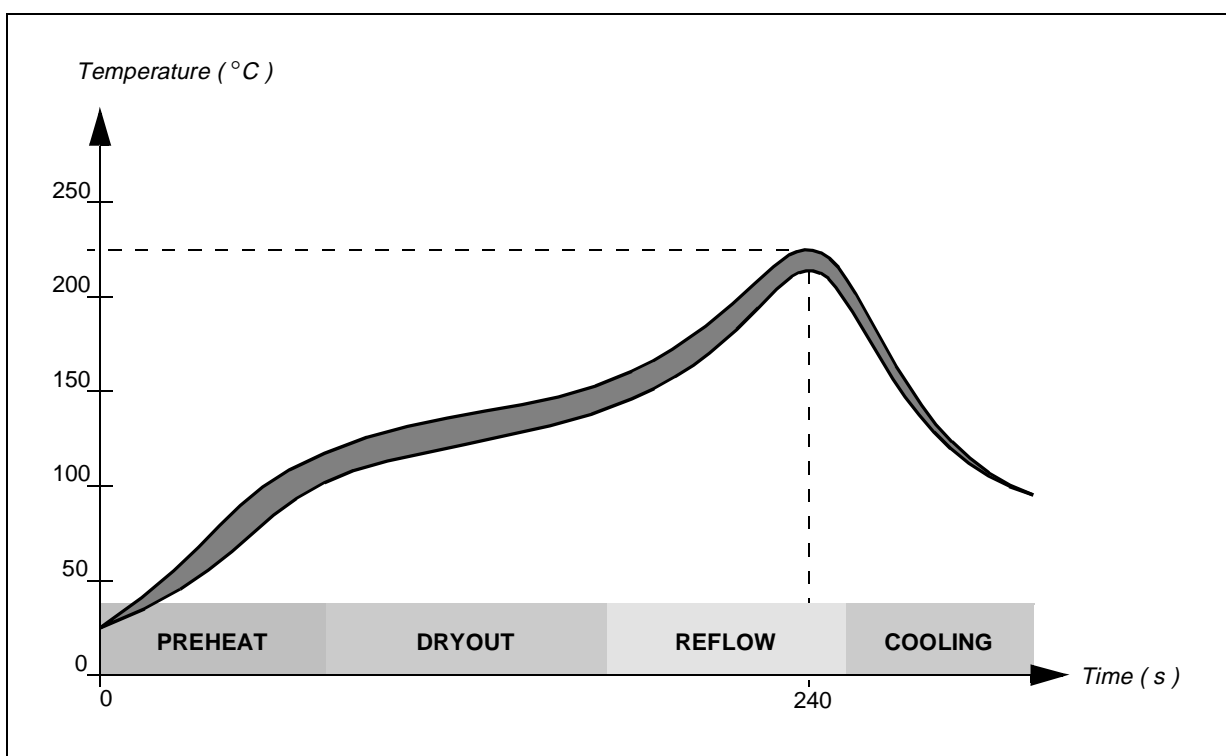
The most critical parameter in the **preheat section** is to minimize the rate of temperature rise to less than 2°C / second, in order to minimize thermal shock on the semi-conductor components.

**Dryout section** is used primarily to ensure that the solder paste is fully dried before hitting reflow temperatures.

Solder reflow is accomplished in the **reflow zone**, where the solder paste is elevated to a temperature greater than the melting point of the solder. Melting temperature must be exceeded by approximately 20°C to ensure quality reflow.

In reality the profile is not a line, but rather **a range of temperatures** all solder joints must be exposed. The total temperature deviation from component thermal mismatch, oven loading and oven uniformity must be within the band.

Figure 5-7. Reflow soldering temperature range



## 6. DESIGN GUIDELINES

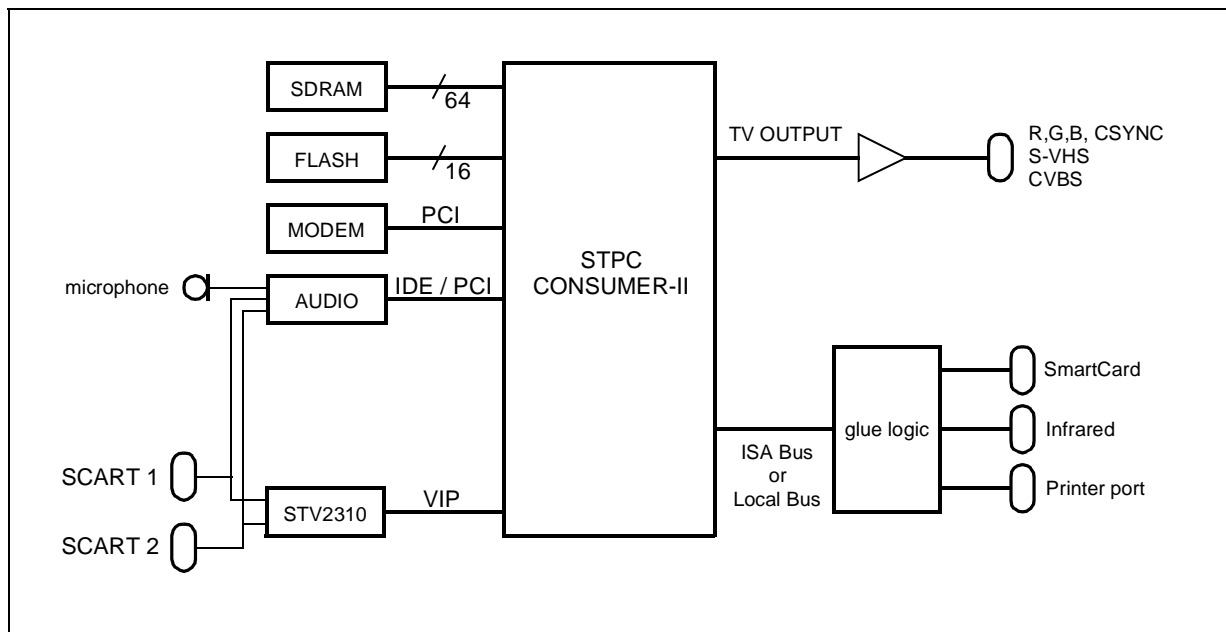
### 6.1. TYPICAL APPLICATIONS

The STPC Consumer-II is well suited for many applications. Some of the possible implementations are described below.

#### 6.1.1. WEB BOX

A web box is an analog set top box providing internet browsing capability to a TV set. It has a TV output for connecting to the TV set, a modem for internet connection, a smartcard interface for the ISP access control, and an infrared interface for the remote control or the keyboard.

Figure 6-1. Web Box



## DESIGN GUIDELINES

### 6.2. STPC CONFIGURATION

The STPC is a very flexible product thanks to decoupled clock domains and to strap options enabling a user-optimized configuration.

As some trade off are often necessary, it is important to do an analysis of the application needs prior to design a system based on this product. The applicative constraints are usually the following:

- CPU performance
- graphics / video performances
- power consumption
- PCI bandwidth
- booting time
- EMC

Some other elements can help to tune the choice:

- Code size of CPU Consuming tasks
- Data size and location

On the STPC side, the configurable parameters are the following:

- synchronous / asynchronous mode
- HCLK speed
- MCLK speed
- CPU clock ratio (x1, x2)
- Local Bus / ISA bus

#### 6.2.1. LOCAL BUS / ISA BUS

The selection between the ISA bus and the Local Bus is relatively simple. The first one is a standard bus but slow. The Local Bus is fast and programmable but doesn't support any DMA nor external master mechanisms. The [Table 6-1](#) below summarize the selection:

**Table 6-1. Bus mode selection**

Need	Selection
Legacy I/O device (Floppy, ...), Super I/O	ISA Bus
DMA capability (Soundblaster)	ISA Bus
Flash, SRAM, basic I/O device	Local Bus
Fast boot	Local Bus
Boot flash of 4MB or more	Local Bus
Programmable Chip Select	Local Bus

Before implementing a function requiring DMA capability on the ISA bus, it is recommended to check if it exists on PCI, or if it can be implemented differently, in order to use the local bus mode.

#### 6.2.2. CLOCK CONFIGURATION

The CPU clock and the memory clock are independent unless the "synchronous mode" strap option is set (see the STRAP OPTIONS chapter). The potential clock configurations are then relatively limited as listed in [Table 6-2](#).

**Table 6-2. Main STPC modes**

C	Mode	HCLK MHz	CPU clock clock ratio	MCLK MHz
1	Synchronous	66	133 (x2)	66
2	Asynchronous	66	133 (x2)	100
3	Synchronous	100	100 (x1)	100

The advantage of the synchronous mode compared to the asynchronous mode is a lower latency when accessing SDRAM from the CPU or the PCI (saves 4 MCLK cycles for the first access of the burst). For the same CPU to Memory transfer performance, MCLK as to be roughly higher by 20MHz between SYNC and ASYNC modes (example: 66MHz SYNC = 96MHz ASYNC).

In all cases, use SDRAM with CAS Latency equals to 2 (CL2) for the best performances.

The advantage of the asynchronous mode is the capability to reprogram the MCLK speed on the fly. This could help for applications were power consumption must be optimized.

Regarding PCI bandwidth, the best is to have HCLK at 100MHz as it gives twice the bandwidth compared to HCLK at 66MHz.

The last, and more complex, information to consider is the behaviour of the software. In case high CPU or FPU computation is needed, it is sometime better to be in DX2-133/MCLK=66 synchronous mode than DX2-133/MCLK=100 asynchronous mode. This depends on the locality of the number crunching code and the amount of data manipulated.

The [Table 6-3](#) below gives some examples. The right column correspond to the configuration number as described in [Table 6-2](#):

**Table 6-3. Clock mode selection**

Constraints	C
Need CPU power Critical code fits into L1 cache	1
Need CPU power Code or data does not fit into L1 cache	3
Need high PCI bandwidth	3
Need flexible SDRAM speed	2

Obviously, the values for HCLK or MCLK can be reduced compared to [Table 6-2](#) in case there is no need to push the device at its limits, or when avoiding to use specific frequency ranges (FM radio band for example).



6.3. ARCHITECTURE RECOMMENDATIONS

This section describes the recommend implementations for the STPC interfaces. For more details, download the **Reference Schematics** from the STPC web site.

6.3.1. POWER DECOUPLING

An appropriate decoupling of the various STPC power pins is mandatory for optimum behaviour. When insufficient, the integrity of the signals is deteriorated, the stability of the system is reduced and EMC is increased.

6.3.1.1. PLL decoupling

This is the most important as the STPC clocks are generated from a single 14MHz stage using multiple PLLs which are highly sensitive analog cells. The frequencies to filter are the 25-50 KHZ range which correspond to the internal loop bandwidth of the PLL and the 10 to 100 MHz frequency of the output. PLL power pins can be tied together to simplify the board layout.

Figure 6-2. PLL decoupling

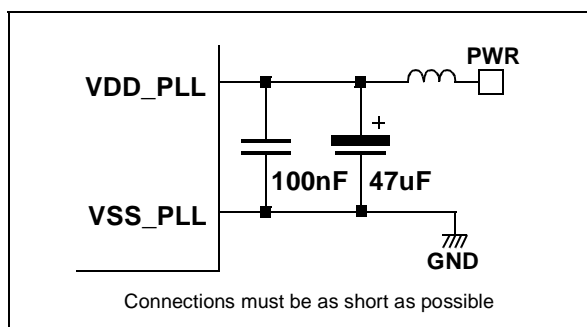
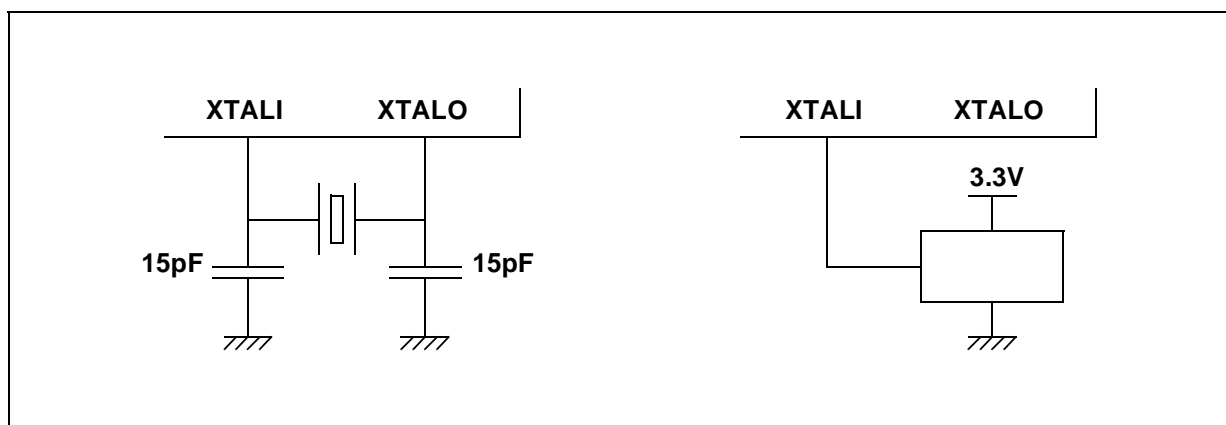


Figure 6-3. 14.31818 MHz stage



6.3.1.2. Decoupling of 3.3V and Vcore

A power plane for each of these supplies with one decoupling capacitance for each power pin is the minimum. The use of multiple capacitances with values in decade is the best (for example: 10pF, 1nF, 100nF, 10uF), the smallest value, the closest to the power pin. Connecting the various digital power planes through capacitances will reduce furthermore the overall impedance and electrical noise.

6.3.2. 14MHZ OSCILLATOR STAGE

The 14.31818 MHz oscillator stage can be implemented using a quartz, which is the preferred and cheaper solution, or using an external 3.3V oscillator.

The crystal must be used in its series-cut fundamental mode and not in overtone mode. It must have an Equivalent Series Resistance (ESR, sometimes referred to as Rm) of less than 50 Ohms (typically 8 Ohms) and a shunt capacitance (Co) of less than 7 pF. The balance capacitors of 16 pF must be added, one connected to each pin, as described in Figure 6-3.

In the event of an external oscillator providing the master clock signal to the STPC Atlas device, the LVTTTL signal should be connected to XTALI, as described in Figure 6-3.

As this clock is the reference for all the other on-chip generated clocks, it is **strongly recommended to shield this stage**, including the 2 wires going to the STPC balls, in order to reduce the jitter to the minimum and reach the optimum system stability.

## DESIGN GUIDELINES

### 6.3.3. SDRAM

The STPC provides all the signals for SDRAM control. Up to 128 MBytes of main memory are supported. All Banks must be 64 bits wide. Up to 4 memory banks are available when using 16Mbit devices. Only up to 2 banks can be connected when using 64Mbit and 128Mbit components due to the reallocation of CS2# and CS3# signals. This is described in [Table 6-4](#) and [Table 6-5](#).

Graphics memory resides at the beginning of Bank 0. Host memory begins at the top of graphics

memory and extends to the top of populated SDRAM. Bank 0 must always be populated.

[Figure 6-4](#), [Figure 6-5](#) and [Figure 6-6](#) show some typical implementations.

The purpose of the serial resistors is to reduce signal oscillation and EMI by filtering line reflections. The capacitance in [Figure 6-4](#) has a filtering effect too, while it is used for propagation delay compensation in the 2 other figures.

**Figure 6-4. One Memory Bank with 4 Chips (16-bit)**

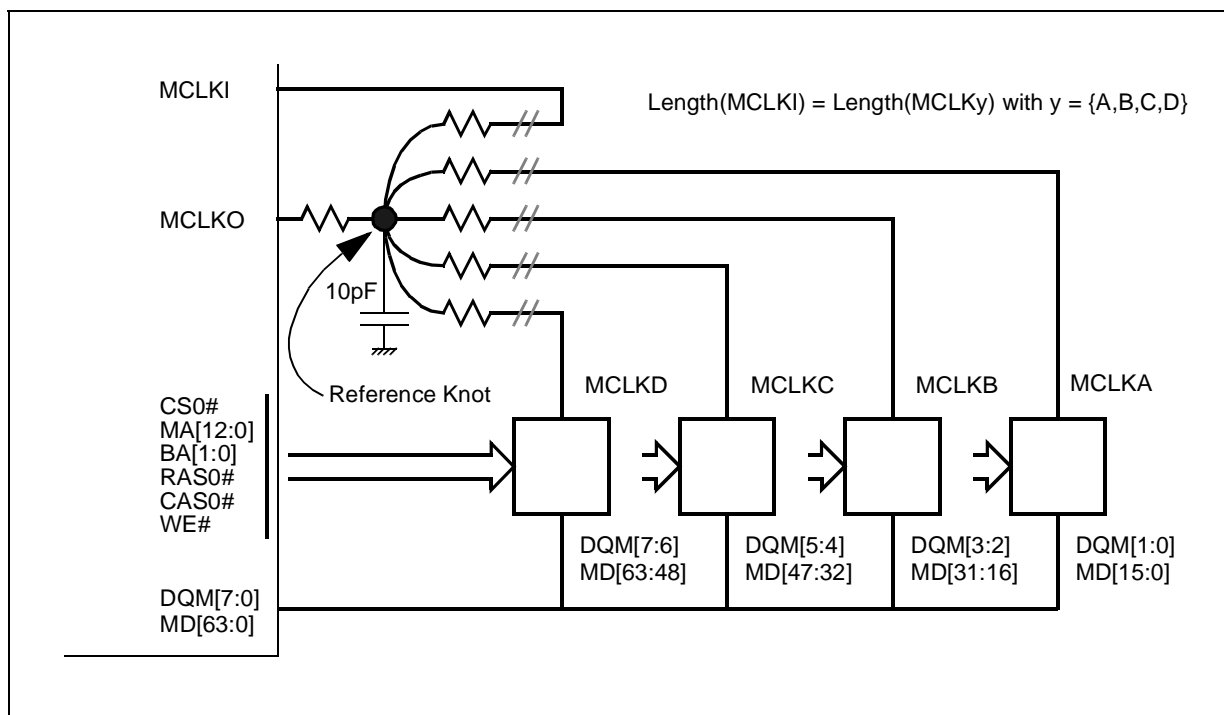


Figure 6-5. One Memory Banks with 8 Chips (8-bit)

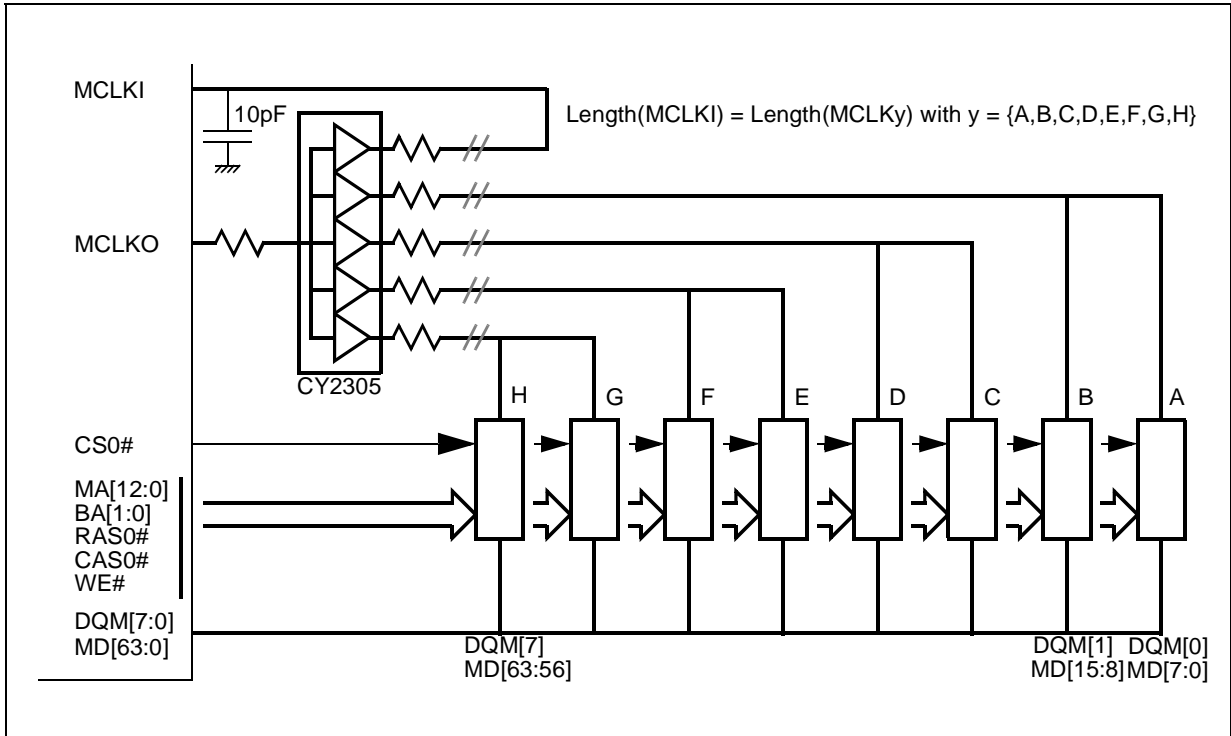
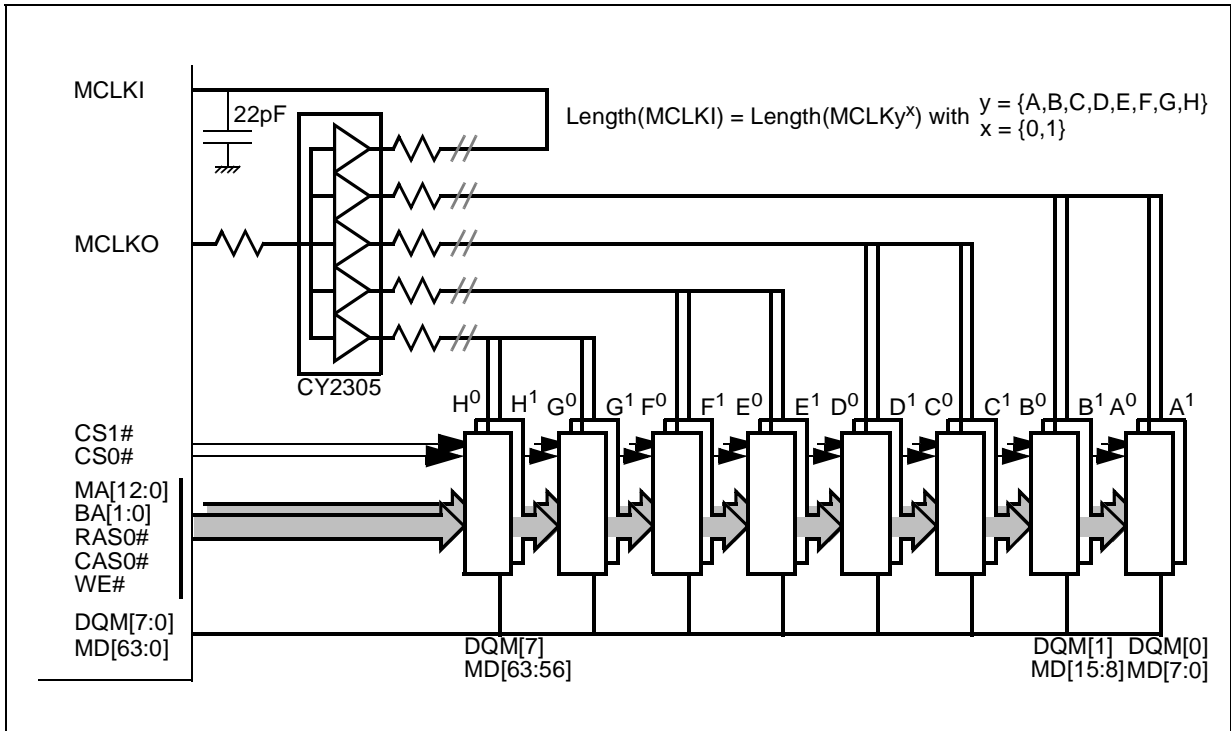


Figure 6-6. Two Memory Banks with 8 Chips (8-bit)



## DESIGN GUIDELINES

For other implementations like 32-bit SDRAM multiplexing and address mapping described in devices, refers to the SDRAM controller signal the following [Table 6-4](#) and [Table 6-5](#).

**Table 6-4. DIMM Pinout**

SDRAM Density	16 Mbit	64/128 Mbit	64/128 Mbit	STPC I/F
Internal Banks	2 Banks	2 Banks	4 Banks	
DIMM Pin Number				
...	MA[10:0]	MA[10:0]	MA[10:0]	MA[10:0]
123	-	MA11	MA11	CS2# (MA11)
126	-	MA12	-	CS3# (MA12)
39	-	-	BA1 (MA12)	CS3# (BA1)
122	BA0 (MA11)	BA0 (MA13)	BA0 (MA13)	BA0

**Table 6-5. Address Mapping**

Address Mapping: 16 Mbit - 2 internal banks														
STPC I/F	BA0			MA10	MA9	MA8	MA7	MA6	MA5	MA4	MA3	MA2	MA1	MA0
RAS Address	A11			A22	A21	A2	A19	A18	A17	A16	A15	A14	A13	A12
CAS Address	A11			0	A24	A23	A10	A9	A8	A7	A6	A5	A4	A3
Address Mapping: 64/128 Mbit - 2 internal banks														
STPC I/F	BA0	MA12	MA11	MA10	MA9	MA8	MA7	MA6	MA5	MA4	MA3	MA2	MA1	MA0
RAS Address	A11	A24	A23	A22	A21	A20	A19	A18	A17	A16	A15	A14	A13	A12
CAS Address	A11	0	0	0	A26	A25	A10	A9	A8	A7	A6	A5	A4	A3
Address Mapping: 64/128 Mbit - 4 internal banks														
STPC I/F	BA0	BA1	MA11	MA10	MA9	MA8	MA7	MA6	MA5	MA4	MA3	MA2	MA1	MA0
RAS Address	A11	A12	A24	A23	A22	A21	A20	A19	A18	A17	A16	A15	A14	A13
CAS Address	A11	A12	0	0	A26	A25	A10	A9	A8	A7	A6	A5	A4	A3

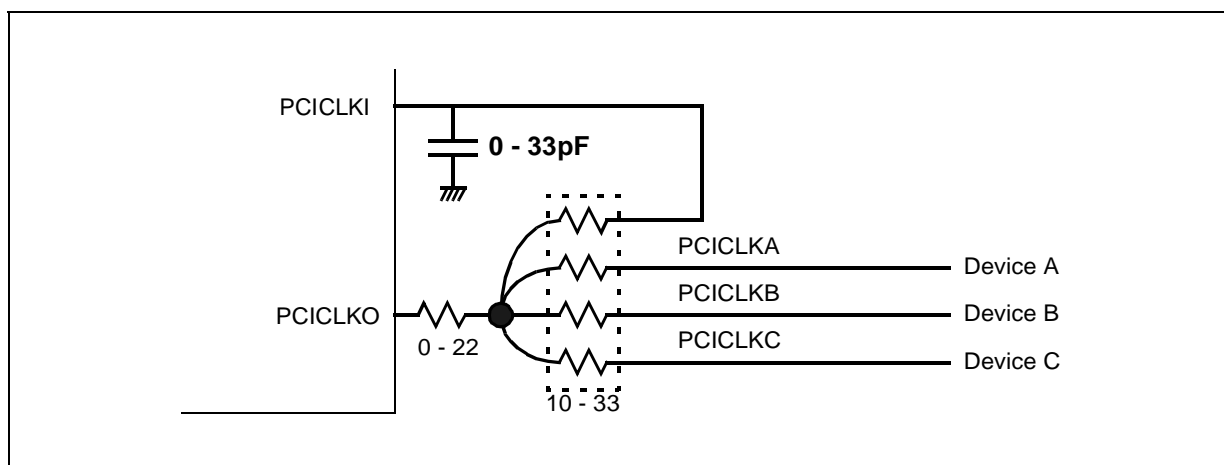
### 6.3.4. PCI BUS

The PCI bus is always active and the following control signals must be pulled-up to 3.3V or 5V through 2K2 resistors even if this bus is not connected to an external device: FRAME#, TRDY#, IRDY#, STOP#, DEVSEL#, LOCK#, SERR#, PCI\_REQ#[2:0].

PCI\_CLKO must be connected to PCI\_CLKI through a 10 to 33 Ohms resistor. [Figure 6-7](#) shows a typical implementation.

For more information on layout constraints, go to the **place and route recommendations** section.

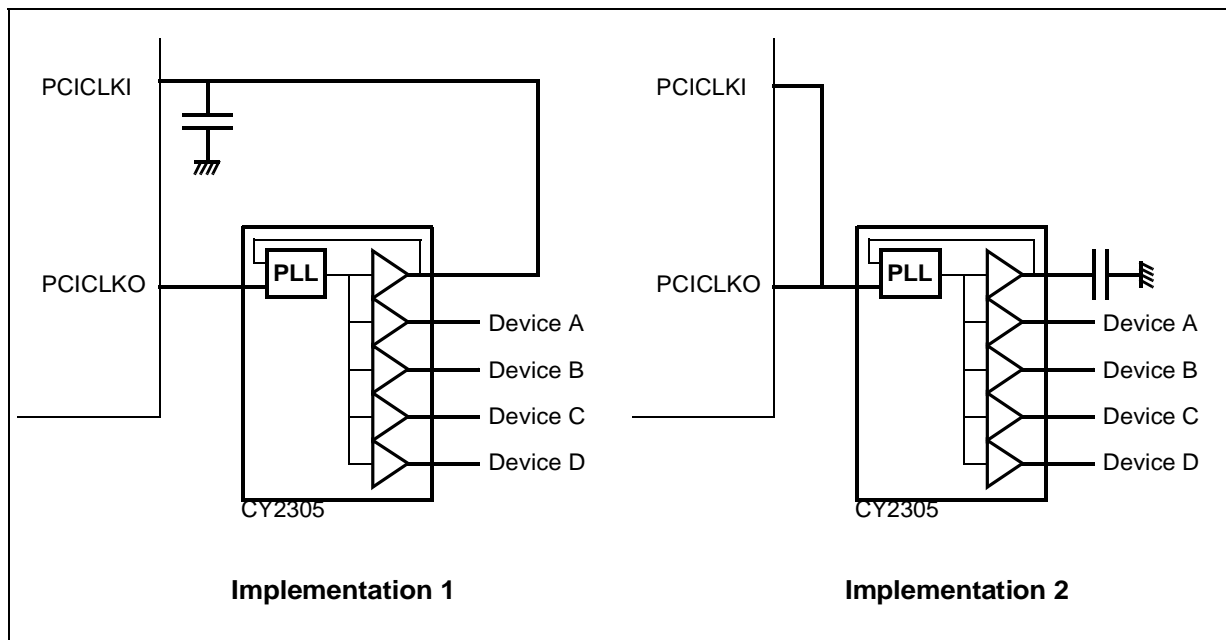
**Figure 6-7. Typical PCI clock routing**



In the case of higher clock load it is recommended to use a zero-delay clock buffer as described in [Figure 6-8](#). This approach is also recommended

when implementing the delay on PCICLK\_I according to the PCI section of the **Electrical Specifications** chapter.

**Figure 6-8. PCI clock routing with zero-delay clock buffer**



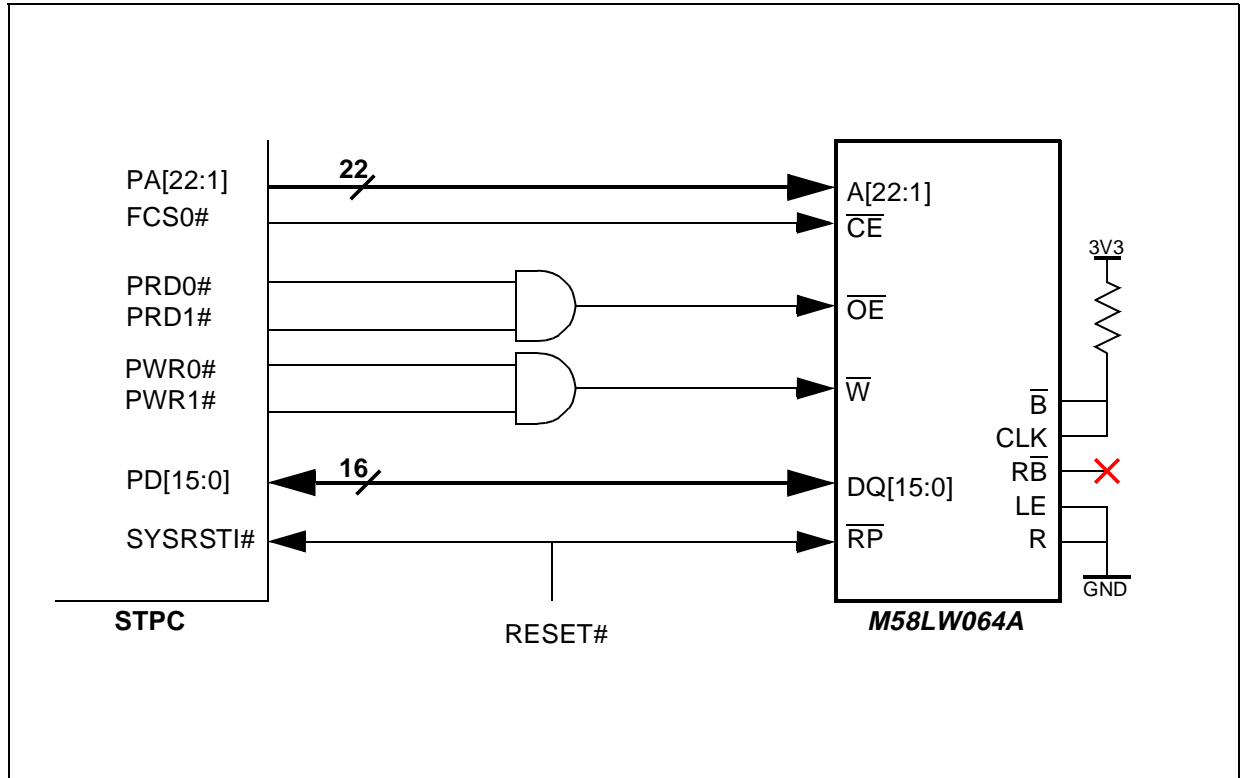
## DESIGN GUIDELINES

### 6.3.5. LOCAL BUS

The local bus has all the signals to connect flash devices or I/O devices with the minimum glue logic.

Figure 6-9 describes how to connect a 16-bit boot flash (the corresponding strap options must be set accordingly).

Figure 6-9. Typical 16-bit boot flash implementation

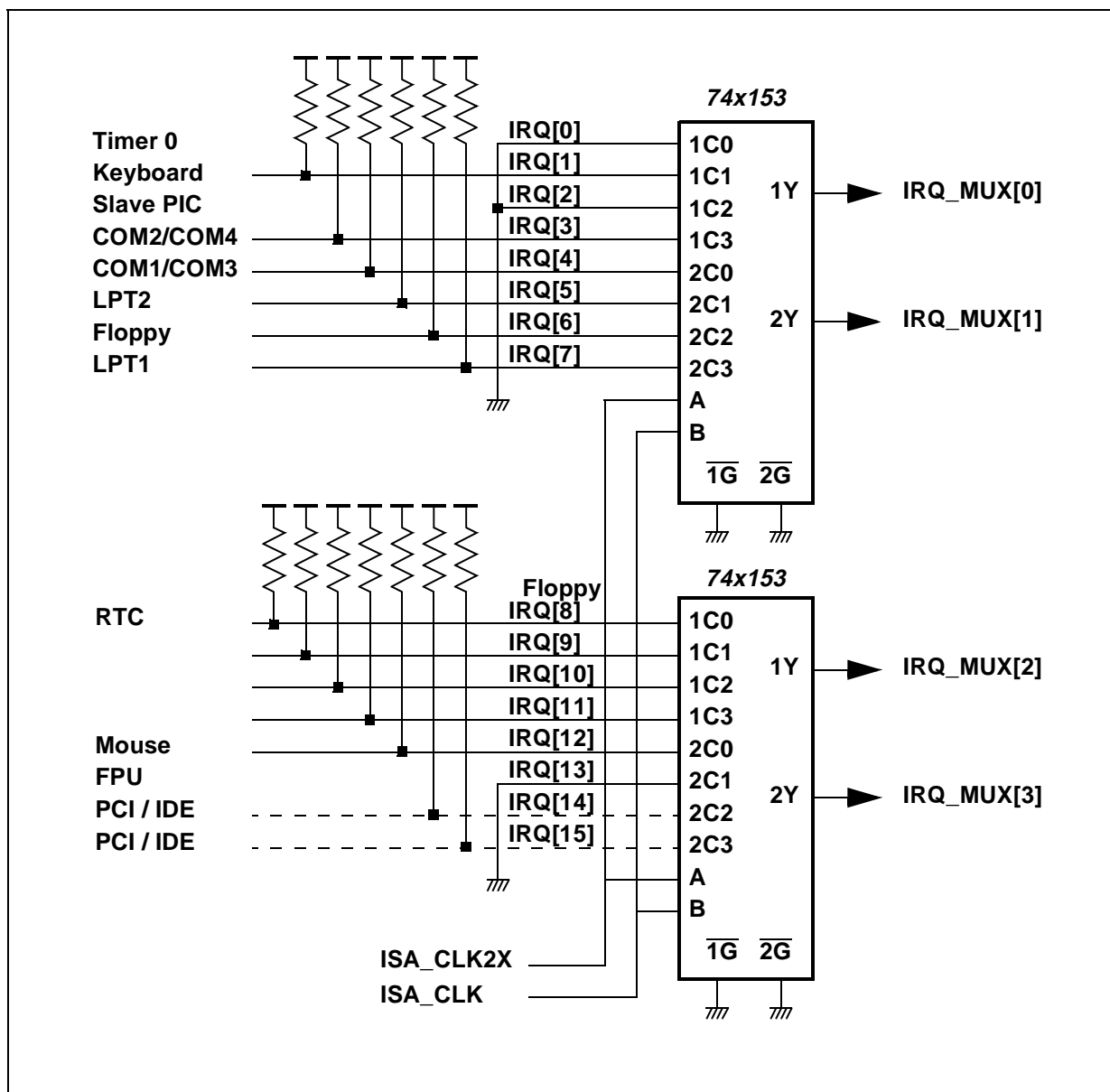


6.3.6. IPC

Most of the IPC signals are multiplexed: Interrupt inputs, DMA Request inputs, DMA Acknowledge outputs. The figure below describes a complete implementation of the IRQ[15:0] time-multiplexing.

When an interrupt line is used internally, the corresponding input can be grounded. In most of the embedded designs, only few interrupts lines are necessary and the glue logic can be simplified.

Figure 6-10. Typical IRQ multiplexing



When the interface is integrated into the STPC, the corresponding interrupt line can be grounded as it is connected internally.

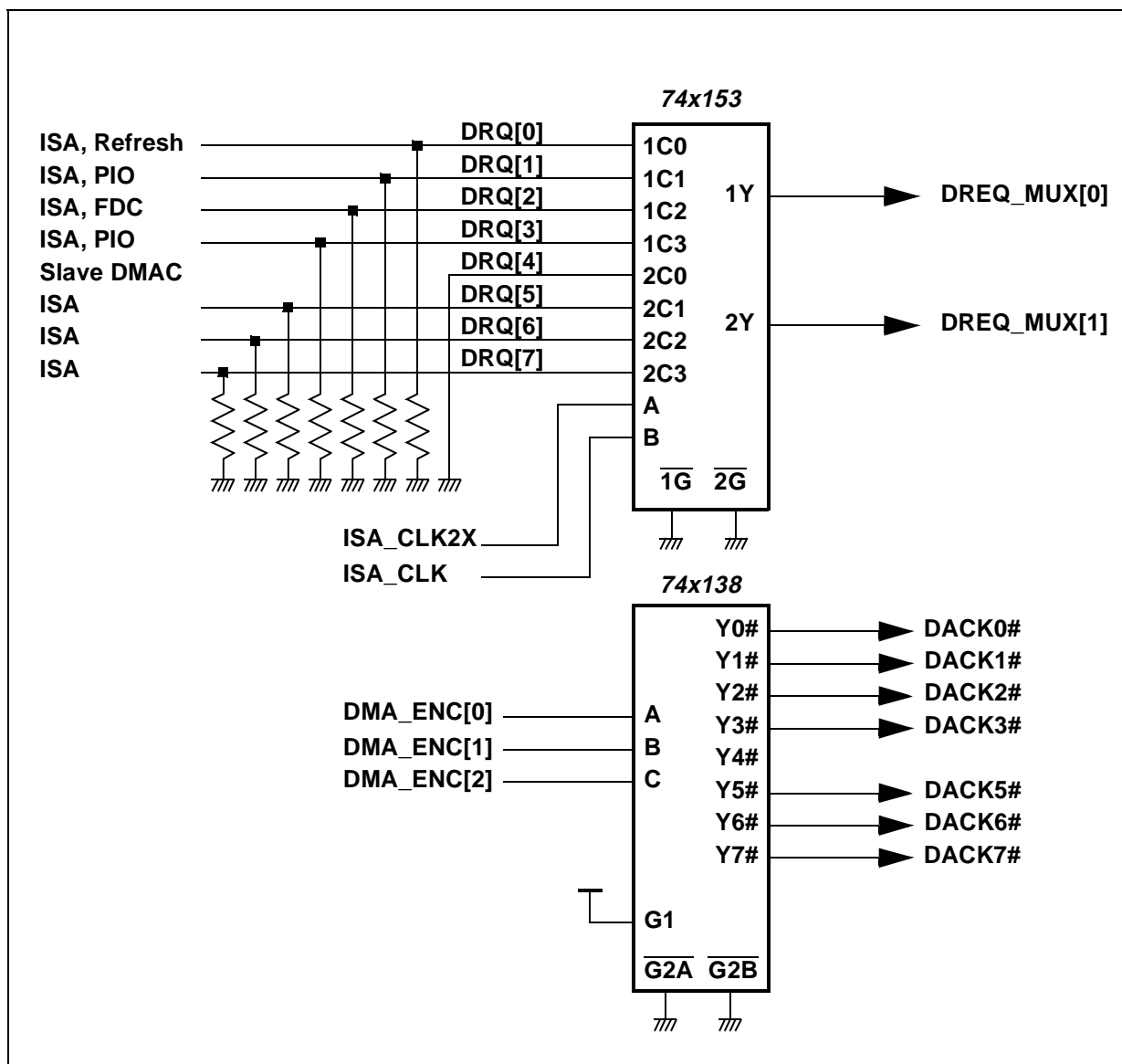
For example, if the integrated IDE controller is activated, the IRQ[14] and IRQ[15] inputs can be grounded.

## DESIGN GUIDELINES

The figure below describes a complete implementation of the external glue logic for DMA Request time-multiplexing and DMA Acknowledge demultiplexing. Like for the interrupt lines, this

logic can be simplified when only few DMA channels are used in the application. This glue logic is not needed in Local bus mode as it does not support DMA transfers.

**Figure 6-11. Typical DMA multiplexing and demultiplexing**



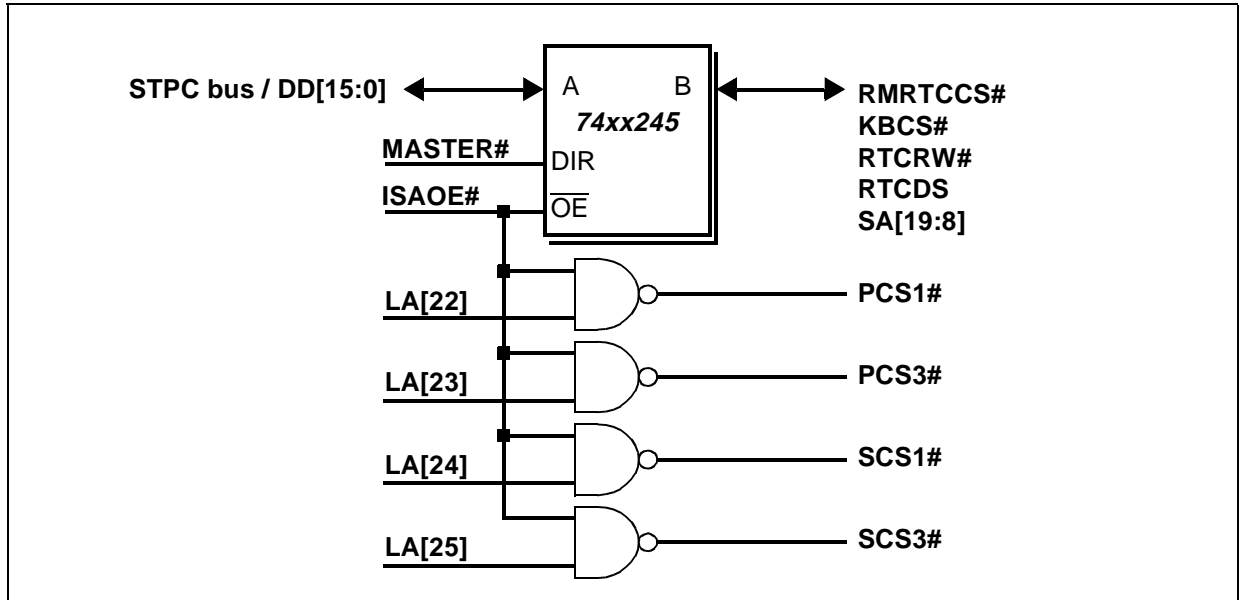


6.3.7. IDE / ISA DYNAMIC DEMULTIPLEXING

Some of the ISA bus signals are dynamically multiplexed to optimize the pin count. [Figure 6-12](#)

describes how to implement the external glue logic to demultiplex the IDE and ISA interfaces. In Local Bus mode the two buffers are not needed and the NAND gates can be simplified to inverters.

Figure 6-12. Typical IDE / ISA Demultiplexing

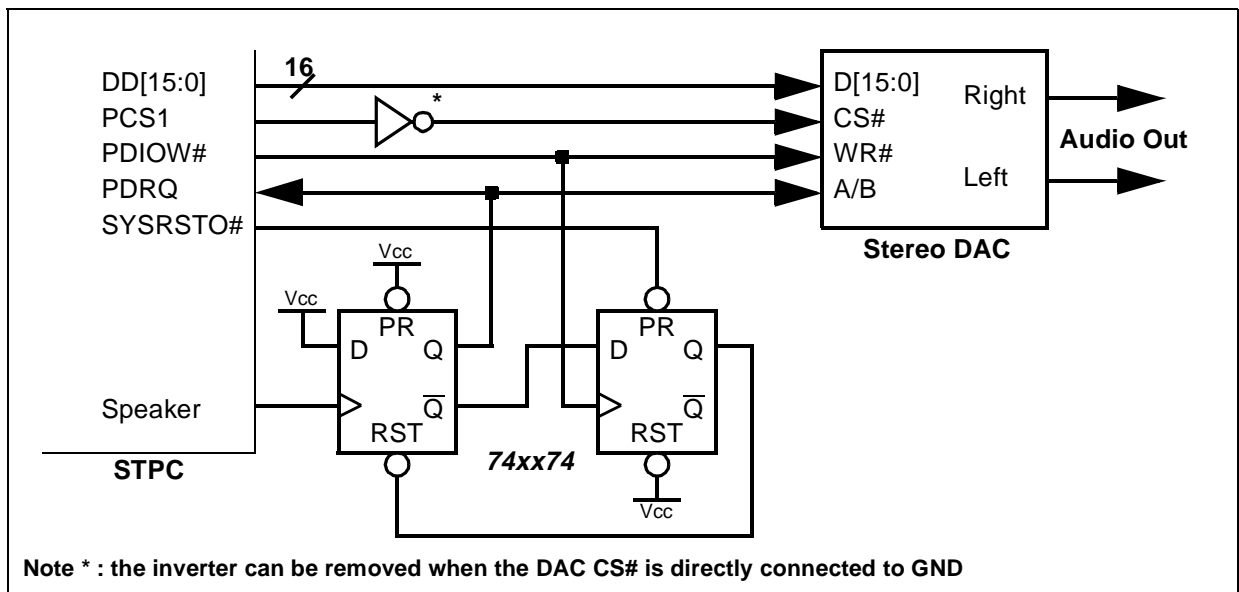


6.3.8. BASIC AUDIO USING IDE INTERFACE

When the application requires only basic audio capabilities, an audio DAC on the IDE interface can avoid using a PCI-based audio device. This

low cost solution is not CPU consuming thanks to the DMA controller implemented in the IDE controller and can generate 16-bit stereo sound. The clock speed is programmable when using the speaker output.

Figure 6-13. Basic audio on IDE



## DESIGN GUIDELINES

### 6.3.9. VGA INTERFACE

The STPC integrates a voltage reference and video buffers. The amount of external devices is then limited to the minimum as described in the [Figure 6-14](#).

All the resistors and capacitors have to be as close as possible to the STPC while the circuit protector DALC112S1 must be close to the VGA connector.

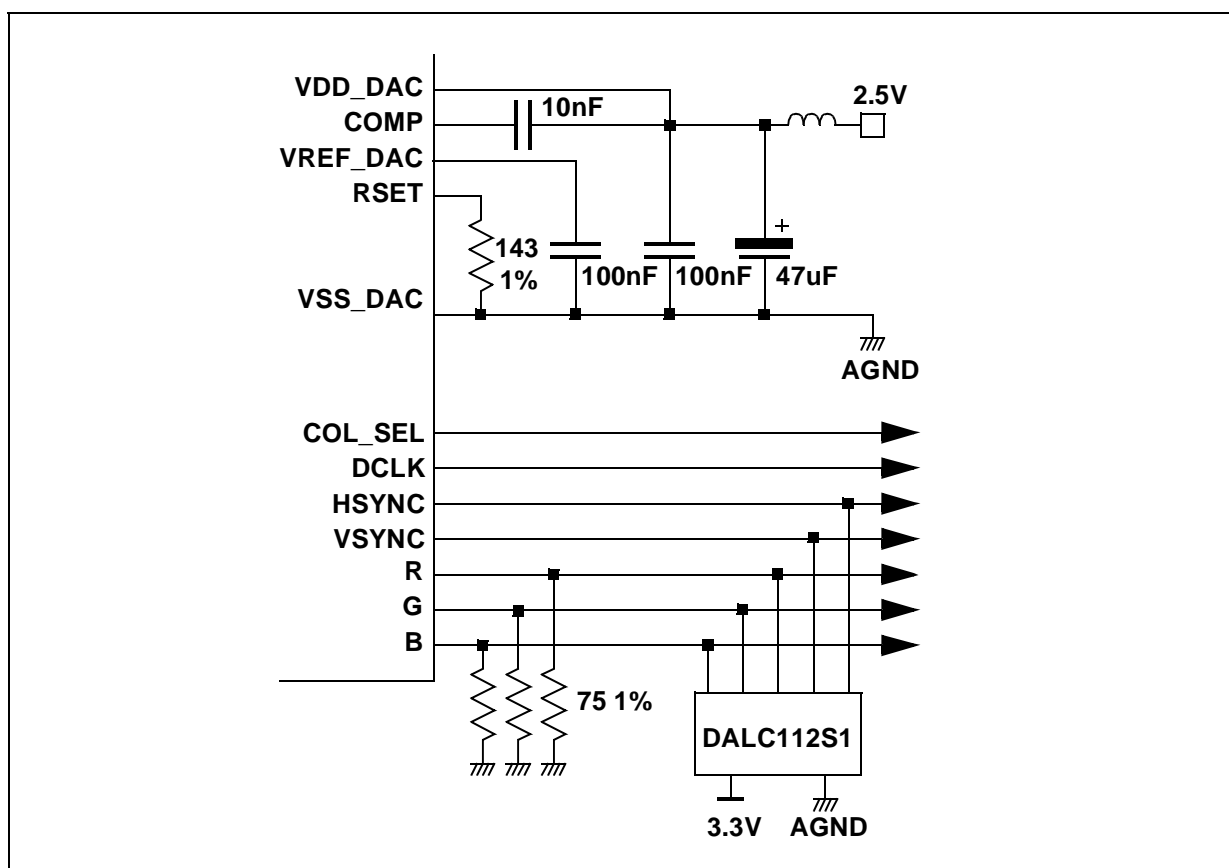
The DDC[1:0] lines, not represented here, have also to be protected when they are used on the VGA connector.

COL\_SEL can be used when implementing the Picture-In-Picture function outside the STPC, for example when multiplexing an analog video source. In that case, the CRTIC of the STPC has to be genlocked to this analog source.

DCLK is usually used by the TFT display which has RGB inputs in order to synchronise the picture at the level of the pixel.

When the VGA interface is not needed, the signals R, G, B, HSYNC, VSYNC, COMP, RSET can be left unconnected, VSS\_DAC and VDD\_DAC must then be connected to GND.

**Figure 6-14. Typical VGA implementation**



6.3.10. TV INTERFACE

The STPC integrates a voltage reference and video DACs. The amount of external devices is then limited to video buffers as described in the Figure 6-15.

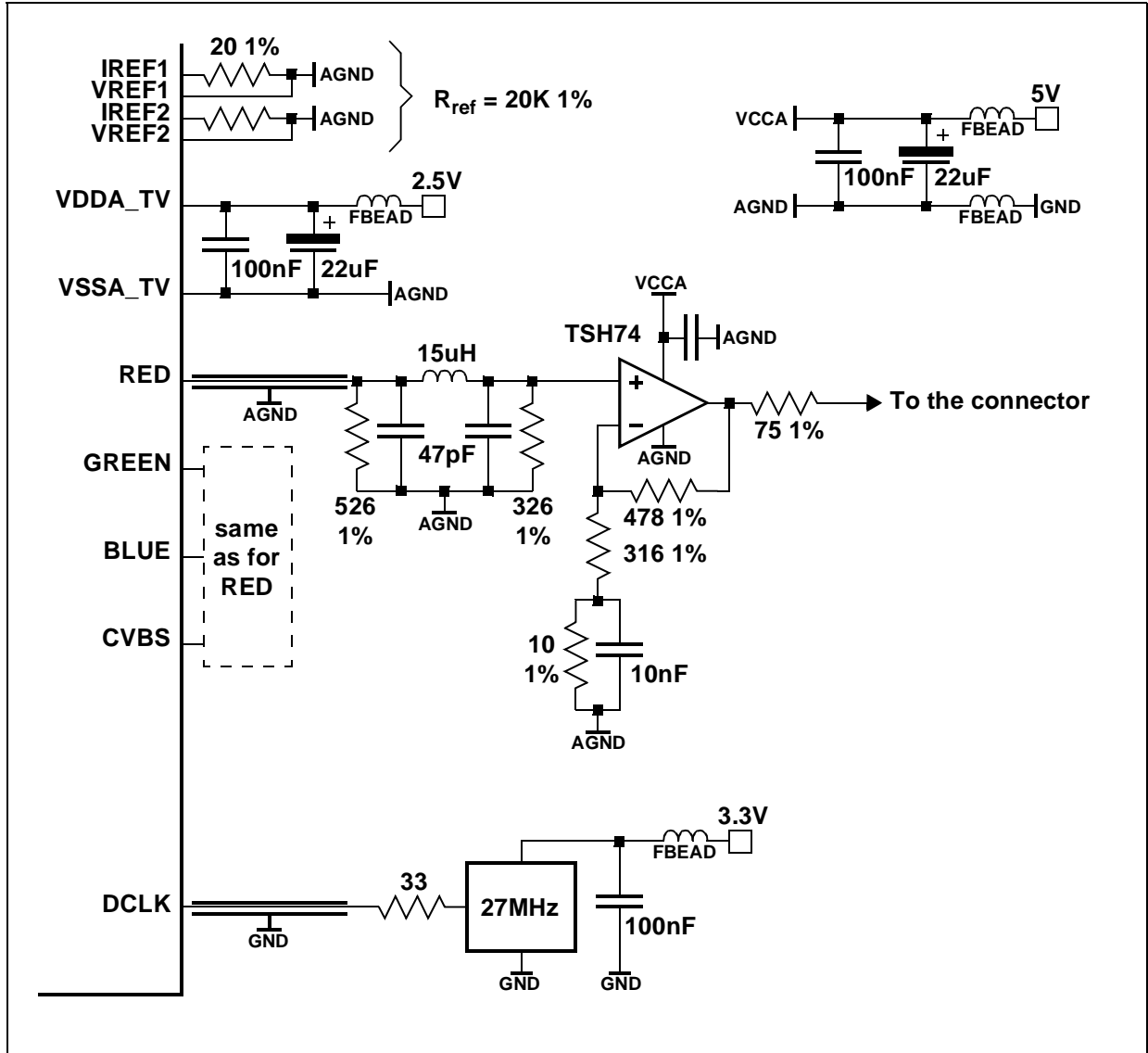
The connection from IREFx and VREFx up to the 20 ohms resistors must be as short as possible. The constraint is the same for the connection from

VDDA\_TV and VSSA\_TV up to the decoupling capacitances.

The resistors and capacitors of the amplifier stage have to be as close as possible to the video buffer.

When the TV interface is not needed, the signals RED, GREEN, BLUE, CVBS, IREF1, IREF2 can be left unconnected, VDDA\_TV must then be connected to GND.

Figure 6-15. Typical VGA implementation



R,G,B,CVBS outputs:

- .  $I_{out_{max}} = 80.704 / R_{ref} < 5mA$
- .  $R_{load} = 274 \text{ ohms}$
- .  $V_{out} = \{10\text{-bit code}\} \times R_{load} \times 0.079 / R_{ref}$

Fine tuning of the maximum output level must be done using the gain control registers 0x11 to 0x13 of the integrated Digital Encoder (write the value 0x0B for a gain of 109%).

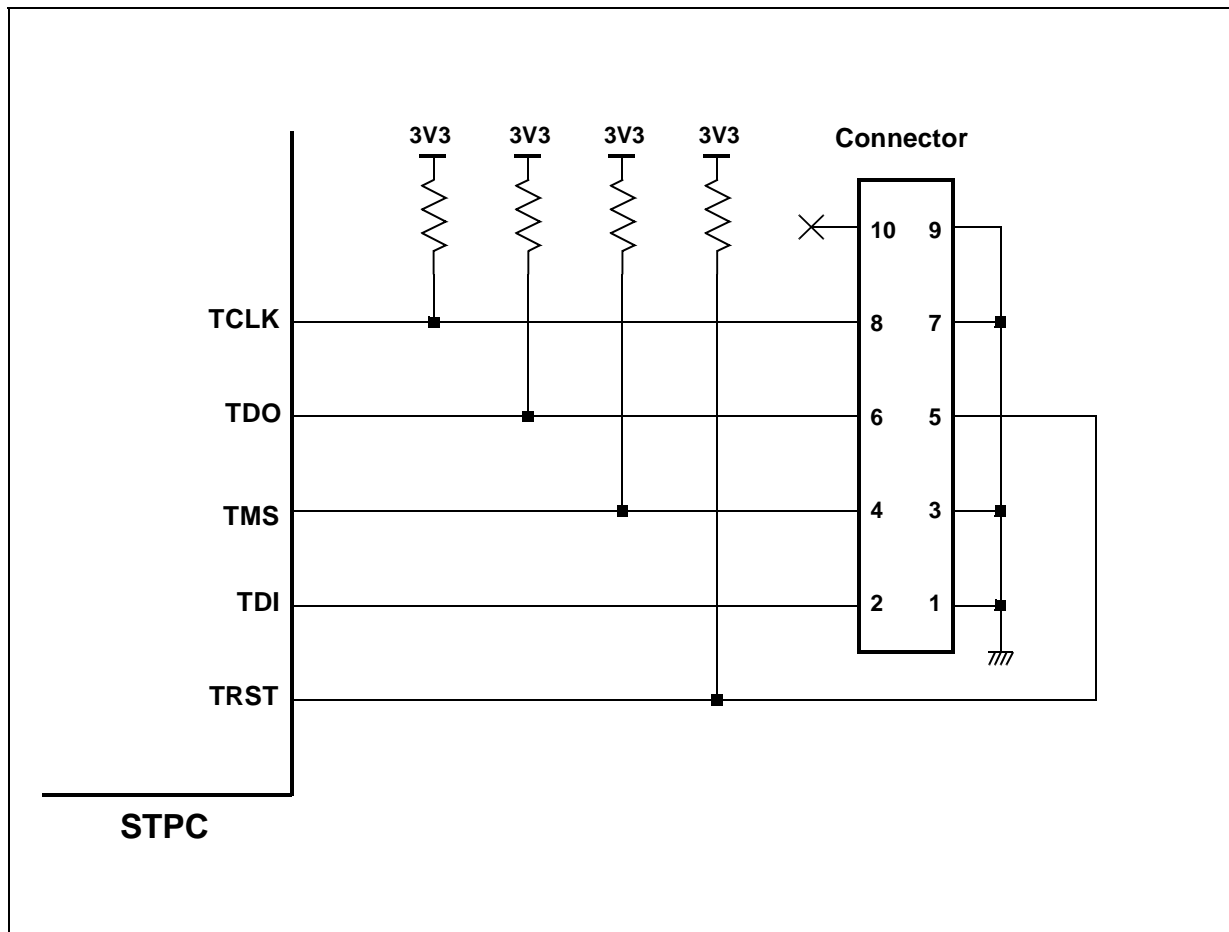
## DESIGN GUIDELINES

### 6.3.11. JTAG INTERFACE

The STPC integrates a JTAG interface for scan-chain and on-board testing. The only external

device needed are the pull up resistors. [Figure 6-16](#) describes a typical implementation using these devices.

**Figure 6-16. Typical JTAG implementation**



## 6.4. PLACE AND ROUTE RECOMMENDATIONS

### 6.4.1. GENERAL RECOMMENDATIONS

Some STPC Interfaces run at high speed and need to be carefully routed or even shielded like:

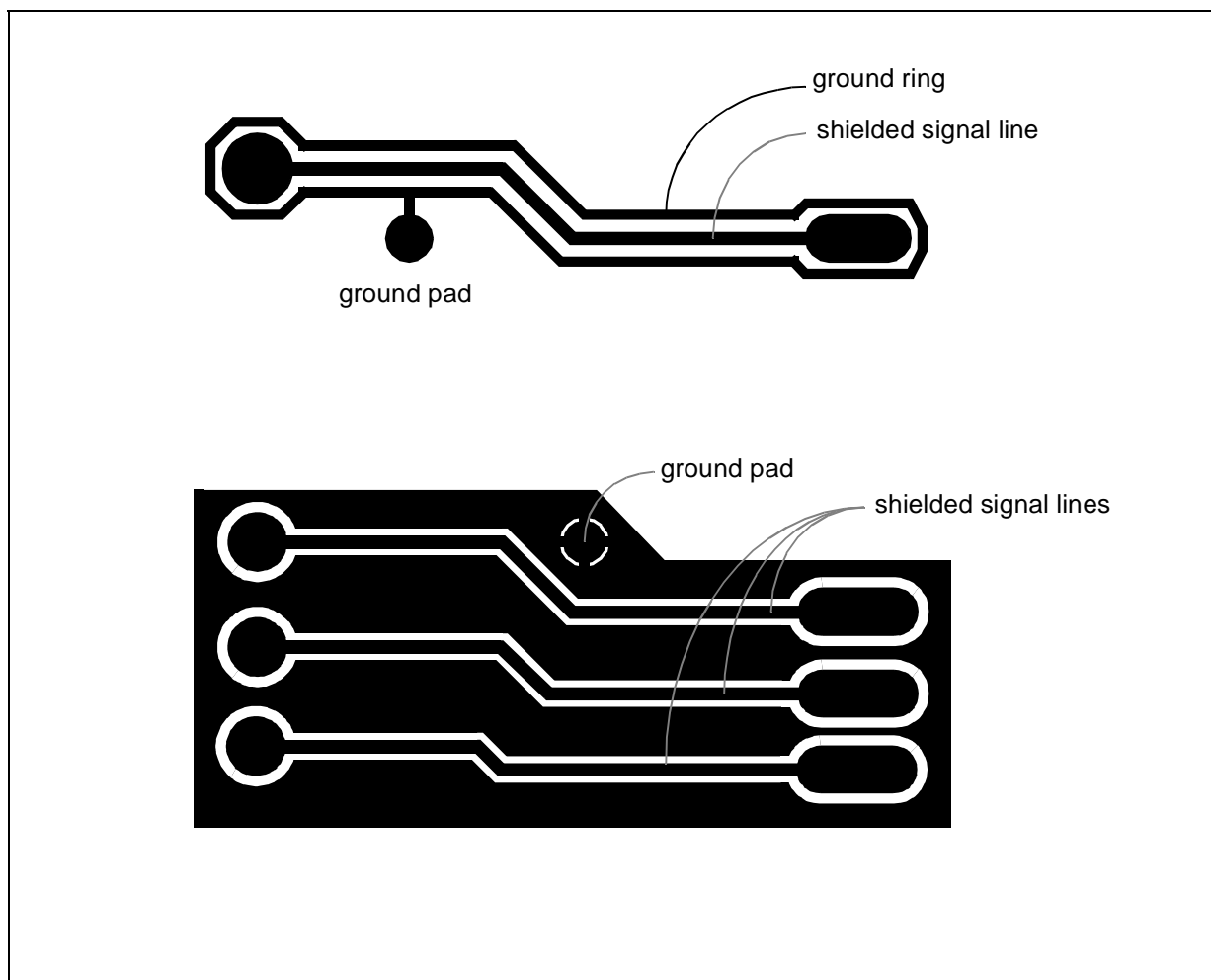
- 1) Memory Interface
- 2) PCI bus
- 3) Graphics and video interfaces
- 4) 14 MHz oscillator stage

All clock signals have to be routed first and shielded for speeds of 27MHz or higher. The high speed signals follow the same constraints, as for the memory and PCI control signals.

The next interfaces to be routed are Memory, PCI, and Video/graphics.

All the analog noise-sensitive signals have to be routed in a separate area and hence can be routed independently.

Figure 6-17. Shielding signals



### 6.4.2. PLL DEFINITION AND IMPLIMENTATION

PLLs are analog cells which supply the internal STPC Clocks. To get the cleanest clock, the jitter on the power supply must be reduced as much as possible. This will result in a more stable system.

Each of the integrated PLL has a dedicated power pin so a single power plane for all of these PLLs,

or one wire for each, or any solution in between which help the layout of the board can be used.

Powering these pins with one Ferrite + capacitances is enough. We recommend at least 2 capacitances: one 'big' (few uF) for power storage, and one or 2 smalls (100nF + 1nF) for noise filtering.

## DESIGN GUIDELINES

### 6.4.3. MEMORY INTERFACE

#### 6.4.3.1. Introduction

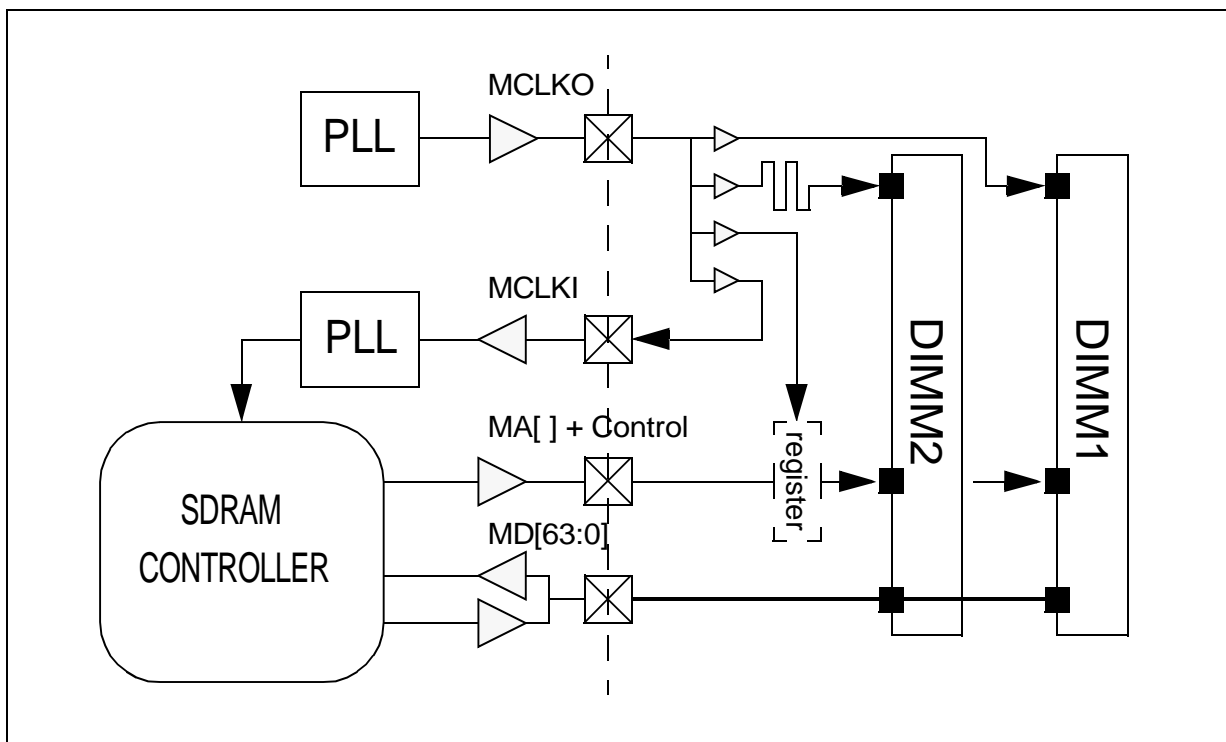
In order to achieve SDRAM memory interfaces which work at clock frequencies of 100 MHz and above, careful consideration has to be given to the timing of the interface with all the various electrical and physical constraints taken into consideration. The guidelines described below are related to SDRAM components on DIMM modules. For applications where the memories are directly soldered to the motherboard, the PCB should be laid out such that the trace lengths fit within the constraints shown here. The traces could be slightly shorter since the extra routing on the

DIMM PCB is no longer present but it is then up to the user to verify the timings.

#### 6.4.3.2. SDRAM Clocking Scheme

The SDRAM Clocking Scheme deserves a special mention here. Basically the memory clock is generated on-chip through a PLL and goes directly to the MCLKO output pin of the STPC. The nominal frequency is 100 MHz. Because of the high load presented to the MCLK on the board by the DIMMs it is recommended to rebuffer the MCLKO signal on the board and balance the skew to the clock ports of the different DIMMs and the MCLKI input pin of STPC.

Figure 6-18. Clock Scheme



#### 6.4.3.3. Board Layout Issues

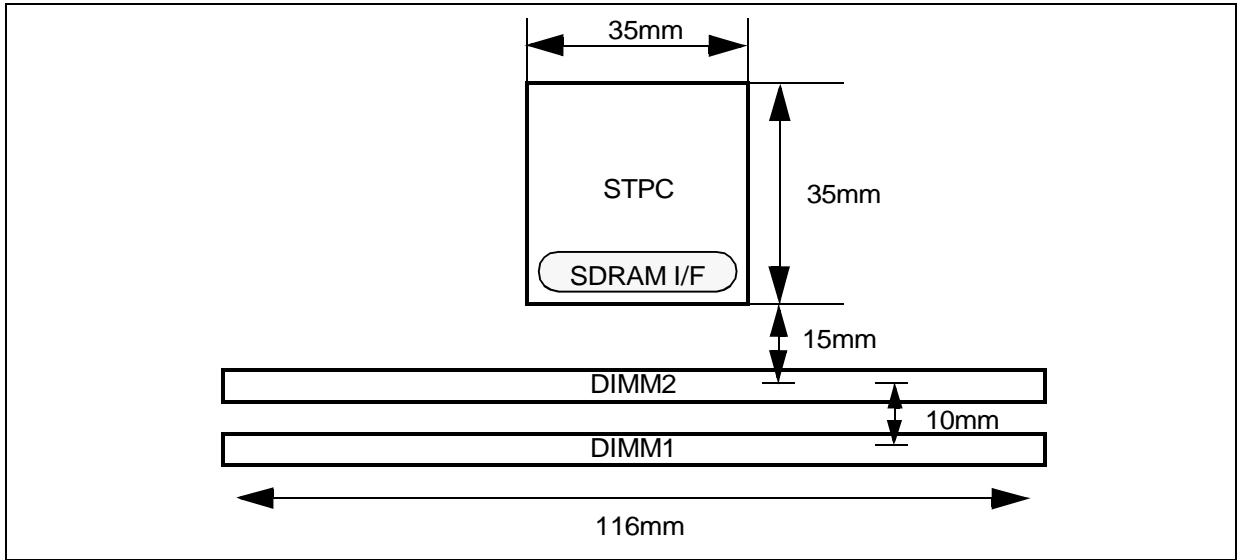
The physical layout of the motherboard PCB assumed in this presentation is as shown in [Figure 6-19](#). Because all of the memory interface signal balls are located in the same region of the STPC device, it is possible to orientate the device to reduce the trace lengths. The worst case routing length to the DIMM1 is estimated to be 100 mm.

Solid power and ground planes are a must in order to provide good return paths for the signals and to reduce EMI and noise. Also there should be ample high frequency decoupling between the power

and ground planes to provide a low impedance path between the planes for the return paths for signal routings which change layers. If possible, the traces should be routed adjacent to the same power or ground plane for the length of the trace.

For the SDRAM interface, the most critical signal is the clock. Any skew between the clocks at the SDRAM components and the memory controller will impact the timing budget. In order to get well matched clocks at all components it is recommended that all the DIMM clock pins, STPC

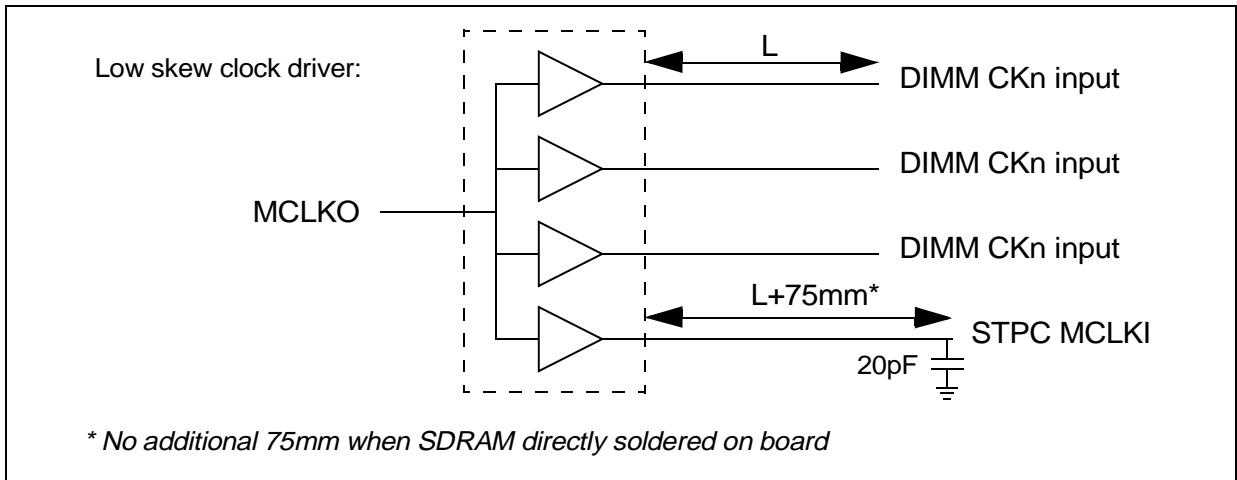
Figure 6-19. DIMM placement



memory clock input (MCLKI) and any other component using the memory clock are individually driven from a low skew clock driver with matched routing lengths. In other words, all

clock line lengths that go from the buffer to the memory chips (MCLKx) and from the buffer to the STPC (MCLKI) must be identical. This is shown in [Figure 6-20](#).

Figure 6-20. Clock Routing



The maximum skew between pins for this part is 250ps. The important factors for the clock buffer are a consistent drive strength and low skew between the outputs. The delay through the buffer is not important so it does not have to be a zero delay PLL type buffer. The trace lengths from the clock driver to the DIMM CKn pins should be matched exactly. Since the propagation speed can vary between PCB layers, the clocks should be routed in a consistent way. The routing to the STPC memory input should be longer by 75 mm to compensate for the extra clock routing on the

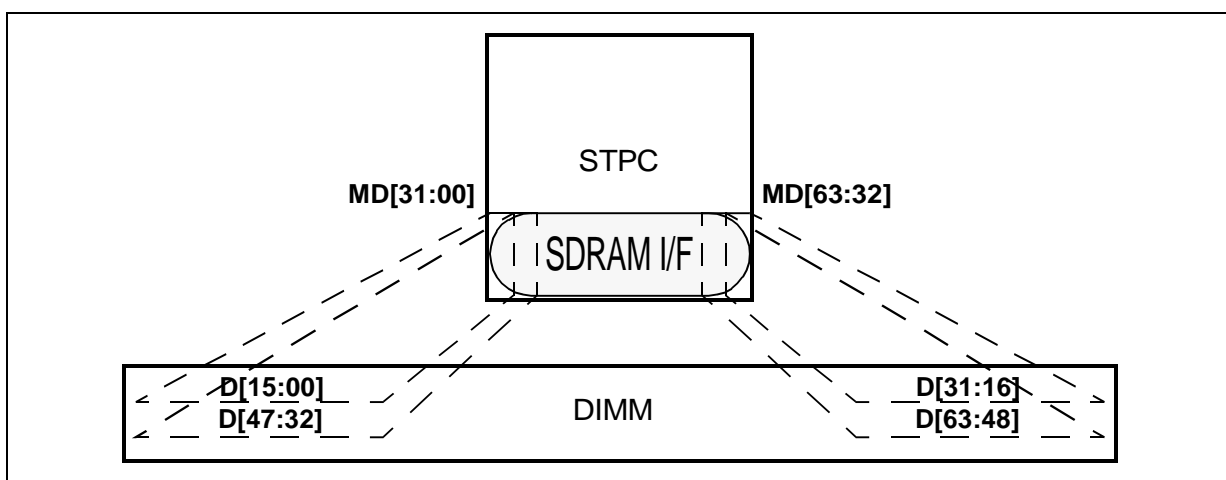
DIMM. Also a 20 pF capacitor should be placed as near as possible to the clock input of the STPC to compensate for the DIMM's higher clock load. The impedance of the trace used for the clock routing should be matched to the DIMM clock trace impedance (60-75 ohms). To minimise crosstalk the clocks should be routed with spacing to adjacent tracks of at least twice the clock trace width. For designs which use SDRAMs directly mounted on the motherboard PCB all the clock trace lengths should be matched exactly.

## DESIGN GUIDELINES

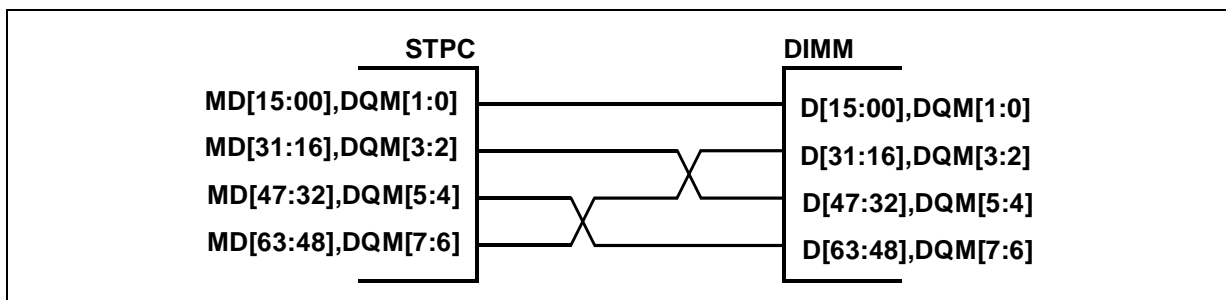
The DIMM sockets should be populated starting with the furthest DIMM from the STPC device first (DIMM1). There are two types of DIMM devices; single-row and dual-row. The dual-row devices require two chip select signals to select between the two rows. A STPC device with 4 chip select control lines could control either 4 single-row DIMMs or 2 dual-row DIMMs. When only 2 chip select control lines are activated, only two single-row DIMMs or one dual-row DIMM can be controlled.

When using DIMM modules, schematics have to be done carefully in order to avoid data buses completely crossing on the board. This has to be checked at the library level. In order to achieve the layout shown in [Figure 6-21](#), schematics have to implement the crossing described in [Figure 6-22](#). The DQM signals must be exchanged using the same order.

**Figure 6-21. Optimum Data Bus Layout for DIMM**



**Figure 6-22. Schematics for Optimum Data Bus Layout for DIMM**



### 6.4.3.4. Summary

For unbuffered DIMMs the address/control signals will be the most critical for timing. The simulations show that for these signals the best way to drive them is to use a parallel termination. For applications where speed is not so critical series termination can be used as this will save power. Using a low impedance such as 50Ω for these critical traces is recommended as it both reduces the delay and the overshoot.

The other memory interface signals will typically be not as critical as the address/control signals. Using lower impedance traces is also beneficial

for the other signals but if their timing is not as critical as the address/control signals they could use the default value. Using a lower impedance implies using wider traces which may have an impact on the routing of the board.

The layout of this interface can be validated by an electrical simulation using the IBIS model available on the STPC web site.



6.4.4. PCI INTERFACE

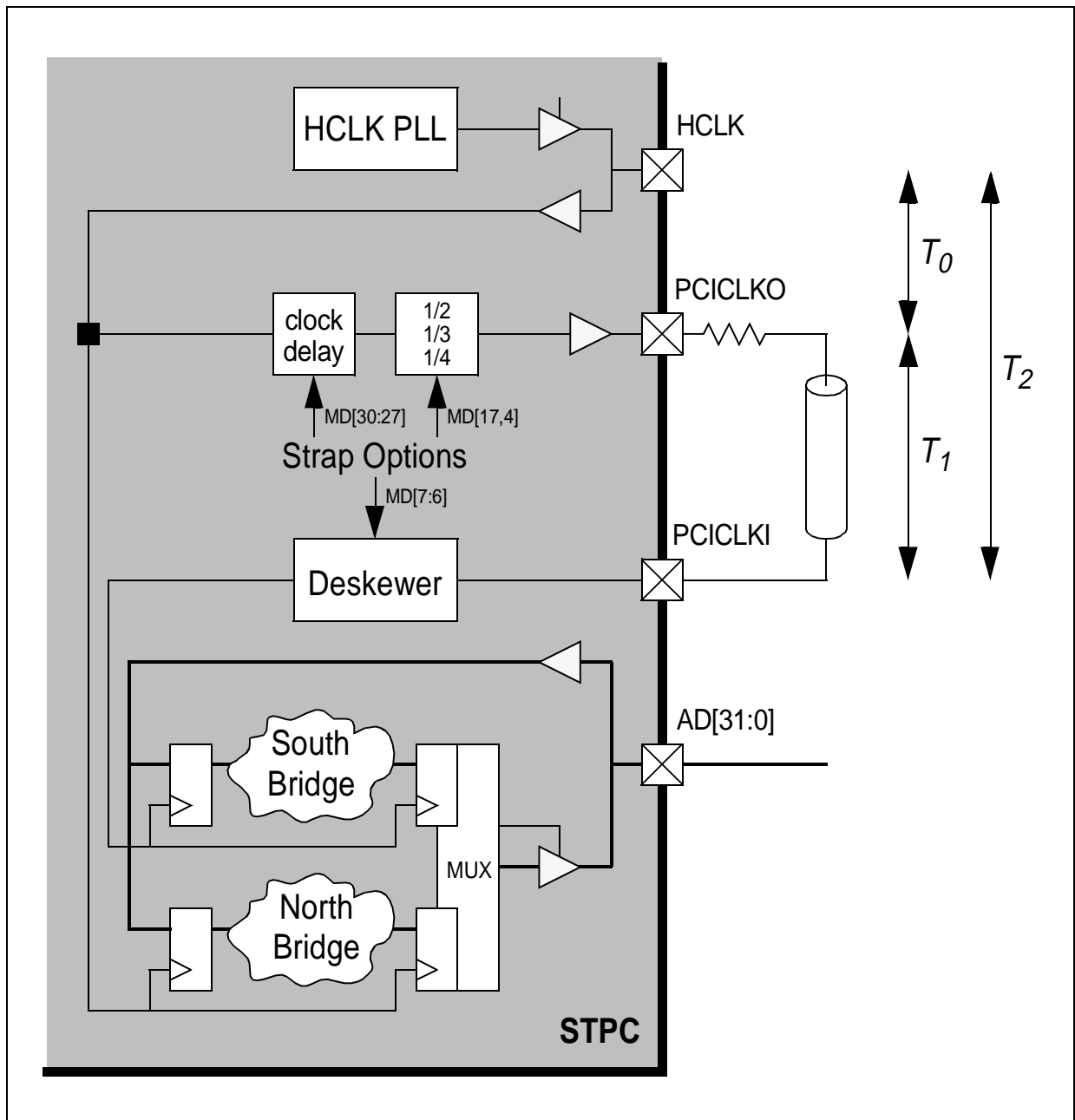
6.4.4.1. Introduction

In order to achieve a PCI interface which work at clock frequencies up to 33MHz, careful consideration has to be given to the timing of the interface with all the various electrical and physical constraints taken into consideration.

6.4.4.2. PCI Clocking Scheme

The PCI Clocking Scheme deserves a special mention here. Basically the PCI clock (PCICLK0) is generated on-chip from HCLK through a programmable delay line and a clock divider. The nominal frequency is 33MHz. This clock must be looped to PCICLK1 and goes to the internal South Bridge through a deskewer. On the contrary, the internal North Bridge is clocked by HCLK, putting some additional constraints on  $T_0$  and  $T_1$ .

Figure 6-23. Clock Scheme



## DESIGN GUIDELINES

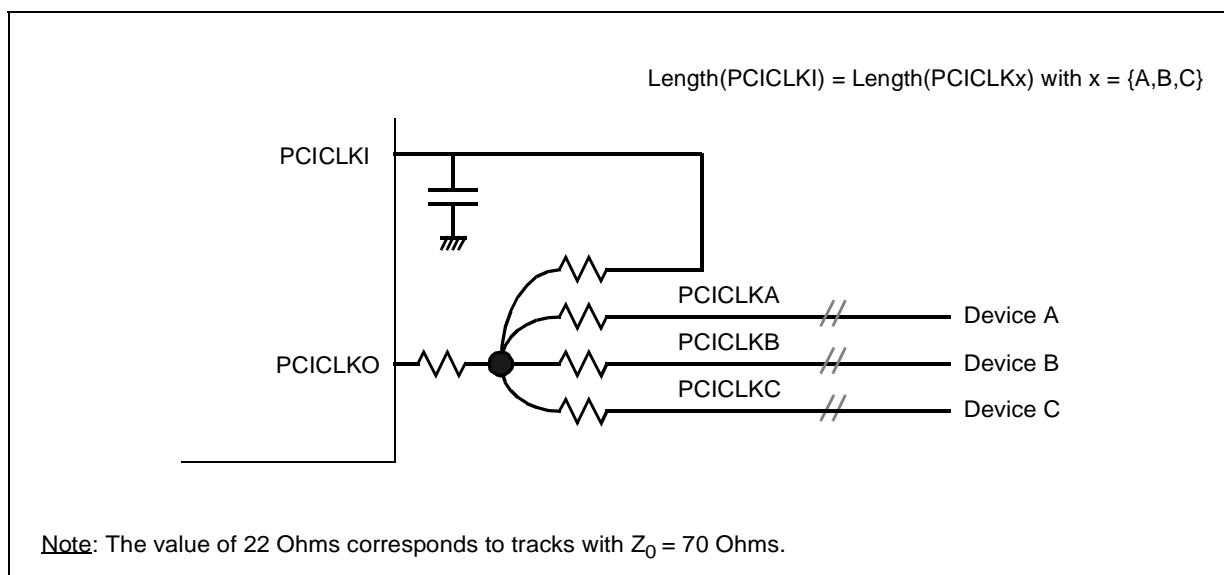
### 6.4.4.3. Board Layout Issues

The physical layout of the motherboard PCB assumed in this presentation is as shown in [Figure 6-24](#). For the PCI interface, the most critical signal is the clock. Any skew between the clocks at the PCI components and the STPC will impact the timing budget. In order to get well matched clocks at all components it is recommended that all the PCI clocks are individually driven from a serial resistance with matched routing lengths. In other

words, all clock line lengths that go from the resistor to the PCI chips (PCICLKx) must be identical.

The figure below is for PCI devices soldered on-board. In the case of a PCI slot, the wire length must be shortened by 2.5" to compensate the clock layout on the PCI board. The maximum clock skew between all devices is 2ns according to PCI specifications.

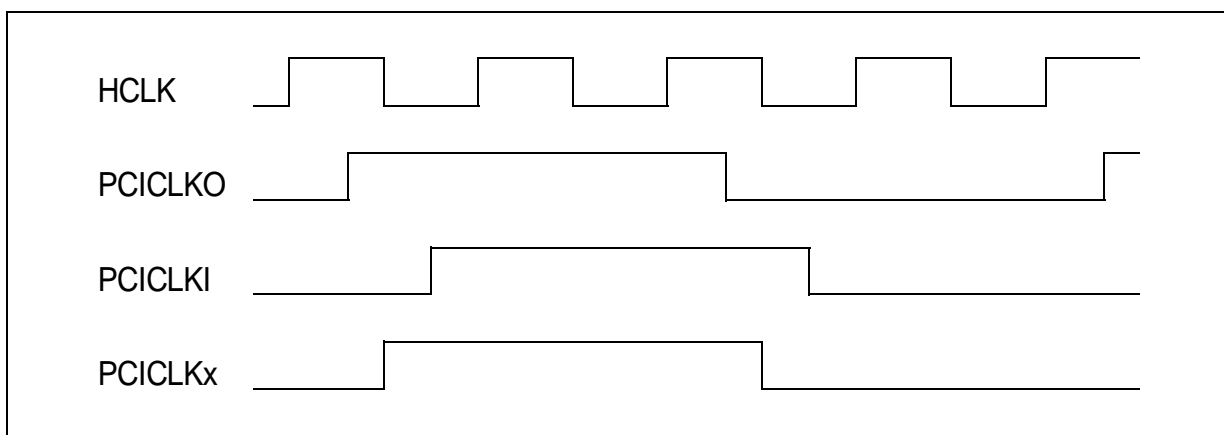
**Figure 6-24. Typical PCI clock routing**



The [Figure 6-25](#) describes a typical clock delay implementation. The exact timing constraints are

listed in the PCI section of the **Electrical Specifications** Chapter.

**Figure 6-25. Clocks relationships**



### 6.4.5. THERMAL DISSIPATION

#### 6.4.5.1. Power saving

Thermal dissipation of the STPC depends mainly on supply voltage. When the system does not need to work at the upper voltage limit, it may therefore be beneficial to reduce the voltage to the lower voltage limit, where possible. This could save a few 100's of mW.

The second area to look at is unused interfaces and functions. Depending on the application, some input signals can be grounded, and some blocks not powered or shutdown. Clock speed dynamic adjustment is also a solution that can be used along with the integrated power management unit.

#### 6.4.5.2. Thermal balls

The standard way to route thermal balls to ground layer implements only one via pad for each ball pad, connected using a 8-mil wire.

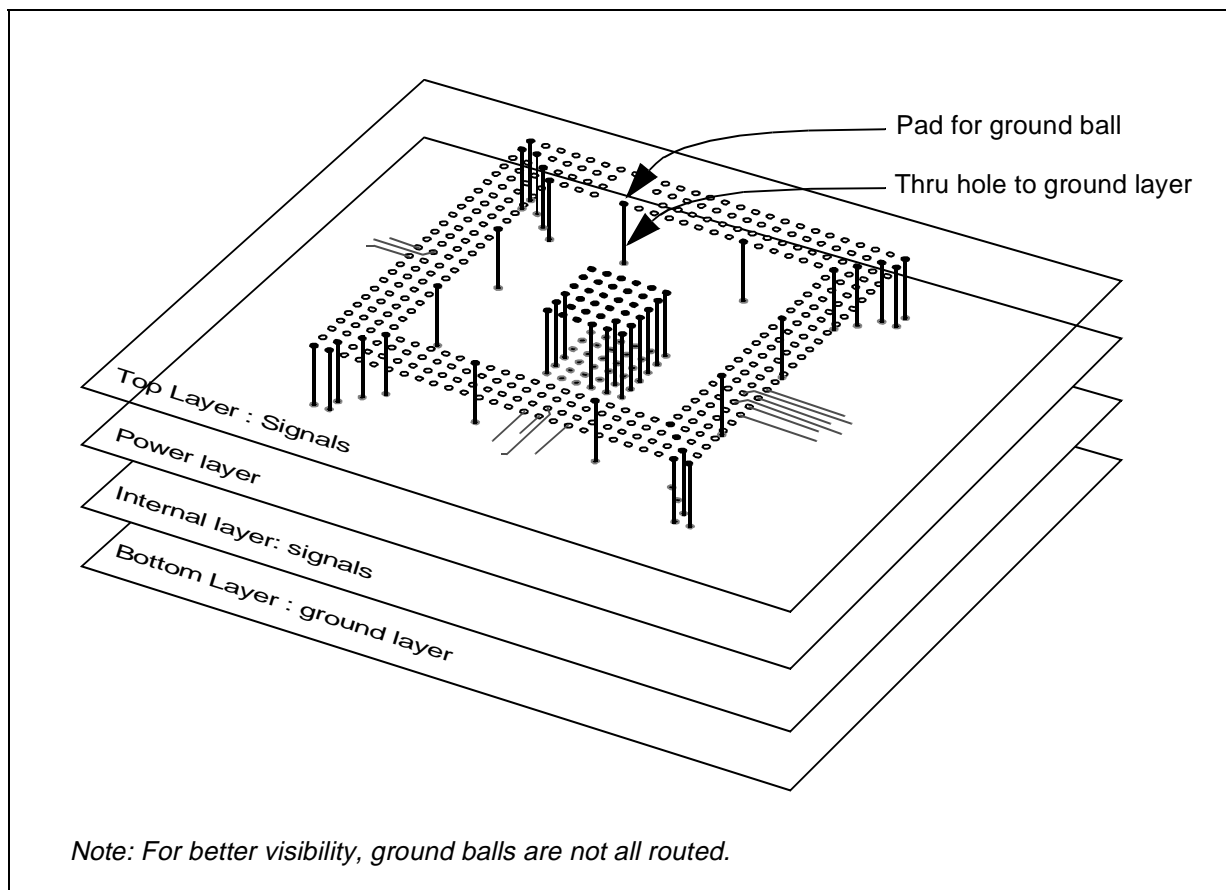
With such configuration the Plastic BGA package does 90% of the thermal dissipation through the ground balls, and especially the central thermal balls which are directly connected to the die. The remaining 10% is dissipated through the case. Adding a heat sink reduces this value to 85%.

As a result, some basic rules must be followed when routing the STPC in order to avoid thermal problems.

As the whole ground layer acts as a heat sink, the ground balls must be directly connected to it, as illustrated in [Figure 6-26](#). If one ground layer is not enough, a second ground plane may be added.

When possible, it is important to avoid other devices on-board using the PCB for heat dissipation, like linear regulators, as this would heat the STPC itself and reduce the temperature range of the whole system. In case these devices can not use a separate heat sink, they must not be located just near the STPC

**Figure 6-26. Ground routing**

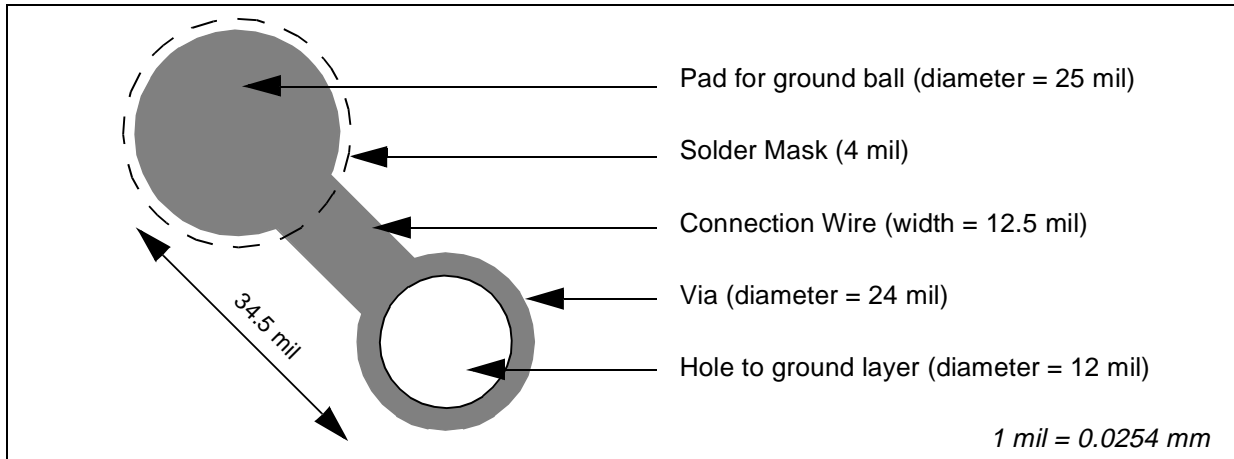


## DESIGN GUIDELINES

When considering thermal dissipation, one of the most important parts of the layout is the connection between the ground balls and the ground layer.

A 1-wire connection is shown in [Figure 6-27](#). The use of a 8-mil wire results in a thermal resistance of  $105^{\circ}\text{C}/\text{W}$  assuming copper is used ( $418 \text{ W}/\text{m}\cdot^{\circ}\text{K}$ ). This high value is due to the thickness ( $34 \mu\text{m}$ ) of the copper on the external side of the PCB.

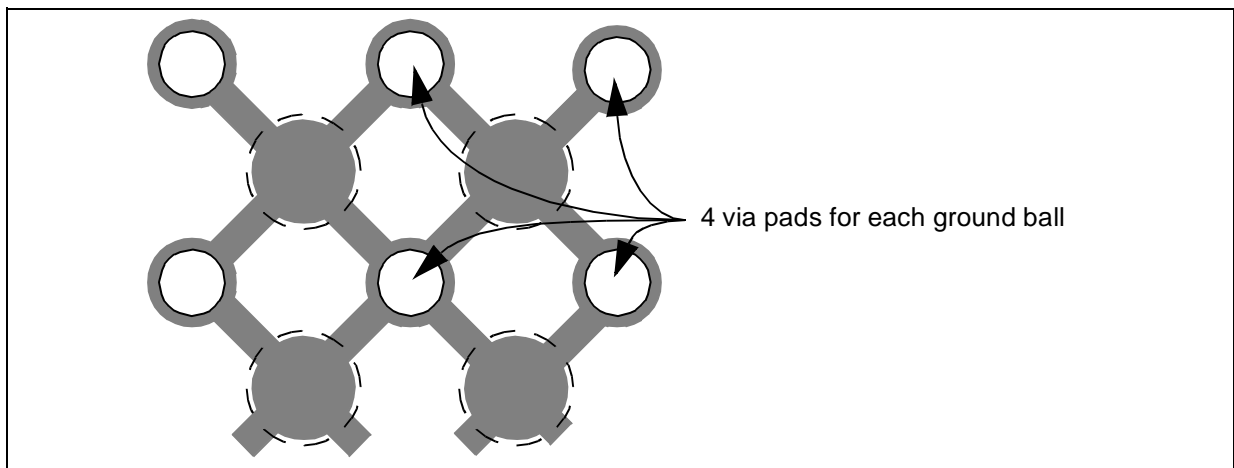
**Figure 6-27. Recommended 1-wire Power/Ground Pad Layout**



Considering only the central matrix of 36 thermal balls and one via for each ball, the global thermal resistance is  $2.9^{\circ}\text{C}/\text{W}$ . This can be easily improved using four 12.5 mil wires to connect to

the four vias around the ground pad link as in [Figure 6-28](#). This gives a total of 49 vias and a global resistance for the 36 thermal balls of  $0.5^{\circ}\text{C}/\text{W}$ .

**Figure 6-28. Recommended 4-wire Ground Pad Layout**

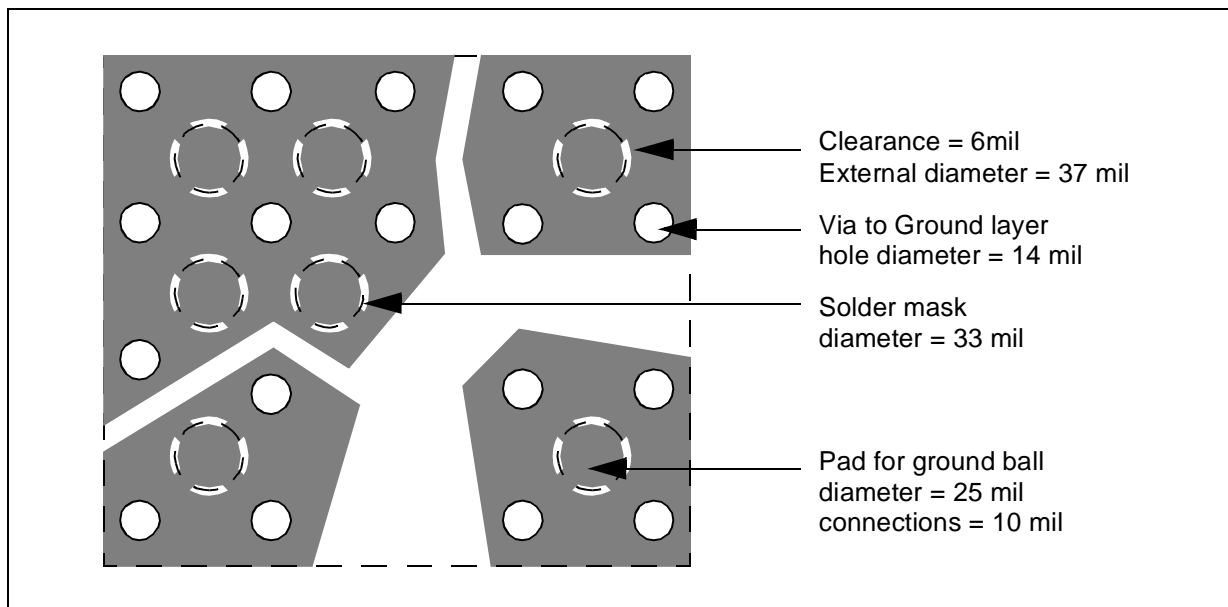


The use of a ground plane like in [Figure 6-29](#) is even better.

To avoid solder wicking over to the via pads during soldering, it is important to have a solder mask of 4 mil around the pad (NSMD pad). This gives a diameter of 33 mil for a 25 mil ground pad.

To obtain the optimum ground layout, place the vias directly under the ball pads. In this case no local board distortion is tolerated.

Figure 6-29. Optimum Layout for Central Ground Ball - top layer



#### 6.4.5.3. Heat dissipation

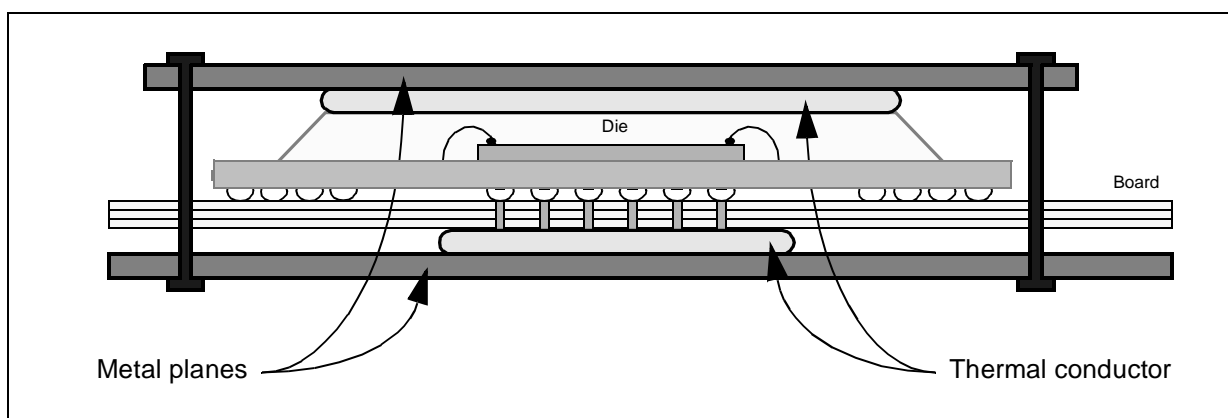
The thickness of the copper on PCB layers is typically 34  $\mu\text{m}$  for external layers and 17  $\mu\text{m}$  for internal layers. This means that thermal dissipation is not good; high board temperatures are concentrated around the devices and these fall quickly with increased distance.

Where possible, place a metal layer inside the PCB; this improves dramatically the spread of

heat and hence the thermal dissipation of the board.

The possibility of using the whole system box for thermal dissipation is very useful in cases of high internal temperatures and low outside temperatures. Bottom side of the PBGA should be thermally connected to the metal chassis in order to propagate the heat flow through the metal. Thermally connecting also the top side will improve furthermore the heat dissipation. [Figure 6-30](#) illustrates such an implementation.

Figure 6-30. Use of Metal Plate for Thermal Dissipation



## DESIGN GUIDELINES

As the PCB acts as a heat sink, the layout of top and ground layers must be done with care to maximize the board surface dissipating the heat. The only limitation is the risk of losing routing channels. [Figure 6-31](#) and [Figure 6-32](#) show a

routing with a good thermal dissipation thanks to an optimized placement of power and signal vias. The ground plane should be on bottom layer for the best heat spreading (thicker layer than internal ones) and dissipation (direct contact with air).

**Figure 6-31. Layout for Good Thermal Dissipation - top layer**

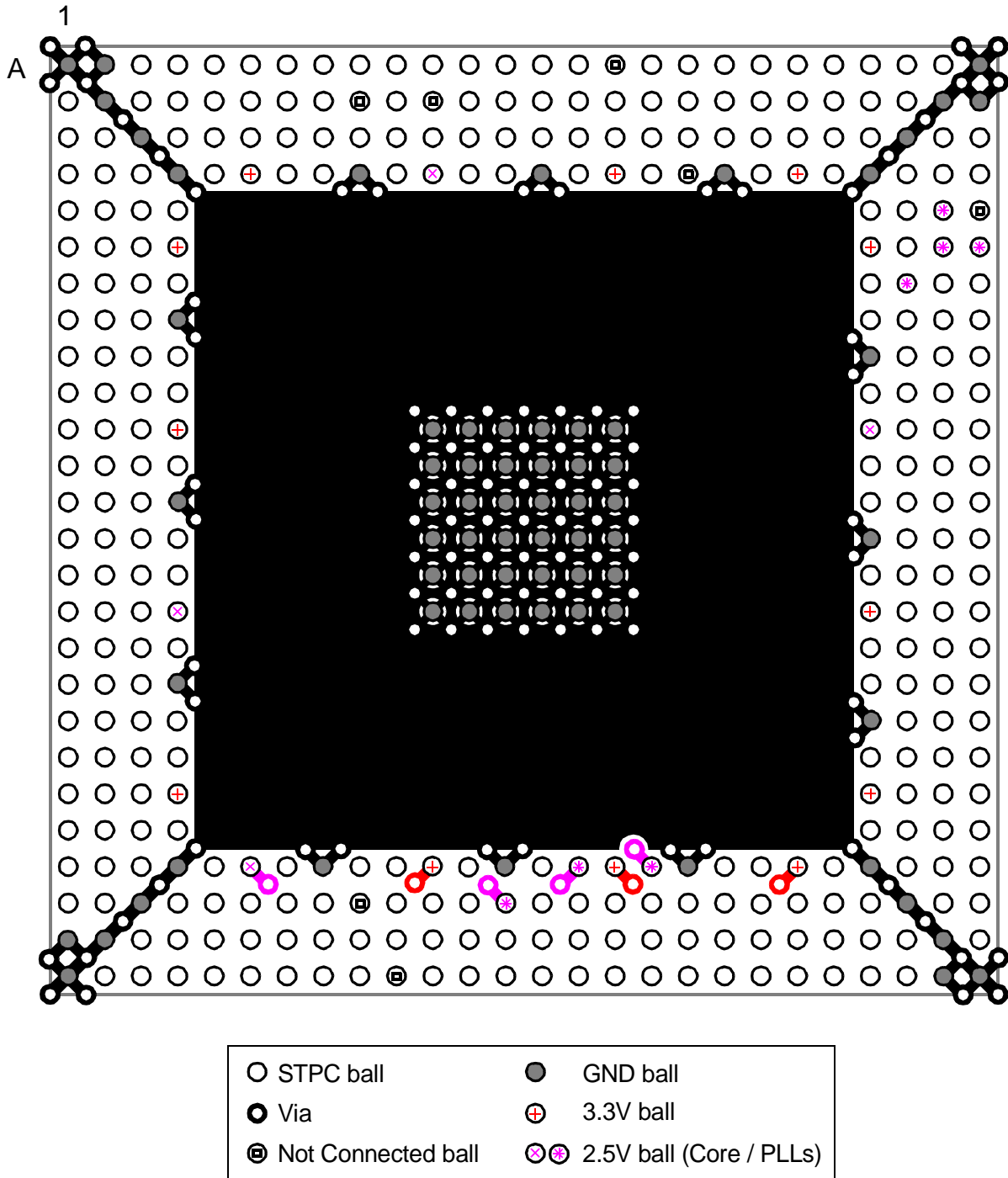
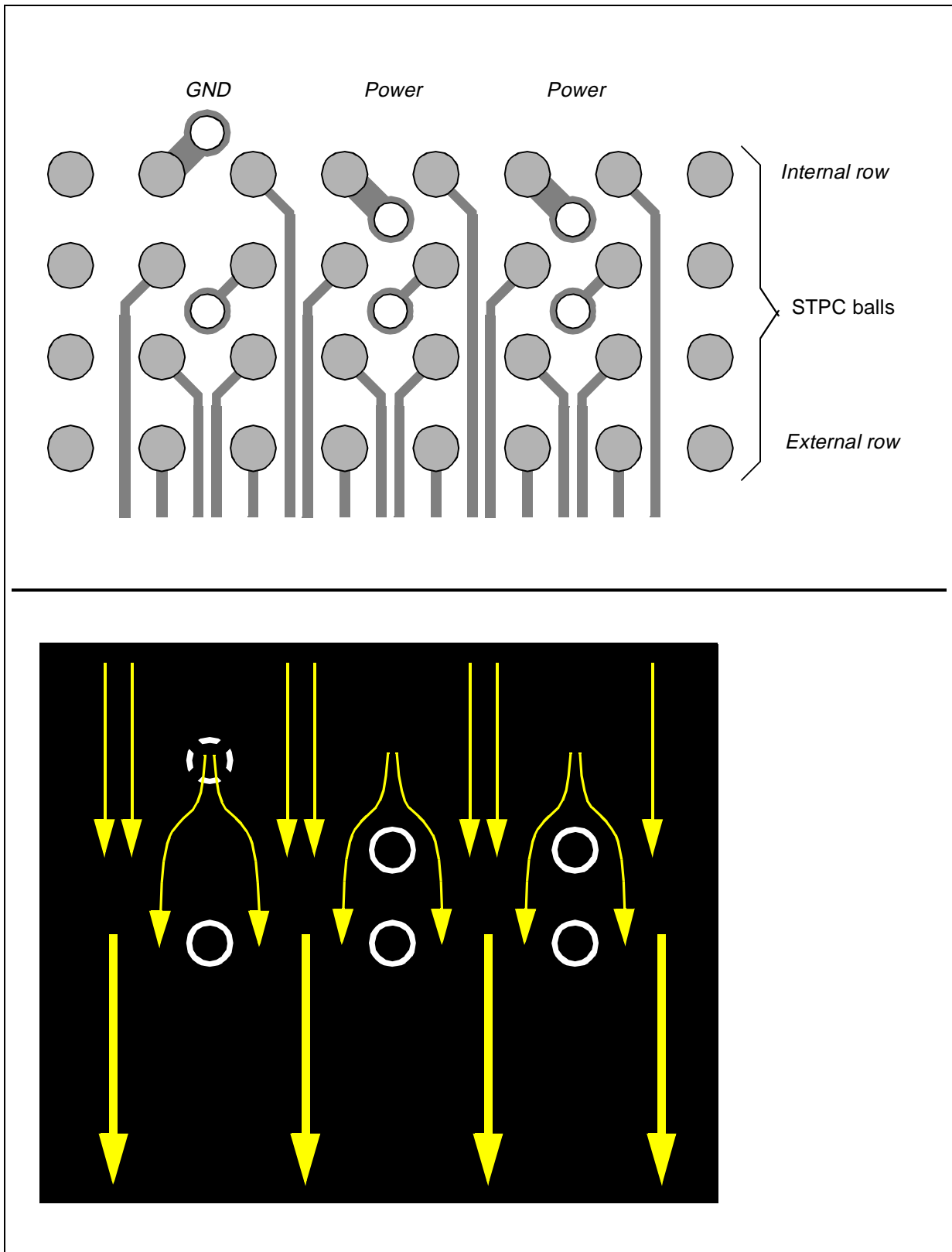


Figure 6-32. Recommend signal wiring (top & ground layers) with corresponding heat flow



### 6.5. DEBUG METHODOLOGY

In order to bring a STPC-based board to life with the best efficiency, it is recommended to follow the check-list described in this section.

#### 6.5.1. POWER SUPPLIES

In parallel with the assembly process, it is useful to get a bare PCB to check the potential short-circuits between the various power and ground planes. This test is also recommended when the first boards are back from assembly. This will avoid bad surprises in case of a short-circuit due to a bad soldering.

When the system is powered, all power supplies, including the PLL power pins must be checked to be sure the right level is present. See Table 4-2 for the exact supported voltage range:

VDD\_CORE: 2.5V  
VDD\_xxxPLL: 2.5V  
VDD: 3.3V

#### 6.5.2. BOOT SEQUENCE

##### 6.5.2.1. Reset input

The checking of the reset sequence is the next step. The waveform of SYSRSTI# must comply with the timings described in Figure 4-3. This signal must not have glitches and must stay low until the 14.31818MHz output (OSC14M) is at the right frequency and the strap options are stabilized to a valid configuration.

In case this clock is not present, check the 14MHz oscillator stage (see Figure 6-3).

##### 6.5.2.2. Strap options

The STPC has been designed in a way to allow configurations for test purpose that differs from the functional configuration. In many cases, the troubleshootings at this stage of the debug are the resulting of bad strap options. This is why it is mandatory to check they are properly setup and sampled during the boot sequence.

The list of all the strap options is summarized at the beginning of Section 3.

##### 6.5.2.3. Clocks

Once OSC14M is checked and correct, the next signals to measure are the Host clock (HCLK), PCI clocks (PCI\_CLKO, PCI\_CLKI) and Memory clock (MCLKO, MCLKI).

HCLK must run at the speed defined by the corresponding strap options (see Table 3-1) and

must not be more than 100MHz. In x2 CPU clock mode, this clock must be limited to 66MHz.

PCI\_CLKI and PCI\_CLKO must be connected as described in Figure 6-19 and not be higher than 33MHz. Their speed depends on HCLK and on the divider ratio defined by the MD[4] and MD[17] strap options as described in Section 3.

To ensure a correct behaviour of the device, the PCI deskewing logic must be configured properly by the MD[7:6] strap options according to Section 3. For timings constraints, refers to Section 4.

MCLKI and MCLKO must be connected as described in Figure 6-3 to Figure 6-5 depending on the SDRAM implementation. The memory clock must run at HCLK speed when in synchronous mode and must not be higher than 100MHz in any case.

##### 6.5.2.4. Reset output

If SYSRSTI# and all clocks are correct, then the SYSRSTO# output signal should behave as described in Figure 4-3.

#### 6.5.3. ISA MODE

Prior to check the ISA bus control signals, PCI\_CLKI, ISA\_CLK, ISA\_CLK2X, and DEV\_CLK must be running properly. If it is not the case, it is probably because one of the previous steps has not been completed.

##### 6.5.3.1. First code fetches

When booting on the ISA bus, the two key signals to check at the very beginning are RMRTCCS# and FRAME#.

The first one is a Chip Select for the boot flash and is multiplexed with the IDE interface. It should toggle together with ISAOE# and MEMRD# to fetch the first 16 bytes of code. This corresponds to the loading of the first line of the CPU cache.

In case RMRTCCS# does not toggle, it is then necessary to check the PCI FRAME# signal. Indeed the ISA controller is part of the South Bridge and all ISA bus cycles are visible on the PCI bus.

If there is no activity on the PCI bus, then one of the previous steps has not been checked properly. If there is activity then there must be something conflicting on the ISA bus or on the PCI bus.

##### 6.5.3.2. Boot Flash size

The ISA bus supports 8-bit and 16-bit memory devices. In case of a 16-bit boot flash, the signal MEMCS16# must be activated during



RMRTCCS# cycle to inform the ISA controller of a 16-bit device.

6.5.3.3. POST code

Once the 16 first bytes are fetched and decoded, the CPU core continue its execution depending on the content of these first data. Usually, it corresponds to a JUMP instruction and the code fetching continues, generating read cycles on the ISA bus.

Most of the BIOS and boot loaders are reading the content of the flash, decompressing it in SDRAM, and then continue the execution by jumping to the entry point in RAM. This boot process ends with a JUMP to the entry point of the OS launcher.

These various steps of the booting sequence are codified by the so-called POST codes (Power-On Self-Test). A 8-bit code is written to the port 80H at the beginning of each stage of the booting process (I/O write to address 0080H) and can be displayed on two 7-segment display, enabling a fast visual check of the booting completion level.

Usually, the last POST code is 0x00 and corresponds to the jump into the OS launcher.

When the execution fails or hangs, the latest written code stays visible on that display, indicating either the piece of code to analyse, either the area of the hardware not working properly.

6.5.4. LOCAL BUS MODE

As the Local Bus controller is located into the Host interface, there is no access to the cycles on the PCI, reducing the amount of signals to check.

6.5.4.1. First code fetches

When booting on the Local Bus, the key signal to check at the very beginning is FCS0#. This signal is a Chip Select for the boot flash and should toggle together with PRD# to fetch the first 16 bytes of code. This corresponds to the loading of the first line of the CPU cache.

In case FCS0# does not toggle, then one of the previous steps has not been done properly, like HCLK speed and CPU clock multiplier (x1, x2).

6.5.4.2. Boot Flash size

The Local Bus support 16-bit boot memory devices only.

6.5.4.3. POST code

Like in ISA mode, POST codes can be implemented on the Local Bus. The difference is that an IOCS# must be programmed at I/O address 80H prior to writing these code, the POST display being connected to this IOCS# and to the lower 8 bits of the bus.

6.5.5. SUMMARY

Here is a check-list for the STPC board debug from power-on to CPU execution.

For each step, in case of failure, verify first the corresponding balls of the STPC:

- check if the voltage or activity is correct
- search for potential shortcuts.

For troubleshooting in steps 5 to 10, verify the related strap options:

- value & connection. Refer to Section 3.
- see [Figure 4-3](#) for timing constraints

Steps 8a and 9a are for debug in ISA mode while steps 8b and 9b are for Local Bus mode.

	Check:	How?	Troubleshooting
1	Power supplies	Verify that voltage is within specs: - this must include HF & LF noise - avoid full range sweep Refer to Table 4-1 for values	Measure voltage near STPC balls: - use very low GND connection. Add some decoupling capacitor: - the smallest, the nearest to STPC balls.
2	14.318 MHz	Verify OSC14M speed	The 2 capacitors used with the quartz must match with the capacitance of the crystal. Try other values.
3	SYSRSTI# (Power Good)	Measure SYSRSTI# of STPC See <a href="#">Figure 4-3</a> for waveforms.	Verify reset generation circuit: - device reference - components value
5	HCLK	Measure HCLK is at selected frequency 25MHz < HCLK < 100MHz	HCLK wire must be as short as possible

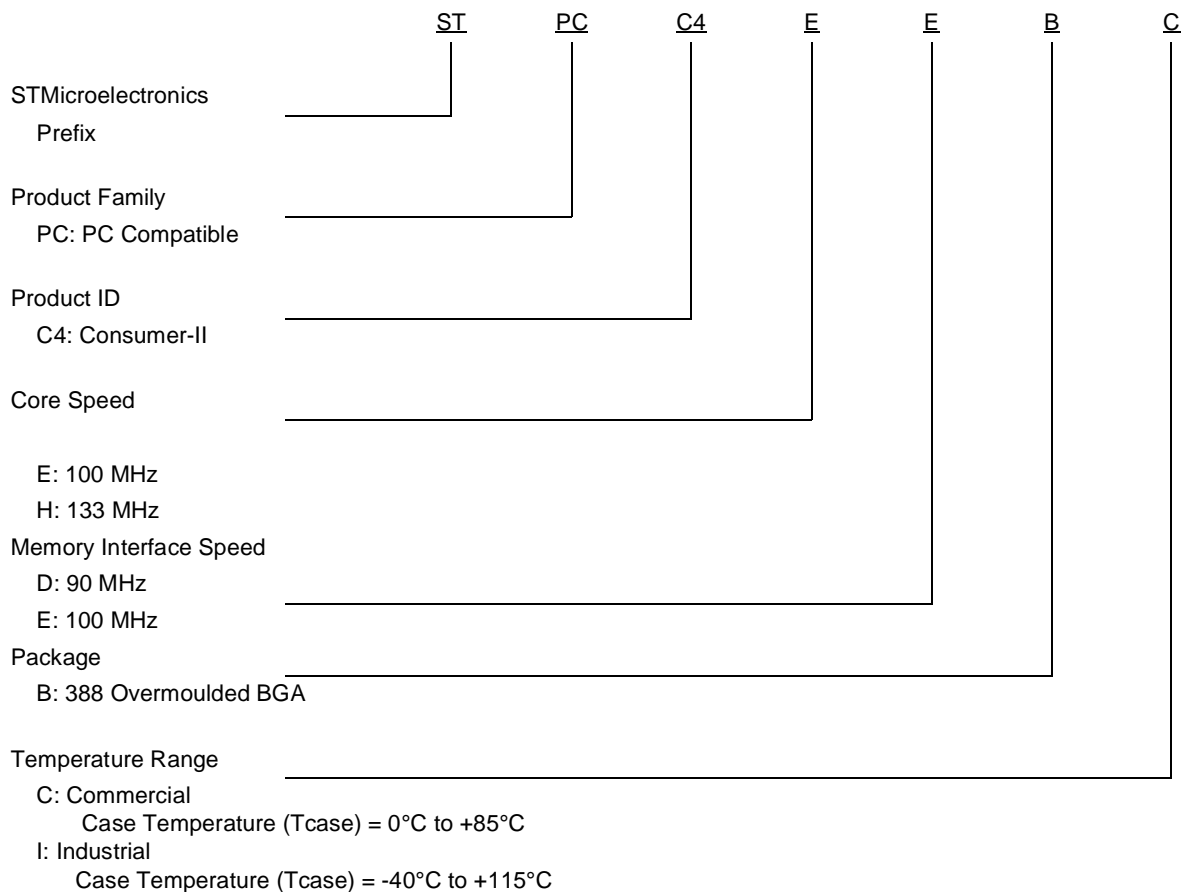
## DESIGN GUIDELINES

	Check:	How?	Troubleshooting
6	PCI clocks	Measure PCICLK0: - maximum is 33MHz by standard - check it is at selected frequency - it is generated from HCLK by a division (1/2, 1/3 or 1/4) Check PCICLK1 equals PCICLK0	Verify PCICLK0 loops to PCICLK1. Verify maximum skew between any PCI clock branch is below 2ns. In Synchronous mode, check MCLK1.
7	Memory clocks	Measure MCLK0: - use a low-capacitance probe - maximum is 100MHz - check it is at selected frequency - In SYNC mode MCLK=HCLK - in ASYNC mode, default is 66MHz Check MCLK1 equals MCLK0	Verify load on MCLK1. Verify MCLK programming (BIOS setting).
4	SYSRSTO#	Measure SYSRSTO# of STPC See <a href="#">Figure 4-3</a> for waveforms.	Verify SYSRSTI# duration. Verify SYSRSTI# has no glitch Verify clocks are running.
8a	PCI cycles	Check PCI signals are toggling: - FRAME#, IRDY#, TRDY#, DEVSEL# - these signals are active low. Check, with a logic analyzer, that first PCI cycles are the expected ones: memory read starting at address with lower bits to 0xFFFF0	Verify PCI slots If the STPC don't boot - verify data read from boot memory is OK - ensure Flash is correctly programmed - ensure CMOS is cleared.
9a	ISA cycles to boot memory	Check RMRTCCS# & MEMRD# Check directly on boot memory pin	Verify MEMCS16#: - must not be asserted for 8-bit memory Verify IOCHRDY is not be asserted Verify ISAOE# pin: - it controls IDE / ISA bus demultiplexing
8b	Local Bus cycles to boot memory	Check FCS0# & PRD# Check directly on boot memory pin	Verify HCLK speed and CPU clock mode.
9b	Local Bus cycles to boot memory	Check, with a logic analyzer, that first Local Bus cycles are the expected one: memory read starting at the top of boot memory less 16 bytes	If the STPC don't boot - verify data read from boot memory is OK - ensure Flash is correctly programmed - ensure CMOS is cleared.
10	The CPU fills its first cache line by fetching 16 bytes from boot memory. Then, first instructions are executed from the CPU. Any boot memory access done after the first 16 bytes are due to the instructions executed by the CPU => Minimum hardware is correctly set, CPU executes code. Please have a look to the Bios Writer's Guide or Programming Manual to go further with your board testing.		

### 6.6.

## 7. ORDERING DATA

### 7.1. ORDERING CODES



## ORDERING DATA

---

### 7.2. AVAILABLE PART NUMBERS

Part Number	Core Frequency ( MHz )	CPU Mode ( X1 / X2 )	Interface Speed (MHz)	Tcase Range ( °C )
STPCC4HEBC	133	X2	100	0°C to +85°
STPCC4HEBI	133	X2	100	-40°C to +115°
STPCC5HEBC	133	X2	100	0°C to +85°
STPCC5HEBI	133	X2	100	-40°C to +115°

### 7.3. CUSTOMER SERVICE

More information is available on the  
STMicroelectronics Internet site [http://  
www.st.com/stpc](http://www.st.com/stpc)

---

Information furnished is believed to be accurate and reliable. However, STMicroelectronics assumes no responsibility for the consequences of use of such information nor for any infringement of patents or other rights of third parties which may result from its use. No license is granted by implication or otherwise under any patent or patent rights of STMicroelectronics. Specifications mentioned in this publication are subject to change without notice. This publication supersedes and replaces all information previously supplied. STMicroelectronics products are not authorized for use as critical components in life support devices or systems without express written approval of STMicroelectronics.

© 2000 STMicroelectronics - All Rights Reserved

The ST logo is a registered trademark of STMicroelectronics.

All other names are the property of their respective owners.

STMicroelectronics GROUP OF COMPANIES

Australia - Brazil - China - France - Germany - Italy - Japan - Korea - Malaysia - Malta - Mexico - Morocco - The Netherlands - Singapore - Spain - Sweden - Switzerland - Taiwan - Thailand - United Kingdom - U.S.A.

