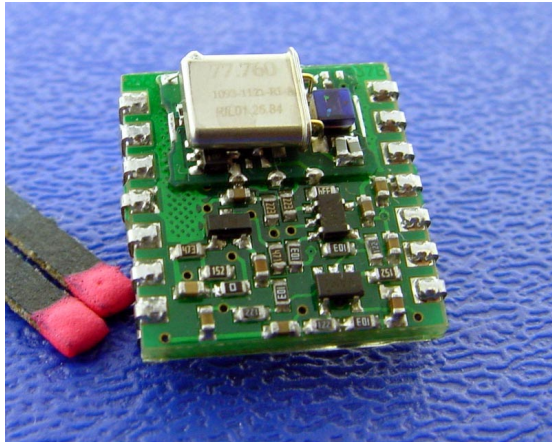


SY02-PLL

Date: May 18, 2004



- **INTRODUCTION**

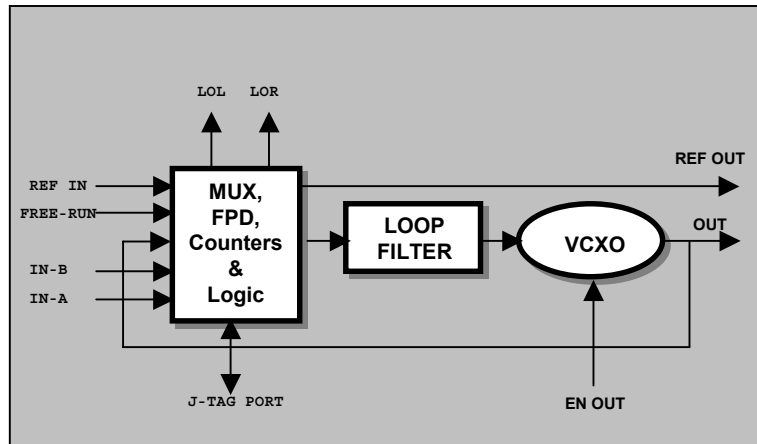
The SY02-PLL is a crystal-based PLL synchronizer designed as a module level subsystem for easy incorporation into telecommunication equipment.

- **FEATURES**

- Low jitter output from intrinsically low jitter VCXO;
- Four selectable references inputs: 8, 16, 32 and 64KHz;
- Alarms and status;
- Buffered reference output;
- Tri-state (high impedance) reference and oscillators outputs;
- Provides free running clock output;
- The unit changes timing modes in response to external events;
- J-TAG service port for re-programming and servicing;

- **APPLICATIONS**

- ATM
- SDH
- PDH
- SONET
- other telecommunication equipment.



DESCRIPTION

The SY02-PLL is a Phase Lock Loop has been designed as a module level subsystem for easy incorporation into telecommunication equipment. The module generates the output from a low jitter VCXO. The SY02-PLL can lock to one of four reference frequencies from 8 to 64kHz that can be selected using to external select pins. The counters, phase detector and other logic are implemented in programmable logic. The loop bandwidth is optimized according to used VCXO and wanted output performance. The two output signals monitor the status of the phase loop LOL (Loss of Lock) and LOR (Loss of Reference). The two control inputs provides module to go into free-run regardless of the reference (FREE_RUN) and to the tri-state high impedance output (OUT EN). The SMD package dimensions are 19.4 x 20.3 mm and power supply is 3.3V.

- INPUT REFERENCE SELECTION

IN-A	IN-B	REFERENCE SELECTED
0	0	8KHz (default)
1	0	16KHz
0	1	32KHz
1	1	64KHz

- OUTPUT PROGRAMMING

EN OUT	FREE-RUN	OUTPUT
0	0	Locked to Reference
1	X	Hi-Z Tri-State
0	1	Free-Run

- ALARM STATES

LOL	LOR	ALARM
0	0	No alarm
1	0	Loss of Lock
0	1	Loss of Reference

- PIN DESCRIPTION**

Pin #	Name	Description
1	REF OUT	Reference Output -> The buffered signal from REFERENCE IN pin.
2	TCK	J-TAG port for factory usage – TCK
3	TMS	J-TAG port for factory usage – TMS
4	GND	Ground
5	FREE-RUN	Free-Run -> Control input to force unit to run as free running oscillator
6	LOR	Loss of Reference -> Output signal shows presence of the reference
7	LOL	Loss of Lock -> Output signal shows status of the PLL
8	REF IN	Reference Input -> Reference input signal
9	OUT	Oscillator Output -> Output of the module
10	OUT EN	Output Enable -> Control input to enable/disable the module output
11	Vcc	Positive supply voltage
12	TDO	J-TAG port for factory usage – TDO
13	IN-B	External Reference 1 Input -> Select input from reference 1
14	IN-A	External Reference 2 Input -> the input from reference 2

- ORDERING INFORMATION**

- Input/Output Frequencies available;

Frequency	Suffix	Frequency	Suffix
8KHz	F8	38.880MHz	O2
1.024MHz	E0	44.4343MHz	B1
1.544MHz	T1	44.7360MHz	T3
2.048MHz	E1	51.8400MHz	D1
4.096MHz	E2	61.4400MHz	U1
6.1760MHz	T2	62.5000MHz	G1
6.480MHz	D1	65.5360MHz	B2
8.192MHz	E3	77.7600MHz	O3
10.000MHz	A1		
12.800MHz	S1		
13.000MHz	G1		
15.000MHz	A2		
16.384MHz	E4		
19.440MHz	O1		
20.000MHz	M1		
20.1416MHz	A3		
20.4800MHz	A4		
22.2171MHz	A5		
26.0000MHz	G2		
27.0000MHz	A6		
29.4912MHz	A7		
32.768MHz	E4		
34.560MHz	A8		
37.0560MHz	A9		

➤ P/N System

SY02-PLL- IP < Input Frequency> - OU<Output Freq.>-S-T<Temp. Range>-P <Package Opt.>

➤ See above Chart
If not listed Place **NL** and state the Freq.)

➤ See above Chart
(If Output Freq. Not applied place **NA** and state the Freq.)

➤ Supply Voltage;
4 - 3.3V

➤ Operating Temperature Range;
C - 0°C to 70°C
I -40°C to +85°C

➤ Package Option;
J - J Lead Package
S - SMT Package

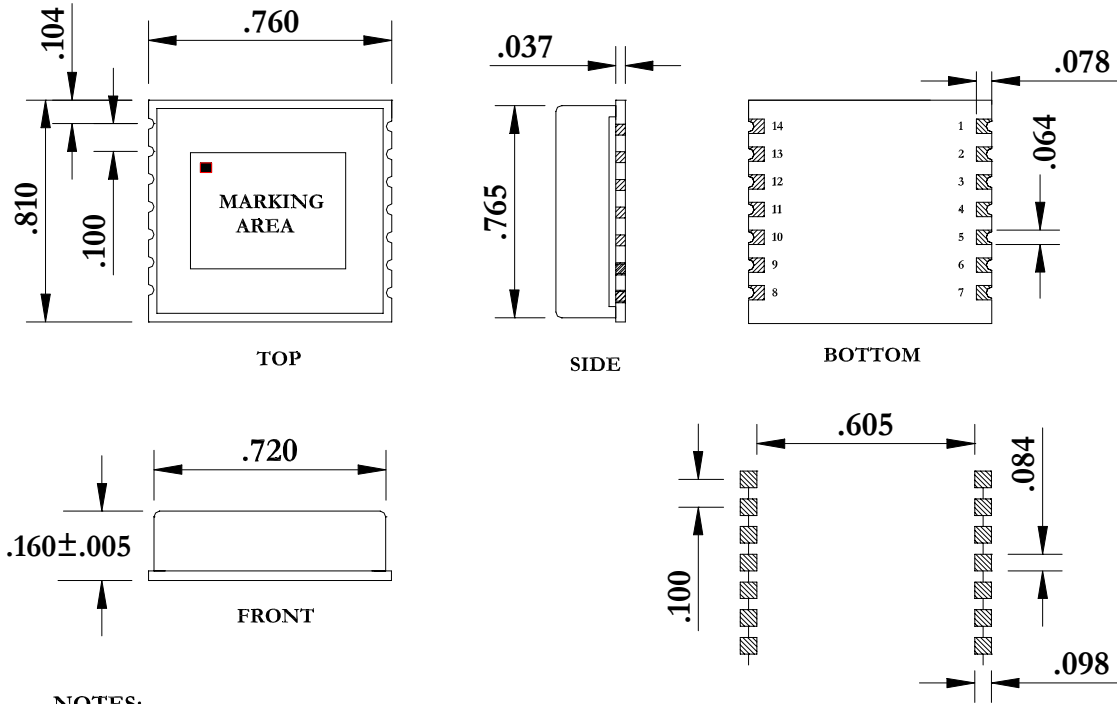
- For other frequencies contact the factory!
- When Input frequencies other than 8KHz are chosen IN-A and IN-B are disabled

● SPECIFICATION

General Specifications	Mechanical	19.4 x 20.3 mm	SMT Module FR4 14pins dual-in-line
	Power Environment	3.3VDC, <100mA Operating Temperature	Regulated 0°C to 70°C (Extended Temp. available -40° to 85°C)
	Internal Oscillators	Storage Temperature Humidity Voltage Controlled Crystal Oscillator (VCXO)	-40° to 85°C 5% to 95% non-condensing
Input Signals	Number of Reference Inputs	1	
	Input reference frequency	8, 16, 32 and 64kHz	Select by external pins
	Signal Level	HCMOS/TTL Compatible	
Output Signals	Number of Outputs	2	
	Output 1	19.44, 38.88, 77.76MHz	User defined
	Output 1 Signal Level	HCMOS	
	Output 2	Buffered REF IN	
	Output 2 Signal Level	HCMOS	
	Tracking/Capture Range	±25ppm min	
Signal Quality Performance	Jitter generation	<0.001UI	
	Jitter tolerance	2 μs, 10 Hz (0.05 UI @ 8KHz)	
Frequency Output Performance	Free run accuracy	±20ppm max. @ 25°C	No reference signal (***±30ppm max. @ 25°C at extended operating temp. range***)

• **OUTLINE DRAWING**

SMT VERSION



NOTES:
1. UNLESS OTHERWISE SPECIFIED,
DIMENSIONAL TOLERANCES ARE $\pm .010$

**SOLDER PATTERN
RECOMMENDED**

J-LEADS VERSION

