



2-INPUT AND/NAND

**SY10EL04
SY100EL04**

FEATURES

- 240ps propagation delay
- High bandwidth output transitions
- Internal 75K Ω input pull-down resistors
- Available in 8-pin SOIC package

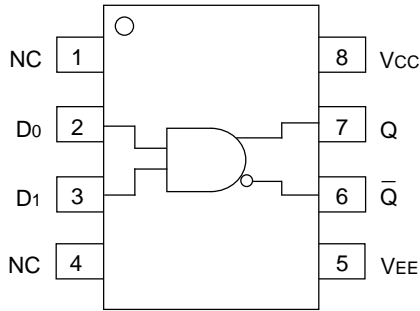
DESCRIPTION

The SY10/100EL04 are 2-input AND/NAND gates. These devices are functionally equivalent to the E104 devices, with higher performance capabilities. With propagation delays and output transition times significantly faster than the E104, the EL04 is ideally suited for those applications which require the ultimate in AC performance.

PIN NAMES

Pin	Function
D0, D1	Data Inputs
Q	Data Outputs

PACKAGE/ORDERING INFORMATION



8-Pin SOIC (Z8-1)

Ordering Information⁽¹⁾

Part Number	Package Type	Operating Range	Package Marking	Lead Finish
SY10EL04ZC	Z8-1	Commercial	HEL04	Sn-Pb
SY10EL04ZCTR ⁽²⁾	Z8-1	Commercial	HEL04	Sn-Pb
SY100EL04ZC	Z8-1	Commercial	XEL04	Sn-Pb
SY100EL04ZCTR ⁽²⁾	Z8-1	Commercial	XEL04	Sn-Pb
SY10EL04ZI	Z8-1	Industrial	HEL04	Sn-Pb
SY10EL04ZITR ⁽²⁾	Z8-1	Industrial	HEL04	Sn-Pb
SY100EL04ZI	Z8-1	Industrial	XEL04	Sn-Pb
SY100EL04ZITR ⁽²⁾	Z8-1	Industrial	XEL04	Sn-Pb
SY10EL04ZG ⁽³⁾	Z8-1	Industrial	HEL04 with Pb-Free bar-line indicator	Pb-Free NiPdAu
SY10EL04ZGTR ^(2, 3)	Z8-1	Industrial	HEL04 with Pb-Free bar-line indicator	Pb-Free NiPdAu
SY100EL04ZG ⁽³⁾	Z8-1	Industrial	XEL04 with Pb-Free bar-line indicator	Pb-Free NiPdAu
SY100EL04ZGTR ^(2, 3)	Z8-1	Industrial	XEL04 with Pb-Free bar-line indicator	Pb-Free NiPdAu

Notes:

1. Contact factory for die availability. Dice are guaranteed at T_A = 25°C, DC Electricals only.
2. Tape and Reel.
3. Pb-Free package is recommended for new designs.

DC ELECTRICAL CHARACTERISTICS

V_{EE} = V_{EE} (Min.) to V_{EE} (Max.); V_{CC} = GND

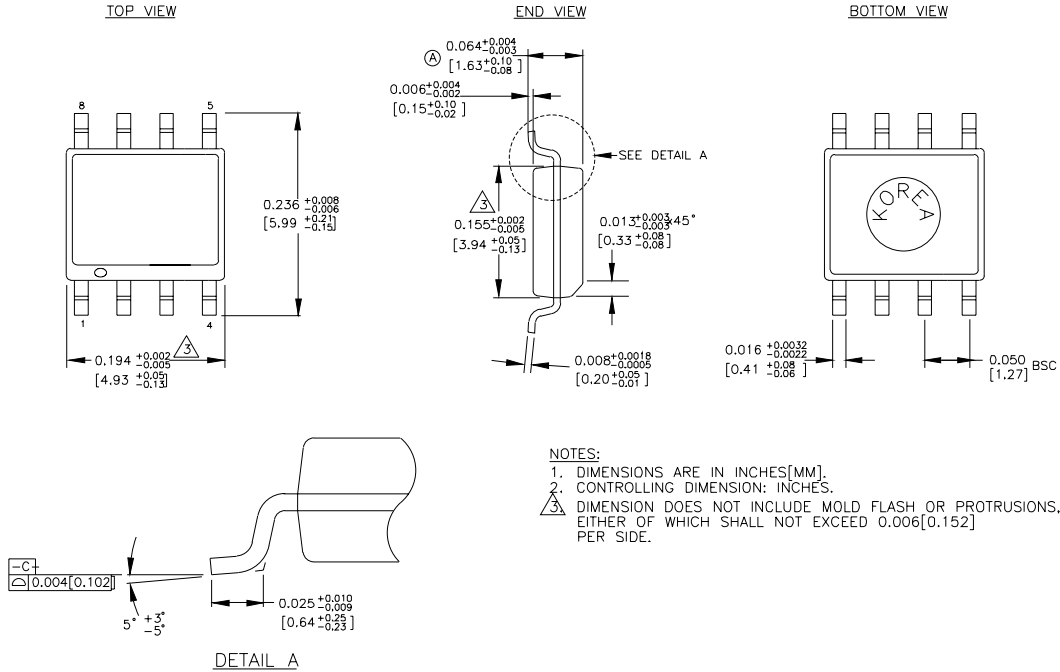
Symbol	Parameter	T _A = -40°C			T _A = 0°C			T _A = +25°C			T _A = +85°C			Unit
		Min.	Typ.	Max.	Min.	Typ.	Max.	Min.	Typ.	Max.	Min.	Typ.	Max.	
I _{EE}	Power Supply Current													mA
	10EL	—	14	17	11	14	17	11	14	17	11	14	17	
	100EL	—	14	17	11	14	17	11	14	17	13	16	20	
V _{EE}	Power Supply Voltage													V
	10EL	-4.75	-5.2	-5.5	-4.75	-5.2	-5.5	-4.75	-5.2	-5.5	-4.75	-5.2	-5.5	
	100EL	-4.20	-4.5	-5.5	-4.20	-4.5	-5.5	-4.20	-4.5	-5.5	-4.20	-4.5	-5.5	
I _{IH}	Input HIGH Current													μA
	D0	—	—	250	—	—	250	—	—	250	—	—	250	
	D1	—	—	150	—	—	150	—	—	150	—	—	150	

AC ELECTRICAL CHARACTERISTICS

V_{EE} = V_{EE} (Min.) to V_{EE} (Max.); V_{CC} = GND

Symbol	Parameter	T _A = -40°C			T _A = 0°C			T _A = +25°C			T _A = +85°C			Unit
		Min.	Typ.	Max.	Min.	Typ.	Max.	Min.	Typ.	Max.	Min.	Typ.	Max.	
t _{PD}	Propagation Delay to Output D	70	235	410	120	235	360	130	240	370	155	265	395	ps
t _r t _f	Output Rise/Fall Times Q (20% to 80%)	100	225	350	100	225	350	100	225	350	100	225	350	ps

8-PIN SOIC .150" (Z8-1)



Rev. 03

MICREL, INC. 2180 FORTUNE DRIVE SAN JOSE, CA 95131 USA

TEL + 1 (408) 944-0800 FAX + 1 (408) 474-1000 WEB <http://www.micrel.com>

The information furnished by Micrel in this datasheet is believed to be accurate and reliable. However, no responsibility is assumed by Micrel for its use. Micrel reserves the right to change circuitry and specifications at any time without notification to the customer.

Micrel Products are not designed or authorized for use as components in life support appliances, devices or systems where malfunction of a product can reasonably be expected to result in personal injury. Life support devices or systems are devices or systems that (a) are intended for surgical implant into the body or (b) support or sustain life, and whose failure to perform can be reasonably expected to result in a significant injury to the user. A Purchaser's use or sale of Micrel Products for use in life support appliances, devices or systems is at Purchaser's own risk and Purchaser agrees to fully indemnify Micrel for any damages resulting from such use or sale.

© 2006 Micrel, Incorporated.