

TOSHIBA BIPOLAR LINEAR INTEGRATED CIRCUIT SILICON MONOLITHIC

TA2025P, TA2025F

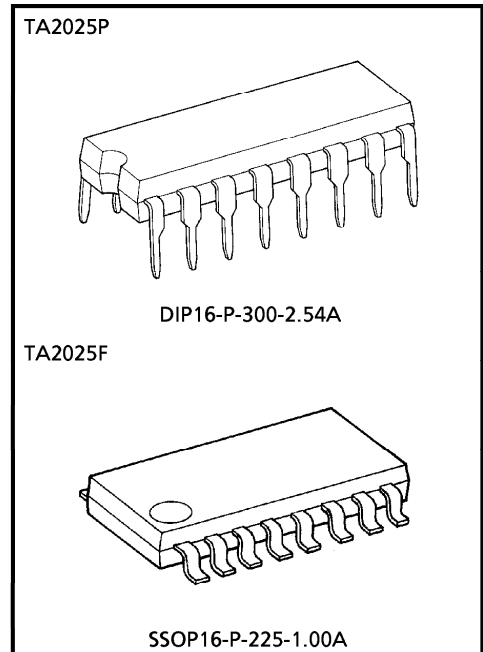
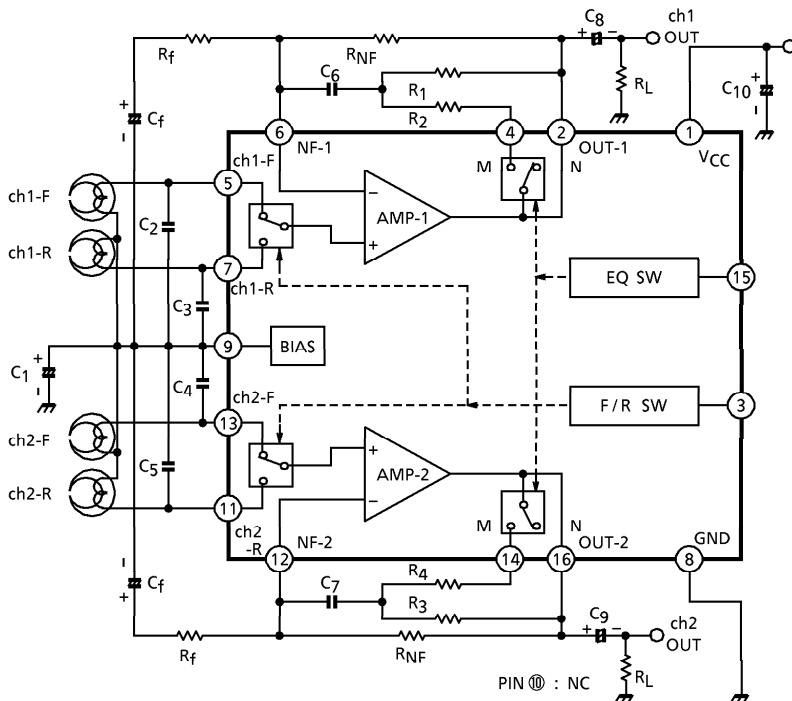
LOW NOISE PREAMPLIFIER FOR AUTOREVERSE CAR STEREO

The TA2025P, TA2025F contains dual amplifier, forward, reverse control switches and metal, normal tape equalizer control switches.

FEATURE

- High Voltage Gain
: $G_{VO} = 100 \text{ dB (Typ.)}$ ($V_{CC} = 9V, f = 1\text{kHz}$)
- No Input Coupling Capacitor
- Low Noise (Equivalent Noise Voltage)
: $V_{NI} = 0.6 \mu\text{Vrms (Typ.)}$ ($V_{CC} = 9V, R_g = 620\Omega, BW = 20\text{Hz} \sim 20\text{kHz, NAB EQ}$)
- Low Distortion : $\text{THD} = 0.01\% \text{ (Typ.)}$
- Operating Supply Voltage Range : $V_{CC} \text{ (opr.)} = 6 \sim 16V$

BLOCK DIAGRAM



Weight
 DIP16-P-300-2.54A : 1.00 g (Typ.)
 SSOP16-P-225-1.00A : 0.14 g (Typ.)

980508EBA2

● TOSHIBA is continually working to improve the quality and the reliability of its products. Nevertheless, semiconductor devices in general can malfunction or fail due to their inherent electrical sensitivity and vulnerability to physical stress. It is the responsibility of the buyer, when utilizing TOSHIBA products, to observe standards of safety, and to avoid situations in which a malfunction or failure of a TOSHIBA product could cause loss of human life, bodily injury or damage to property. In developing your designs, please ensure that TOSHIBA products are used within specified operating ranges as set forth in the most recent products specifications. Also, please keep in mind the precautions and conditions set forth in the TOSHIBA Semiconductor Reliability Handbook.

APPLICATION INFORMATION

1. FORWARD, REVERSE SELECT SWITCH

(1) Threshold Voltage

Pin ③ is coupled to the base of Q₁ (PNP-Tr) as shown in Fig.1.
Threshold voltage (pin ③) = 0.7 V

Reverse	0~0.5V
Forward	1.0~V _{CC}

(2) The recommended Forward, Reverse

Select circuit is shown in Fig. 2.

(3) I₃ (In Fig.1)

I₃ = 12 μA (Max., Ta = 25° C)

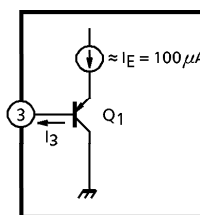


Fig.1

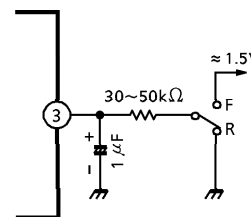


Fig.2

2. EQUALIZER CONTROL SWITCH

Pin ⑮ is coupled to the base of Q₂ (PNP-Tr) as shown in Fig.3.
The emitter potential of Q₂ is 3.9V(DC).
Threshold voltage (pin ⑮) = 2.8V

Metal	3.2~16V
Normal	0~2.4V

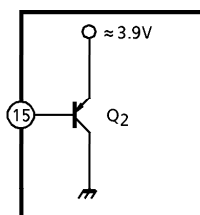


Fig.3

3. C₂/C₃/C₄/C₅

Capacitor C₂ ~ C₅ may be required for preventing a instability caused by the pattern layout or interference of external high frequency signal.

MAXIMUM RATINGS (Ta = 25°C)

CHARACTERISTIC	SYMBOL	RATING	UNIT
Supply Voltage	V _{CC}	16	V
Power Dissipation (Note)	P _D	350	mW
Operating Temperature	T _{opr}	- 30~85	°C
Storage Temperature	T _{stg}	- 55~150	°C

(Note) Derated above Ta = 25°C in the proportion of 6mW/°C for TA2025P and of 2.8mW/°C for TA2025F.

980508EBA2'

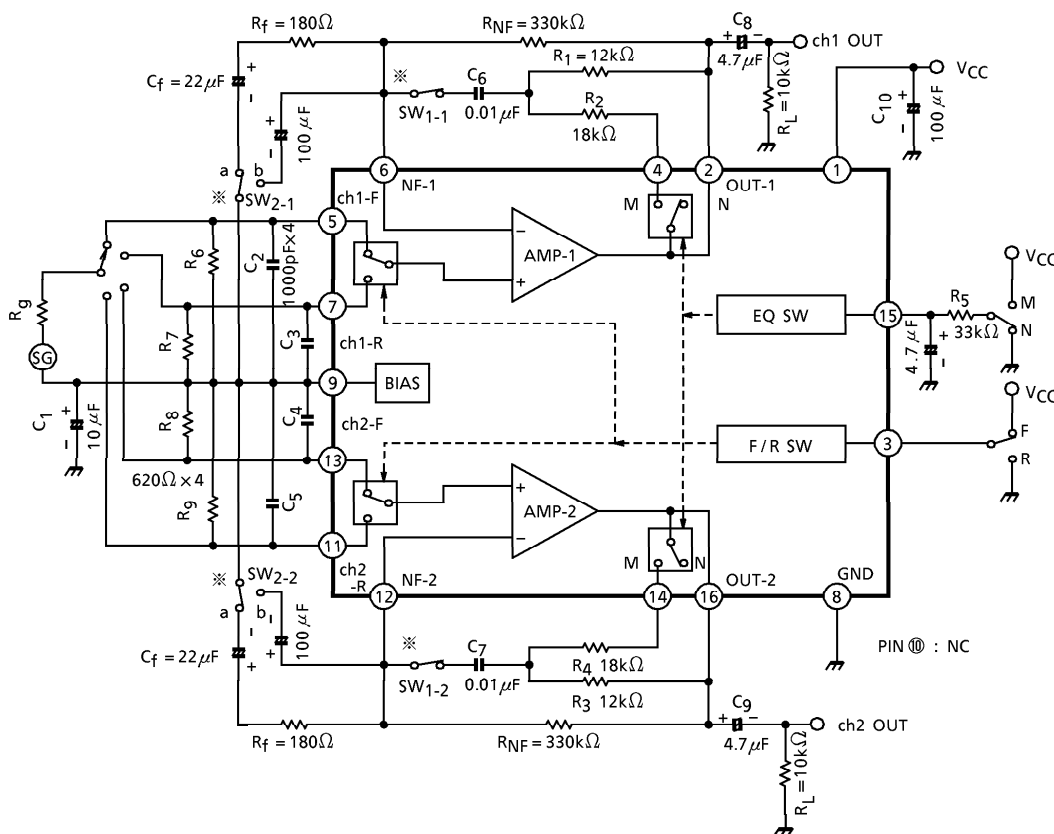
- The products described in this document are subject to foreign exchange and foreign trade laws.
- The information contained herein is presented only as a guide for the applications of our products. No responsibility is assumed by TOSHIBA CORPORATION for any infringements of intellectual property or other rights of the third parties which may result from its use. No license is granted by implication or otherwise under any intellectual property or other rights of TOSHIBA CORPORATION or others.
- The information contained herein is subject to change without notice.

ELECTRICAL CHARACTERISTICS

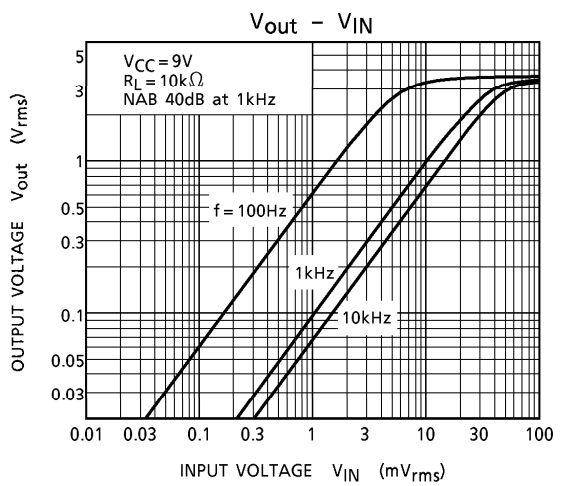
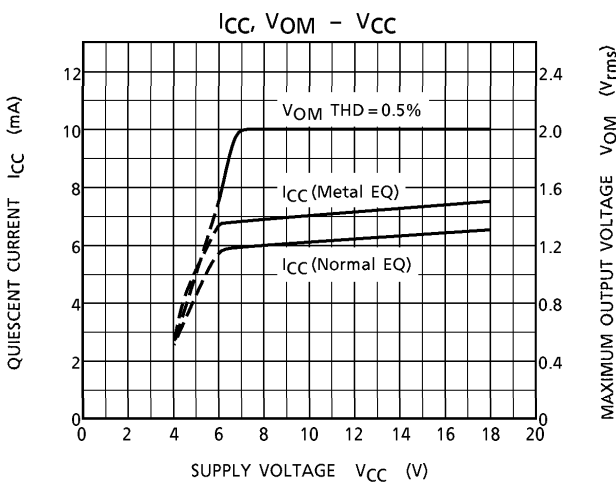
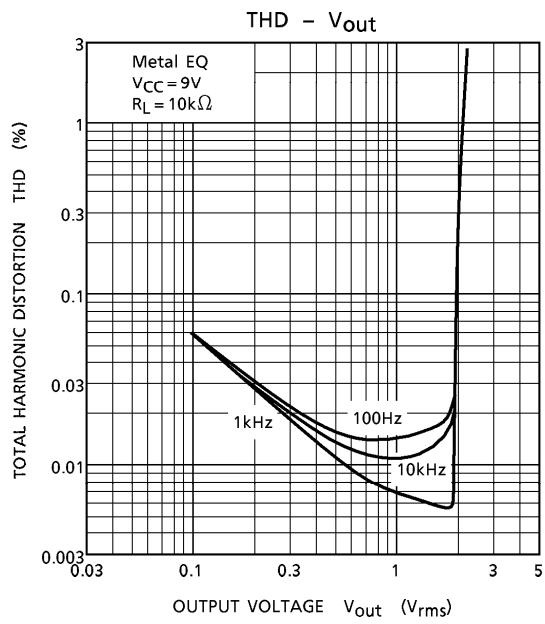
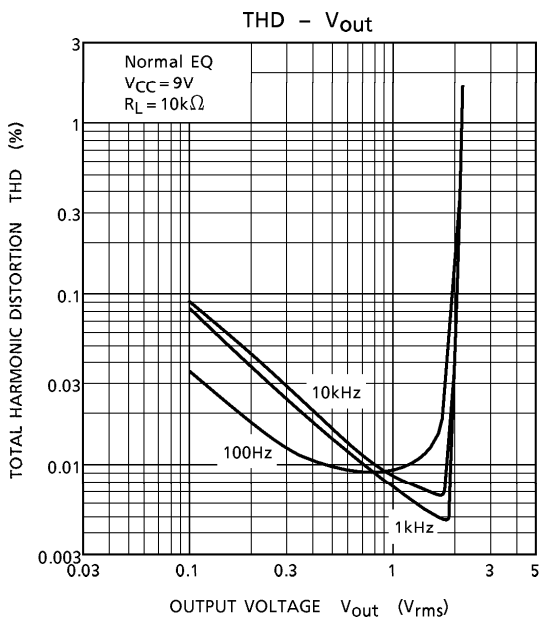
(Unless otherwise specified, $V_{CC} = 9V$, $f = 1kHz$, $R_L = 10k\Omega$, $R_g = 600\Omega$, $T_a = 25^\circ C$, Normal EQ)

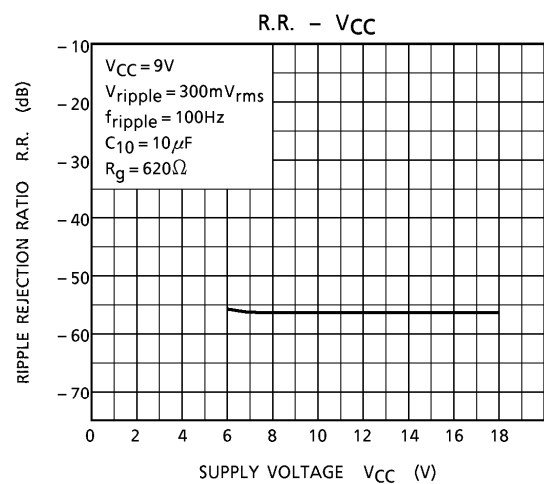
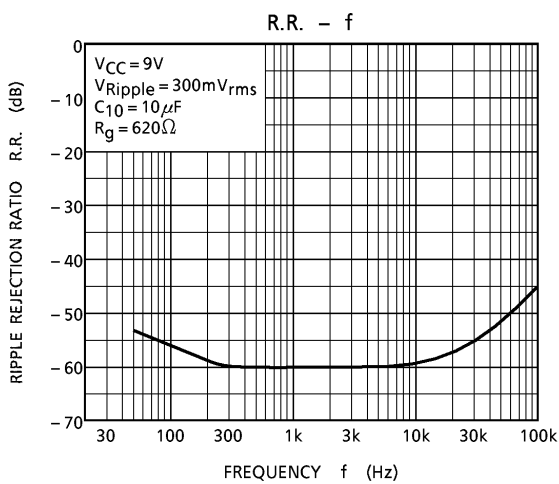
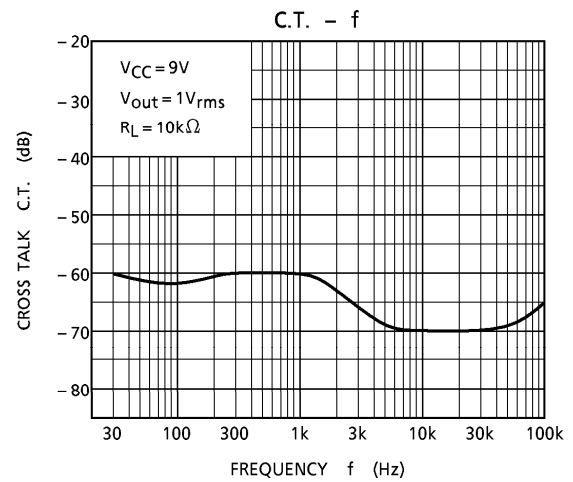
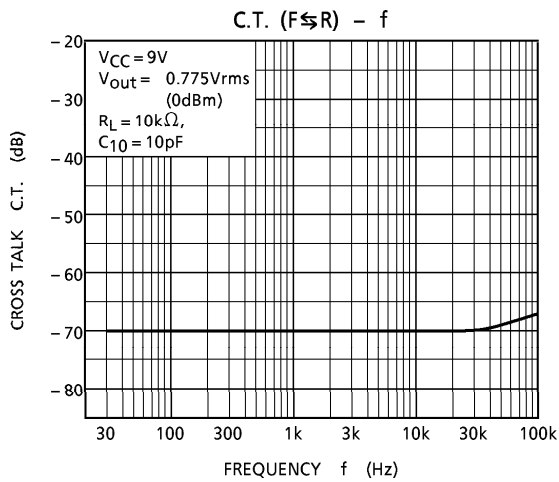
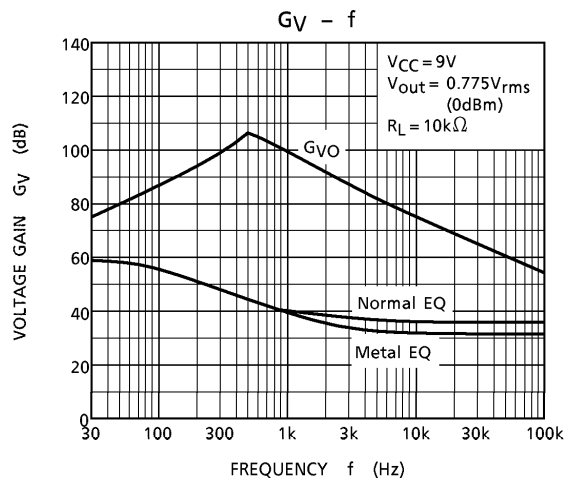
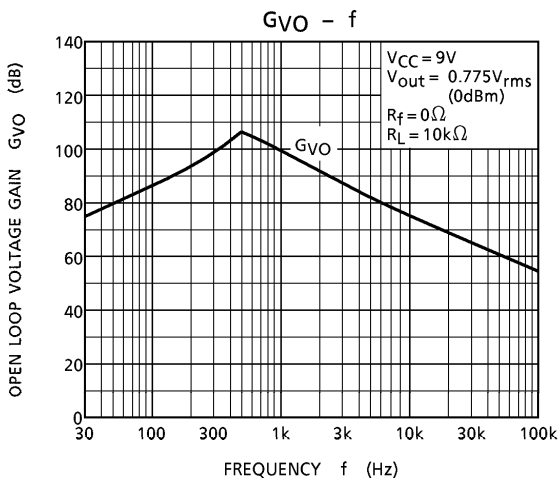
CHARACTERISTIC	SYMBOL	TEST CIRCUIT	TEST CONDITION	MIN.	TYP.	MAX.	UNIT
Quiescent Current	$I_{CCQ(1)}$	—	$V_{IN} = 0$, Normal EQ	—	6.0	—	mA
	$I_{CCQ(2)}$	—	$V_{IN} = 0$, Metal EQ	—	7.0	10.0	
Open Loop Voltage Gain	G_{VO}	—	$C_f = 100\mu F$, $R_f = 0$	—	100	—	dB
Maximum Output Voltage	V_{OM}	—	THD = 0.5%	1.5	2.1	—	V_{rms}
Total Harmonic Distortion	THD	—	$V_{OUT} = 0.5V_{rms}$	—	0.01	0.06	%
Equivalent Input Noise Voltage	V_{NI}	—	$R_g = 620\Omega$, NAB BW = 20Hz~20kHz	—	0.6	1.2	μV_{rms}
Input Resistance	R_{IN}	—	—	—	330	—	$k\Omega$
Ripple Rejection	R.R.	—	$f = 100Hz$, $V_{IN} = 1V_{rms}$	—	56	—	dB
Cross Talk	C.T.	—	$V_{OUT} = 0.775V_{rms}$ (0dBm)	50	60	—	dB
Forward / Reverse Cross Talk	C.T. (F/R)	—	$V_{OUT} = 0.775V_{rms}$ (0dBm)	60	70	—	dB

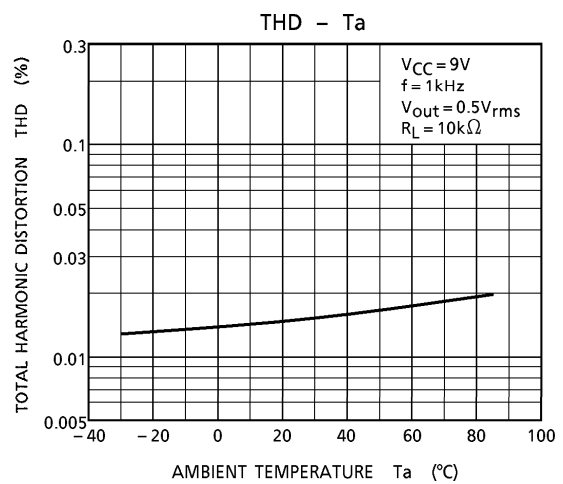
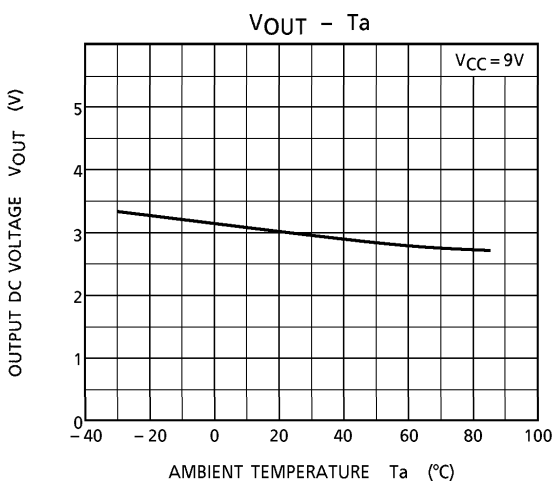
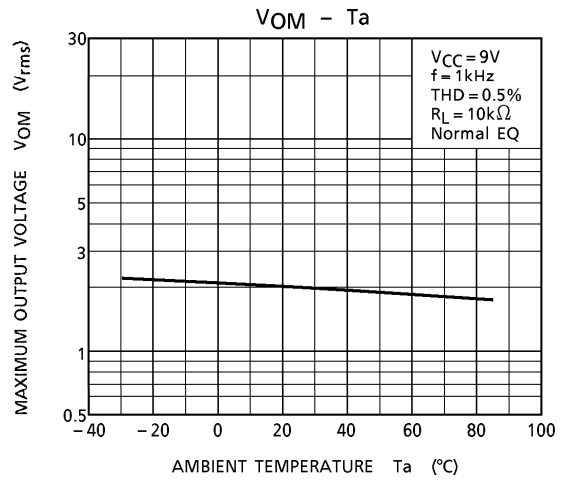
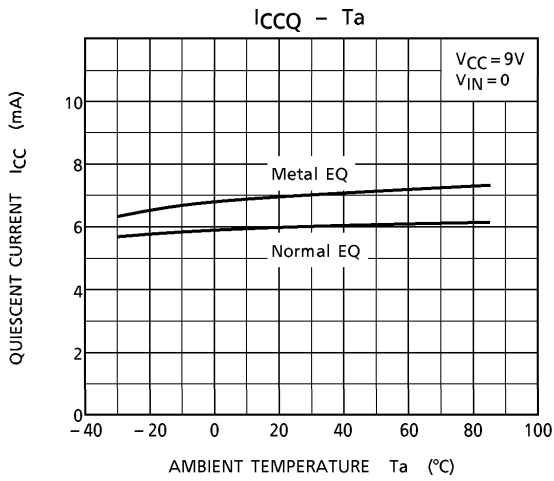
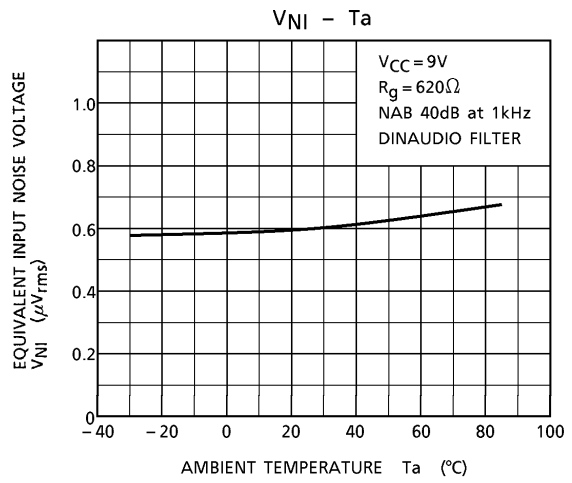
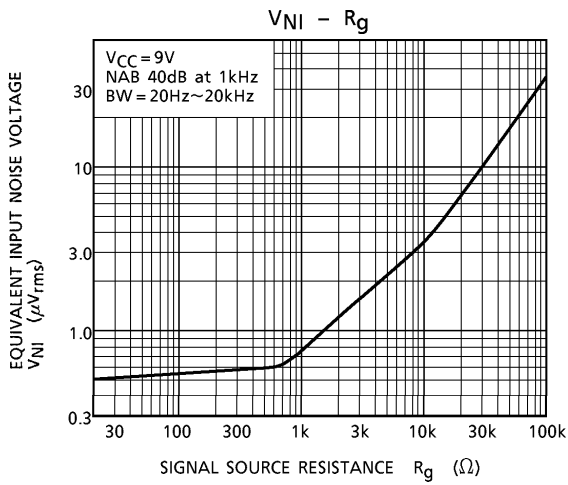
TEST CIRCUIT



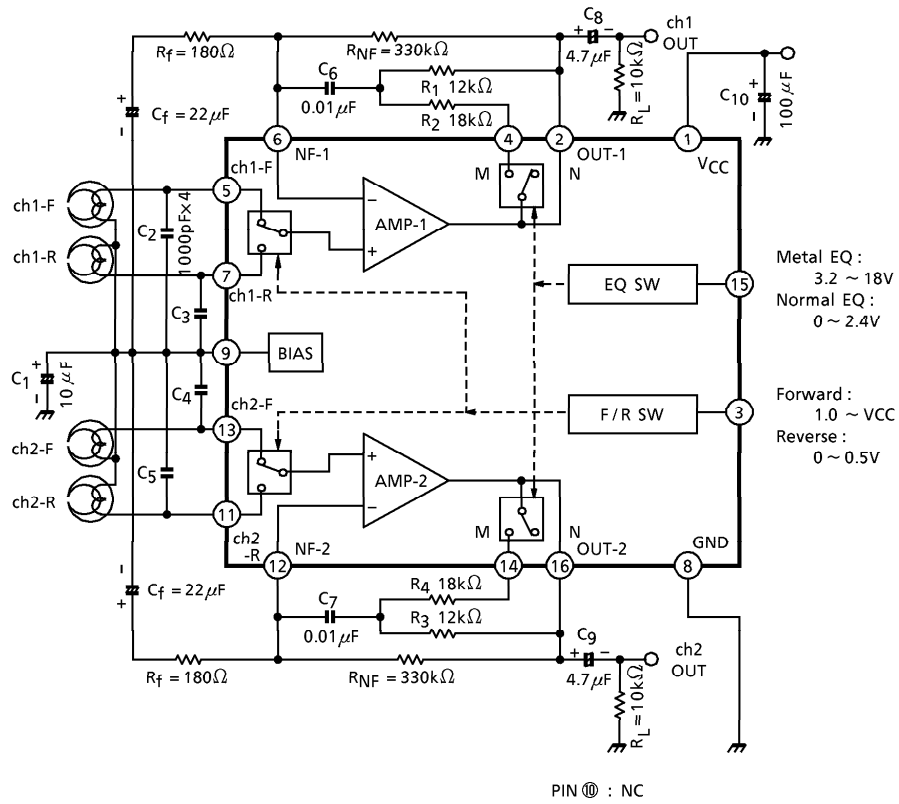
※ G_{VO} Test : SW1-1,2 = OFF, SW2-1,2 = b





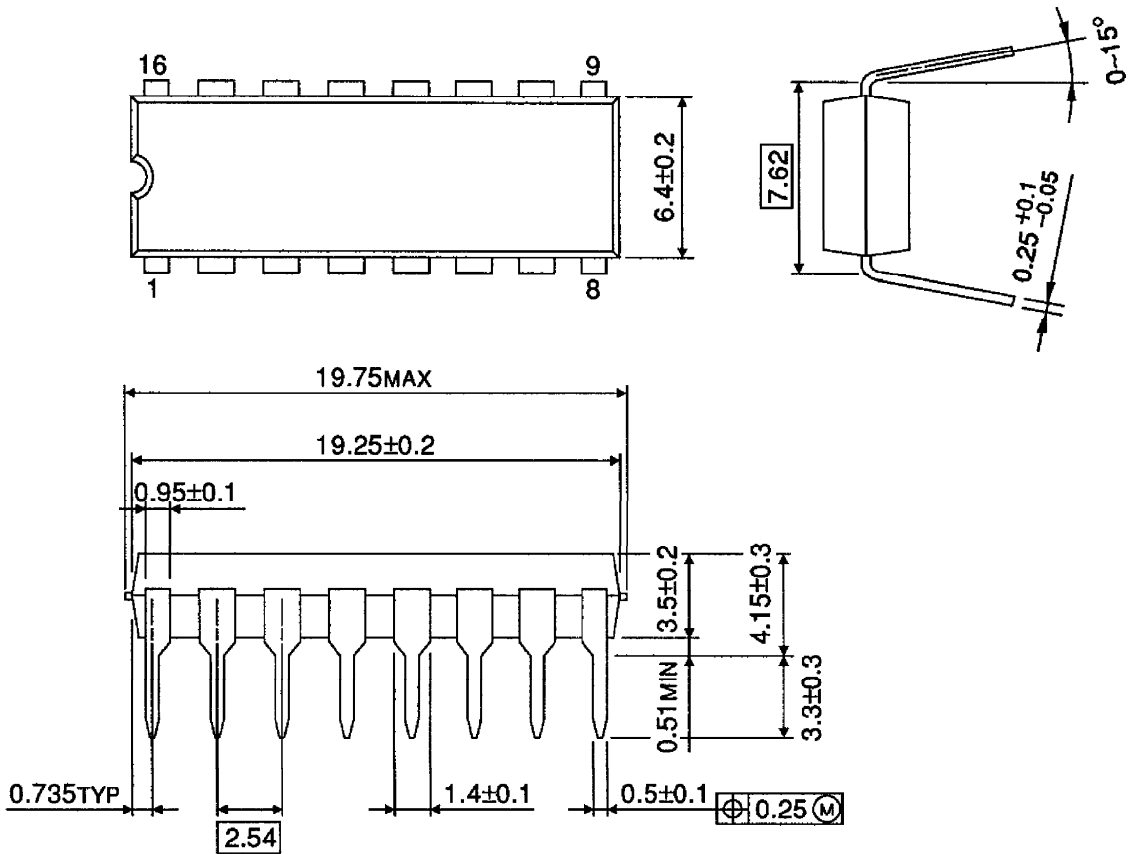


APPLICATION CIRCUIT



OUTLINE DRAWING
DIP16-P-300-2.54A

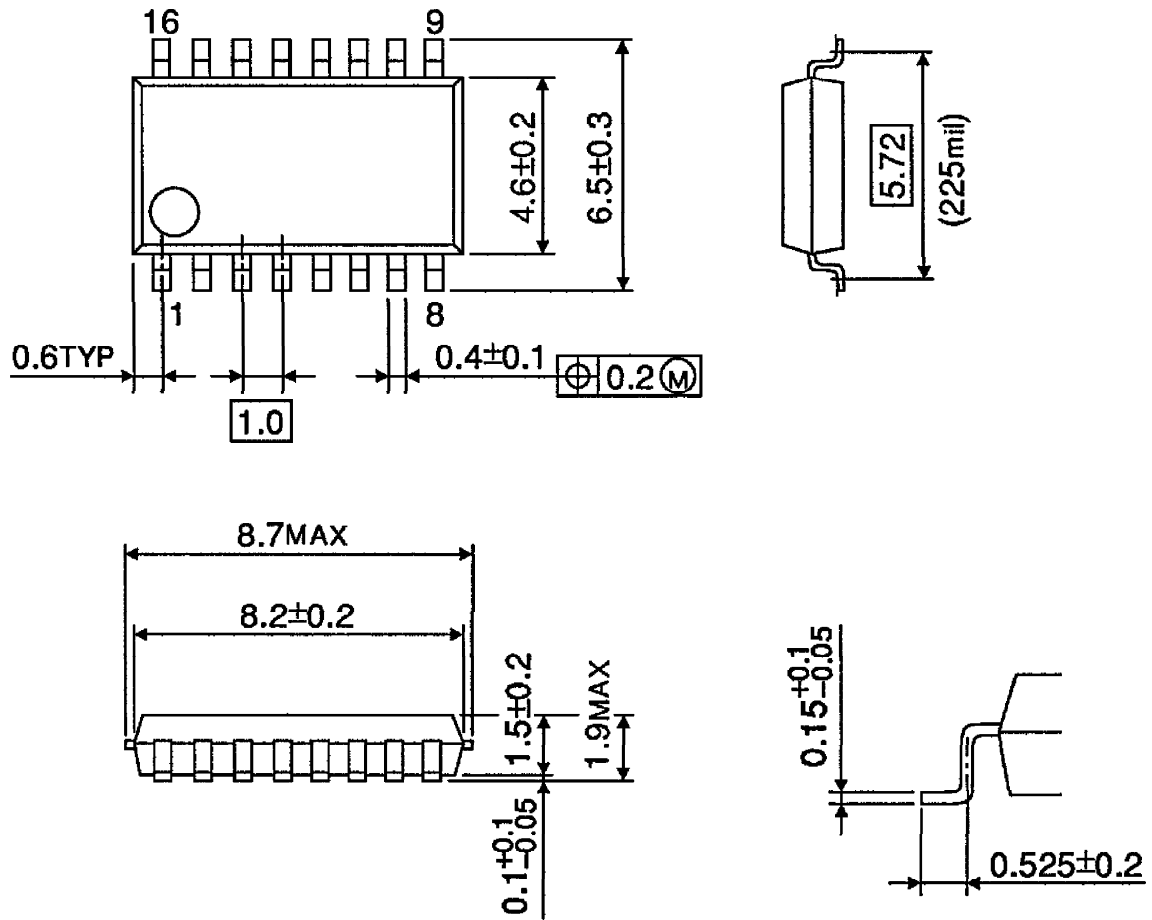
Unit : mm



Weight : 1.00g (Typ.)

OUTLINE DRAWING
SSOP16-P-225-1.00A

Unit : mm



Weight : 0.14g (Typ.)