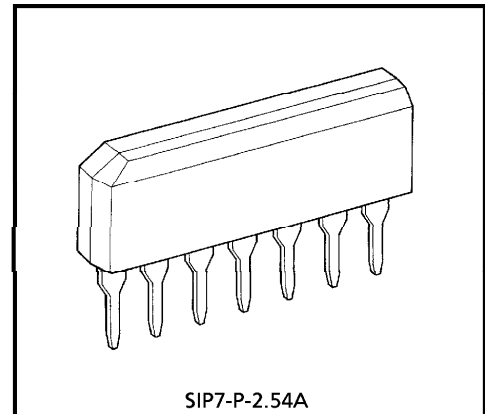


TOSHIBA BIPOLAR LINEAR INTEGRATED CIRCUIT SILICON MONOLITHIC

# TA8062AS

## DUAL HIGHSIDE DRIVER

The TA8062AS is a 0.3A highside driver containing two circuits in one package. The input level is TTL compatible so that the output can be controlled directly from CPU system and the like. Protective functions are built in to protect IC and load from destruction caused of over stress.

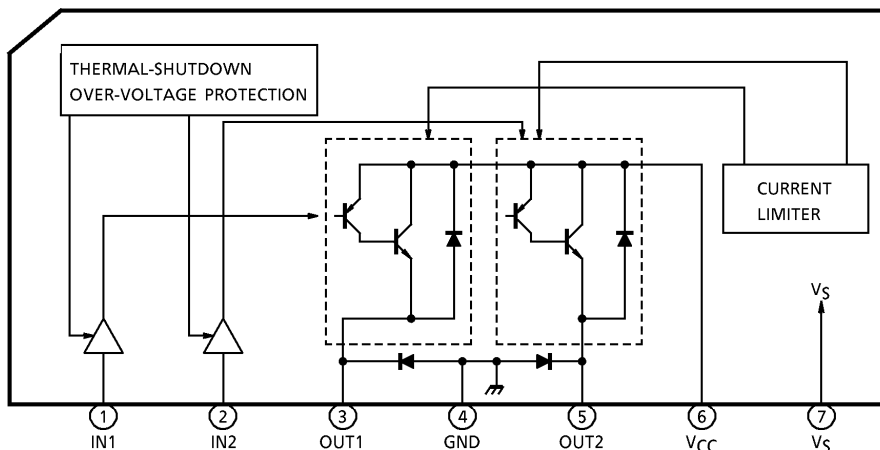


SIP7-P-2.54A  
Weight : 0.7g (Typ.)

### FEATURES

- 2 circuit in one package.
- Output current capacity : 0.3A
- Low Standby Current : 100 $\mu$ A (Max.)
- Protective function : Over-voltage Protection  
Current Limiter  
Thermal-Shutdown
- Separated Power Supply of Power Portion and Logic portion.
- Built-in Counter Electromotive Force Absorption Diodes.
- SIP7pin Plastic Package.

### BLOCK DIAGRAM AND PIN LAYOUT



961001EBA2

- TOSHIBA is continually working to improve the quality and the reliability of its products. Nevertheless, semiconductor devices in general can malfunction or fail due to their inherent electrical sensitivity and vulnerability to physical stress. It is the responsibility of the buyer, when utilizing TOSHIBA products, to observe standards of safety, and to avoid situations in which a malfunction or failure of a TOSHIBA product could cause loss of human life, bodily injury or damage to property. In developing your designs, please ensure that TOSHIBA products are used within specified operating ranges as set forth in the most recent products specifications. Also, please keep in mind the precautions and conditions set forth in the TOSHIBA Semiconductor Reliability Handbook.
- The products described in this document are subject to foreign exchange and foreign trade control laws.
- The information contained herein is presented only as a guide for the applications of our products. No responsibility is assumed by TOSHIBA CORPORATION for any infringements of intellectual property or other rights of the third parties which may result from its use. No license is granted by implication or otherwise under any intellectual property or other rights of TOSHIBA CORPORATION or others.
- The information contained herein is subject to change without notice.

PIN No.	SYMBOL	DESCRIPTION
1	IN1	These terminals control output condition. The input level is TTL Compatible. (IN1, IN2)→(Low, Low) : Low Standby Current Mode 100 $\mu$ A (Max.)
2	IN2	
3	OUT1	PNP-NPN complementary output pin with a current capacity of 0.3A. When the output pin is supplied with a current exceeding the detection current (typically 0.55A) because of load short-circuit, the output is limited to protect the IC.
5	OUT2	
4	GND	Grounded terminal.
6	V <sub>CC</sub>	Power supply terminal for the output part of IC. Built-in over-voltage function protects IC and load when the supplied voltage is higher than 30V.
7	V <sub>S</sub>	Power supply terminal for the control part of IC and this pin is separated from V <sub>CC</sub> .

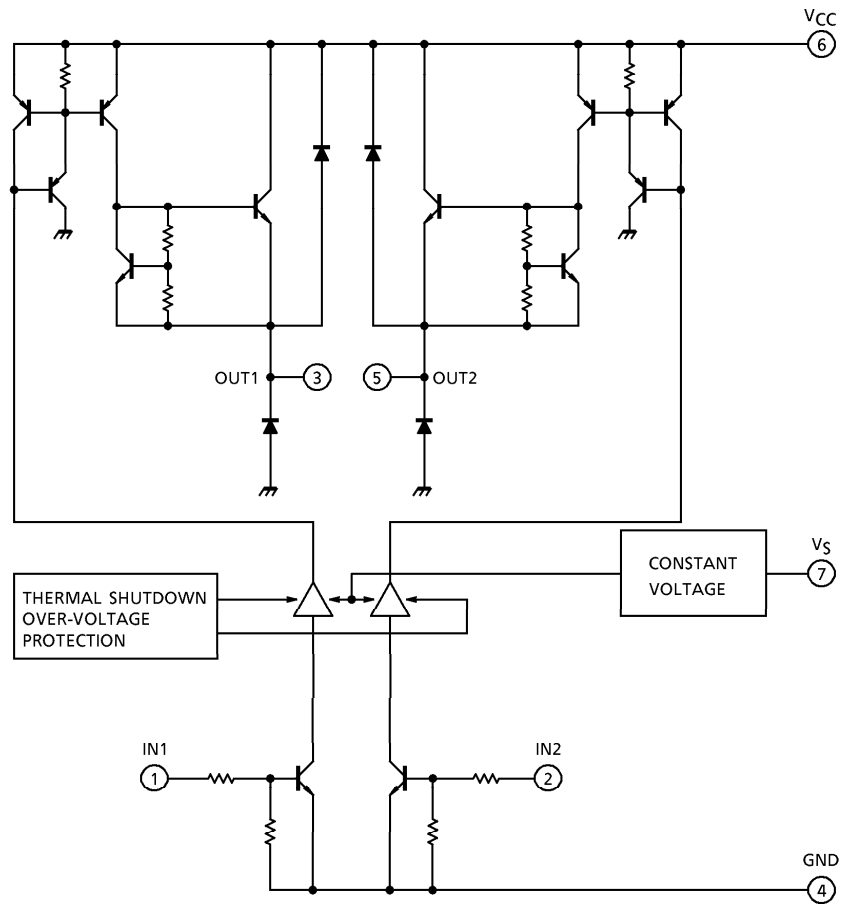
**MAXIMUM RATINGS** (Ta = 25°C)

CHARACTERISTIC	SYMBOL	RATING	UNIT
Supply Voltage	V <sub>CC</sub>	50 (1s)	V
Input Voltage	V <sub>IN</sub>	-0.3~V <sub>CC</sub> +0.3	V
Output Current	I <sub>OUT</sub>	300	mA
Power Dissipation	P <sub>D</sub>	0.92	W
Operating Temperature	T <sub>opr</sub>	-40~85	°C
Storage Temperature	T <sub>stg</sub>	-55~150	°C
Lead Temperature-Time	T <sub>sol</sub>	260 (10s)	°C

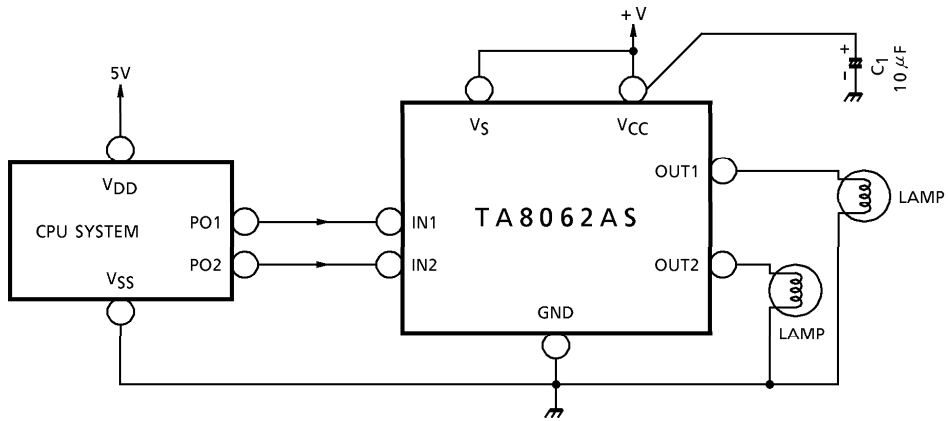
ELECTRICAL CHARACTERISTICS ( $V_S, V_{CC} = 8 \sim 16V, T_a = -40 \sim 85^\circ C$ )

CHARACTERISTIC	SYMBOL	PIN	TEST CIR-CUIT	TEST CONDITION	MIN.	TYP.	MAX.	UNIT
Supply Current ( I )	$I_{S1}$	$V_S$	—	(IN1, IN2) = (L, L)	—	—	0.05	mA
	$I_{S2}$		—	(IN1, IN2) = (L, H) or (H, L)	—	6	15	
	$I_{S3}$		—	(IN1, IN2) = (H, H)	—	9	20	
Supply Current (II)	$I_{CC1}$	$V_{CC}$	—	(IN1, IN2) = (L, L)	—	—	0.05	mA
	$I_{CC2}$		—	(IN1, IN2) = (L, H) or (H, L)	—	7.5	15	
	$I_{CC3}$		—	(IN1, IN2) = (H, H)	—	14	30	
Input Voltage	$V_{IL}$	IN1	—	—	—	—	0.8	V
	$V_{IH}$	/IN2	—	—	2.0	—	—	
Input Current	$I_{IL}$	IN1	—	$V_{IN} = 0.4V$	—	10	20	$\mu A$
	$I_{IH}$	/IN2	—	$V_{IN} = 5V$	—	170	350	
Output Saturation Voltage	$V_{sat}$	OUT1 / OUT2	—	$I_O = 300mA$	—	1.0	1.5	V
Output Leakage Current	$I_{LEAK}$	OUT1 / OUT2	—	$V_{out} = 0V$	-100	—	—	$\mu A$
Diode Forward Voltage	$V_F$	OUT1 / OUT2	—	$I_F = 200mA$	—	1.1	—	V
Output Limit Current	$I_{SC}$	OUT1 / OUT2	—	—	0.3	0.55	—	A
Shutdown Temperature	$T_{SD-H}$	OUT1 / OUT2	—	OUT = ON → OFF	—	150	—	$^\circ C$
	$T_{SD-L}$	OUT1 / OUT2	—	OUT = OFF → ON	—	130	—	
Over-Voltage Detection	$V_{SD}$	$V_{CC}$	—	—	27	30	33	V
Transfer Delay Time	$t_{pLH}$	—	—	—	—	1	10	$\mu s$
	$t_{pHL}$	—	—	—	—	1	10	

EQUIVALENT CIRCUIT



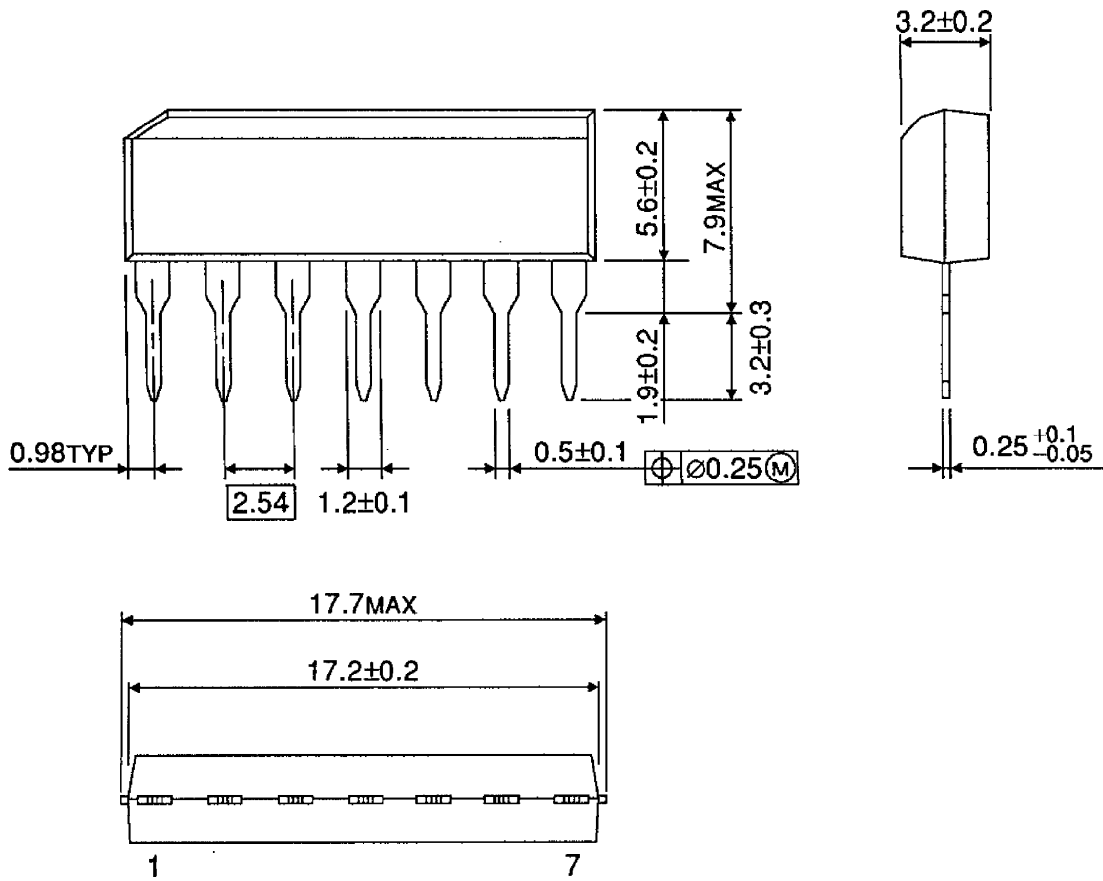
**APPLICATION CIRCUIT**



Cautions for wirings  
 C<sub>1</sub> is for absorbing disturbance, noise, etc.  
 Connect it as close to the IC as possible.

OUTLINE DRAWING  
SIP7-P-2.54A

Unit : mm



Weight : 0.7g (Typ.)