

TRUE DIGITAL AUDIO AMPLIFIER TAS5015 DIGITAL AUDIO PWM PROCESSOR

FEATURES

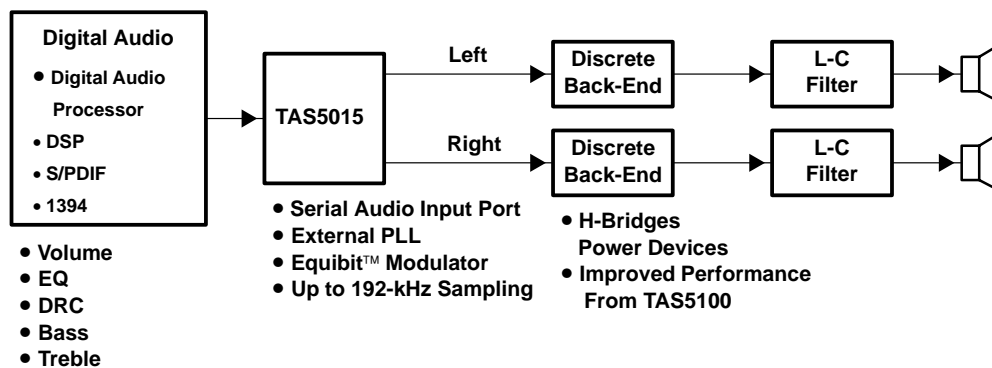
- **TAS5015 Plus Discrete Back-End TDAA System — High-Quality Digital Audio Amplification**
- **112-dB Dynamic Range (TAS5015 Device)**
- **THD+N < 0.01%**
- **Power Efficiency Is 90% into 8-Ω Load**
- **16-, 20-, or 24-Bit Input Data**
- **44.1-kHz, 48-kHz, 88.2-kHz, 96-kHz, 176.4-kHz, 192-kHz Sampling Rates**
- **Economical 48-Pin TQFP Package**
- **External PLL**
- **3.3-V Power Supply**
- **Mute**
- **Clicks and Pops Reduction (Patent Pending)**

APPLICATIONS

- **High-Performance Digital Amplification For:**
 - **Integrated Amplifiers**
 - **AV Receiver**
 - **Car Audio**

DESCRIPTION

The true digital audio amplifier (TDAA) is a new paradigm in digital audio. One TDAA system consists of the TAS5015 PCM-PWM modulator device plus a discrete back-end TDAA power output. This system accepts a serial PCM digital audio stream and converts it to a 3.3-V PWM audio stream (TAS5015). The discrete back-end TDAA then provides a large-signal PWM output. This digital PWM signal is then demodulated, providing power output for driving loudspeakers. This patented technology provides low-cost, high-quality, high-efficiency digital audio applicable to many audio systems developed for the digital age. The TAS5015 is an innovative, cost-effective, high-performance 24-bit stereo PCM-PWM modulator based on Equibit™ technology. The TAS5015 has a wide variety of serial input options including right-justified (16, 20, or 24 bits), IIS (16, 20, or 24 bits), left-justified (16 bits), or DSP (16 bits) data formats. It is fully compatible with AES standard sampling rates (Fs) of 44.1 kHz, 48 kHz, 88.2 kHz, 96 kHz, 176.4 kHz, and 192 kHz. The TAS5015 also provides a de-emphasis function for 44.1-kHz and 48-kHz sampling rates.

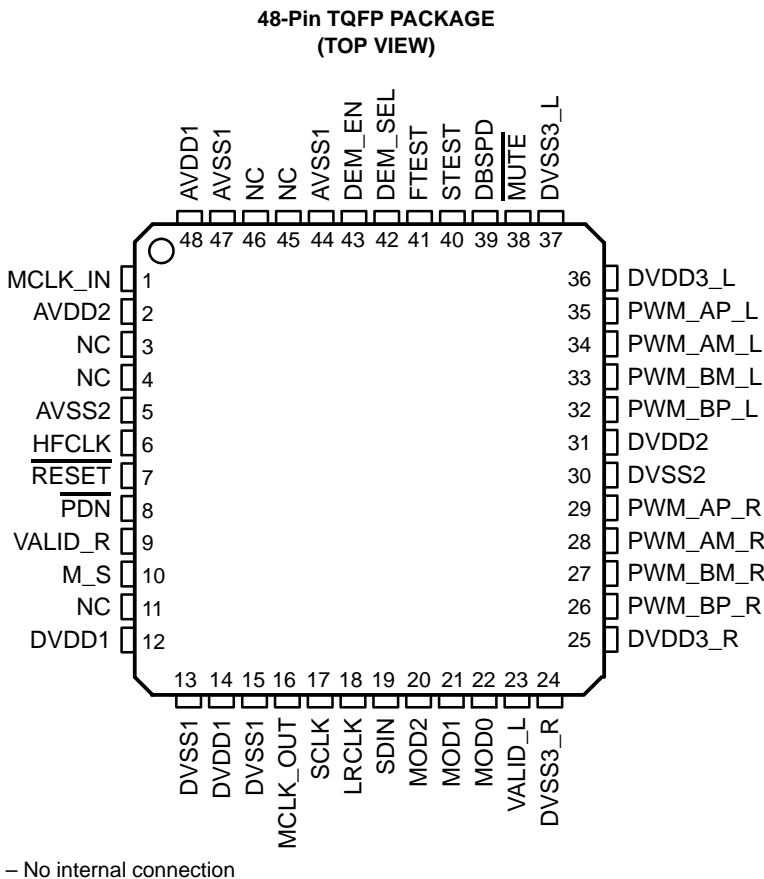


Please be aware that an important notice concerning availability, standard warranty, and use in critical applications of Texas Instruments semiconductor products and disclaimers thereto appears at the end of this data sheet.

Equibit is a trademark of Toccata Technology ApS, Denmark.

PRODUCTION DATA information is current as of publication date. Products conform to specifications per the terms of Texas Instruments standard warranty. Production processing does not necessarily include testing of all parameters.

terminal assignments

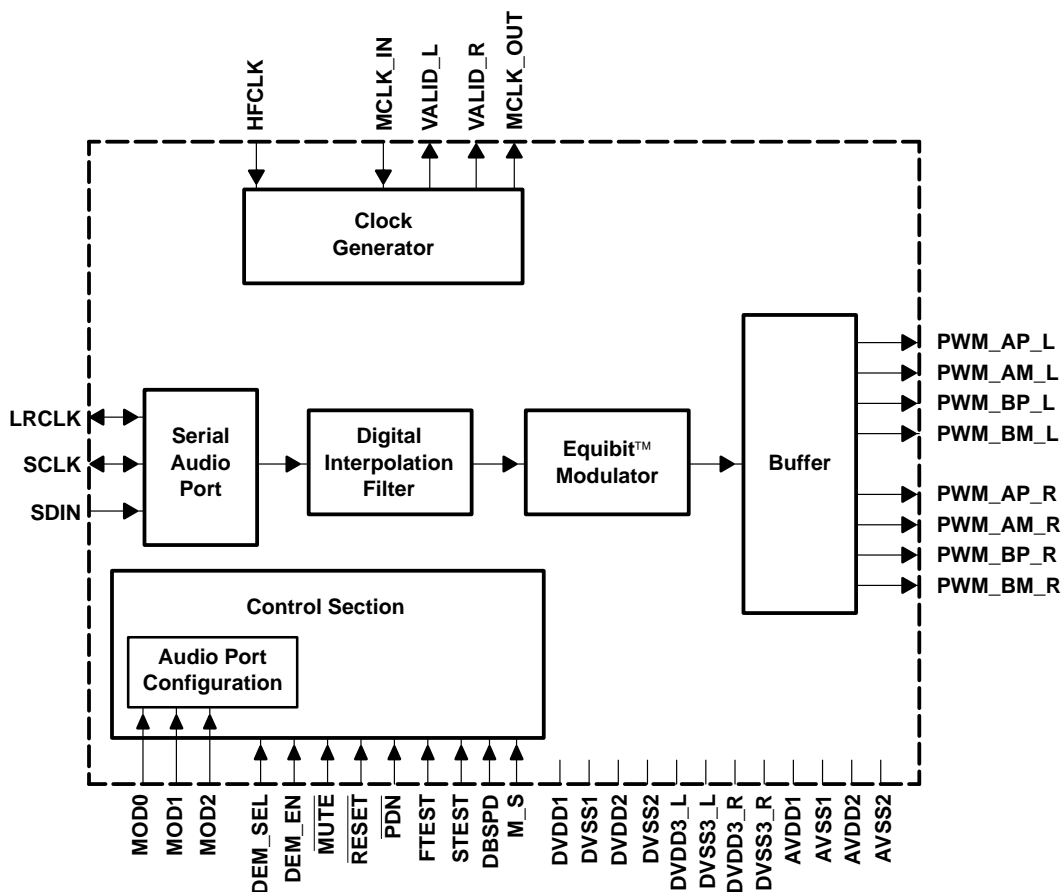


references

- *True Digital Audio Amplifier TAS5100 PWM Power Output Stage* – Texas Instruments publication SLLS419
- *Design Considerations for TAS5000/TAS5110 True Digital Audio Power Amplifiers* – Texas Instruments publication SLAA117
- *Digital Audio Measurements* – Texas Instruments publication SLAA114
- *PowerPAD™ Thermally Enhanced Package* – Texas Instruments publication SLMA002

PowerPAD is a trademark of Texas Instruments.

functional block diagram



AVAILABLE OPTIONS

T _A	PACKAGE
0°C to 70°C	TAS5015PFB
-40°C to 85°C	TAS5015IPFB

NOTE: These packages are available taped and reeled. Add R suffix to ordering number (e.g., TAS5015PFBR).

Terminal Functions

TERMINAL		I/O	DESCRIPTION
NAME	NO.		
AVDD1	48	I	Analog supply
AVDD2	2	I	Analog supply
AVSS1	44, 47	I	Analog ground
AVSS2	5	I	Analog ground
DBSPD	39	I	Indicates sample rate is double speed (88.2 kHz or 96 kHz), active high
DEM_EN	43	I	De-emphasis enable, active high
DEM_SEL	42	I	De-emphasis select (0 = 44.1 kHz, 1 = 48 kHz)
DVDD1	12, 14	I	Digital voltage supply for logic
DVDD2	31	I	Digital voltage supply for PWM reclocking
DVDD3_L	36	I	Digital voltage supply for PWM output (left)
DVDD3_R	25	I	Digital voltage supply for PWM output (right)
DVSS1	13, 15	I	Digital ground for logic
DVSS2	30	I	Digital ground for PWM reclocking
DVSS3_L	37	I	Digital ground for PWM output (left)
DVSS3_R	24	I	Digital ground for PWM output (right)
FTEST	41	I	Tied to DVSS1 for normal operation
HFCLK	6	I	External PLL clock input
LRCLK	18	I/O	Left/right clock (input when M_S = 0; output when M_S = 1)
MCLK_IN	1	I	MCLK input
MCLK_OUT	16	O	Buffered system clock output if M_S = 1; otherwise set to 0
MOD0	22	I	Serial interface selection pin, bit 0
MOD1	21	I	Serial interface selection pin, bit 1
MOD2	20	I	Serial interface selection pin, bit 2 (MSB)
M_S	10	I	Master/slave, master=1, slave=0
MUTE	38	I	Muted signal = 0, normal mode = 1
NC	3, 4, 11, 45, 46		No connection
PDN	8	I	Power down, active low
PWM_AM_L	34	O	PWM left output A (differential -)
PWM_AM_R	28	O	PWM right output A (differential -)
PWM_AP_L	35	O	PWM left output A (differential +)
PWM_AP_R	29	O	PWM right output A (differential +)
PWM_BM_L	33	O	PWM left output B (differential -)
PWM_BM_R	27	O	PWM right output B (differential -)
PWM_BP_L	32	O	PWM left output B (differential +)
PWM_BP_R	26	O	PWM right output B (differential +)
RESET	7	I	Reset (active low)
SCLK	17	I/O	Shift clock (input when M_S = 0, output when M_S = 1)
SDIN	19	I	Stereo serial audio data input
STEST	40	I	Tied to DVSS1 for normal operation
VALID_L	23	O	PWM left outputs valid (active high)
VALID_R	9	O	PWM right outputs valid (active high)

functional description

serial audio port

The serial audio port consists of a shift clock (SCLK pin), a left/right frame synchronization clock (LRCLK pin), and a data input (SDIN pin). The serial audio port supports standard serial PCM formats ($F_s = 44.1\text{-kHz}$, 48-kHz , 88.2-kHz , 96-kHz , 176.4-kHz , or 192-kHz stereo). See the *serial interface formats* section.

system clocks—master mode and slave mode

The TAS5015 allows multiple system clocking schemes. Master mode indicates that the TAS5015 provides system clocks to other parts of the system ($M_S=1$). Audio system clocks of frequency $128 F_s$ MCLK_OUT (quad speed), $64 F_s$ SCLK, and F_s LRCLK are output from this device when it is configured in master mode. Slave mode indicates that a system master other than the TAS5015 provides system clocks (LRCLK, SCLK, and MCLK_IN) to the TAS5015 ($M_S = 0$). The TAS5015 operates with LRCLK and SCLK synchronized to MCLK. The TAS5015 does not require any specific phase relationship between LRCLK and MCLK, but there must be synchronization. In the slave mode, MCLK_OUT is driven low. Table 1 shows all the possible master and slave modes.

sampling frequency

The normal sampling frequency is either 11.2896 MHz ($F_s = 44.1\text{ kHz}$) or 12.288 MHz ($F_s = 48\text{ kHz}$). Twice the normal sampling frequency can be selected by using the DBSPD pin which allows usage of $F_s = 88.2\text{ kHz}$ or $F_s = 96\text{ kHz}$. In the double-speed slave mode ($DBSPD = 1$, $M_S = 0$), the external clock input is either 22.5796 MHz ($F_s = 88.2\text{ kHz}$) or 24.576 MHz ($F_s = 96\text{ kHz}$). Table 1 explains the proper clock selection.

Table 1. External Clock and External PLL Functions

DESCRIPTION	M_S	DBSPD	DEM_EN	DEM_SEL	MCLK_IN (MHz)	HFCLK (MHz)	SCLK (MHz)	LRCLK (KHz)	MCLK_OUT (MHz)
External PLL, master, normal speed (see Notes 1 and 2)	1	0	0	0	–	90.3168	2.8224	44.1	11.2896
			1	0					
External PLL, master, normal speed (see Notes 1 and 2)	1	0	1	1	–	98.304	3.072	48	12.288
			0	0					
External PLL, master, double speed (see Notes 1 and 2)	1	1	0	0	–	90.3168	5.6448	88.2	22.5792
External PLL, master, double speed (see Note 1 and 2)	1	1	0	0	–	98.304	6.144	96	24.576
External PLL, master, quad speed (see Notes 1 and 2)	1	0	0	1	–	90.3168	11.2896	176.4	22.5792
External PLL, master, quad speed (see Notes 1 and 2)	1	0	0	1	–	98.304	12.288	192	24.576
External PLL, slave, normal speed (see Notes 3, 4, and 5)	0	0	0	0	11.2896	90.3168	2.8224	44.1	11.2896
			1	0					
External PLL, slave, normal speed (see Notes 3, 4, and 5)	0	0	1	1	12.288	98.304	3.072	48	12.288
			0	0					

- NOTES:
1. SCLK and LRCLK are outputs
 2. MCLK_IN tied LOW
 3. External MCLK connected to MCLK_IN input
 4. SCLK and LRCLK are inputs
 5. MCLK_OUT is a buffered version of the external MCLK input

functional description (continued)

Table 1. External Clock and External PLL Functions (Continued)

DESCRIPTION	M_S	DBSPD	DEM_EN	DEM_SEL	MCLK_IN (MHz)	HFCLK (MHz)	SCLK (MHz)	LRCLK (kHz)	MCLK_OUT (MHz)
External PLL, slave, double speed (see Notes 3, 4, and 5)	0	1	0	0	22.5792	90.3168	5.6448	88.2	22.5792
External PLL, slave, double speed (see Notes 3, 4, and 5)	0	1	0	0	24.576	98.304	6.144	96	24.576
External PLL, slave, quad speed (see Notes 3, 4, and 5)	0	0	0	0	22.5792	90.3168	11.2896	176.4	22.5792
External PLL, slave, quad speed (see Notes 3, 4, and 5)	0	0	0	0	24.576	98.304	12.288	192	24.576

- NOTES:
- 3. External MCLK connected to MCLK_IN input
 - 4. SCLK and LRCLK are inputs
 - 5. MCLK_OUT is a buffered version of the external MCLK input

external PLL

For the highest system performance, an external PLL must be used with the TAS5015. For normal-speed mode, the external PLL input (HFCLK) must be 2048 Fs, for double-speed mode HFCLK must be 1024 Fs, and for quad-speed mode HFCLK must be 512 Fs.

digital interpolation filter

The 24-bit high-performance linear phase FIR interpolation filter up-samples the input digital data at a rate of two times (quad-speed mode = 176.4 kHz or 192 kHz), four times (double-speed mode = 88.2 kHz or 96 kHz), or eight times (normal mode = 44.1 kHz or 48 kHz) the incoming sample rate. This filter provides low pass-band ripple and optimized time domain transient response for accurate music reproduction.

digital PWM modulator

The interpolation filter output is sent to the digital PWM modulator. This modulator consists of a high-performance fourth order digital-noise shaper and a PCM-to-PWM converter. Following the noise shaper, the PCM signal is fed into a low distortion PCM-to-PWM conversion block, buffered, and output from the chip. The modulation scheme is based on a 2-state control of the H-bridge output.

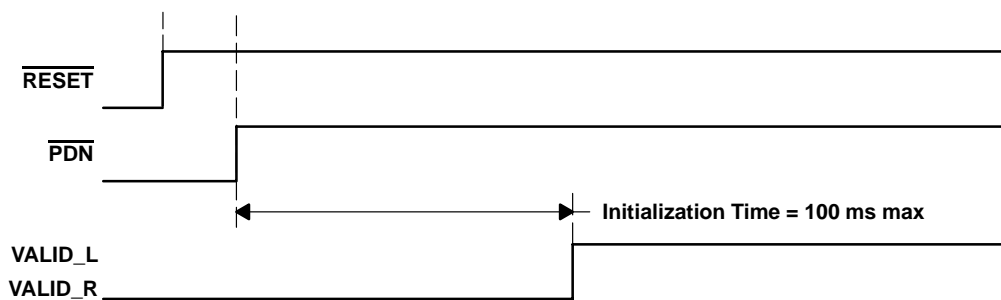
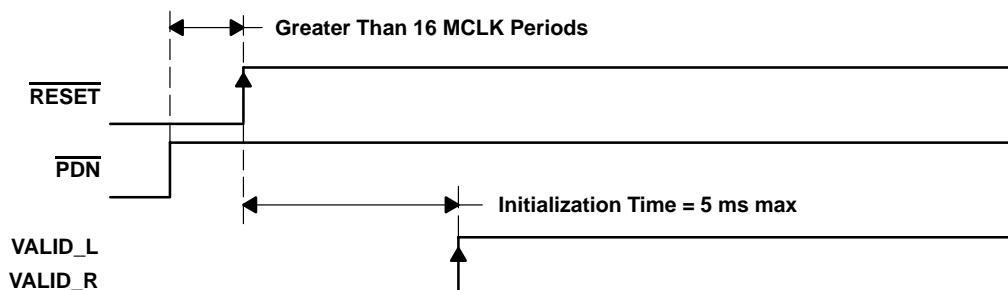
control, status, and operational modes

The TAS5015 control section consists of several control-input pins. Three serial mode pins (MOD0, MOD1, and MOD2) are provided to select various serial data formats. During normal operating conditions if any of the MOD0, MOD1, or MOD2 pins changes state, a reset sequence is initiated. Also provided are separate power-down (PDN), reset (RESET), and mute (MUTE) pins.

power up

At power up, the VALID_L and VALID_R pins are asserted low and the PWM outputs go to the hard mute state in which the P outputs are held low and the M outputs are held high. Following initialization, the TAS5015 comes up in the operational state (differential PWM audio). There are two cases of power-up timing. The first case is shown in Figure 1 with RESET preceding PDN. The second case is shown in Figure 2 with PDN preceding RESET.

functional description (continued)

Figure 1. Power-Up Timing ($\overline{\text{RESET}}$ Preceding $\overline{\text{PDN}}$)Figure 2. Power-Up Timing ($\overline{\text{PDN}}$ Preceding $\overline{\text{RESET}}$)

reset

The reset signal for the TAS5015 must be applied whenever toggling the M_S, DBSPD signal. This reset is asynchronous. See Figure 3 for reset timing. To initiate the reset sequence the $\overline{\text{RESET}}$ pin is asserted low. As long as the pin is held low the chip is in the reset state. During this reset time, the PWM outputs are hard-muted (P-outputs held low and M-outputs held high) and the PWM outputs valid pins (VALID_L, VALID_R) are held low. Assuming PDN is high, the rising edge of the reset pulse begins chip initialization. After the initialization time, the TAS5015 begins normal operation.

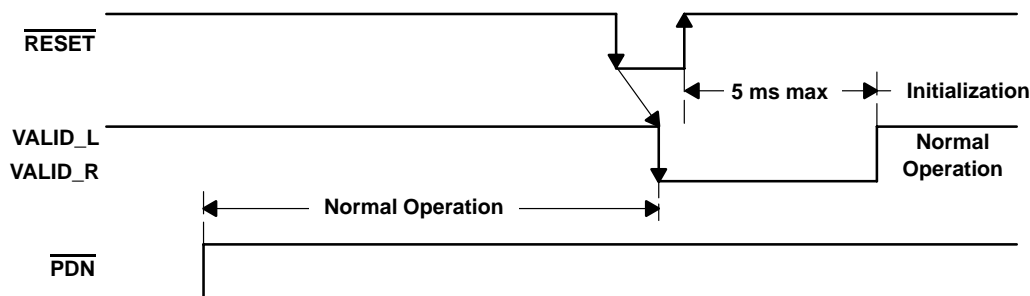


Figure 3. Reset Timing

power down

Note that power down is an asynchronous operation. To place the device in total power-down mode, both $\overline{\text{RESET}}$ and $\overline{\text{PDN}}$ must be held low. As long as these pins are held low, the chip is in the power-down state and the PWM outputs are hard muted with the P outputs held low and the M outputs held high. To place the device back into normal mode, see the *power up* section.

NOTE:

In order for the dynamic logic to be properly powered down, the clocks should not be stopped before the PDN pin goes low. Otherwise, the device may drain additional supply current.

functional description (continued)

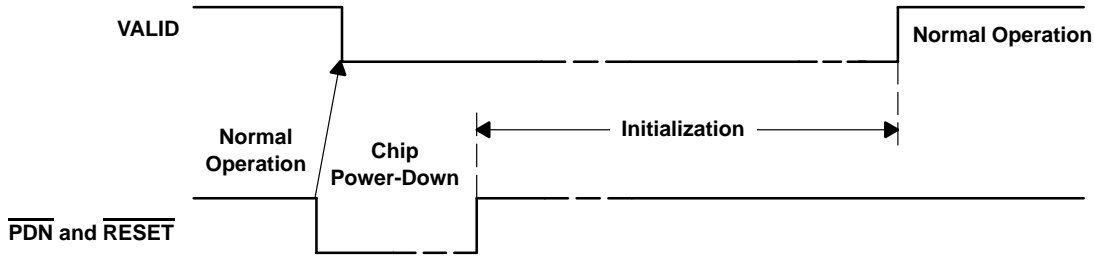


Figure 4. Power-Down Timing

mute

The TAS5015 provides a mute function that is used when the $\overline{\text{MUTE}}$ pin is asserted low. See Table 2 for mute description. This mute is a quiet mute; that is, the mute is accomplished by outputting a zero value waveform in which both sides of the differential PWM outputs have a 50% duty cycle (see Figure 5 for mute timing).

Table 2. Mute Description

$\overline{\text{MUTE}}$	P OUTPUTS	M OUTPUTS	DESCRIPTION
0	50% duty cycle	50% duty cycle	Mute
1	DATA	DATA	Normal operation

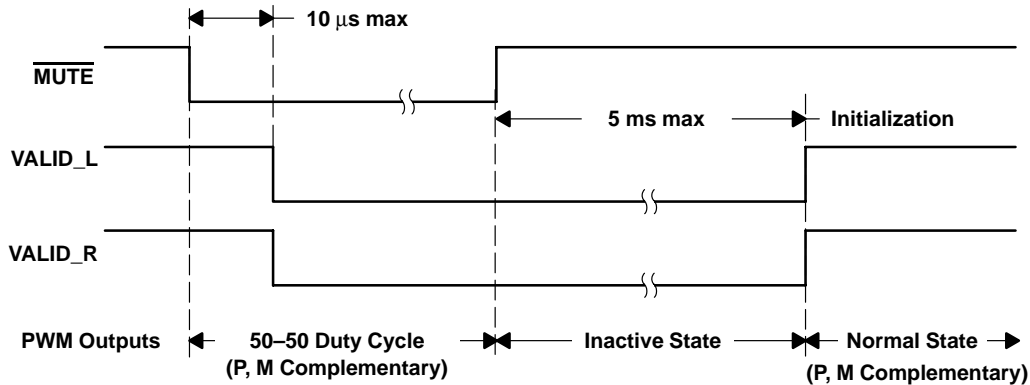


Figure 5. Mute Timing

double speed

Double-speed mode is used to support sampling rates of 88.2 kHz and 96 kHz. In order to put the TAS5015 in double-speed mode with the device in normal operating conditions, the $\overline{\text{RESET}}$ pin must be held low while switching the DBSPD pin high. After the $\overline{\text{RESET}}$ pin is brought high again, a reset sequence takes place. If the change is at power up, a power-up sequence is originated.

quad speed

Quad-speed mode is used to support sampling rates of 176.4 kHz and 192 kHz. In order to put the TAS5015 in quad-speed slave mode, M_S and DBPSB pins are brought low. Quad-speed mode is then automatically detected due to the fact that it is the only mode in which MCLK_IN is 128 Fs. DEM_SEL must be set to low when operating in the quad-speed slave mode. For quad-speed master mode M_S = 1, DBSPD = 0, DEM_SEL = 1, and DEM_EN = 0.

functional description (continued)

de-emphasis filter

For audio sources that have been preemphasized, a precision 50 μ s/15 μ s de-emphasis filter is provided to support the sampling rates of 44.1 kHz and 48 kHz. Pins DEM_SEL and DEM_EN select the de-emphasis functions. See Figure 6 for a graph showing the de-emphasis filtering characteristics. See Table 3 for de-emphasis selection.

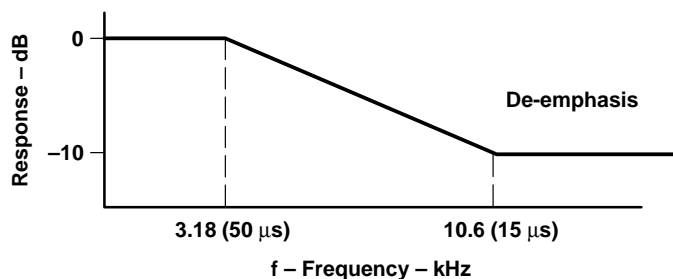


Figure 6. De-Emphasis Filter Characteristics

de-emphasis selection

De-emphasis selection is accomplished by using the DEM_SEL and DEM_EN pins. See Table 3 for de-emphasis selection description.

Table 3. De-Emphasis Selection

DEM_SEL	DEM_EN	DESCRIPTION
0	0	De-emphasis disabled
0	1	De-emphasis enabled for $F_s = 44.1$ kHz
1	1	De-emphasis enabled for $F_s = 48$ kHz
1	0	Disallowed state. Do not use.

error status reporting (VALID_L and VALID_R)

The following is a list of the error conditions that will cause the VALID_L and VALID_R pins to be asserted low.

- No clocks
- Clock phase errors

When either of the above conditions is met, the VALID_L and VALID_R goes low and the PWM outputs go to the hard mute state. If the error condition is removed, the TAS5015 is reinitialized and the VALID_L and VALID_R pins are asserted high.

serial interface formats

The TAS5015 is compatible with eight different serial interfaces. Available interface options are IIS, right justified, left justified, and DSP frame. Table 4 indicates how these options are selected using the MOD0, MOD1, and MOD2 pins.

functional description (continued)

Table 4. Hardware Selection of Serial Audio Modes

MODE	MOD2 PIN	MOD1 PIN	MOD0 PIN	SERIAL INTERFACE SDIN
0	0	0	0	16-bit, MSB first; right justified
1	0	0	1	20-bit, MSB first; right justified
2	0	1	0	24-bit, MSB first; right justified
3	0	1	1	16-bit IIS
4	1	0	0	20-bit IIS
5	1	0	1	24-bit IIS
6	1	1	0	16-bit MSB first, left justified
7	1	1	1	16-bit DSP frame

The following figures illustrate the relationship between the SCLK, LRCLK, and the serial data I/O for the different interface protocols. Note that there are always 64 SCLKs per LRCLK. The nondata bits are padded with binary 0s.

MSB first, right-justified (for 16, 20, 24 bits)

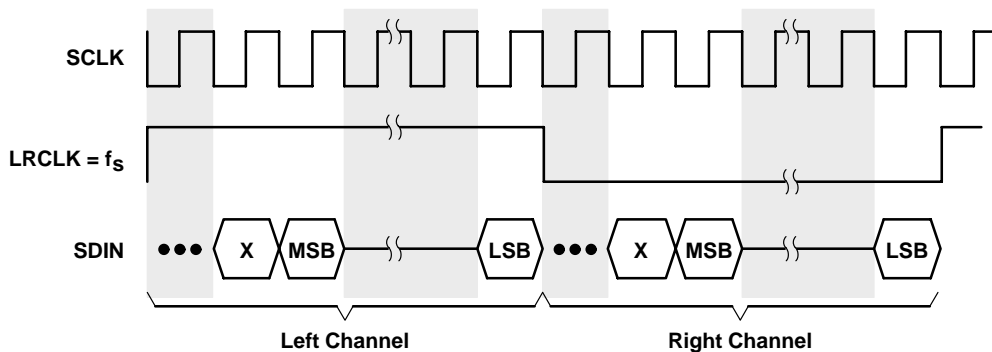


Figure 7. MSB First Right Justified

Note the following characteristics of this protocol.

- Left channel is received when LRCLK is high.
- Right channel is received when LRCLK is low.
- SDIN is sampled at the rising edge of SCLK.

functional description (continued)

IIS compatible serial format (for 16, 20, 24 bits)

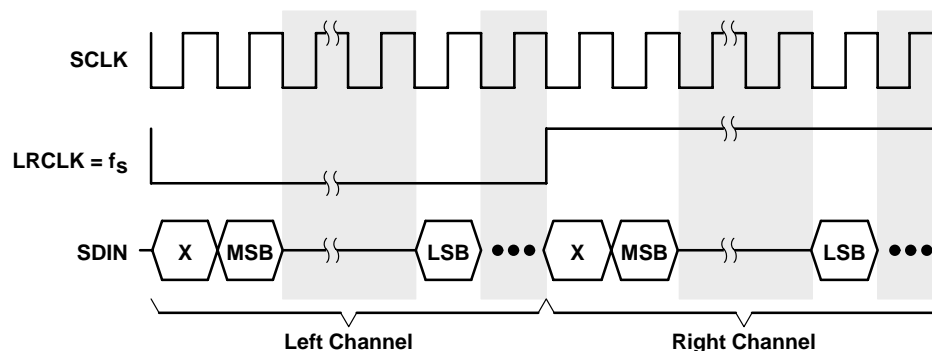


Figure 8. IIS Compatible Serial Format

Note the following characteristics of this protocol.

- Left channel is received when LRCLK is low.
- Right channel is received when LRCLK is high.
- SDIN is sampled with the rising edge of the SCLK.

MSB left-justified serial interface format (for 16 bits)

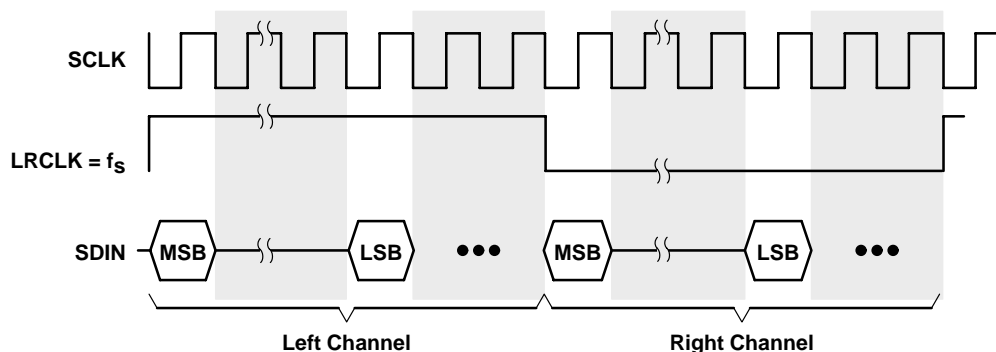


Figure 9. MSB Left-Justified Serial Interface Format

Note the following characteristics of this protocol.

- Left channel is received when LRCLK is high.
- Right channel is received when LRCLK is low.
- SDIN is sampled at the rising edge of SCLK.

functional description (continued)

DSP compatible serial interface format (for 16 bits)

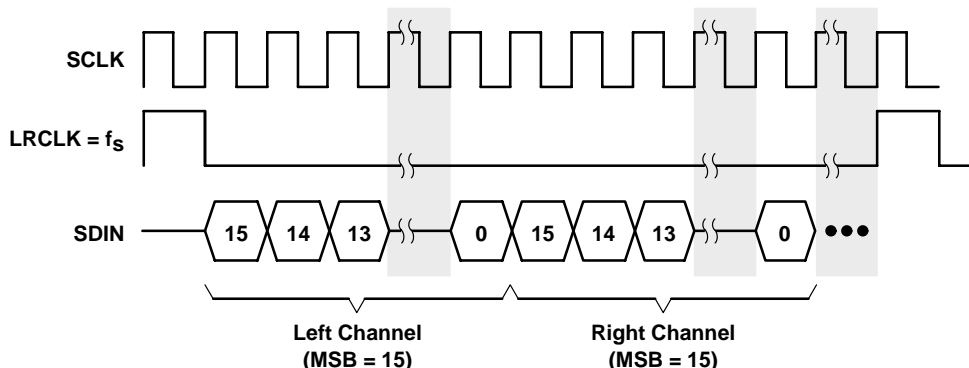


Figure 10. DSP Compatible Serial Interface Format

Note the following characteristic of this protocol.

- Serial data is sampled with the falling edge of SCLK.

PWM Outputs

The TAS5015 is designed to be used with a discrete back-end. The TAS5015 PWM outputs provide differential 3.3-V square-wave signals. During normal operation these outputs represent the input PCM audio in the pulse-width modulation scheme. In the hard-mute state the P outputs (PWM_AP_L, PWM_BP_L, PWM_AP_R, and PWM_BP_R) are held low and the M outputs (PWM_AM_L, PWM_BM_L, PWM_AM_R, and PWM_BM_R) are held high. In the quiet-mute state the differential PWM outputs have a 50% duty cycle.

absolute maximum ratings over operating free-air temperature (unless otherwise noted)†

Analog supply voltage range, AVDD1, AVDD2	-0.3 V to 4.2 V
Digital power supply voltage, DVDD1, DVDD2, DVDD3_L, DVDD3_R	-0.3 V to 4.2 V
Digital input voltage, V _I (see Note 6)	-0.3 V to DVDDX + 0.3 V
Operating free-air temperature, T _A	0°C to 70°C
Storage temperature, T _{stg}	-65°C to 150°C
ESD	2000 V

† Stresses beyond those listed under “absolute maximum ratings” may cause permanent damage to the device. These are stress ratings only, and functional operation of the device at these or any other conditions beyond those indicated under “recommended operating conditions” is not implied. Exposure to absolute-maximum-rated conditions for extended periods may affect device reliability.

NOTE 6: DVDD1, DVDD2, DVDD3_L, DVDD3_R.

recommended operating conditions, $T_A = 25^\circ\text{C}$,
 $DVDD1 = DVDD2 = DVDD3_L = DVDD3_R = 3.3\text{ V} \pm 10\%$, $AVDD1 = AVDD2 = 3.3\text{ V} \pm 10\%$, $F_s = 44.1\text{ kHz}$

			MIN	TYP	MAX	UNIT
Supply voltage	Digital	DVDDX [†]	3	3.3	3.6	V
	Analog	AVDDX [§]				
Supply current	Digital	Operating	22			mA
		Power down [‡]	10	20		μA
	Analog	Operating	1			mA
		Power down [‡]	10	100		μA
Power dissipation	Digital	Operating	59.4			mW
		Power down [‡]	6.6	72		μW
	Analog	Operating	3.3			mW
		Power down [‡]	33	360		μW

[†] DVDD1, DVDD2, DVDD3_L, DVDD3_R

[‡] If the clocks are turned off

[§] AVDD1, AVDD2

electrical characteristics, $T_A = 25^\circ\text{C}$, $DVDD1 = DVDD2 = DVDD3_L = DVDD3_R = 3.3\text{ V} \pm 10\%$,
 $AVDD1 = AVDD2 = 3.3\text{ V} \pm 10\%$

static digital specifications

PARAMETER		TEST CONDITIONS	MIN	TYP	MAX	UNIT
V_{IH}	High-level input voltage		2		DVDD1	V
V_{IL}	Low-level input voltage		0		0.8	V
V_{OH}	High-level output voltage	$I_O = -1\text{ mA}$	2.4			V
V_{OL}	Low-level output voltage	$I_O = 4\text{ mA}$			0.4	V
	Input leakage current		-10		10	μA

digital interpolation filter and PWM modulator, $F_s = 44.1\text{ kHz}$

PARAMETER		TEST CONDITIONS	MIN	TYP	MAX	UNIT
Pass band			0		20	kHz
Pass-band ripple				± 0.012		dB
Stop band				24.1		kHz
Stop-band attenuation		24.1 kHz to 152.3 kHz	50			dB
Group delay				700		μS
PWM modulation index (gain)				0.93		dB

TAS5015/TAS5110 system performance measured at the speaker terminals

See the *Design Consideration for TAS5000/TAS5100 True Digital Audio Power Amplifiers* application note, Texas Instruments literature number SLAA117 for values.

**switching characteristics, $T_A = 25^\circ\text{C}$,
 $DVDD1 = DVDD2 = DVDD3_L = DVDD3_R = AVDD1 = AVDD2 = 3.3\text{ V} \pm 10\%$**

serial audio ports slave mode

PARAMETER		MIN	TYP	MAX	UNIT
$f(\text{SCLK})$	SCLK frequency			12.288	MHz
$t_{\text{su}}(\text{SDIN})$	SDIN setup time before SCLK rising edge	20			ns
$t_{\text{h}}(\text{SDIN})$	SDIN hold time from SCLK rising edge	10			ns
$f(\text{LRCLK})$	LRCLK frequency	44.1	48	192	kHz
	MCLK duty cycle		50%		
	SCLK duty cycle		50%		
	LRCLK duty cycle		50%		
$t_{\text{su}}(\text{LRCLK})$	LRCLK edge setup before SCLK rising edge	20			ns

serial audio ports master mode, $C_L = 50\text{ pF}$

PARAMETER		MIN	TYP	MAX	UNIT
$t(\text{MSD})$	MCLK to SCLK	0		5	ns
$t(\text{MLRD})$	MLCK to LRCLK	0		5	ns

DSP serial interface mode

PARAMETER		MIN	TYP	MAX	UNIT
$f(\text{SCLK})$	SCLK frequency			12.288	MHz
$t_{\text{w}}(\text{FSHIGH})$	Pulse duration, sync		$1/(64 \times f_s)$		ns
$t_{\text{su}}(\text{SDIN}),$ $t_{\text{su}}(\text{LRCLK})$	SDIN and LRCLK setup time before SCLK falling edge	20			ns
$t_{\text{h}}(\text{SDIN}),$ $t_{\text{h}}(\text{LRCLK})$	SDIN and LRCLK hold time from SCLK falling edge	10			ns
	SCLK duty cycle		50%		

PARAMETER MEASUREMENT INFORMATION

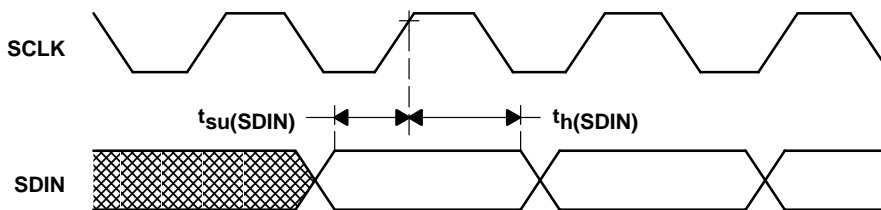
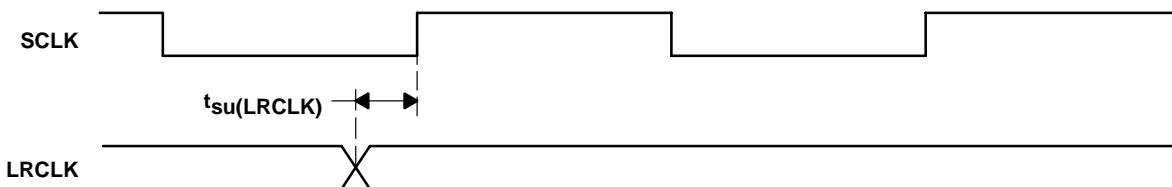


Figure 11. Right-Justified, IIS, Left-Justified Serial Protocol Timing



NOTE: Serial data is sampled with the rising edge of SCLK (setup time = 20 ns and hold time = 10 ns)

Figure 12. Right, Left, and IIS Serial Mode Timing Requirement

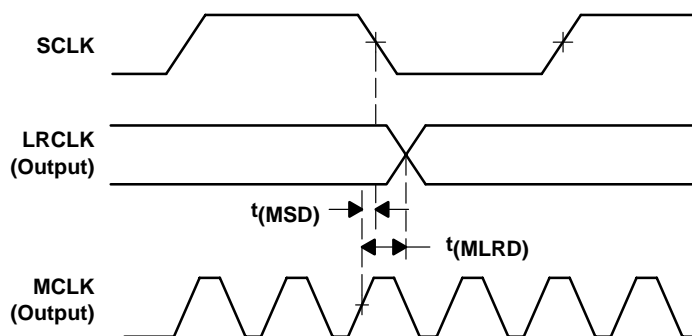


Figure 13. Serial Audio Ports Master Mode Timing

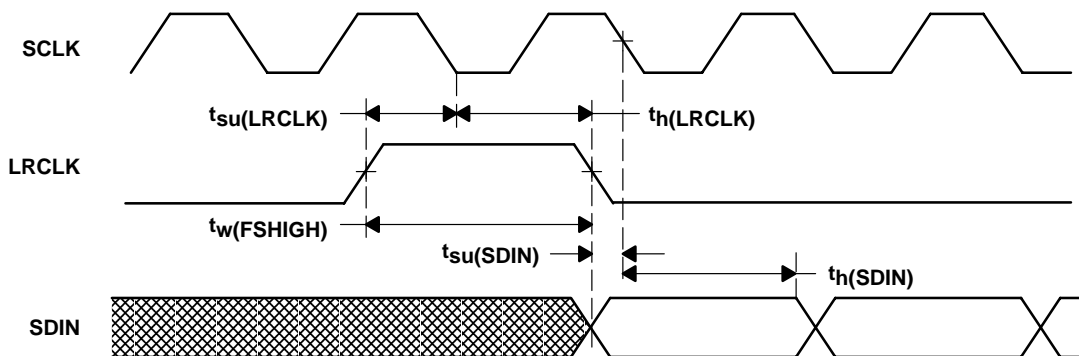


Figure 14. DSP Serial Port Timing

PARAMETER MEASUREMENT INFORMATION

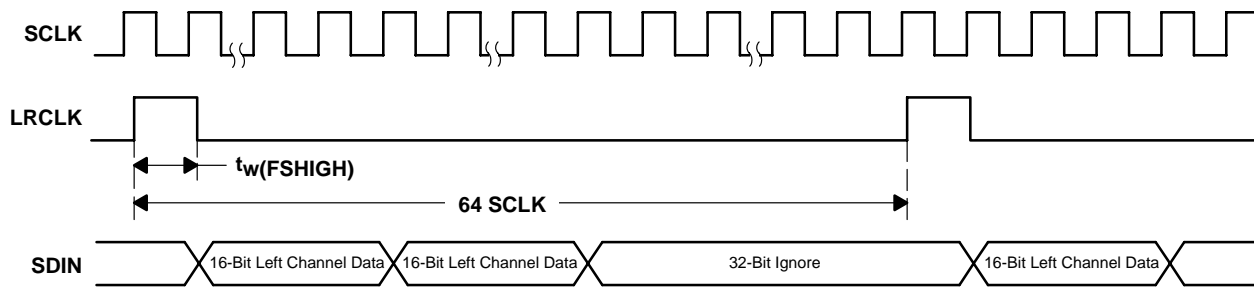
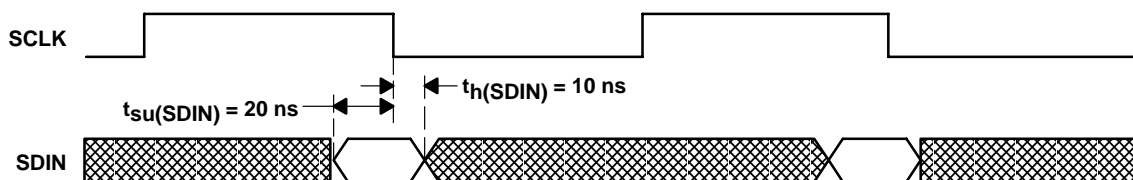


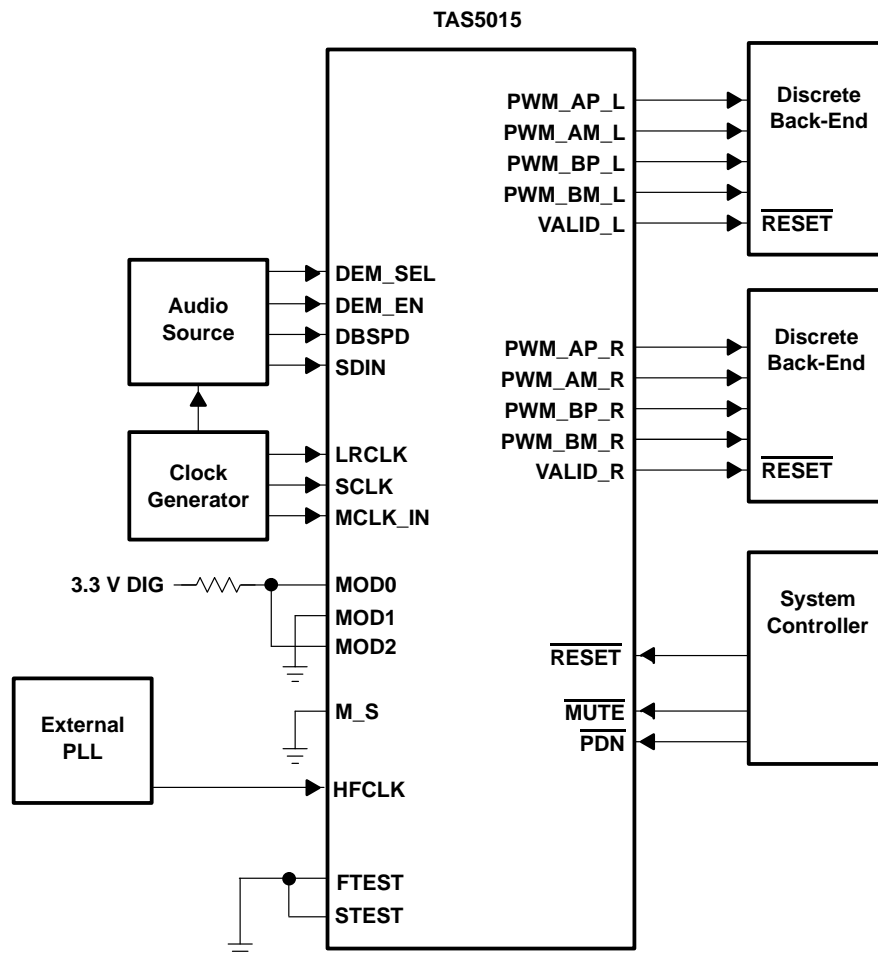
Figure 15. DSP Serial Port Expanded Timing



NOTE: Serial data is sampled with the falling edge of SCLK (setup time = 20 ns and hold time = 10 ns)

Figure 16. DSP Absolute Timing Requirement

APPLICATION INFORMATION

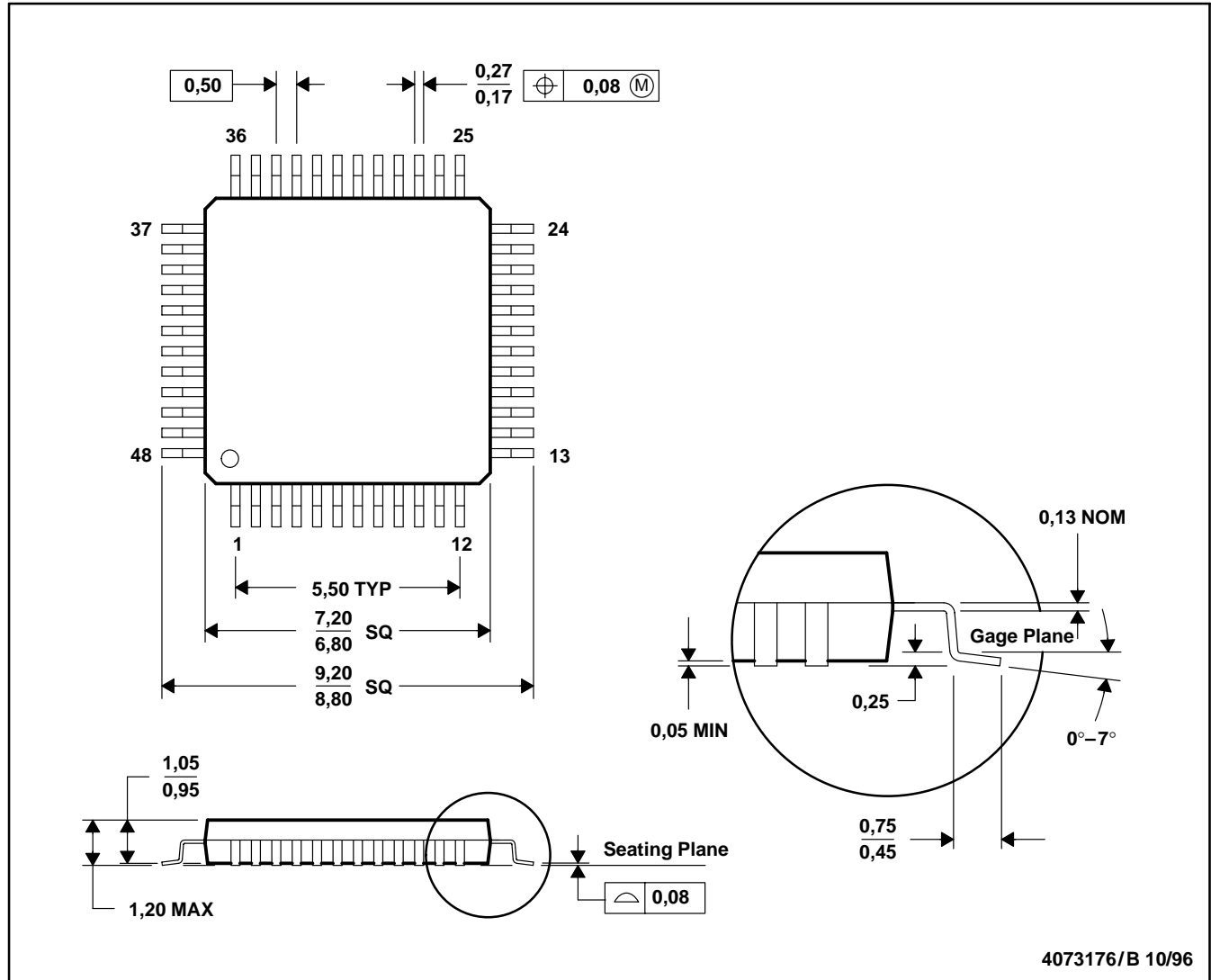


NOTE A: See the *Design Consideration for TAS5000/TAS5100 True Digital Audio Power Amplifiers* application note, Texas Instruments literature number SLAA117 for values.

MECHANICAL DATA

PFB (S-PQFP-G48)

PLASTIC QUAD FLATPACK



- NOTES: A. All linear dimensions are in millimeters.
 B. This drawing is subject to change without notice.
 C. Falls within JEDEC MS-026

IMPORTANT NOTICE

Texas Instruments Incorporated and its subsidiaries (TI) reserve the right to make corrections, modifications, enhancements, improvements, and other changes to its products and services at any time and to discontinue any product or service without notice. Customers should obtain the latest relevant information before placing orders and should verify that such information is current and complete. All products are sold subject to TI's terms and conditions of sale supplied at the time of order acknowledgment.

TI warrants performance of its hardware products to the specifications applicable at the time of sale in accordance with TI's standard warranty. Testing and other quality control techniques are used to the extent TI deems necessary to support this warranty. Except where mandated by government requirements, testing of all parameters of each product is not necessarily performed.

TI assumes no liability for applications assistance or customer product design. Customers are responsible for their products and applications using TI components. To minimize the risks associated with customer products and applications, customers should provide adequate design and operating safeguards.

TI does not warrant or represent that any license, either express or implied, is granted under any TI patent right, copyright, mask work right, or other TI intellectual property right relating to any combination, machine, or process in which TI products or services are used. Information published by TI regarding third-party products or services does not constitute a license from TI to use such products or services or a warranty or endorsement thereof. Use of such information may require a license from a third party under the patents or other intellectual property of the third party, or a license from TI under the patents or other intellectual property of TI.

Reproduction of information in TI data books or data sheets is permissible only if reproduction is without alteration and is accompanied by all associated warranties, conditions, limitations, and notices. Reproduction of this information with alteration is an unfair and deceptive business practice. TI is not responsible or liable for such altered documentation.

Resale of TI products or services with statements different from or beyond the parameters stated by TI for that product or service voids all express and any implied warranties for the associated TI product or service and is an unfair and deceptive business practice. TI is not responsible or liable for any such statements.

Mailing Address:

Texas Instruments
Post Office Box 655303
Dallas, Texas 75265