

TOSHIBA Bi-CMOS INTEGRATED CIRCUIT SILICON MONOLITHIC

TB62717N, TB62717F

24 BIT CONSTANT CURRENT DRIVERS (3 × 8 BIT SHIFT REGISTER & LATCH)

The TB62717N/F are specifically designed constant current driver for LED & LED DISPLAY.

This constant-current output-circuits is able to set up at an external resistor.

This IC is monolithic integrated circuit designed to be used together with Bi-CMOS process.

The devices builds in three block composed by the shift register circuit of eight bits, the latch-circuit of eight bits, the AND gate circuit of eight bits and the constant-current output circuits of eight bits.

This device has a SERIAL-IN terminal and a SERIAL-OUT terminal three blocks to each, and has a CLOCK terminal and a LATCH terminal three blocks to the commonness.

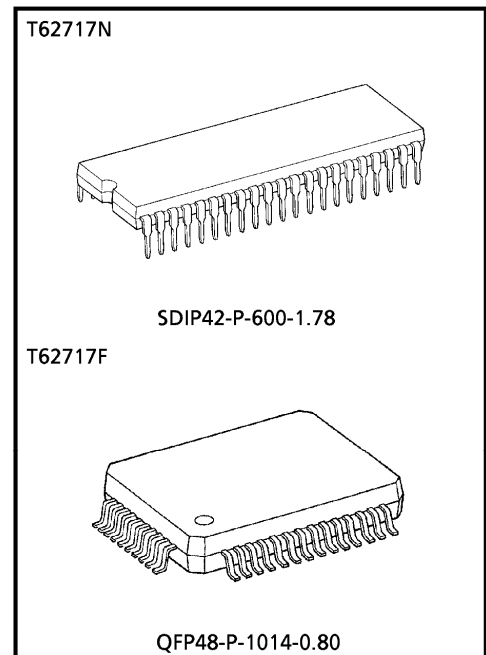
FEATURES

- Constant Current Output : Able to set up at an external resistor for all output 2 current.
- Schmitt Triggered Input
- Recommended Operating Condition
 - Maximum Clock Frequency : $f_{CLK} = 10.0 \text{ MHz}$
(Cascade connected)
 - IC Supply Voltage : $V_{DD} = 4.5 \sim 5.5 \text{ V}$
 - Output Voltage : $V_{OUT} = 0.4 \sim 17 \text{ V}$
 - Output Current : $I_{OUT} = 5 \sim 30 \text{ mA/bit}$
 - Operating Temperature : $T_{opr} = -40 \sim 85^\circ\text{C}$

CONSTANT OUTPUT CURRENT MATCHING

OUTPUT-GND VOLTAGE	CURRENT MATCHING	OUTPUT CURRENT
$\geq 0.4 \text{ V}$	$\pm 6.0\%$	5~50 mA

- 5 V CMOS Compatible Input
- Package : N Type SDIP42-P-600-1.78
F Type QFP48-P-1014-0.80

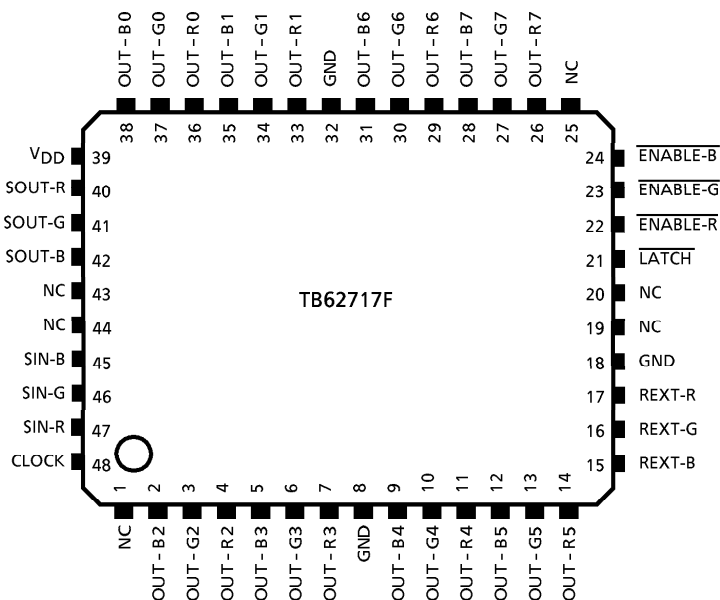
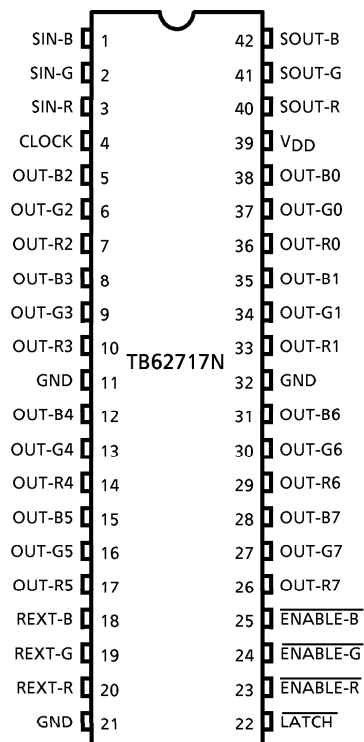


Weight
SDIP42-P-600-1.78 : 4.13 g (Typ.)
QFP48-P-1014-0.80 : g (Typ.)

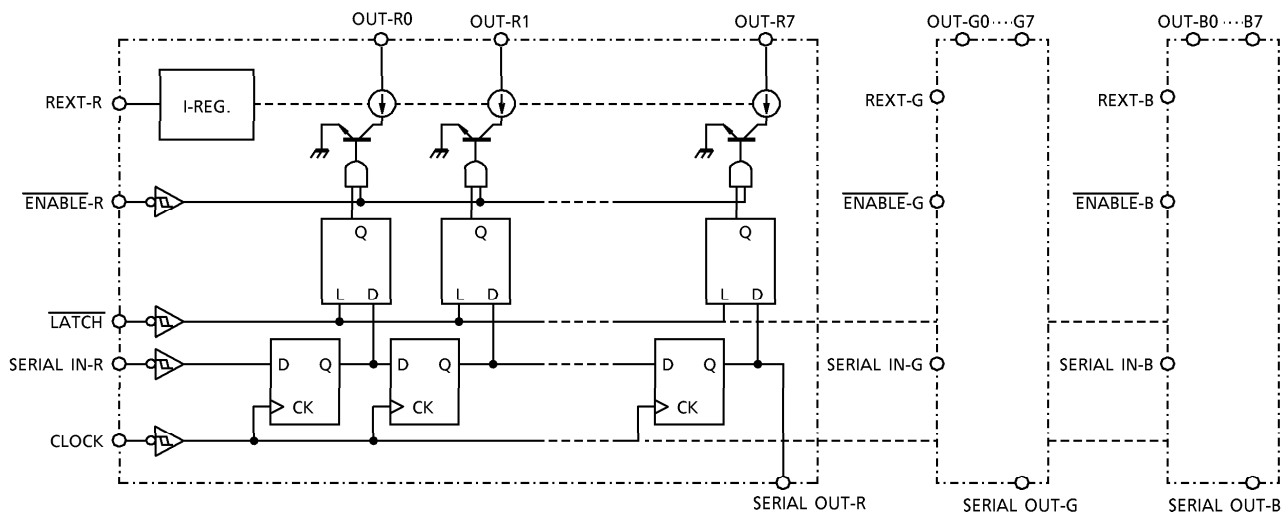
980910EBA1

- TOSHIBA is continually working to improve the quality and the reliability of its products. Nevertheless, semiconductor devices in general can malfunction or fail due to their inherent electrical sensitivity and vulnerability to physical stress. It is the responsibility of the buyer, when utilizing TOSHIBA products, to observe standards of safety, and to avoid situations in which a malfunction or failure of a TOSHIBA product could cause loss of human life, bodily injury or damage to property. In developing your designs, please ensure that TOSHIBA products are used within specified operating ranges as set forth in the most recent products specifications. Also, please keep in mind the precautions and conditions set forth in the TOSHIBA Semiconductor Reliability Handbook.
- The products described in this document are subject to the foreign exchange and foreign trade laws.
- The information contained herein is presented only as a guide for the applications of our products. No responsibility is assumed by TOSHIBA CORPORATION for any infringements of intellectual property or other rights of the third parties which may result from its use. No license is granted by implication or otherwise under any intellectual property or other rights of TOSHIBA CORPORATION or others.
- The information contained herein is subject to change without notice.

PIN CONNECTION (TOP VIEW)



BLOCK DIAGRAM



(Note) $I_{OUT} = 30 \text{ mA / bit (max)}$ in 24 bit output activate

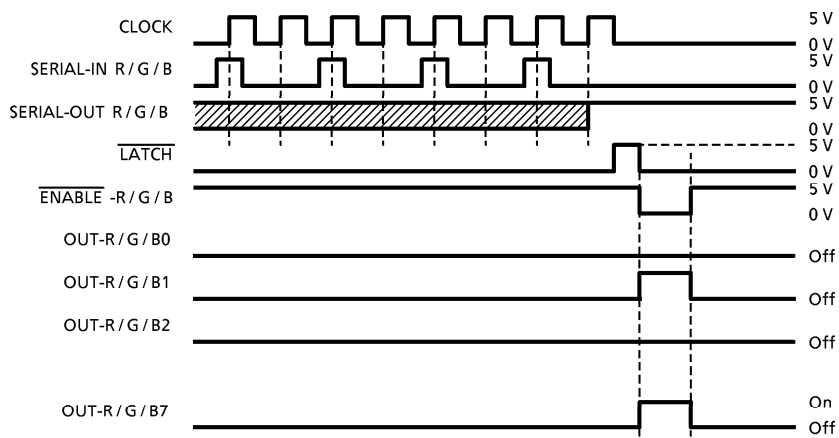
TRUTH TABLE

CLOCK	LATCH	ENABLE R/G/B	SERIAL-IN R/G/B	OUT-R/G/B0	OUT-R/G/B3	OUT-R/G/B7	SERIAL-OUT R/G/B
UP	H	L	D_n	D_n	$\dots D_n - 3$	$\dots D_n - 7$	$D_n - 7$
UP	L	L	$D_n + 1$	No Change			$D_n - 6$
DOWN	H	L	$D_n + 1$	$D_n + 1$	$\dots D_n - 2$	$\dots D_n - 6$	$D_n - 6$
—	X	L	$D_n + 2$	No Change			$D_n - 6$
—	X	H	$D_n + 3$	All Off			$D_n - 6$

(Note) $OUT-R/G/B0\sim7 = \text{on}$ in case of $D_n = \text{H level}$ and $OUT-R/G/B0\sim7 = \text{off}$ in case of $D_n = \text{L level}$.

A resistor is connected with R-EXT and GND accompanied with outside, and it is necessary that a correct power supply voltage is supplied.

TIMING DIAGRAM



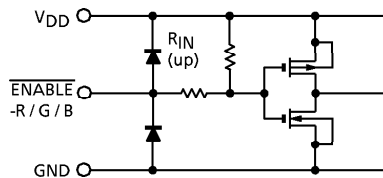
(Note) Latch are level sensitive, not rising edges sensitive and not synchronous CLOCK.
 Input of LATCH-terminal to "H" level, data passes latches, and input to "L" level, data hold latches.
 Input of ENABLE-terminal to "H" level, all output do off.

TERMINAL EXPLANATION

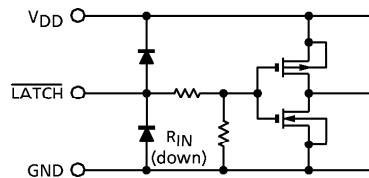
NUMBERS		NAME	EXPLANATION
N	F		
36~38	36~38	OUT-R / G / B0	This terminal is the constant-current output of the 0th bit of each block. An output terminal is high-active in the input data.
33~35	33~35	OUT-R / G / B1	This terminal is the constant-current output of the 1st bit of each block. An output terminal is high-active in the input data.
5~7	2~4	OUT-R / G / B2	This terminal is the constant-current output of the 2nd bit of each block. An output terminal is high-active in the input data.
8~10	5~7	OUT-R / G / B3	This terminal is the constant-current output of the 3rd bit of each block. An output terminal is high-active in the input data.
12~14	9~11	OUT-R / G / B4	This terminal is the constant-current output of the 4th bit of each block. An output terminal is high-active in the input data.
15~17	12~14	OUT-R / G / B5	This terminal is the constant-current output of the 5th bit of each block. An output terminal is high-active in the input data.
29~31	29~31	OUT-R / G / B6	This terminal is the constant-current output of the 6th bit of each block. An output terminal is high-active in the input data.
26~28	26~28	OUT-R / G / B7	This terminal is the constant-current output of the 7th bit of each block. An output terminal is high-active in the input data.
11, 21, 32	8, 18, 32	GND	These three terminals are GND terminals. We recommend that it is grounded (this terminal all).
1~3	45~47	SERIAL-IN -R / G / B	This terminal is a serial-data input of each block.
4	48	CLOCK	This terminal is the clock signal input which is common to each block.
22	21	$\overline{\text{LATCH}}$	This terminal is latch signal input. This terminal is a level latch. Therefore, input data are held while input of a level is being maintained. It only passes through the data on the output side in the case of the H level.
23~25	22~24	$\overline{\text{ENABLE}}$ -R / G / B	This terminal is output control signal input. When input of a L level is maintained, an output terminal drives this terminal corresponding to the input data. Output is made a non-drive independently with the input data in the case of the H level.
18~20	15~17	REXT-B / G / R	This terminal is for the resistance connection which the output electric current value of each block is set up to. Resistance with the outside is connected between this terminal and GND. Output electric current is set up in the value corresponding to the re
39	39	V _{DD}	This terminal is input of a power supply voltage 5 V.
40~42	40~42	SERIAL OUT -B / G / R	This terminal is a serial-data output of each block.

EQUIVALENT CIRCUIT ABOUT THE INPUT AND OUTPUT TERMINAL

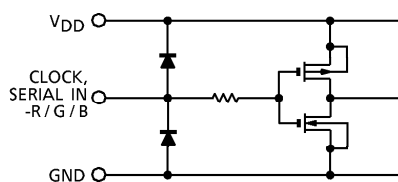
1. The terminal of the $\overline{\text{ENABLE}}$ -R/G/B



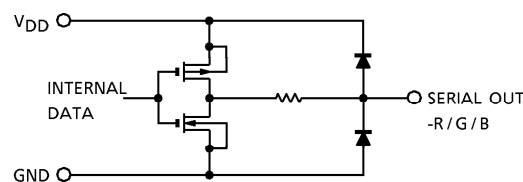
2. The terminal of the $\overline{\text{LATCH}}$



3. The terminal of the CLOCK and SERIAL IN R/G/B



4. The terminal of the SERIAL OUT R/G/B



MAXIMUM RATINGS (Ta = 25°C)

CHARACTERISTIC	SYMBOL	RATING	UNIT
Supply Voltage	V _{DD}	+ 7.0	V
Input Voltage	V _{IN}	- 0.4~V _{DD} + 0.4	V
Output Current	I _{OUT}	+ 50	mA
Output Voltage	V _{OUT}	- 0.5~ + 17.0	V
Clock Frequency	f _{CK}	15	MHz
GND Terminal Current (Note 1)	I _{GND}	2200	mA
Power Dissipation (Note 2)	TB62717N	P _D	°C / W
	TB62717F		
Thermal Resistance (Note 2)	TB62717N	R _{th} (j-a)	°C / W
	TB62717F		
Operating Temperature	T _{opr}	- 40~ + 85	°C
Storage Temperature	T _{stg}	- 55~ + 150	°C

(Note 1) Use all GND-terminals.

(Note 2) Ambient temperature delayed the above 25°C with the type N with 14.2 mW/°C and the type F with 11.1 mW /°C in on PCB (Glass Epoxy PCB 50 x 50 x 1.6 mm Cu 36%).

RECOMMENDED OPERATING CONDITION (Ta = 25°C unless otherwise noted)

CHARACTERISTIC	SYMBOL	CONDITION	MIN.	TYP.	MAX.	UNIT
Supply Voltage	V _{DD}	—	4.5	5.0	5.5	V
Output Voltage	V _{OUT}	—	0.4	—	15.0	V
Output Current	I _{OUT}	DC 1 circuit	—	—	35	mA
	I _{OH}	SERIAL-OUT	—	—	-1.0	
	I _{OL}	SERIAL-OUT	—	—	1.0	
Input Voltage	V _{IH}	—	0.7 V _{DD}	—	V _{DD} + 0.3	V
	V _{IL}	—	-0.3	—	0.3 V _{DD}	
LATCH Pulse Width	t _w /LATCH	V _{DD} = 4.5~5.5 V	100	—	—	ns
CLOCK Pulse Width	t _w CLK		50	—	—	ns
ENABLE Pulse Width	t _w /EN		4500	—	—	ns
Set-up Time for DATA	t _{setup} (D)		60	—	—	ns
Hold Time for DATA	t _{hold} (D)		20	—	—	ns
Set-up Time for LATCH	t _{setup} (L)		100	—	—	ns
Hold Time for LATCH	t _{hold} (L)		60	—	—	ns
Clock Frequency	f _{CLK}	Cascade operation	—	—	10.0	MHz
Power Dissipation	P _D	Ta = 85°C (SDIP42 on PCB)	—	—	0.92	W
		Ta = 85°C (QFP48 on PCB)	—	—	0.71	

ELECTRICAL CHARACTERISTICS (Ta = 25°C unless otherwise noted)

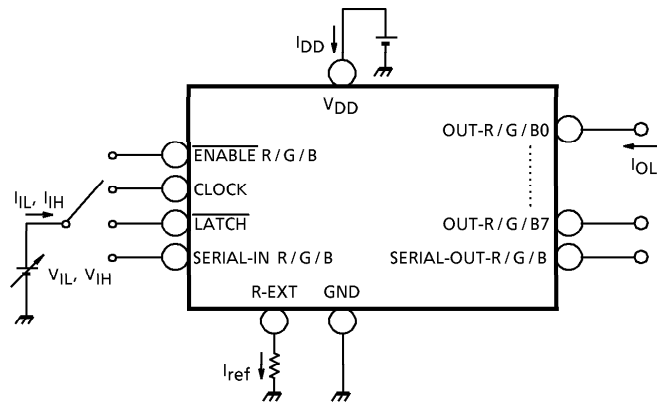
CHARACTERISTIC		SYMBOL	TEST CIRCUIT	CONDITION	MIN.	TYP.	MAX.	UNIT	
Input Voltage	"H" Level	V _{IH}	1	Ta = -40~85°C	0.7 V _{DD}	—	V _{DD}	V	
	"L" Level	V _{IL}			GND	—	0.3 V _{DD}		
Output Leakage Current		I _{OH}		V _{OH} = 15.0 V	—	—	10	μA	
Output Voltage	SOUT-R / G / B	V _{OL}		I _{OL} = 1.0 mA	—	—	0.4	V	
		V _{OH}		I _{OL} = -1.0 mA	4.6	—	—		
Output Current	Current Skew	ΔI _{OL}		V _{CE} = 0.4 V	R _{EXT} = 660 Ω	25.5	30.0	34.5	mA
				I _{OL} = 30 mA, V _{CE} = 0.4 V		—	±1.5	±6.0	
Supply Voltage Regulation		% / V _{DD}		R _{EXT} = 660 Ω	Ta = -40~85°C	—	1.5	5.0	% / V
Pull-Up Resistor		R _{IN} (up)		—	—	150	300	600	Ω
Pull-Down Resistor		R _{IN} (down)		—	—	150	300	600	Ω
Supply Current	"OFF"	I _{DD} (off) 1	R _{EXT} = OPEN	All output off	—	1.2	2.4	mA	
			R _{EXT} = 660 Ω		7.0	12.0	16.0		
	"ON"	I _{DD} (on) 1	R _{EXT} = 660 Ω	All output on	15.0	28.0	40.0		

(Note) Current-skew items are specifications about the electric current value of eight output which each block has.
Therefore, as for the output electric current value which a different block sticks to, its become the specifications which are equal to the "I_{OL}" item.

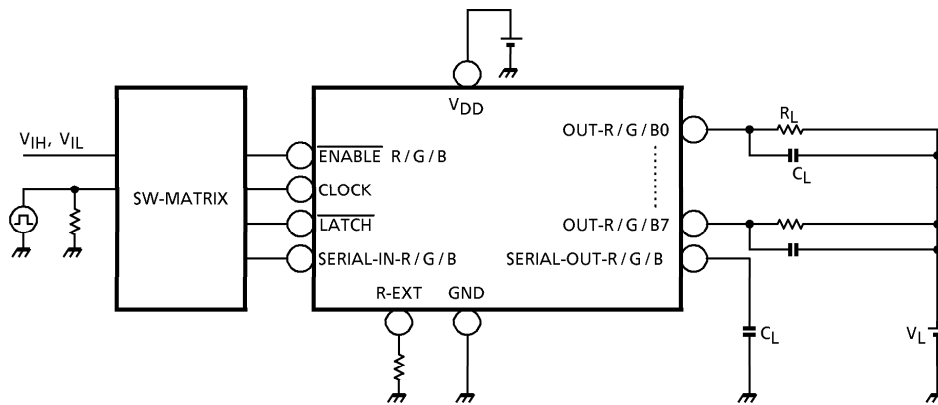
SWITCHING CHARACTERISTICS (Ta = 25°C unless otherwise noted)

CHARACTERISTIC		SYMBOL	TEST CIRCUIT	CONDITION	MIN.	TYP.	MAX.	UNIT	
Propagation Delay Time ("L" to "H")	CLK-OUTn	t _{pLH}	2	V _{DD} = 5.0 V V _{CE} = 0.4 V V _{IH} = V _{DD} V _{IL} = GND R _{EXT} = 660 Ω V _L = 3.0 V C _L = 10.5 pF	—	1200	1500	ns	
	/LATCH-OUTn				—	1200	1500		
	/EN-OUTn				—	1200	1500		
	CLK-SOUT				—	30	70		
Propagation Delay Time ("H" to "L")	CLK-OUTn	t _{pHL}			—	700	1000		
	/LATCH-OUTn				—	700	1000		
	/EN-OUTn				—	700	1000		
	CLK-SOUT				—	30	70		
Pulse Width	CLK	t _w CLK, /CLK			—	20	30		
	LATCH	t _w LAT, /LAT			—	10	25		
Set-Up Time for /LATCH and SIN	L-H	t _{setup} /LAT			—	25	50		
	H-L				—	25	50		
Hold Time for /LATCH and SIN	L-H	t _{hold} /LAT			—	0	15		
	H-L				—	0	15		
Maximum CLOCK Rise Time		t _r			—	—	10		μs
Maximum CLOCK Fall Time		t _f			—	—	10		
Output Rise Time		t _{or}	300	600	1000	ns			
Output Fall Time		t _{of}	150	300	600				

TEST CIRCUIT
DC characteristic

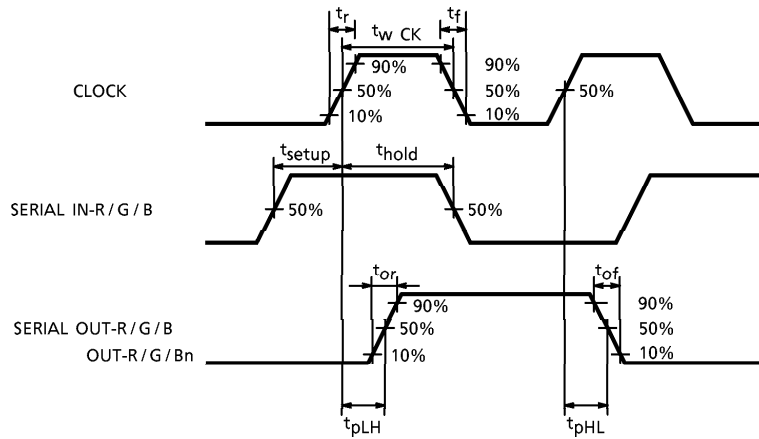


AC characteristic

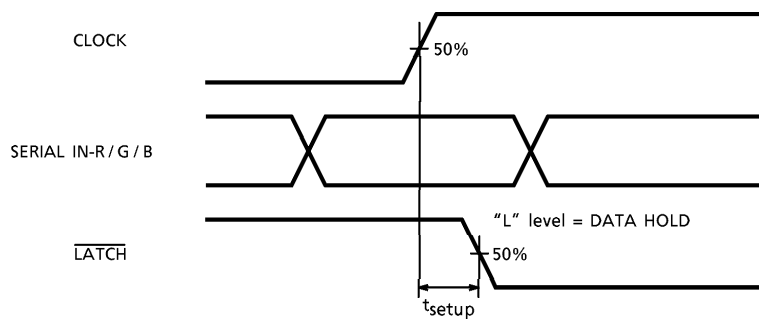


TIMING WAVEFORM

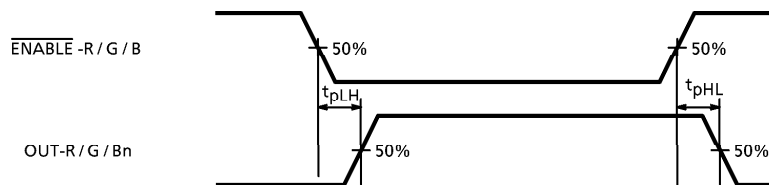
1. CLOCK-SERIAL OUT-R/G/B, SERIAL OUT-R/G/B, OUT-R/G/B0~7

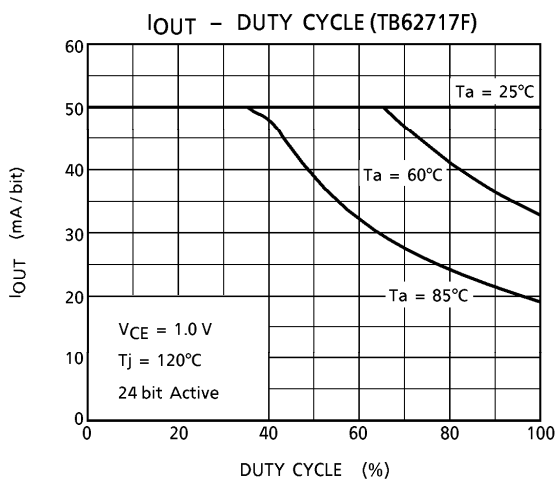
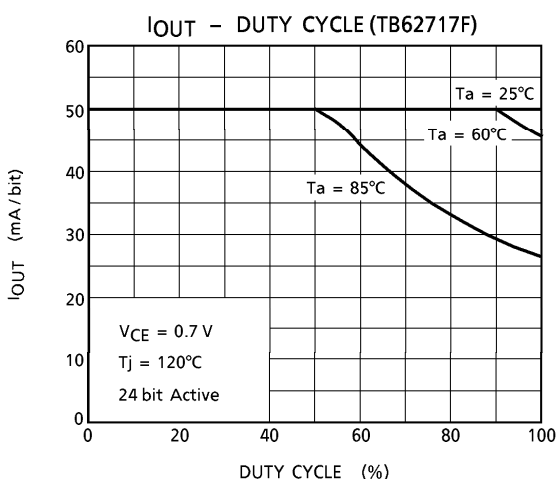
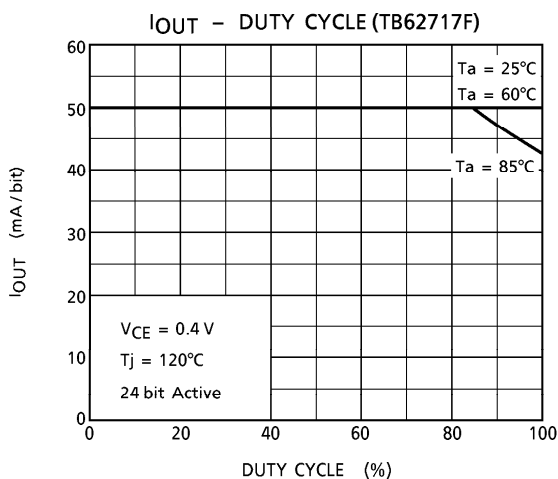
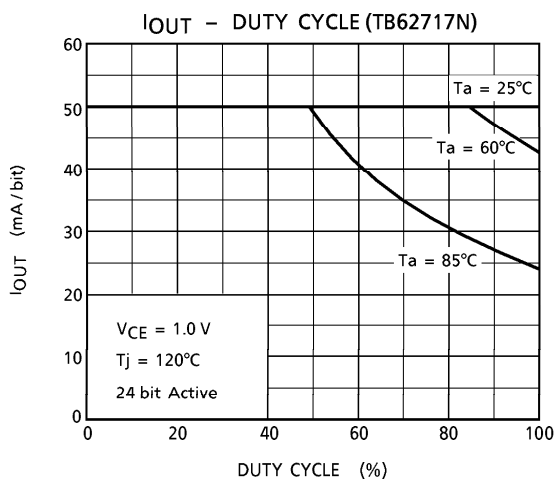
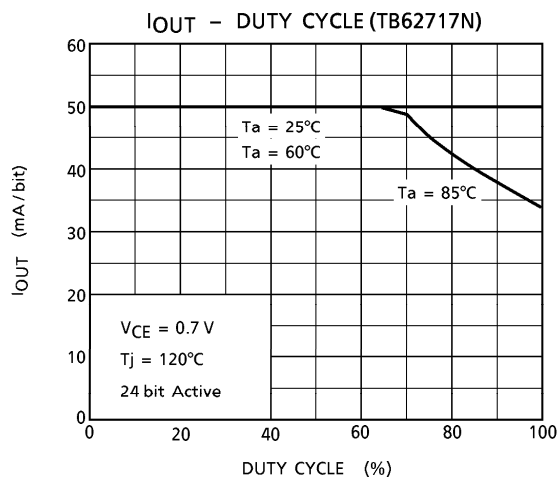
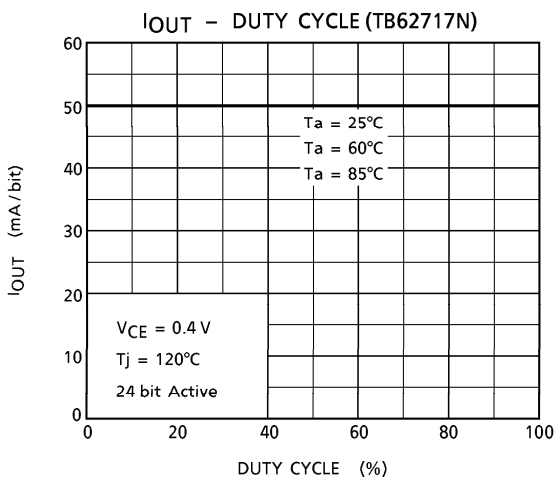


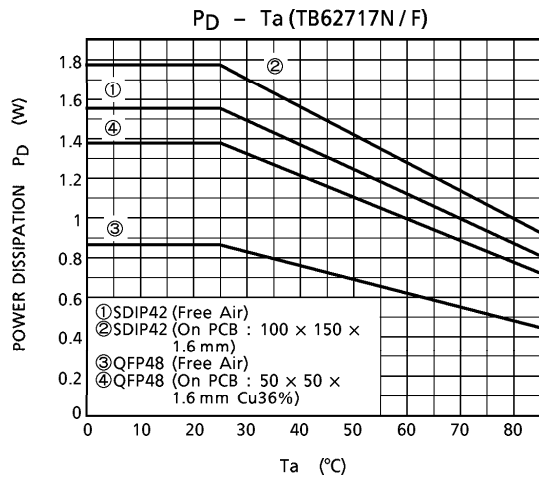
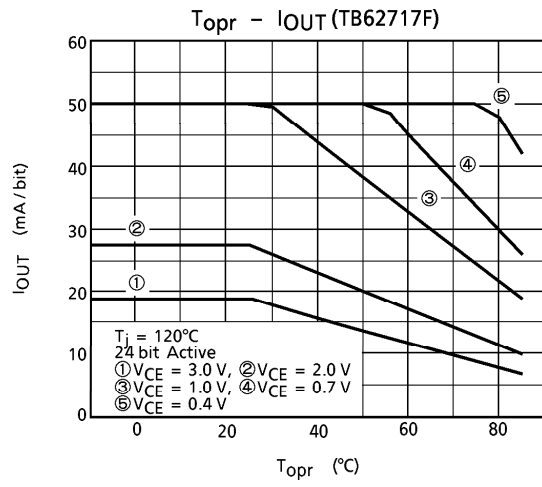
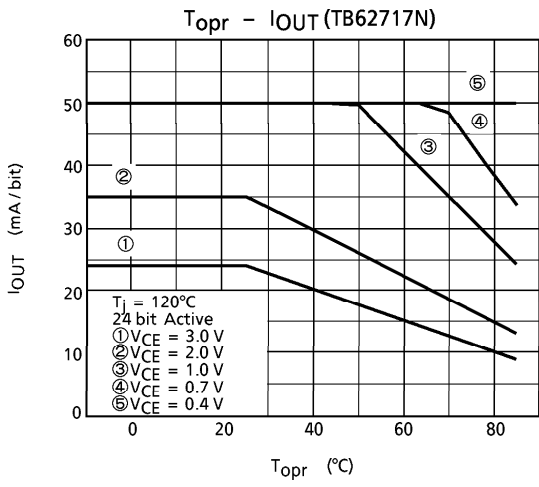
2. CLOCK-LATCH



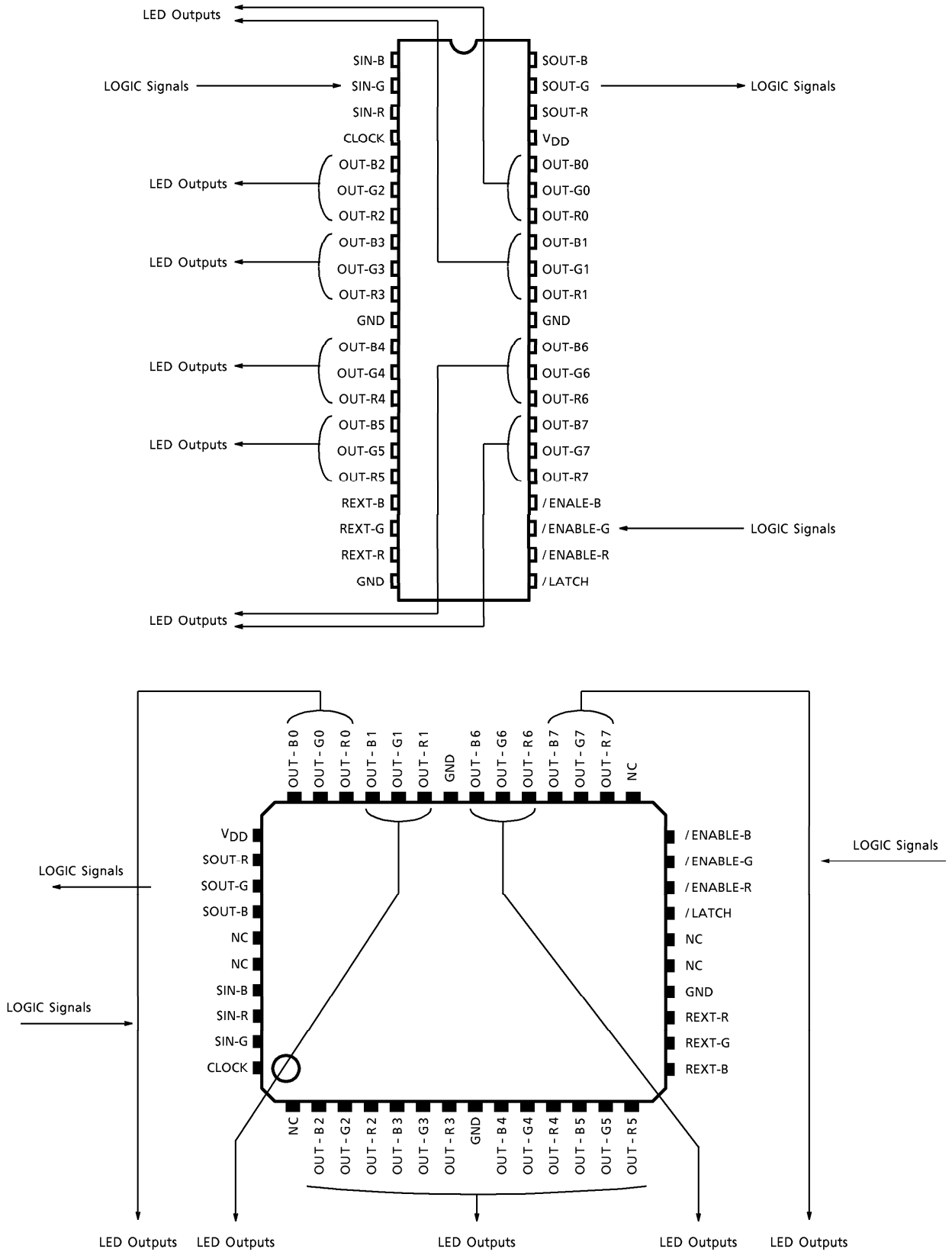
3. ENABLE-R/G/B, OUT-R/G/B n





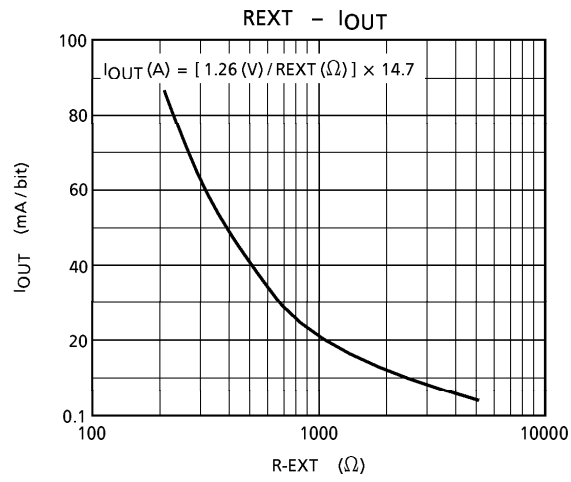


I/O LAYOUT IMAGE



LED DRIVER TB6270X SERIES APPLICATION NOTE

Fig.1



[1] Output Current (I_{OUT})

I_{OUT} is set by the external resistor (R-EXT) as shown in Fig1.

[2] Total Supply Voltage (V_{LED})

This device can operate 0.4~0.7 V (V_O).

When a higher voltage is input to the device, the excess voltage is consumed inside the device, that leads to power dissipation.

In order to minimize power dissipation and loss, we would like to recommend to set the total supply voltage as shown below,

$$V_{LED} \text{ (total supply voltage)} = V_{CE} (I_r V_{sat}) + V_f \text{ (LED Forward voltage)} + V_O \text{ (IC supply voltage)}$$

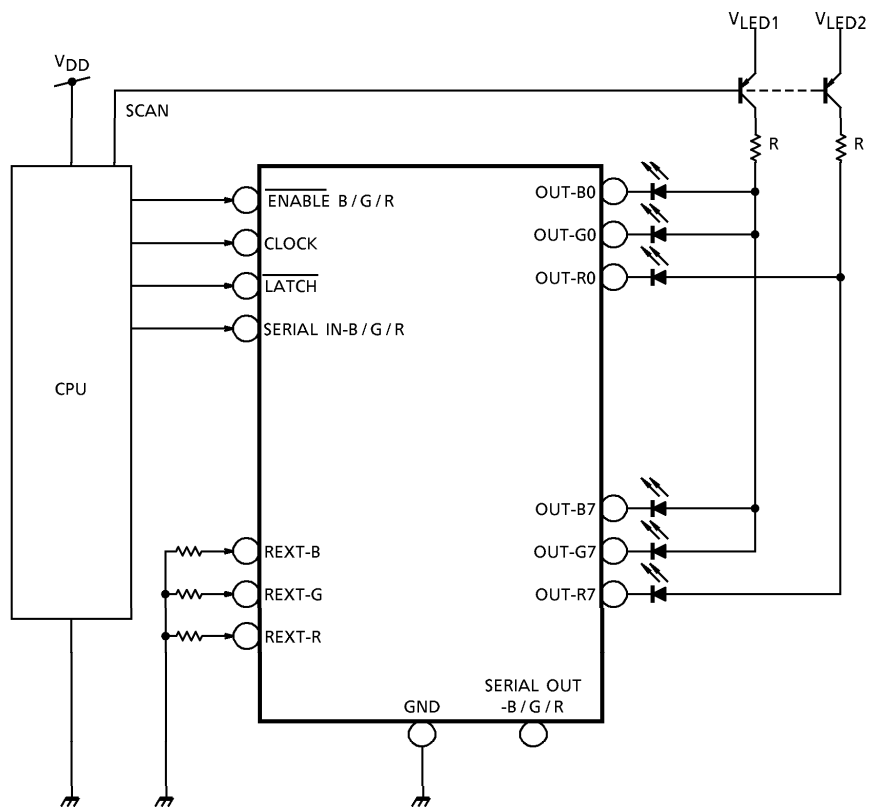
When the total supply is too high considering the power dissipation of this device, an additional R can decrease the supply voltage (V_O).

[3] Pattern Layout

This device owns only one ground pin that means signal ground pin and power ground pin are common.

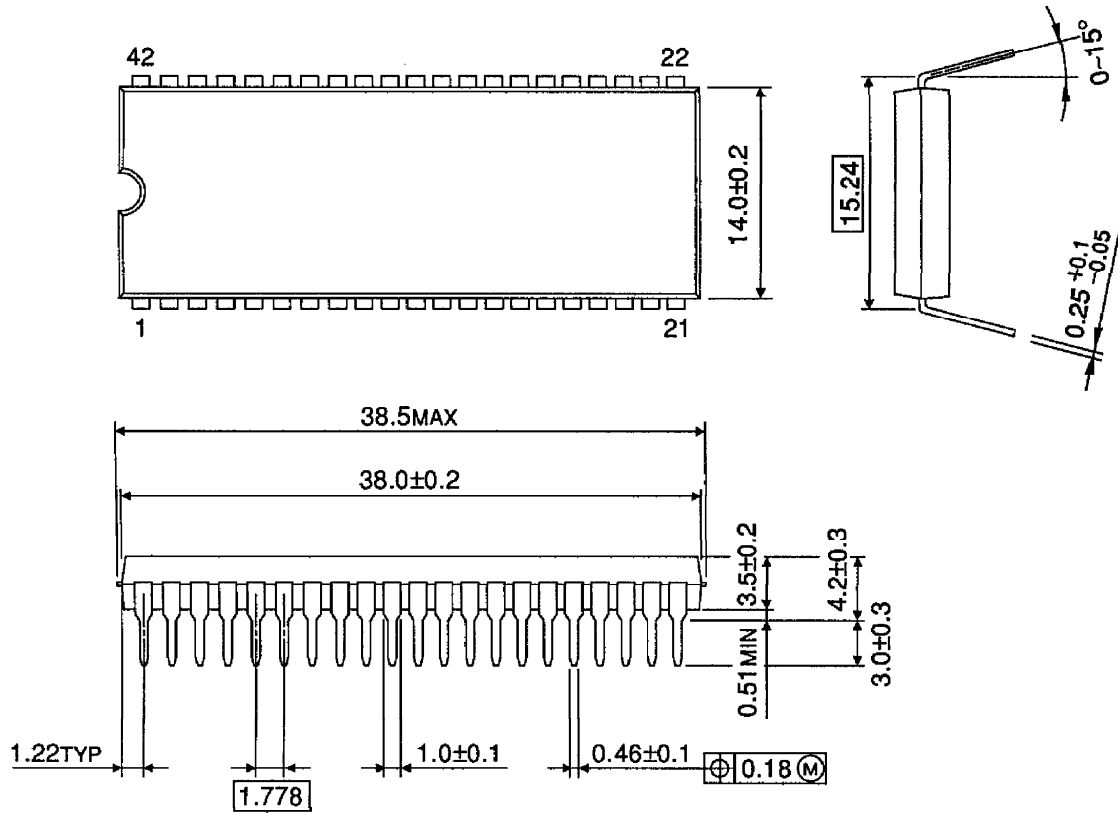
If ground pattern layout contains large inductance and impedance, and the voltage between ground and LATCH, CLOCK terminals exceeds 2.5 V by switching noise in operation, this device may miss-operate. So we would like you to pay attention to pattern layout to minimize inductance.

PATTERN LAYOUT



OUTLINE DRAWING
SDIP42-P-600-1.78

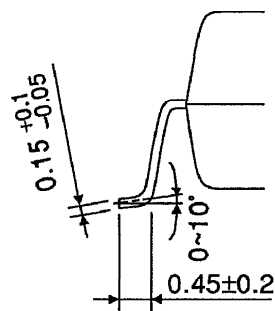
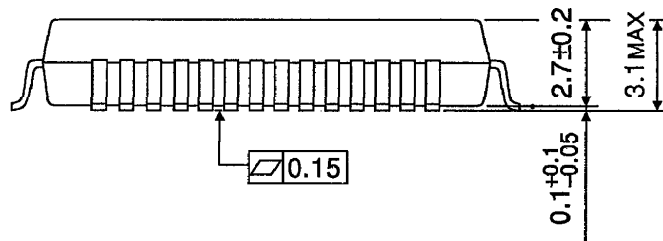
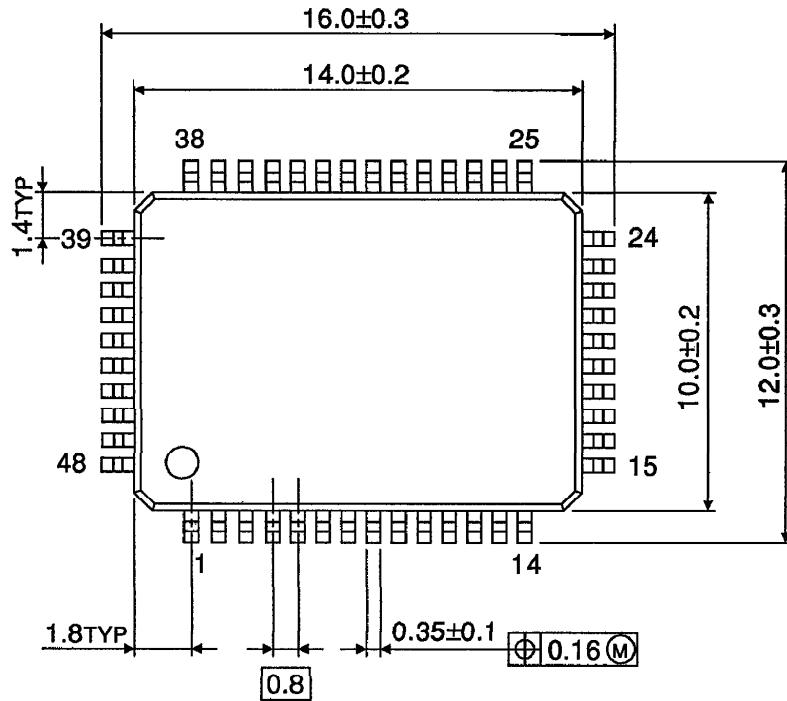
Unit : mm



Weight : 4.13 g (Typ.)

OUTLINE DRAWING
QFP48-P-1014-0.80

Unit : mm



Weight : g (Typ.)