

TOSHIBA CMOS DIGITAL INTEGRATED CIRCUIT SILICON MONOLITHIC

TC74HC4511AP, TC74HC4511AF

BCD - TO - 7 SEGMENT LATCH / DECODER / DRIVER

The TC74HC4511A is a high speed CMOS BCD-TO-7 SEGMENT LATCH / DECODER / DRIVER fabricated with silicon gate C²MOS technology.

It achieves the high speed operation similar to equivalent LSTTL while maintaining the CMOS low power dissipation.

The segment output driver, which is of CMOS construction, has a large I_{OH} capability which permits the device to drive cathode common LED directly.

When lamp test (LT) is held low, all segment outputs will go high, and when the blanking input (BI) is held low and LT is held high, all segment outputs will go low. These functions are independent of other inputs and used to test the display.

BI is used to pulse - modulate the brightness of the display.

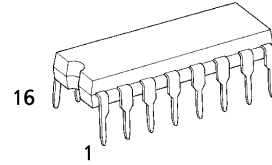
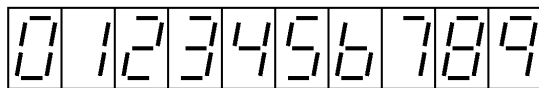
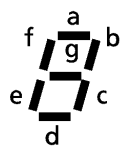
When error code (over 10) is applied to BCD inputs, all segment outputs will go to low (turn off).

All inputs are equipped with protection circuits against static discharge or transient excess voltage.

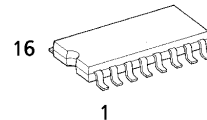
FEATURES :

- High Speed.....t_{pd} = 28ns(typ.) at V_{CC} = 5V
- Low Power Dissipation.....I_{CC} = 4μA(Max.) at Ta = 25°C
- High Noise Immunity.....V_{NIH} = V_{NIL} = 28% V_{CC} (Min.)
- Output Drive Capability.....10 LSTTL Loads
- Symmetrical Output Impedance...|I_{OH}| = 20mA
- Wide Operating Voltage Range...V_{CC} (opr.) = 2V~6V
- Pin and Function Compatible with TC4511B

DISPLAY MODE

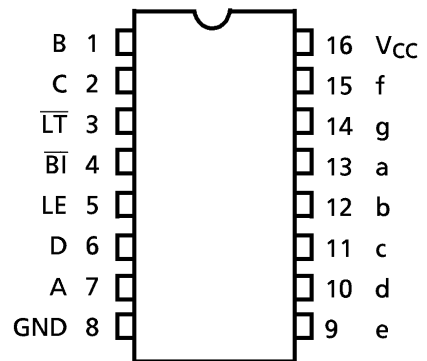


P (DIP16-P-300-2.54A)
Weight : 1.00g (Typ.)



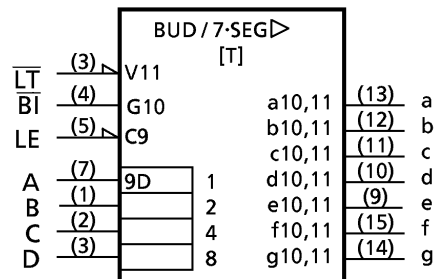
F (SOP16-P-300-1.27)
Weight : 0.18g (Typ.)

PIN ASSIGNMENT



(TOP VIEW)

IEC LOGIC SYMBOL

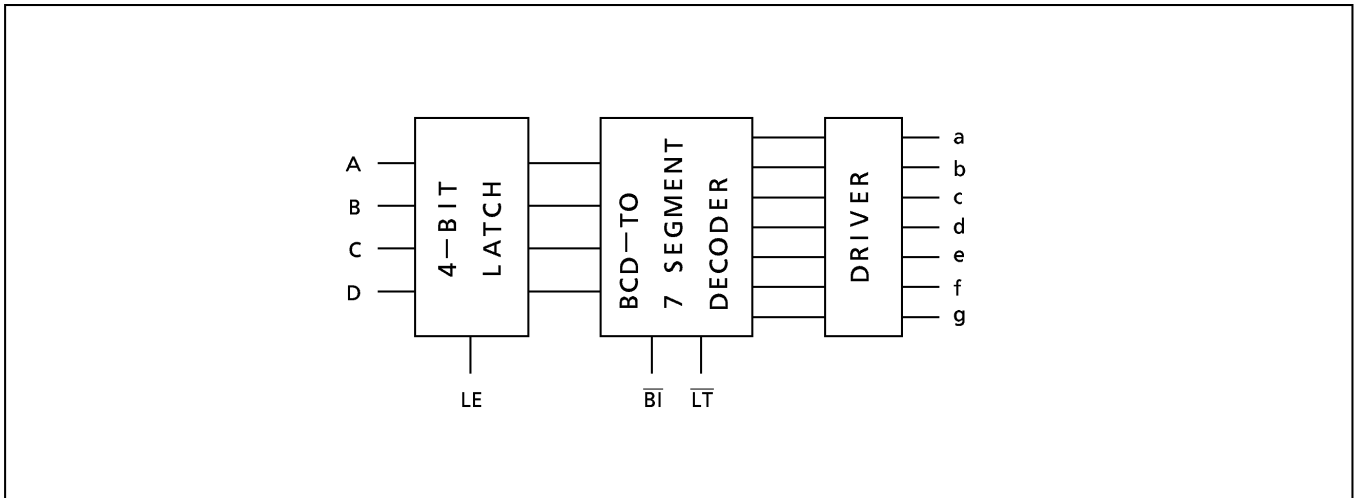


[T] :

980508EBA2

● TOSHIBA is continually working to improve the quality and the reliability of its products. Nevertheless, semiconductor devices in general can malfunction or fail due to their inherent electrical sensitivity and vulnerability to physical stress. It is the responsibility of the buyer, when utilizing TOSHIBA products, to observe standards of safety, and to avoid situations in which a malfunction or failure of a TOSHIBA product could cause loss of human life, bodily injury or damage to property. In developing your designs, please ensure that TOSHIBA products are used within specified operating ranges as set forth in the most recent products specifications. Also, please keep in mind the precautions and conditions set forth in the TOSHIBA Semiconductor Reliability Handbook.

BLOCK DIAGRAM



TRUTH TABLE

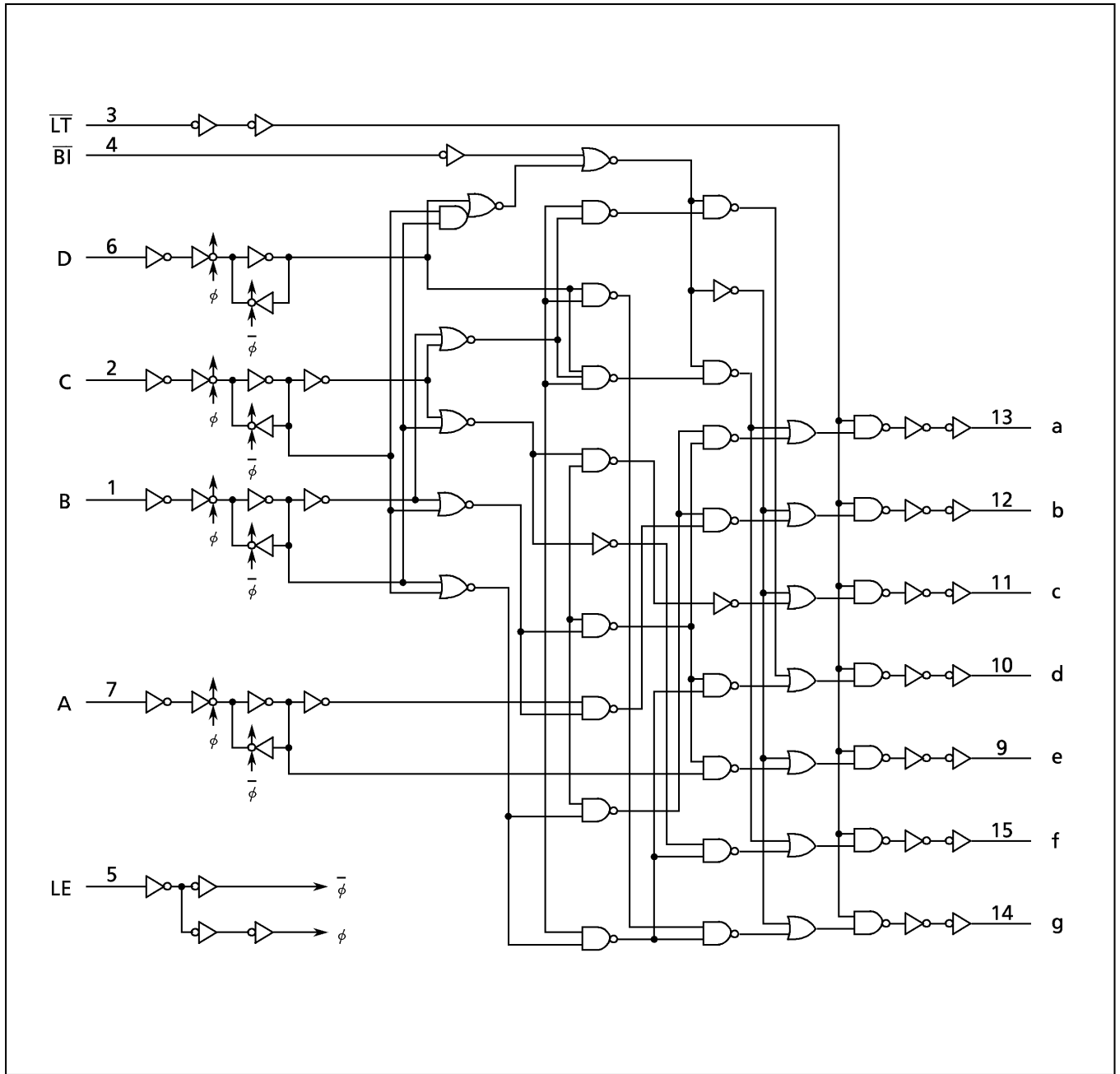
INPUTS							OUTPUTS							DISPLAY MODE
LE	BI	LT	D	C	B	A	a	b	c	d	e	f	g	
※	※	L	※	※	※	※	H	H	H	H	H	H	H	8
※	L	H	※	※	※	※	L	L	L	L	L	L	L	BLANK
L	H	H	L	L	L	L	H	H	H	H	H	H	L	0
L	H	H	L	L	L	H	L	H	H	L	L	L	L	1
L	H	H	L	L	H	L	H	H	L	H	H	L	H	2
L	H	H	L	L	H	H	H	H	H	H	L	L	H	3
L	H	H	L	H	L	L	L	H	H	L	L	H	H	4
L	H	H	L	H	L	H	H	L	H	H	L	H	H	5
L	H	H	L	H	H	L	L	L	H	H	H	H	H	6
L	H	H	L	H	H	H	H	H	H	L	L	L	L	7
L	H	H	H	L	L	L	H	H	H	H	H	H	H	8
L	H	H	H	L	L	H	H	H	H	L	L	H	H	9
L	H	H	H	L	H	※	L	L	L	L	L	L	L	BLANK
L	H	H	H	H	※	※	L	L	L	L	L	L	L	BLANK
H	H	H	※	※	※	※	Hold the stage at the leading edge of LE							

※ Don't Care

980508EBA2'

● The products described in this document are subject to foreign exchange and foreign trade laws.
 ● The information contained herein is presented only as a guide for the applications of our products. No responsibility is assumed by TOSHIBA CORPORATION for any infringements of intellectual property or other rights of the third parties which may result from its use. No license is granted by implication or otherwise under any intellectual property or other rights of TOSHIBA CORPORATION or others.
 ● The information contained herein is subject to change without notice.

LOGIC DIAGRAM



ABSOLUTE MAXIMUM RATINGS

PARAMETER	SYMBOL	VALUE	UNIT
Supply Voltage Range	V_{CC}	-0.5~7	V
DC Input Voltage	V_{IN}	-0.5~ $V_{CC}+0.5$	V
DC Output Voltage	V_{OUT}	-0.5~ $V_{CC}+0.5$	V
Input Diode Current	I_{IK}	± 20	mA
Output Diode Current	I_{OK}	± 20	mA
DC Output Current	I_{OUT}	+25 (Sinc) / -35 (Source)	mA
DC V_{CC} /Ground Current	I_{CC}	+150 (I_{CC}) / -50 (I_{GND})	mA
Power Dissipation	P_D	500 (DIP)* / 180 (SOP)	mW
Storage Temperature	T_{stg}	-65~150	°C

*500mW in the range of $T_a = -40^\circ\text{C} \sim 65^\circ\text{C}$. From $T_a = 65^\circ\text{C}$ to 85°C a derating factor of $-10\text{mW}/^\circ\text{C}$ shall be applied until 300mW.

RECOMMENDED OPERATING CONDITIONS

PARAMETER	SYMBOL	VALUE	UNIT
Supply Voltage	V_{CC}	2~6	V
Input Voltage	V_{IN}	0~ V_{CC}	V
Output Voltage	V_{OUT}	0~ V_{CC}	V
Operating Temperature	T_{opr}	-40~85	°C
Input Rise and Fall Time	t_r, t_f	0~1000 ($V_{CC} = 2.0\text{V}$) 0~500 ($V_{CC} = 4.5\text{V}$) 0~400 ($V_{CC} = 6.0\text{V}$)	ns

DC ELECTRICAL CHARACTERISTICS

PARAMETER	SYMBOL	TEST CONDITION	V_{CC} (V)	$T_a = 25^\circ\text{C}$			$T_a = -40 \sim 85^\circ\text{C}$		UNIT	
				MIN.	TYP.	MAX.	MIN.	MAX.		
High - Level Input Voltage	V_{IH}		2.0	1.50	—	—	1.50	—	V	
			4.5	3.15	—	—	3.15	—		
			6.0	4.20	—	—	4.20	—		
Low - Level Input Voltage	V_{IL}		2.0	—	—	0.50	—	0.50	V	
			4.5	—	—	1.35	—	1.35		
			6.0	—	—	1.80	—	1.80		
High - Level Output Voltage	V_{OH}	$V_{IN} = V_{IH} \text{ or } V_{IL}$	$I_{OH} = -20\mu\text{A}$	2.0	1.9	2.0	—	1.9	—	V
				4.5	4.4	4.5	—	4.4	—	
				6.0	5.9	6.0	—	5.9	—	
				4.5	4.18	4.31	—	4.13	—	
Low - Level Output Voltage	V_{OL}	$V_{IN} = V_{IH} \text{ or } V_{IL}$	$I_{OH} = -6 \text{ mA}$	4.5	3.20	3.80	—	2.90	—	V
				4.5	3.20	3.80	—	2.90	—	
				6.0	5.68	5.80	—	5.63	—	
				6.0	—	—	—	—	—	
Low - Level Output Voltage	V_{OL}	$V_{IN} = V_{IH} \text{ or } V_{IL}$	$I_{OL} = 20\mu\text{A}$	2.0	—	0.0	0.1	—	0.1	V
				4.5	—	0.0	0.1	—	0.1	
				6.0	—	0.0	0.1	—	0.1	
Low - Level Output Voltage	V_{OL}	$V_{IN} = V_{IH} \text{ or } V_{IL}$	$I_{OL} = 4 \text{ mA}$ $I_{OL} = 5.2\text{mA}$	4.5	—	0.17	0.26	—	0.33	V
				4.5	—	0.17	0.26	—	0.33	
				6.0	—	0.18	0.26	—	0.33	
Input Leakage Current	I_{IN}	$V_{IN} = V_{CC} \text{ or } \text{GND}$	6.0	—	—	± 0.1	—	± 1.0	μA	
Quiescent Supply Current	I_{CC}	$V_{IN} = V_{CC} \text{ or } \text{GND}$	6.0	—	—	4.0	—	40.0		

TIMING REQUIREMENTS (Input $t_r = t_f = 6\text{ns}$)

PARAMETER	SYMBOL	TEST CONDITION	Ta = 25°C			Ta = -40~85°C	UNIT
			V _{CC} (V)	TYP.	LIMIT	LIMIT	
Minimum Pulse Width (LE)	$t_{W(L)}$		2.0	—	75	95	ns
			4.5	—	15	19	
			6.0	—	13	16	
Minimum Set-up Time	t_s		2.0	—	75	95	
			4.5	—	15	19	
			6.0	—	13	16	
Minimum Hold Time	t_h		2.0	—	0	0	
			4.5	—	0	0	
			6.0	—	0	0	

AC ELECTRICAL CHARACTERISTICS (C_L = 15pF, V_{CC} = 5V, Ta = 25°C, Input $t_r = t_f = 6\text{ns}$)

PARAMETER	SYMBOL	TEST CONDITION	MIN.	TYP.	MAX.	UNIT
Output Transition Time	t_{TLH}		—	4	8	ns
Output Transition Time	t_{THL}		—	4	8	
Propagation Delay Time (BCD—Segment)	t_{pLH}		—	28	45	
	t_{pHL}		—	18	31	
Propagation Delay Time ($\overline{\text{BI}}$ —Segment)	t_{pLH}		—	12	21	
	t_{pHL}		—	26	44	

AC ELECTRICAL CHARACTERISTICS ($C_L = 50\text{pF}$, Input $t_r = t_f = 6\text{ns}$)

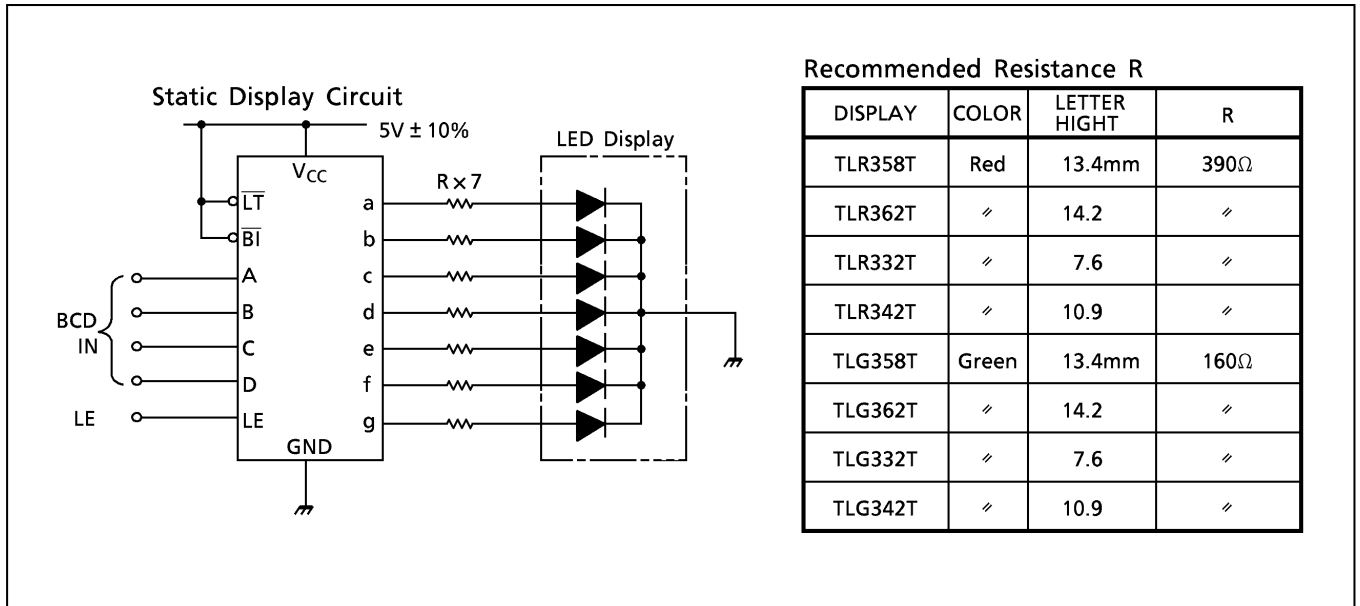
PARAMETER	SYMBOL	TEST CONDITION	Ta = 25°C			Ta = -40~85°C		UNIT	
			V _{CC} (V)	MIN.	TYP.	MAX.	MIN.		MAX.
Output Transition Time Low to High	t_{TLH}		2.0	—	25	60	—	75	ns
			4.5	—	7	12	—	15	
			6.0	—	6	11	—	13	
Output Transition Time High to Low	t_{THL}		2.0	—	30	75	—	95	
			4.5	—	8	15	—	19	
			6.0	—	7	13	—	16	
Propagation Delay Time (BCD—Segment)	t_{pLH} t_{pHL}		2.0	—	125	255	—	320	
			4.5	—	33	51	—	64	
			6.0	—	23	43	—	54	
Propagation Delay Time ($\overline{\text{BI}}$ —Segment)	t_{pLH} t_{pHL}		2.0	—	70	175	—	220	
			4.5	—	22	35	—	44	
			6.0	—	17	30	—	37	
Propagation Delay Time ($\overline{\text{LT}}$ —Segment)	t_{pLH} t_{pHL}		2.0	—	60	120	—	150	
			4.5	—	15	24	—	30	
			6.0	—	12	20	—	26	
Propagation Delay Time (LE—Segment)	t_{pLH} t_{pHL}		2.0	—	95	240	—	300	
			4.5	—	32	48	—	60	
			6.0	—	23	41	—	51	
Input Capacitance	C_{IN}		—	5	10	—	10	pF	
Power Dissipation Capacitance	C_{PD} (1)	(Note 1)	—	95	—	—	—		

Note (1) C_{PD} is defined as the value of the internal equivalent capacitance which is calculated from the operating current consumption without load.

Average operating current can be obtained by the equation :

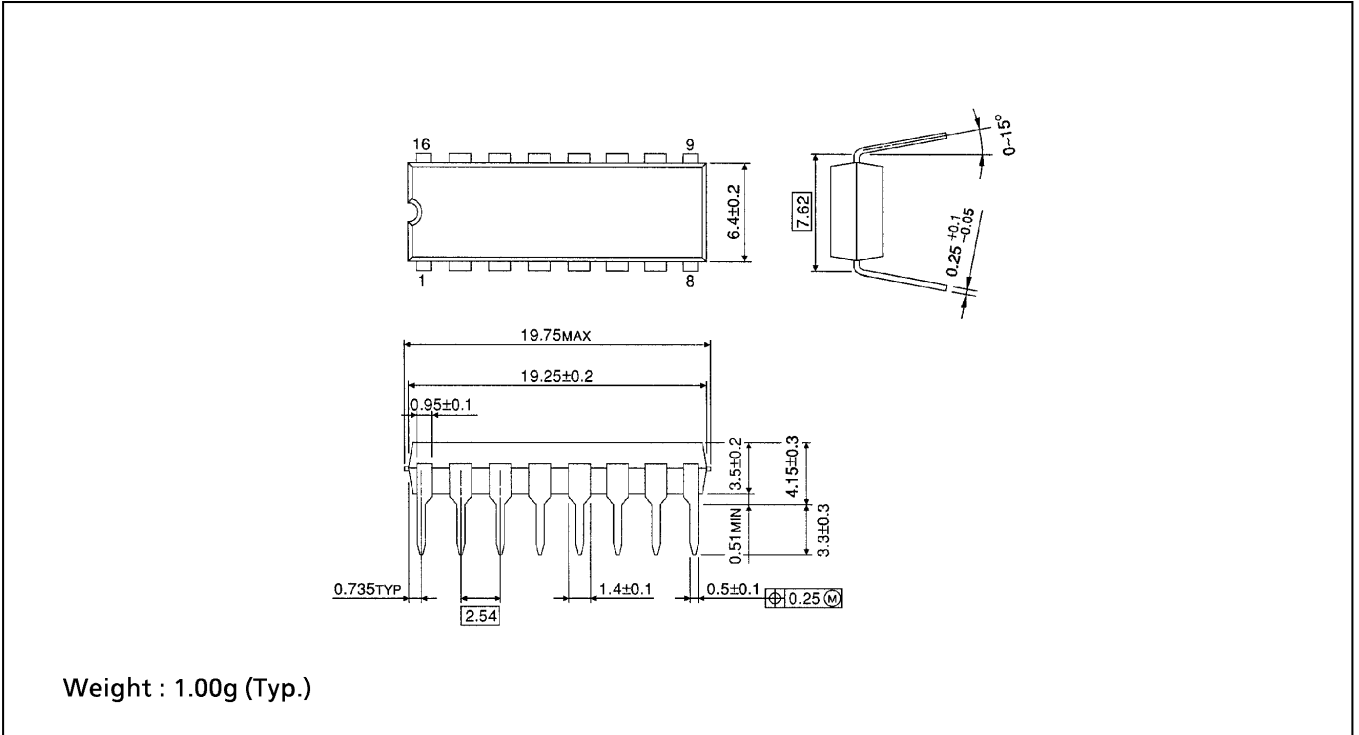
$$I_{CC}(\text{opr}) = C_{PD} \cdot V_{CC} \cdot f_{IN} + I_{CC}$$

APPLICATION CIRCUIT



DIP 16PIN OUTLINE DRAWING (DIP16-P-300-2.54A)

Unit in mm



SOP 16PIN (200mil BODY) OUTLINE DRAWING (SOP16-P-300-1.27)

Unit in mm

