

# DATA SHEET

## **TDA5636; TDA5637**

**9 V VHF, hyperband and UHF  
mixers- oscillators for TV and VCR  
3-band tuners**

Product specification  
Supersedes data of 1995 Mar 21  
File under Integrated Circuits, IC02

1996 Jun 10

## 9 V VHF, hyperband and UHF mixers-oscillators for TV and VCR 3-band tuners

## TDA5636; TDA5637

### FEATURES

- Balanced mixer with a common emitter input for band A (single input)
- 2-pin oscillator for bands A and B
- Balanced mixer with a common base input for bands B and C (balanced input)
- 4-pin oscillator for band C
- Local oscillator buffer output for external prescaler
- SAW filter preamplifier with a low output impedance to drive a 75  $\Omega$  load
- Band gap voltage stabilizer for oscillator stability
- Electronic band switch
- External IF filter between the mixer output and the IF amplifier input
- Pin to pin compatible with TDA5636B; TDA5637B family (same function with symmetrical IF output).

### APPLICATIONS

- 3-band all-channel TV and VCR tuners
- Any standard.

### GENERAL DESCRIPTION

The TDA5636 and TDA5637 are monolithic integrated circuits that perform the mixer/oscillator functions for bands A, B and C in TV and VCR tuners. These low-power mixer/oscillators require a power supply of 9 V and are available in a very small package.

The devices give the designer the capability to design an economical and physically small 3-band tuner.

They are suitable for European standards, as illustrated in Fig.17, with the following RF bands:

- 48.25 to 168.25 MHz
- 175.25 to 447.25 MHz
- 455.25 to 855.25 MHz.

With an appropriate tuned circuit, they are also suitable for NTSC all-channel tuners (USA and Japan). The tuner development time can be drastically reduced by using these devices.

These circuits belong to the TDA5636B/TDA5637B family which has exactly the same function with an IF amplifier having a symmetrical IF output to drive a SAW filter directly. It is possible to build tuners with either an asymmetrical or a symmetrical IF output with one main tuner lay-out.

# 9 V VHF, hyperband and UHF mixers- oscillators for TV and VCR 3-band tuners

TDA5636; TDA5637

**QUICK REFERENCE DATA**

SYMBOL	PARAMETER	CONDITIONS	MIN.	TYP.	MAX.	UNIT
$V_P$	supply voltage		–	9.0	–	V
$I_P$	supply current	band A	–	45	–	mA
		band B	–	41	–	mA
		band C	–	44	–	mA
$f_{RF}$	frequency range	RF input; band A; note 1	45	–	180	MHz
		RF input; band B; note 1	160	–	470	MHz
		RF input; band C; note 1	430	–	860	MHz
$G_v$	voltage gain	band A; $R_L = 75 \Omega$	–	20	–	dB
		band B; $R_L = 75 \Omega$	–	31	–	dB
		band C; $R_L = 75 \Omega$	–	31	–	dB
NF	noise figure	band A; $R_L = 75 \Omega$	–	7.5	–	dB
		band B; $R_L = 75 \Omega$	–	6	–	dB
		band C; $R_L = 75 \Omega$	–	7	–	dB
$V_o$	output voltage to get 1% cross modulation in channel	band A; $R_L = 75 \Omega$	–	110	–	dB $\mu$ V
		band B; $R_L = 75 \Omega$	–	110	–	dB $\mu$ V
		band C; $R_L = 75 \Omega$	–	110	–	dB $\mu$ V

**Note**

- The limits are related to the tank circuits used in Fig.17 and the intermediate frequency. Frequency bands may be adjusted by the choice of external components.

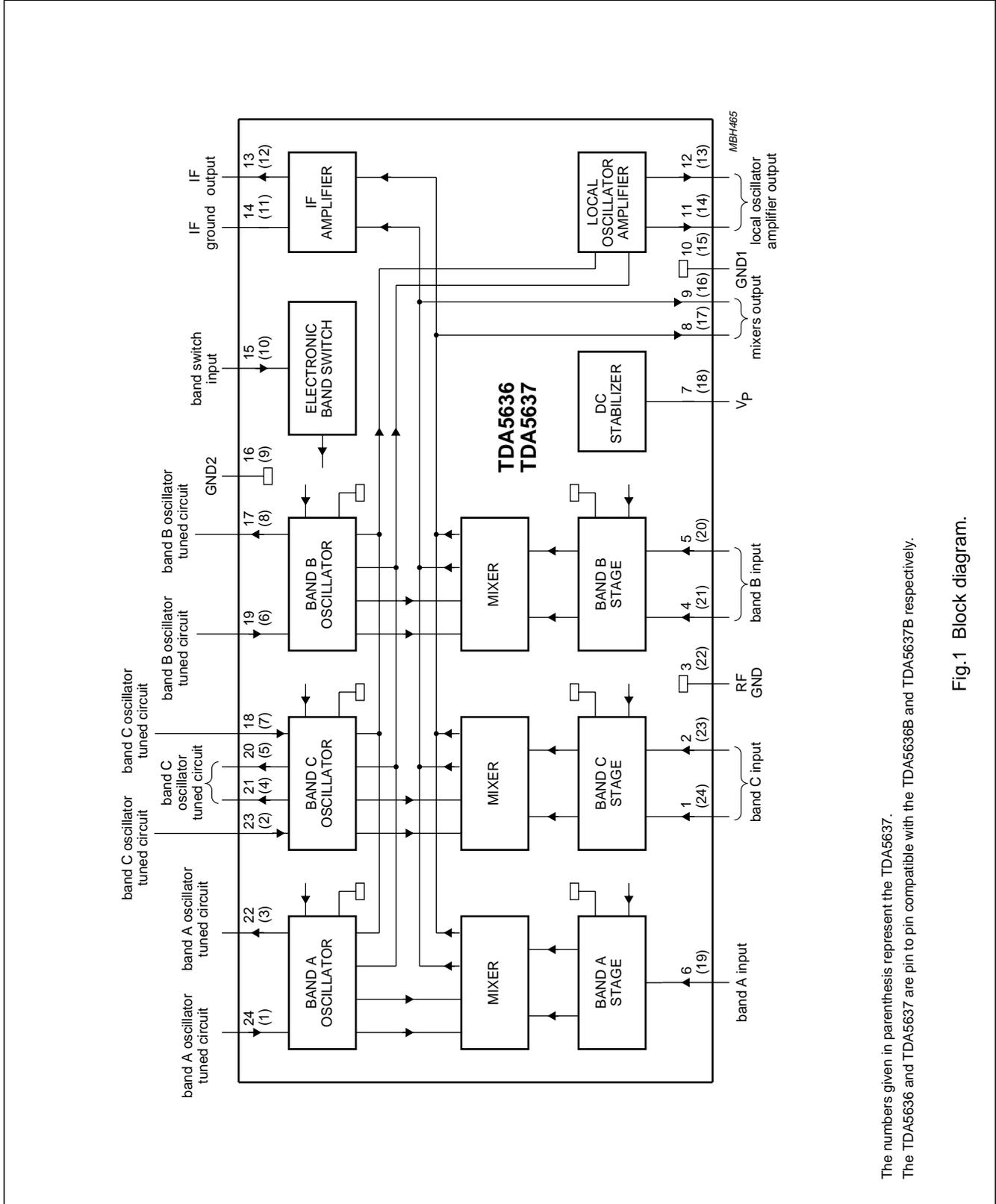
**ORDERING INFORMATION**

TYPE NUMBER	PACKAGE		
	NAME	DESCRIPTION	VERSION
TDA5636T	SO24	plastic small outline package; 24 leads; body width 7.5 mm	SOT137-1
TDA5636M	SSOP24	plastic shrink small outline package; 24 leads; body width 5.3 mm	SOT340-1
TDA5637T	SO24	plastic small outline package; 24 leads; body width 7.5 mm	SOT137-1
TDA5637M	SSOP24	plastic shrink small outline package; 24 leads; body width 5.3 mm	SOT340-1

9 V VHF, hyperband and UHF mixers-oscillators for TV and VCR 3-band tuners

TDA5636; TDA5637

BLOCK DIAGRAM



The numbers given in parenthesis represent the TDA5637. The TDA5636 and TDA5637 are pin to pin compatible with the TDA5636B and TDA5637B respectively.

Fig.1 Block diagram.

## 9 V VHF, hyperband and UHF mixers- oscillators for TV and VCR 3-band tuners

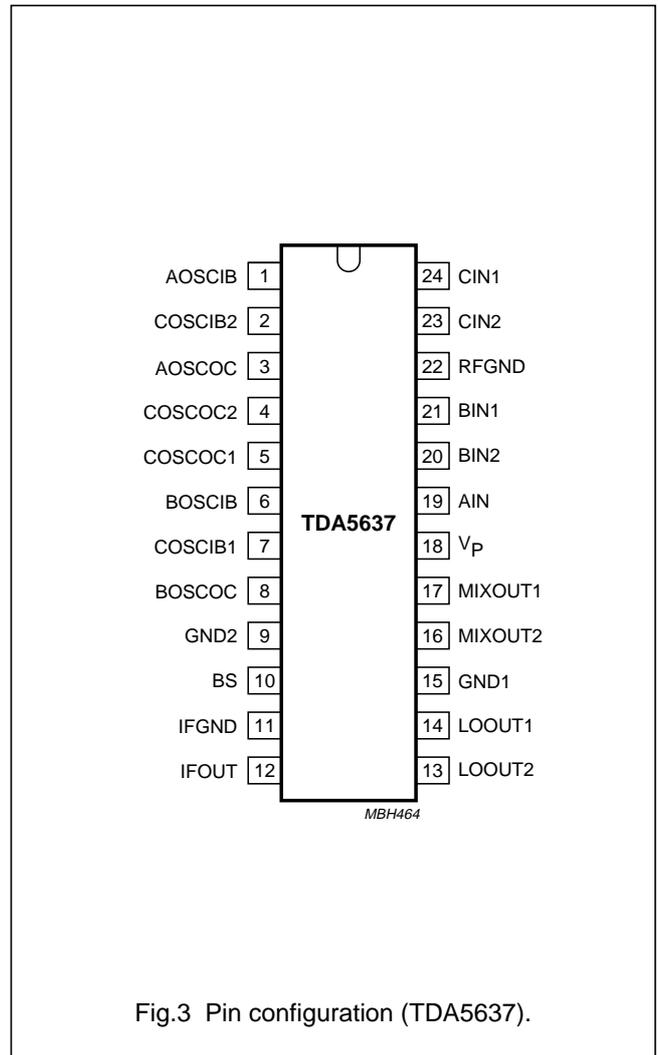
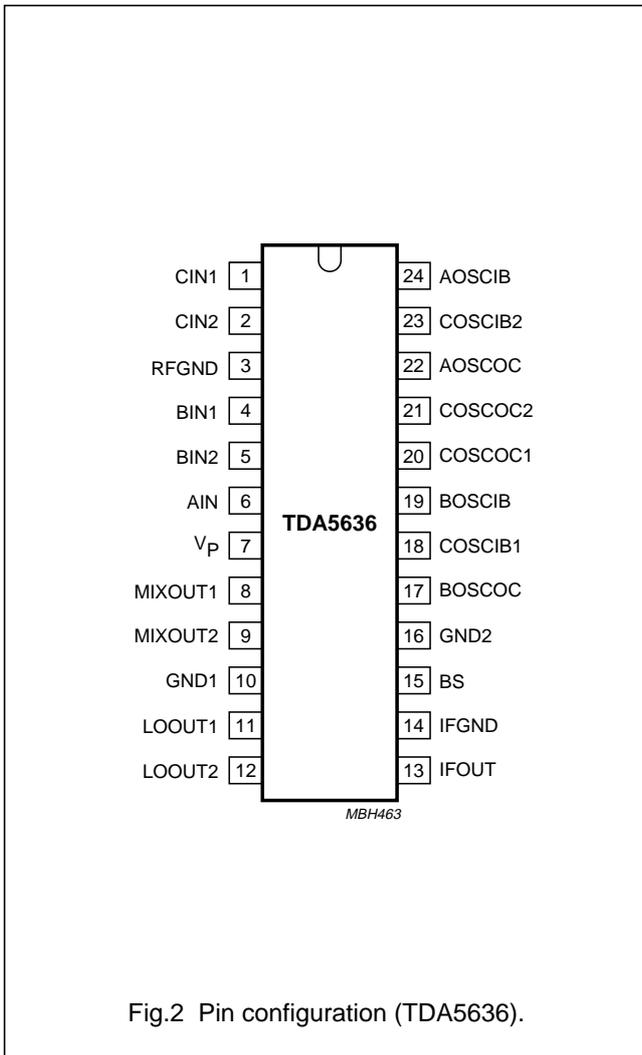
TDA5636; TDA5637

### PINNING

SYMBOL	PIN		DESCRIPTION
	TDA5636	TDA5637	
CIN1	1	24	band C input 1
CIN2	2	23	band C input 2
RFGND	3	22	ground for RF inputs
BIN1	4	21	band B input 1
BIN2	5	20	band B input 2
AIN	6	19	band A input
V <sub>P</sub>	7	18	supply voltage
MIXOUT1	8	17	mixers output 1
MIXOUT2	9	16	mixers output 2
GND1	10	15	ground 1 (0 V)
LOOUT1	11	14	local oscillator amplifier output 1
LOOUT2	12	13	local oscillator amplifier output 2
IFOUT	13	12	IF amplifier output
IFGND	14	11	IF amplifier ground
BS	15	10	electronic band switch input
GND2	16	9	ground 2 (0 V)
BOSCOC	17	8	band B oscillator output collector
COSCIB1	18	7	band C oscillator input base 1
BOSCIB	19	6	band B oscillator input base
COSCOC1	20	5	band C oscillator output collector 1
COSCOC2	21	4	band C oscillator output collector 2
AOSCOC	22	3	band A oscillator output collector
COSCIB2	23	2	band C oscillator input base 2
AOSCIB	24	1	band A oscillator input base

9 V VHF, hyperband and UHF mixers-oscillators for TV and VCR 3-band tuners

TDA5636; TDA5637



## 9 V VHF, hyperband and UHF mixers- oscillators for TV and VCR 3-band tuners

TDA5636; TDA5637

### LIMITING VALUES

In accordance with the Absolute Maximum Rating System (IEC 134).

SYMBOL	PARAMETER	MIN.	MAX.	UNIT
$V_P$	supply voltage	-0.3	+10.5	V
$V_{SW}$	switching voltage	0	10.5	V
$I_O$	output current of each pin to ground	-	-10	mA
$t_{sc(max)}$	maximum short-circuit time (all pins)	-	10	s
$T_{stg}$	IC storage temperature	-55	+150	°C
$T_{amb}$	operating ambient temperature	-10	+80	°C
$T_j$	junction temperature	-	+150	°C

### THERMAL CHARACTERISTICS

SYMBOL	PARAMETER	TYPICAL VALUE	UNIT
$R_{th\ j-a}$	thermal resistance from junction to ambient in free air		
	SSOP	120	K/W
	SO	75	K/W

### HANDLING

#### Human Body Model

For TDA5636 GND (10, 16), RFGND (3), IFGND (14) and  $V_P$  (7) are separate.

For TDA5637 GND (9, 15), RFGND (22), IFGND (11) and  $V_P$  (18) are separate.

All pins withstand 2000 V in accordance with the "UZW-BO/FQ-A302" specification equivalent to the "MIL-STD-883C" category B (2000 V).

#### Machine Model

All pins withstand 200 V in accordance with the "UZW-BO/FQ-B302 (issue date: Nov 6th, 1990)" specification.

# 9 V VHF, hyperband and UHF mixers- oscillators for TV and VCR 3-band tuners

TDA5636; TDA5637

**CHARACTERISTICS** $V_P = 9\text{ V}$ ;  $T_{amb} = 25\text{ °C}$ ; measured in circuit of Fig.17; unless otherwise specified.

SYMBOL	PARAMETER	CONDITIONS	MIN.	TYP.	MAX.	UNIT
<b>Supply</b>						
$V_P$	supply voltage		8.1	9.0	9.9	V
$I_P$	supply current	band A	–	45	50.5	mA
		band B	–	41	46	mA
		band C	–	44	49	mA
$V_{SW}$	switching voltage	band A	0	–	1.1	V
		band B	1.6	–	2.4	V
		band C	3.0	–	$V_P$	V
$I_{SW}$	switching current	band A	–	–	2	$\mu\text{A}$
		band B	–	–	5	$\mu\text{A}$
		band C; $V_{SW(C)} = 5\text{ V}$	–	–	10	$\mu\text{A}$
<b>Band A mixer (including IF amplifier)</b>						
$f_{RF}$	frequency range	note 1	45	–	180	MHz
$G_v$	voltage gain	$R_L = 75\ \Omega$ ; $f_{RF} = 50\text{ MHz}$ ; see Fig.4	17.5	20.0	22.5	dB
		$R_L = 75\ \Omega$ ; $f_{RF} = 180\text{ MHz}$ ; see Fig.4	17.5	20.0	22.5	dB
NF	noise figure	$R_L = 75\ \Omega$ ; $f_{RF} = 50\text{ MHz}$ ; see Figs 5 and 6.	–	7.5	9.5	dB
		$R_L = 75\ \Omega$ ; $f_{RF} = 180\text{ MHz}$ ; see Figs 5 and 6.	–	7.5	9.5	dB
$V_o$	output voltage	1% cross-modulation in channel; $R_L = 75\ \Omega$ ; $f_{RF} = 50\text{ MHz}$ ; see Fig.7	107	110	–	$\text{dB}\mu\text{V}$
		1% cross-modulation in channel; $R_L = 75\ \Omega$ ; $f_{RF} = 180\text{ MHz}$ ; see Fig.7	107	110	–	$\text{dB}\mu\text{V}$
$V_i$	input voltage	10 kHz pulling in channel; $f_{RF} = 180\text{ MHz}$ ; note 6	–	100	–	$\text{dB}\mu\text{V}$
$g_{os}$	optimum source conductance	$f_{RF} = 50\text{ MHz}$	–	0.5	–	mS
		$f_{RF} = 180\text{ MHz}$	–	1	–	mS
$Y_i$	input admittance	see Fig.12	–	–	–	mS
$C_i$	input capacitance	$f_{RF} = 50\text{ to }180\text{ MHz}$ ; see Fig.12	–	2	–	pF
<b>Band A oscillator</b>						
$f_{osc}$	frequency range	note 2	80	–	216	MHz
$f_{shift}$	frequency shift	$\Delta V_P = 10\%$ ; note 3	–	–	200	kHz
$f_{drift}$	frequency drift	$\Delta T = 25\text{ °C}$ with no compensation; NP0 capacitors; note 4	–	–	600	kHz
		5 s to 15 min after switching on; note 5	–	–	200	kHz

9 V VHF, hyperband and UHF mixers-  
oscillators for TV and VCR 3-band tuners

## TDA5636; TDA5637

SYMBOL	PARAMETER	CONDITIONS	MIN.	TYP.	MAX.	UNIT
<b>Band B mixer (including IF amplifier)</b>						
$f_{RF}$	frequency range	note 1	160	–	470	MHz
$G_v$	voltage gain	$R_L = 75 \Omega$ ; $f_{RF} = 170$ MHz; see Fig.8	28	31	34	dB
		$R_L = 75 \Omega$ ; $f_{RF} = 470$ MHz; see Fig.8	28	31	34	dB
NF	noise figure (not corrected for image)	$R_L = 75 \Omega$ ; $f_{RF} = 170$ MHz; see Fig.9	–	6.0	8.0	dB
		$R_L = 75 \Omega$ ; $f_{RF} = 470$ MHz; see Fig.9	–	7.0	9.0	dB
$V_o$	output voltage	1% cross-modulation in channel; $R_L = 75 \Omega$ ; $f_{RF} = 170$ MHz; see Fig.10	107	110	–	dB $\mu$ V
		1% cross-modulation in channel; $R_L = 75 \Omega$ ; $f_{RF} = 470$ MHz; see Fig.10	107	110	–	dB $\mu$ V
$V_i$	input voltage	10 kHz pulling in channel; $f_{RF} = 470$ MHz; note 6	–	91	–	dB $\mu$ V
	input voltage	N + 5 – 1 MHz pulling; $f_{RF} = 430$ MHz; see Fig.11	–	77	–	dB $\mu$ V
$Z_i$	input impedance ( $R_s + jL_s\omega$ )	$f_{RF} = 170$ to 470 MHz; see Fig.13	–	30	–	$\Omega$
		$f_{RF} = 170$ to 470 MHz; see Fig.13	–	10	–	nH
<b>Band B oscillator</b>						
$f_{OSC}$	frequency range	note 2	200	–	500	MHz
$f_{shift}$	frequency shift	$\Delta V_P = 10\%$ ; note 3	–	–	400	kHz
$f_{drift}$	frequency drift	$\Delta T = 25$ °C with no compensation; NP0 capacitors; note 4	–	–	2	MHz
		5 s to 15 min after switching on; note 5	–	–	300	kHz
<b>Band C mixer (including IF amplifier)</b>						
$f_{RF}$	frequency range	note 1	430	–	860	MHz
$G_v$	voltage gain	$R_L = 75 \Omega$ ; $f_{RF} = 430$ MHz; see Fig.8	28	31	34	dB
		$R_L = 75 \Omega$ ; $f_{RF} = 860$ MHz; see Fig.8	28	31	34	dB
NF	noise figure (not corrected for image)	$R_L = 75 \Omega$ ; $f_{RF} = 430$ MHz; see Fig.9	–	7.0	9.0	dB
		$R_L = 75 \Omega$ ; $f_{RF} = 860$ MHz; see Fig.9	–	8.0	10.0	dB
$V_o$	output voltage	1% cross-modulation in channel; $R_L = 75 \Omega$ ; $f_{RF} = 430$ MHz; see Fig.10	107	110	–	dB $\mu$ V
		1% cross-modulation in channel; $R_L = 75 \Omega$ ; $f_{RF} = 860$ MHz; see Fig.10	107	110	–	dB $\mu$ V
$V_i$	input voltage	10 kHz pulling in channel; $f_{RF} = 860$ MHz; note 6	–	93	–	dB $\mu$ V
	input voltage	N + 5 – 1 MHz pulling; $f_{RF} = 820$ MHz; see Fig.11	–	79	–	dB $\mu$ V
$Z_i$	input impedance ( $R_s + jL_s\omega$ )	$f_{RF} = 430$ to 860 MHz; see Fig.14	–	40	–	$\Omega$
		$f_{RF} = 430$ to 860 MHz; see Fig.14	–	10	–	nH

# 9 V VHF, hyperband and UHF mixers- oscillators for TV and VCR 3-band tuners

TDA5636; TDA5637

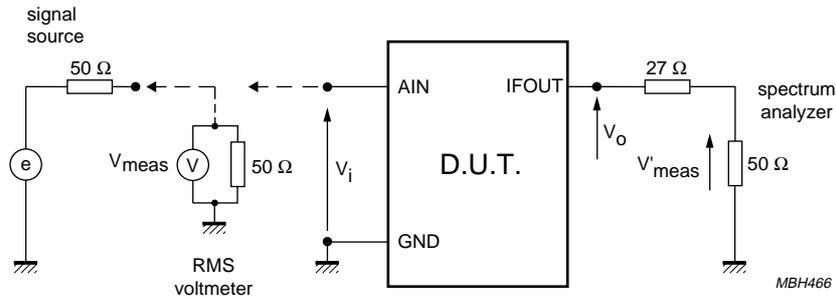
SYMBOL	PARAMETER	CONDITIONS	MIN.	TYP.	MAX.	UNIT
<b>Band C oscillator</b>						
$f_{osc}$	frequency range	note 2	470	–	900	MHz
$f_{shift}$	frequency shift	$\Delta V_P = 10\%$ ; note 3	–	–	500	kHz
$f_{drift}$	frequency drift	$\Delta T = 25\text{ }^\circ\text{C}$ with compensation; note 4	–	–	1400	kHz
		5 s to 15 min after switching on; note 5	–	–	400	kHz
<b>LO output</b>						
$S_{22}$	output reflection coefficient	see Fig.16	–	–	–	
$Y_o$	output admittance ( $Y_p + j\omega C_p$ )	see Fig.16	–	400	–	$\Omega$
		see Fig.16	–	0.7	–	pF
$V_o$	output voltage	$R_L = 50\ \Omega$	83	91	100	$\text{dB}\mu\text{V}$
SRF	spurious signal on LO output with respect to LO output signal	$R_L = 50\ \Omega$ ; note 7	–	–	–10	dBc
HLO	LO signal harmonics with respect to LO signal	$R_L = 50\ \Omega$	–	–	–10	dBc
<b>IF amplifier</b>						
$S_{22}$	output reflection coefficient	magnitude; through 1 nF; see Fig.15	–	–14.5	–	dB
		phase; through 1 nF; see Fig.15	–	5.5	–	deg.
$Z_o$	output impedance ( $R_s + j\omega L_s$ )	$R_s$ ; through 1 nF	–	73	–	$\Omega$
		$L_s$ ; through 1 nF	–	12	–	nH

**Notes**

- The RF frequency range is defined by the oscillator frequency range and the intermediate frequency.
- Limits are related to the tank circuits used in Fig.17; frequency bands may be adjusted by the choice of external components.
- The frequency shift is defined as the change in oscillator frequency when the supply voltage varies from  $V_P = 9$  to 8.1 V or from  $V_P = 9$  to 9.9 V.
- The frequency drift is defined as the change in oscillator frequency when the ambient temperature varies from  $T_{amb} = 25$  to 0  $^\circ\text{C}$  or from  $T_{amb} = 25$  to 50  $^\circ\text{C}$ .
- Switching on drift is defined as the change in oscillator frequency between 5 s and 15 min after switching on.
- The input level causing 10 kHz frequency detuning at the LO output;  $f_{osc} = f_{RF} + 38.9$  MHz.
- SRF: spurious signal on LO with respect to LO output signal:
  - RF level = 120  $\text{dB}\mu\text{V}$  at  $f_{RF} < 180$  MHz
  - RF level = 107.5  $\text{dB}\mu\text{V}$  at  $f_{RF} = 180$  to 225 MHz
  - RF level = 97  $\text{dB}\mu\text{V}$  at  $f_{RF} = 225$  to 860 MHz.

9 V VHF, hyperband and UHF mixers-oscillators for TV and VCR 3-band tuners

TDA5636; TDA5637

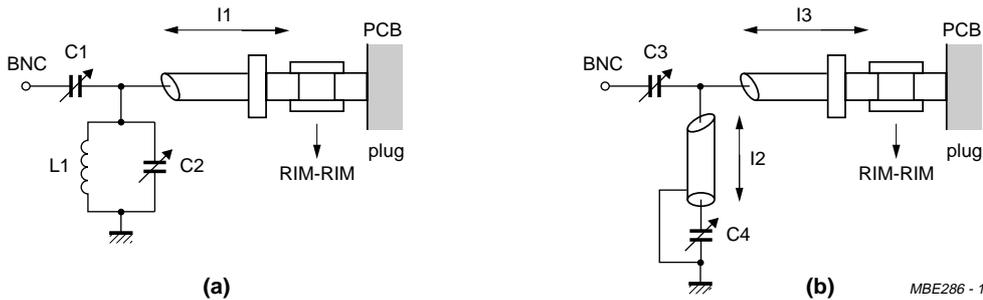


$$Z_i (\text{AIN}) \gg 50 \Omega \Rightarrow V_i = 2 \times V_{\text{meas}}$$

$$V_o = V'_{\text{meas}} \times \left( \frac{50 + 27}{50} \right)$$

$$G_v = 20 \log \frac{V_o}{V_i}$$

Fig.4 Band A gain measurement.



**(a) For  $f_{RF} = 50 \text{ MHz}$ :**

mixer A frequency response measured = 57 MHz, loss = 0 dB.  
image suppression = 16 dB.

C1 = 9 pF.

C2 = 15 pF.

L1 = 7 turns (diameter. = 5.5 mm, wire diameter. = 0.5 mm).

I1 = semi rigid cable (RIM): 5 cm long

(semi rigid cable (RIM); 33 dB/100 m; 50 Ω; 96 pF/m).

**(b) For  $f_{RF} = 150 \text{ MHz}$ :**

mixer A frequency response measured = 150.3 MHz, loss = 1.3 dB.  
image suppression = 13 dB.

C3 = 5 pF.

C4 = 25 pF.

I2 = semi rigid cable (RIM): 30 cm long.

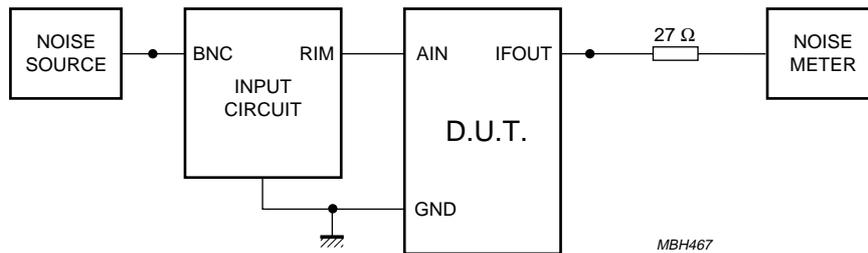
I3 = semi rigid cable (RIM): 5 cm long

(semi rigid cable (RIM); 33 dB/100 m; 50 Ω; 96 pF/m).

Fig.5 Input circuit for optimum noise figure in band A.

9 V VHF, hyperband and UHF mixers-oscillators for TV and VCR 3-band tuners

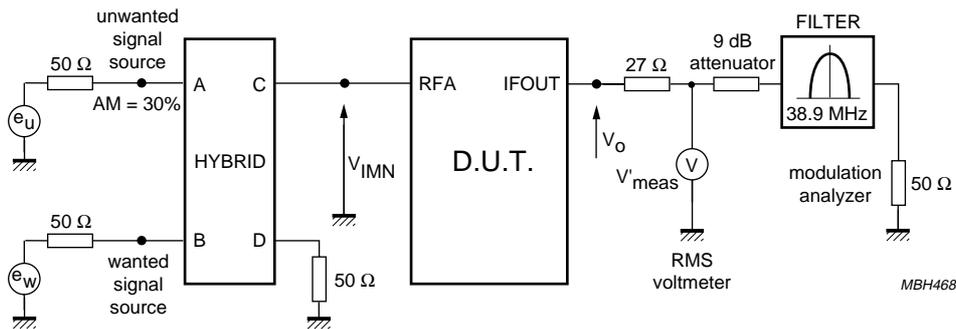
TDA5636; TDA5637



MBH467

Input circuit as shown in Fig.5.  
 $NF = NF_{meas} - loss_{(input\ circuit)}\text{ dB.}$

Fig.6 Noise figure measurement in band A.



MBH468

Wanted output signal at  $f_{RFW}$ ;  $V_{ow} = 100\text{ dB}\mu\text{V.}$

We measure the level of the unwanted signal  $V_{ou}$  causing 0.3 % AM modulation in the wanted output signal;  $V_{ou} = V'_{meas} \times \left(\frac{50 + 27}{50}\right).$

$f_{RFW} = 50\text{ MHz, } f_{RFU} = 55.5\text{ MHz, } f_{OSC} = 88.9\text{ MHz.}$

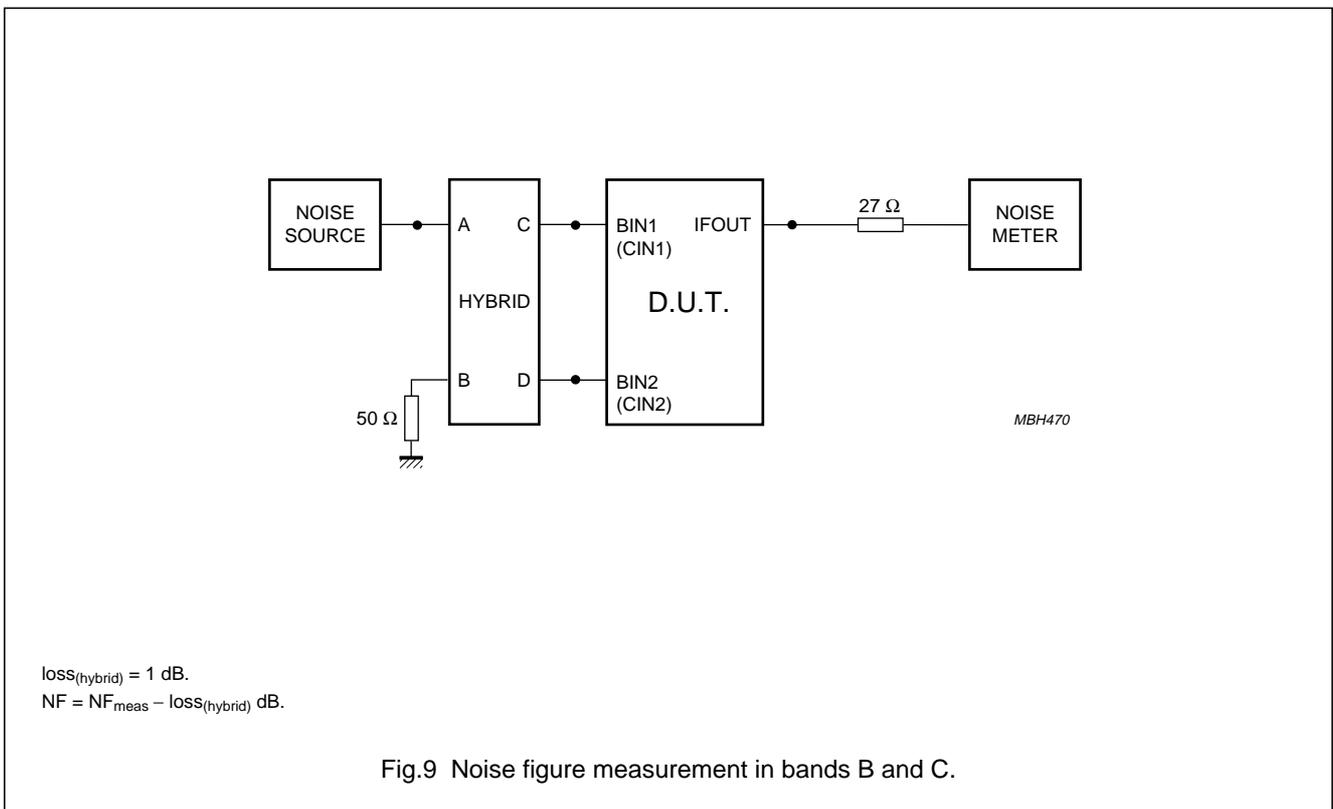
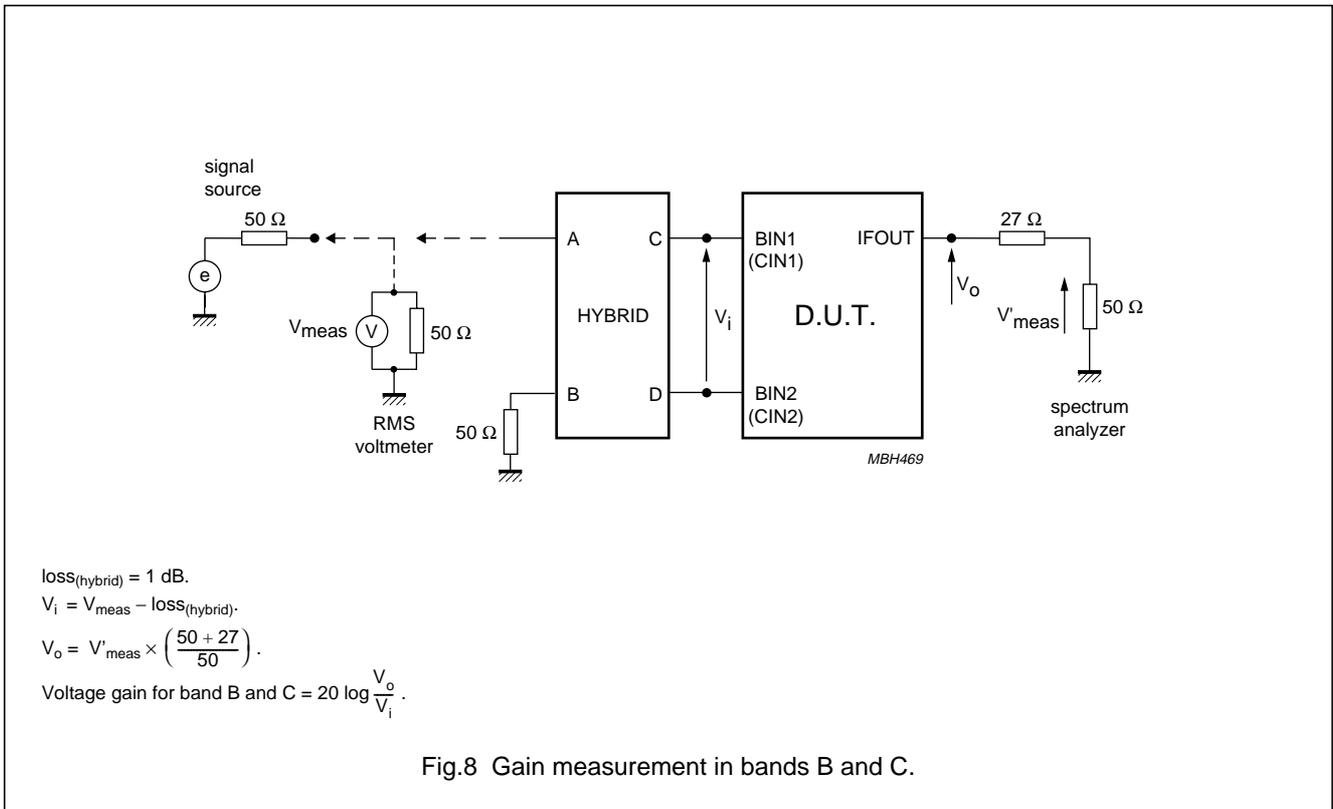
$f_{RFW} = 180\text{ MHz, } f_{RFU} = 185.5\text{ MHz, } f_{OSC} = 218.9\text{ MHz.}$

Filter characteristics:  $f_c = 38.9\text{ MHz, } f_{-3\text{dB}} = 1.2\text{ MHz, } f_{-30\text{dB}} = 2.64\text{ MHz.}$

Fig.7 Cross modulation measurement in band A.

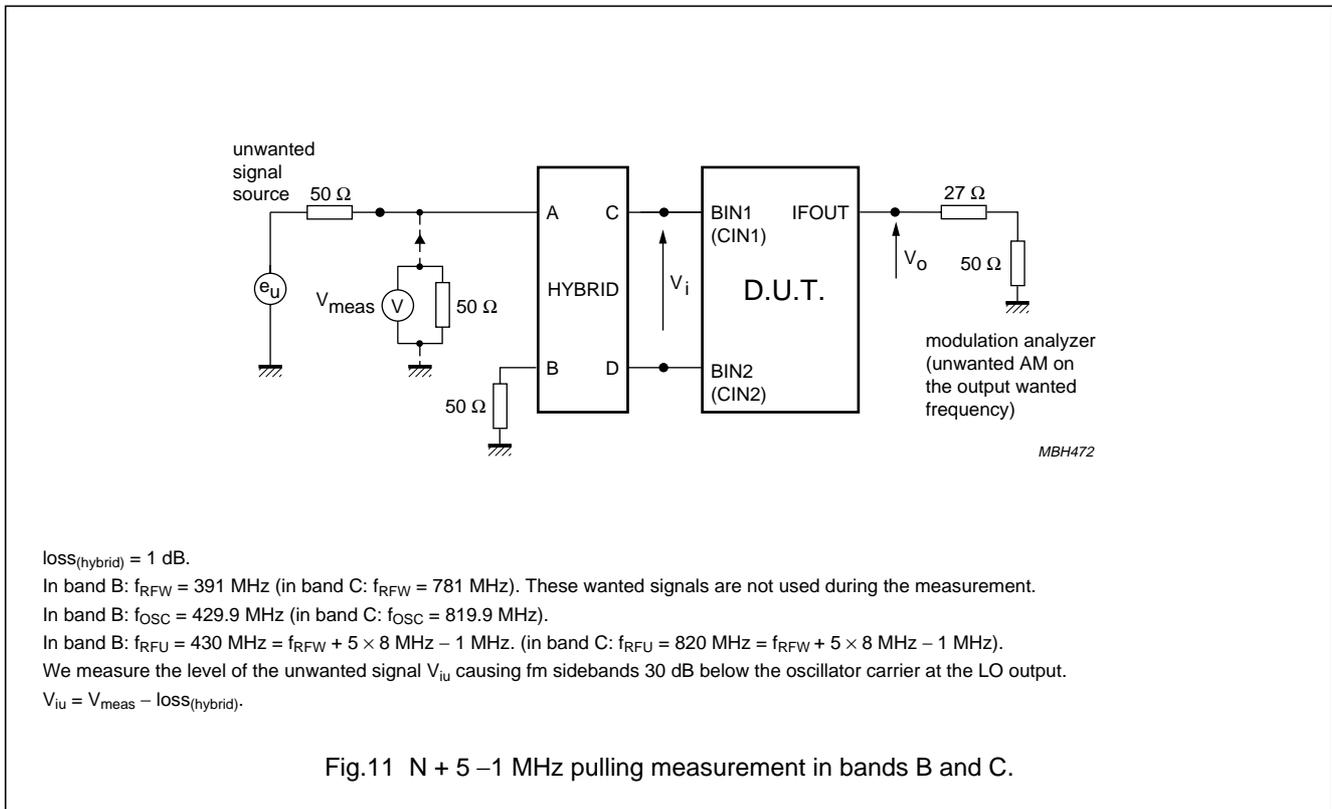
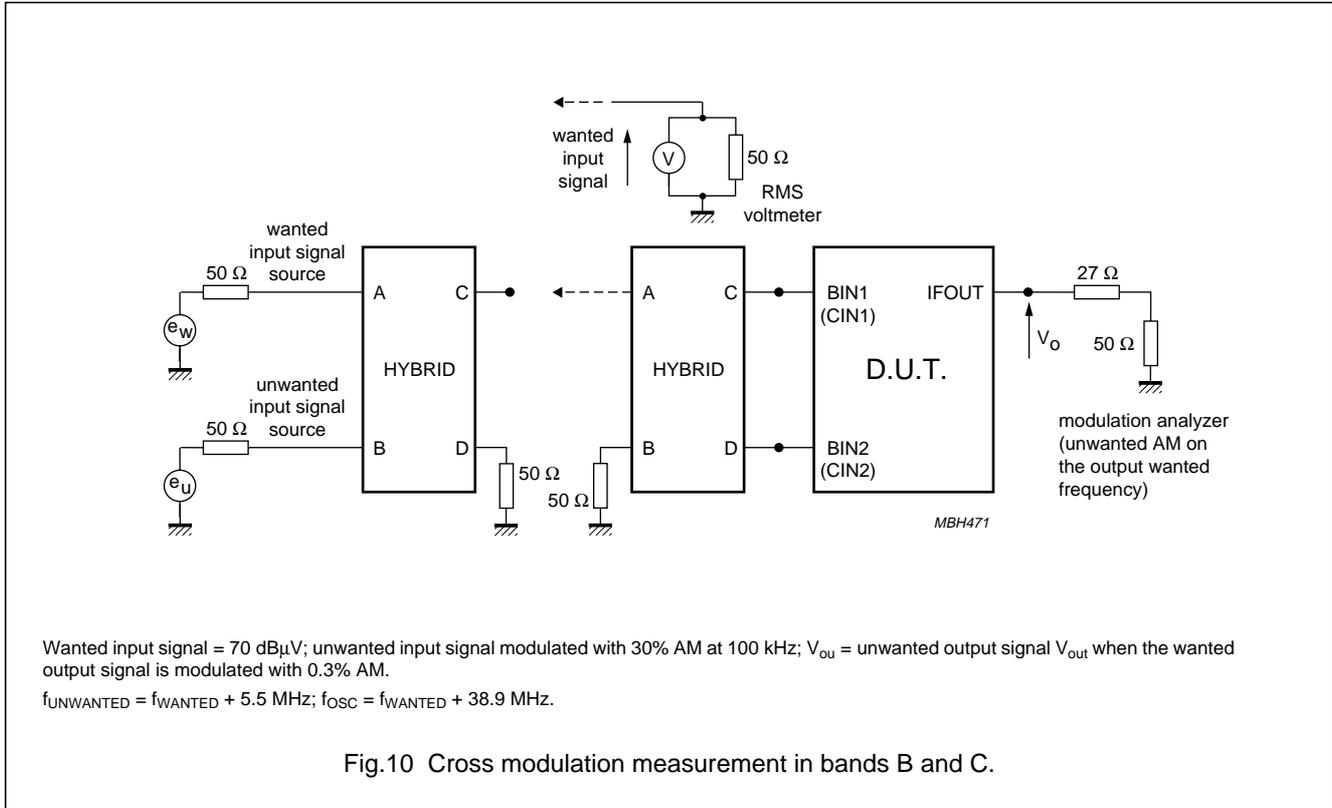
9 V VHF, hyperband and UHF mixers-oscillators for TV and VCR 3-band tuners

TDA5636; TDA5637



9 V VHF, hyperband and UHF mixers-oscillators for TV and VCR 3-band tuners

TDA5636; TDA5637



9 V VHF, hyperband and UHF mixers-oscillators for TV and VCR 3-band tuners

TDA5636; TDA5637

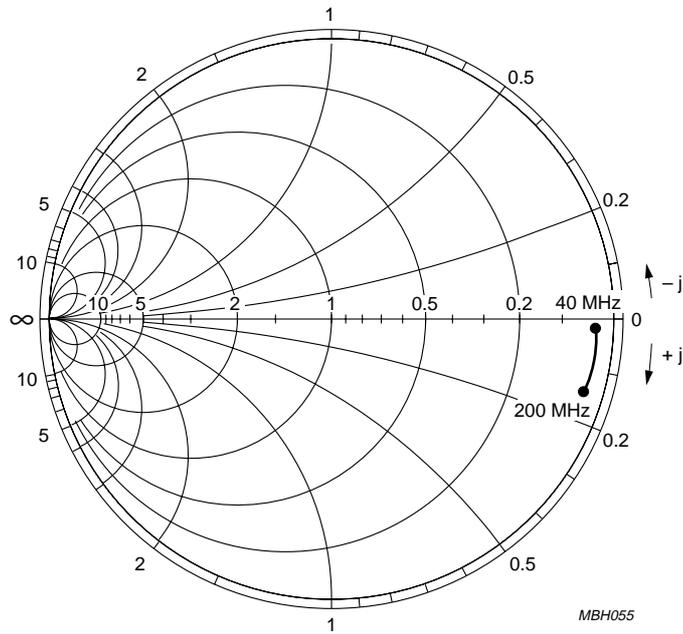


Fig.12 Input admittance ( $S_{11}$ ) of the band A mixer input (40 to 200 MHz);  $Y_o = 20 \text{ mS}$ .

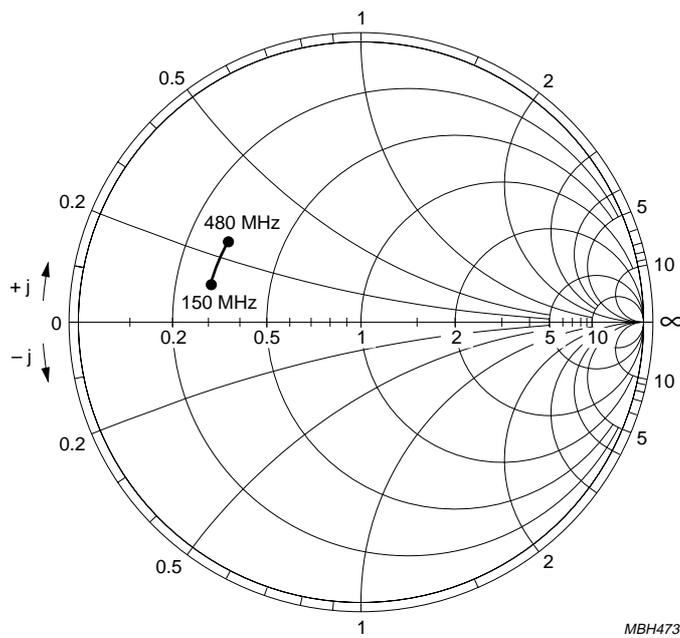


Fig.13 Input impedance ( $S_{11}$ ) of the band B mixer input (150 to 480 MHz);  $Z_o = 100 \Omega$ .

9 V VHF, hyperband and UHF mixers-oscillators for TV and VCR 3-band tuners

TDA5636; TDA5637

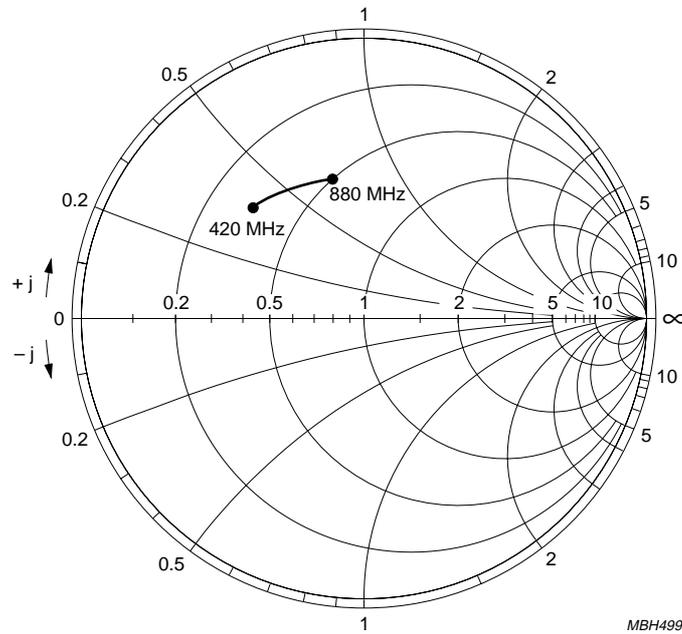


Fig.14 Input impedance ( $S_{11}$ ) of the band C mixer input (420 to 880 MHz);  $Z_0 = 100 \Omega$ .

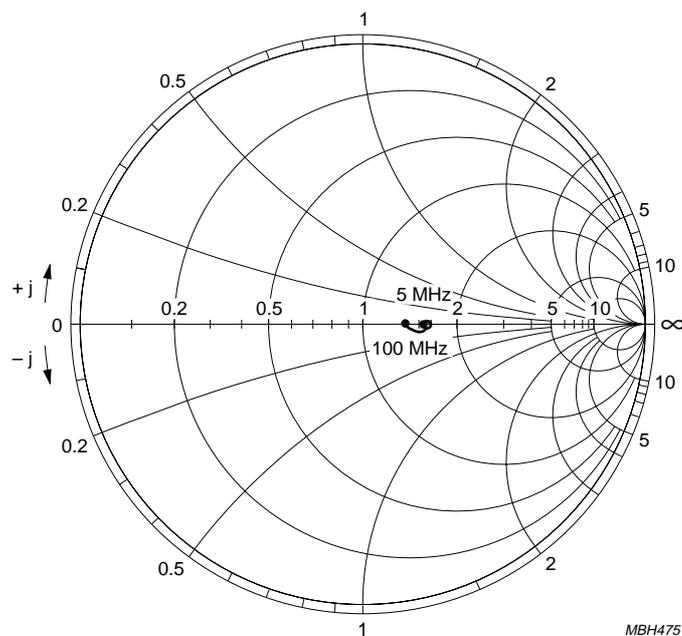


Fig.15 Output impedance ( $S_{22}$ ) of the IF amplifier (20 to 60 MHz);  $Z_0 = 50 \Omega$ .

9 V VHF, hyperband and UHF mixers-oscillators for TV and VCR 3-band tuners

TDA5636; TDA5637

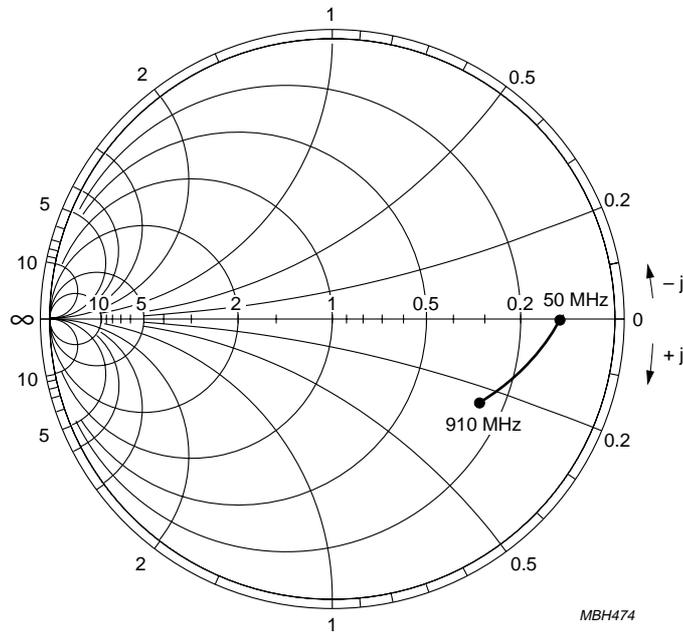
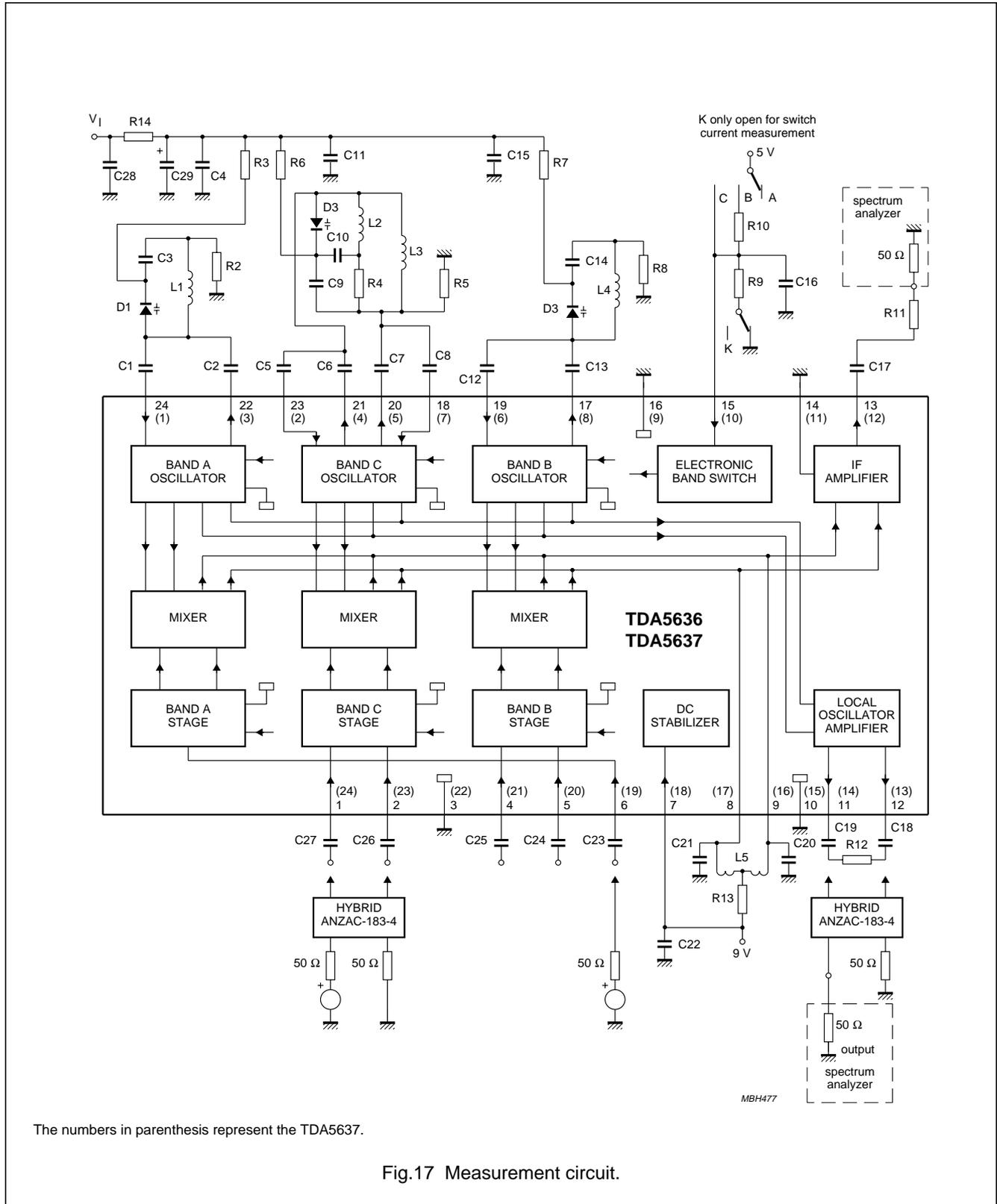


Fig.16 Output admittance ( $S_{22}$ ) of the LO amplifier (50 to 910 MHz);  $Y_0 = 20 \text{ mS}$ .

9 V VHF, hyperband and UHF mixers-oscillators for TV and VCR 3-band tuners

TDA5636; TDA5637

APPLICATION INFORMATION



## 9 V VHF, hyperband and UHF mixers-oscillators for TV and VCR 3-band tuners

TDA5636; TDA5637

### Application diagram component values

**Table 1** Capacitors  
(all SMD and NP0 except C5 to C9 and C29)

NUMBER	VALUE
C1	2 pF
C2	2 pF
C3	82 pF
C4	2.2 nF
C5	1 pF (N750)
C6	1 pF (N750)
C7	1 pF (N750)
C8	1 pF (N750)
C9	6 pF (N470)
C10	100 pF
C11	2.2 nF
C12	2 pF
C13	4 pF
C14	150 pF
C15	2.2 nF
C16	1.2 nF
C17	1 nF
C18	1 nF
C19	1 nF
C20	12 pF
C21	12 pF
C22	22 nF
C23	1 nF
C24	1 nF
C25	1 nF
C26	1 nF
C27	1 nF
C28	2.2 nF
C29	1 $\mu$ F (40 V electrolytic capacitor)

**Table 2** Resistors (all SMD)

NUMBER	VALUE
R2	22 $\Omega$
R3	47 k $\Omega$
R4	2.2 k $\Omega$
R5	22 k $\Omega$
R6	47 k $\Omega$
R7	47 k $\Omega$
R8	12 $\Omega$
R9	15 k $\Omega$
R10	33 k $\Omega$
R11	27 $\Omega$
R12	100 $\Omega$
R13	150 $\Omega$
R14	47 k $\Omega$

**Table 3** Diodes, coils and transformers

NUMBER	VALUE
<b>Diodes</b>	
D1	BB132
D2	BB134
D3	BB146
<b>Coils<sup>(1)</sup></b>	
L1	8 turns ( $\varnothing$ 3 mm)
L2	2 turns ( $\varnothing$ 2.5 mm)
L3	3 turns ( $\varnothing$ 2.5 mm)
L4	2 turns ( $\varnothing$ 4 mm)
<b>Transformer<sup>(2)</sup></b>	
L5	2 $\times$ 6 turns

#### Notes

- Wire size for L1 to L4 is 0.4 mm.
- Coil type: TOKO 7KN; material: 113 KN, screw core: 03-0093, pot core: 04-0026.

9 V VHF, hyperband and UHF mixers-oscillators for TV and VCR 3-band tuners

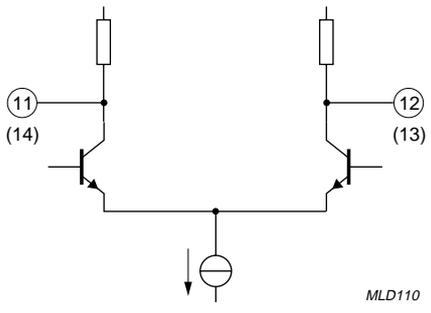
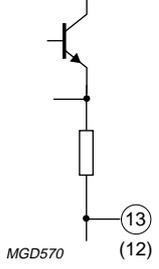
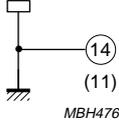
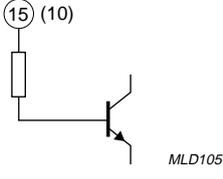
TDA5636; TDA5637

INTERNAL PIN CONFIGURATION

SYMBOL	PIN		DESCRIPTION	AVERAGE DC VOLTAGE <sup>(1)</sup> IN (V)		
	TDA5636B	TDA5637B		BAND A	BAND B	BAND C
CIN1	1	24		0	0	2.2
CIN2	2	23		0	0	2.2
RFGND	3	22		0	0	0
BIN1	4	21		0	2.2	0
BIN2	5	20		0	2.2	0
AIN	6	19		2.2	1.2	1.2
V <sub>P</sub>	7	18	supply voltage	9.0	9.0	9.0
MIXOUT1	8	17		8.4	8.4	8.4
MIXOUT2	9	16		8.4	8.4	8.4

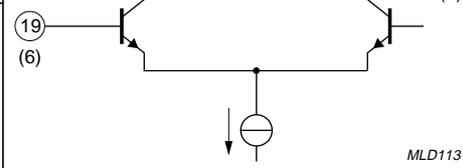
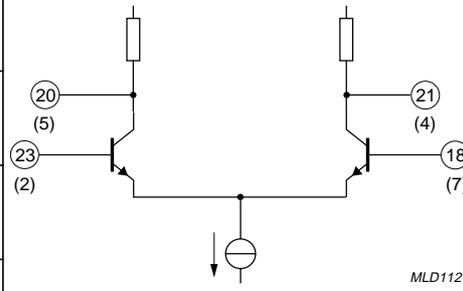
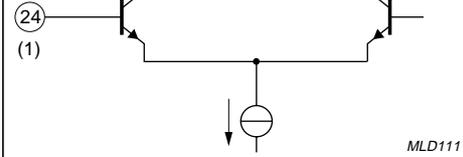
9 V VHF, hyperband and UHF mixers-oscillators for TV and VCR 3-band tuners

TDA5636; TDA5637

SYMBOL	PIN		DESCRIPTION	AVERAGE DC VOLTAGE <sup>(1)</sup> IN (V)		
	TDA5636B	TDA5637B		BAND A	BAND B	BAND C
GND1	10	15		0	0	0
GND2	16	9		0	0	0
LOOUT1	11	14		5.6	5.6	5.6
LOOUT2	12	13		5.6	5.6	5.6
IFOUT	13	12		4.4	4.4	4.4
IFGND	14	11		0.0	0.0	0.0
BS	15	10		$V_{SW(A)}$	$V_{SW(B)}$	$V_{SW(C)}$

9 V VHF, hyperband and UHF mixers-oscillators for TV and VCR 3-band tuners

TDA5636; TDA5637

SYMBOL	PIN		DESCRIPTION	AVERAGE DC VOLTAGE <sup>(1)</sup> IN (V)		
	TDA5636B	TDA5637B		BAND A	BAND B	BAND C
BOSCOC	17	8		5.8	3.4	5.8
BOSCIB	19	6	 <i>MLD113</i>	1.2	2.3	1.2
COSCIB1	18	7	 <i>MLD112</i>	1.4	1.4	2.3
COSCOC1	20	5		5.8	5.8	4.2
COSCOC2	21	4		5.8	5.8	4.2
COSCIB2	23	2		1.4	1.4	2.3
AOSCOC	22	3		3.8	5.8	5.8
AOSCIB	24	1	 <i>MLD111</i>	2.1	1.0	1.0

**Note**

1. Average DC voltage measured in circuit of Fig.17.

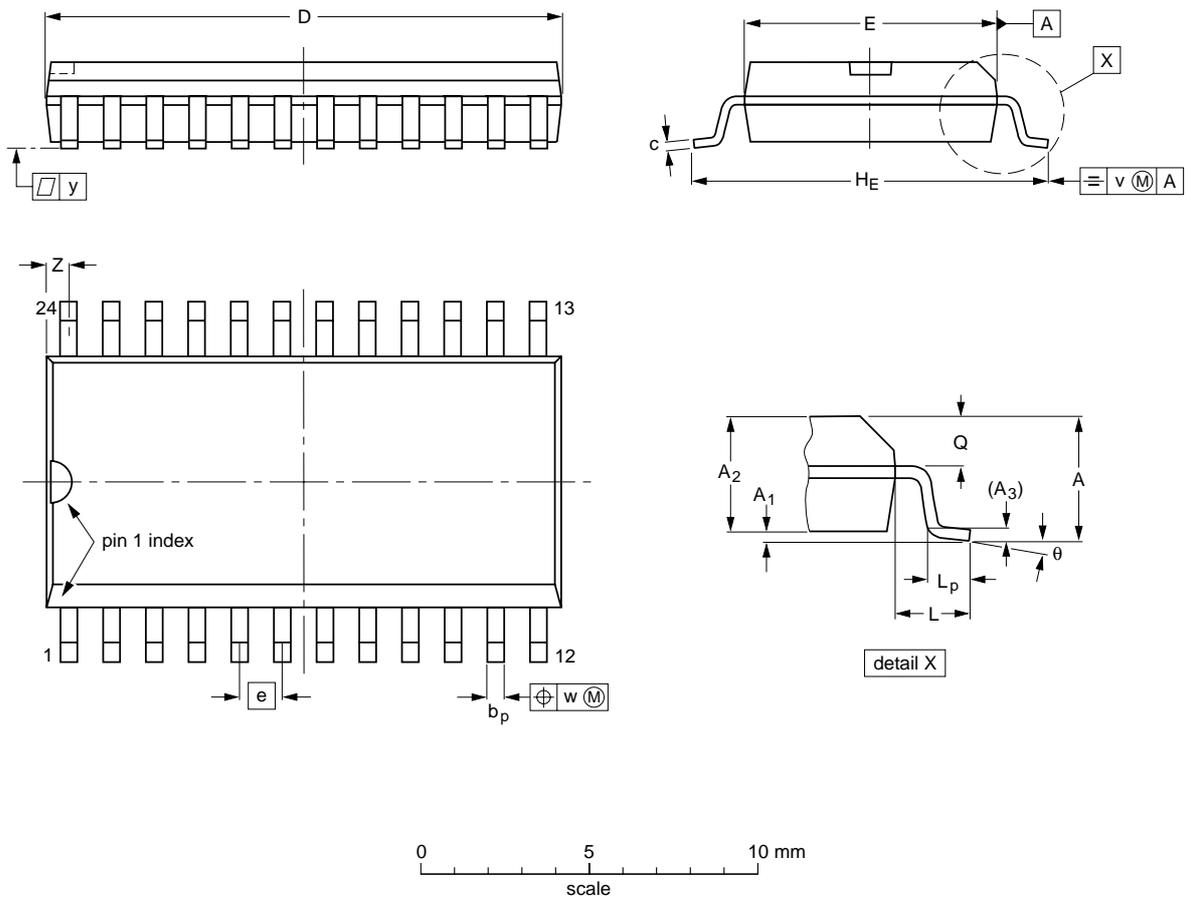
9 V VHF, hyperband and UHF mixers-oscillators for TV and VCR 3-band tuners

TDA5636; TDA5637

PACKAGE OUTLINES

SO24: plastic small outline package; 24 leads; body width 7.5 mm

SOT137-1



DIMENSIONS (inch dimensions are derived from the original mm dimensions)

UNIT	A max.	A <sub>1</sub>	A <sub>2</sub>	A <sub>3</sub>	b <sub>p</sub>	c	D <sup>(1)</sup>	E <sup>(1)</sup>	e	H <sub>E</sub>	L	L <sub>p</sub>	Q	v	w	y	Z <sup>(1)</sup>	θ
mm	2.65	0.30 0.10	2.45 2.25	0.25	0.49 0.36	0.32 0.23	15.6 15.2	7.6 7.4	1.27	10.65 10.00	1.4	1.1 0.4	1.1 1.0	0.25	0.25	0.1	0.9 0.4	8° 0°
inches	0.10	0.012 0.004	0.096 0.089	0.01	0.019 0.014	0.013 0.009	0.61 0.60	0.30 0.29	0.050	0.419 0.394	0.055	0.043 0.016	0.043 0.039	0.01	0.01	0.004	0.035 0.016	

Note

1. Plastic or metal protrusions of 0.15 mm maximum per side are not included.

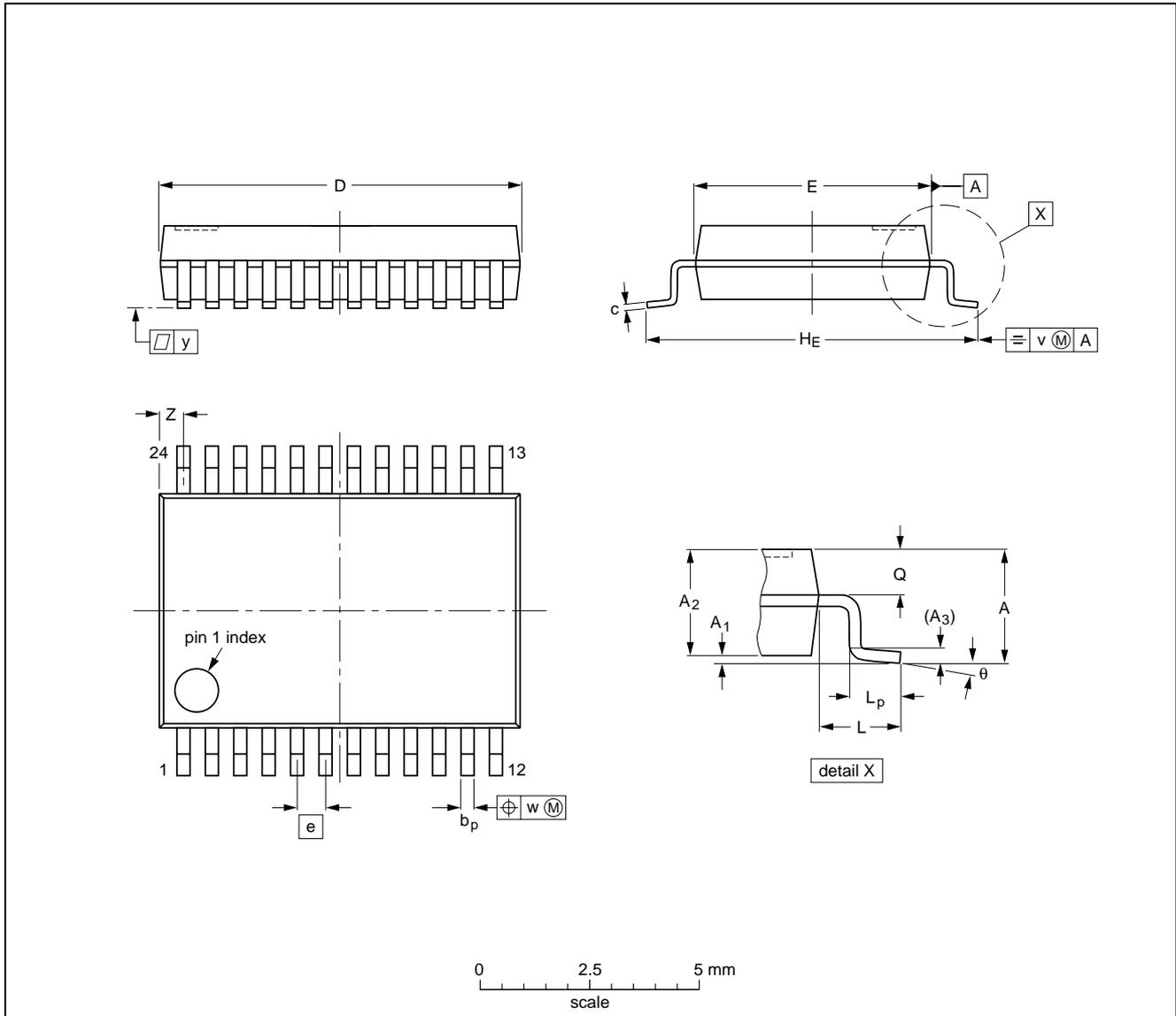
OUTLINE VERSION	REFERENCES				EUROPEAN PROJECTION	ISSUE DATE
	IEC	JEDEC	EIAJ			
SOT137-1	075E05	MS-013AD				95-01-24 97-05-22

9 V VHF, hyperband and UHF mixers-oscillators for TV and VCR 3-band tuners

TDA5636; TDA5637

SSOP24: plastic shrink small outline package; 24 leads; body width 5.3 mm

SOT340-1



**DIMENSIONS (mm are the original dimensions)**

UNIT	A max.	A <sub>1</sub>	A <sub>2</sub>	A <sub>3</sub>	b <sub>p</sub>	c	D <sup>(1)</sup>	E <sup>(1)</sup>	e	H <sub>E</sub>	L	L <sub>p</sub>	Q	v	w	y	Z <sup>(1)</sup>	θ
mm	2.0	0.21 0.05	1.80 1.65	0.25	0.38 0.25	0.20 0.09	8.4 8.0	5.4 5.2	0.65	7.9 7.6	1.25	1.03 0.63	0.9 0.7	0.2	0.13	0.1	0.8 0.4	8° 0°

**Note**

1. Plastic or metal protrusions of 0.20 mm maximum per side are not included.

OUTLINE VERSION	REFERENCES			EUROPEAN PROJECTION	ISSUE DATE
	IEC	JEDEC	EIAJ		
SOT340-1		MO-150AG			93-09-08 95-02-04

## 9 V VHF, hyperband and UHF mixers-oscillators for TV and VCR 3-band tuners

TDA5636; TDA5637

### SOLDERING

#### Introduction

There is no soldering method that is ideal for all IC packages. Wave soldering is often preferred when through-hole and surface mounted components are mixed on one printed-circuit board. However, wave soldering is not always suitable for surface mounted ICs, or for printed-circuits with high population densities. In these situations reflow soldering is often used.

This text gives a very brief insight to a complex technology. A more in-depth account of soldering ICs can be found in our "IC Package Databook" (order code 9398 652 90011).

#### Reflow soldering

Reflow soldering techniques are suitable for all SO and SSOP packages.

Reflow soldering requires solder paste (a suspension of fine solder particles, flux and binding agent) to be applied to the printed-circuit board by screen printing, stencilling or pressure-syringe dispensing before package placement.

Several techniques exist for reflowing; for example, thermal conduction by heated belt. Dwell times vary between 50 and 300 seconds depending on heating method. Typical reflow temperatures range from 215 to 250 °C.

Preheating is necessary to dry the paste and evaporate the binding agent. Preheating duration: 45 minutes at 45 °C.

#### Wave soldering

##### SO

Wave soldering techniques can be used for all SO packages if the following conditions are observed:

- A double-wave (a turbulent wave with high upward pressure followed by a smooth laminar wave) soldering technique should be used.
- The longitudinal axis of the package footprint must be parallel to the solder flow.
- The package footprint must incorporate solder thieves at the downstream end.

##### SSOP

Wave soldering is **not** recommended for SSOP packages. This is because of the likelihood of solder bridging due to closely-spaced leads and the possibility of incomplete solder penetration in multi-lead devices.

**If wave soldering cannot be avoided, the following conditions must be observed:**

- **A double-wave (a turbulent wave with high upward pressure followed by a smooth laminar wave) soldering technique should be used.**
- **The longitudinal axis of the package footprint must be parallel to the solder flow and must incorporate solder thieves at the downstream end.**

**Even with these conditions, only consider wave soldering SSOP packages that have a body width of 4.4 mm, that is SSOP16 (SOT369-1) or SSOP20 (SOT266-1).**

#### METHOD (SO AND SSOP)

During placement and before soldering, the package must be fixed with a droplet of adhesive. The adhesive can be applied by screen printing, pin transfer or syringe dispensing. The package can be soldered after the adhesive is cured.

Maximum permissible solder temperature is 260 °C, and maximum duration of package immersion in solder is 10 seconds, if cooled to less than 150 °C within 6 seconds. Typical dwell time is 4 seconds at 250 °C.

A mildly-activated flux will eliminate the need for removal of corrosive residues in most applications.

#### Repairing soldered joints

Fix the component by first soldering two diagonally-opposite end leads. Use only a low voltage soldering iron (less than 24 V) applied to the flat part of the lead. Contact time must be limited to 10 seconds at up to 300 °C. When using a dedicated tool, all other leads can be soldered in one operation within 2 to 5 seconds between 270 and 320 °C.

## 9 V VHF, hyperband and UHF mixers- oscillators for TV and VCR 3-band tuners

TDA5636; TDA5637

### DEFINITIONS

<b>Data sheet status</b>	
Objective specification	This data sheet contains target or goal specifications for product development.
Preliminary specification	This data sheet contains preliminary data; supplementary data may be published later.
Product specification	This data sheet contains final product specifications.
<b>Limiting values</b>	
Limiting values given are in accordance with the Absolute Maximum Rating System (IEC 134). Stress above one or more of the limiting values may cause permanent damage to the device. These are stress ratings only and operation of the device at these or at any other conditions above those given in the Characteristics sections of the specification is not implied. Exposure to limiting values for extended periods may affect device reliability.	
<b>Application information</b>	
Where application information is given, it is advisory and does not form part of the specification.	

### LIFE SUPPORT APPLICATIONS

These products are not designed for use in life support appliances, devices, or systems where malfunction of these products can reasonably be expected to result in personal injury. Philips customers using or selling these products for use in such applications do so at their own risk and agree to fully indemnify Philips for any damages resulting from such improper use or sale.

---

9 V VHF, hyperband and UHF mixers-  
oscillators for TV and VCR 3-band tuners

---

TDA5636; TDA5637

**NOTES**

# Philips Semiconductors – a worldwide company

**Argentina:** see South America

**Australia:** 34 Waterloo Road, NORTH RYDE, NSW 2113,  
Tel. +61 2 805 4455, Fax. +61 2 805 4466

**Austria:** Computerstr. 6, A-1101 WIEN, P.O. Box 213,  
Tel. +43 1 60 101, Fax. +43 1 60 101 1210

**Belarus:** Hotel Minsk Business Center, Bld. 3, r. 1211, Volodarski Str. 6,  
220050 MINSK, Tel. +375 172 200 733, Fax. +375 172 200 773

**Belgium:** see The Netherlands

**Brazil:** see South America

**Bulgaria:** Philips Bulgaria Ltd., Energoproject, 15th floor,  
51 James Bourchier Blvd., 1407 SOFIA,  
Tel. +359 2 689 211, Fax. +359 2 689 102

**Canada:** PHILIPS SEMICONDUCTORS/COMPONENTS,  
Tel. +1 800 234 7381, Fax. +1 708 296 8556

**China/Hong Kong:** 501 Hong Kong Industrial Technology Centre,  
72 Tat Chee Avenue, Kowloon Tong, HONG KONG,  
Tel. +852 2319 7888, Fax. +852 2319 7700

**Colombia:** see South America

**Czech Republic:** see Austria

**Denmark:** Prags Boulevard 80, PB 1919, DK-2300 COPENHAGEN S,  
Tel. +45 32 88 2636, Fax. +45 31 57 1949

**Finland:** Sinikalliontie 3, FIN-02630 ESPOO,  
Tel. +358 615 800, Fax. +358 615 80920

**France:** 4 Rue du Port-aux-Vins, BP317, 92156 SURESNES Cedex,  
Tel. +33 1 40 99 6161, Fax. +33 1 40 99 6427

**Germany:** Hammerbrookstraße 69, D-20097 HAMBURG,  
Tel. +49 40 23 52 60, Fax. +49 40 23 536 300

**Greece:** No. 15, 25th March Street, GR 17778 TAVROS,  
Tel. +30 1 4894 339/911, Fax. +30 1 4814 240

**Hungary:** see Austria

**India:** Philips INDIA Ltd, Shivsagar Estate, A Block, Dr. Annie Besant Rd.  
Worli, MUMBAI 400 018, Tel. +91 22 4938 541, Fax. +91 22 4938 722

**Indonesia:** see Singapore

**Ireland:** Newstead, Clonskeagh, DUBLIN 14,  
Tel. +353 1 7640 000, Fax. +353 1 7640 200

**Israel:** RAPAC Electronics, 7 Kehilat Saloniki St, TEL AVIV 61180,  
Tel. +972 3 645 0444, Fax. +972 3 648 1007

**Italy:** PHILIPS SEMICONDUCTORS, Piazza IV Novembre 3,  
20124 MILANO, Tel. +39 2 6752 2531, Fax. +39 2 6752 2557

**Japan:** Philips Bldg 13-37, Kohnan 2-chome, Minato-ku, TOKYO 108,  
Tel. +81 3 3740 5130, Fax. +81 3 3740 5077

**Korea:** Philips House, 260-199 Itaewon-dong, Yongsan-ku, SEOUL,  
Tel. +82 2 709 1412, Fax. +82 2 709 1415

**Malaysia:** No. 76 Jalan Universiti, 46200 PETALING JAYA, SELANGOR,  
Tel. +60 3 750 5214, Fax. +60 3 757 4880

**Mexico:** 5900 Gateway East, Suite 200, EL PASO, TEXAS 79905,  
Tel. +1 800 234 7381, Fax. +1 708 296 8556

**Middle East:** see Italy

**Netherlands:** Postbus 90050, 5600 PB EINDHOVEN, Bldg. VB,  
Tel. +31 40 27 83749, Fax. +31 40 27 88399

**New Zealand:** 2 Wagener Place, C.P.O. Box 1041, AUCKLAND,  
Tel. +64 9 849 4160, Fax. +64 9 849 7811

**Norway:** Box 1, Manglerud 0612, OSLO,  
Tel. +47 22 74 8000, Fax. +47 22 74 8341

**Philippines:** Philips Semiconductors Philippines Inc.,  
106 Valero St. Salcedo Village, P.O. Box 2108 MCC, MAKATI,  
Metro MANILA, Tel. +63 2 816 6380, Fax. +63 2 817 3474

**Poland:** Ul. Lukiska 10, PL 04-123 WARSZAWA,  
Tel. +48 22 612 2831, Fax. +48 22 612 2327

**Portugal:** see Spain

**Romania:** see Italy

**Russia:** Philips Russia, Ul. Usatcheva 35A, 119048 MOSCOW,  
Tel. +7 095 926 5361, Fax. +7 095 564 8323

**Singapore:** Lorong 1, Toa Payoh, SINGAPORE 1231,  
Tel. +65 350 2538, Fax. +65 251 6500

**Slovakia:** see Austria

**Slovenia:** see Italy

**South Africa:** S.A. PHILIPS Pty Ltd., 195-215 Main Road Martindale,  
2092 JOHANNESBURG, P.O. Box 7430 Johannesburg 2000,  
Tel. +27 11 470 5911, Fax. +27 11 470 5494

**South America:** Rua do Rocio 220 - 5th floor, Suite 51,  
CEP: 04552-903-SÃO PAULO-SP, Brazil, P.O. Box 7383 (01064-970),  
Tel. +55 11 821 2333, Fax. +55 11 829 1849

**Spain:** Balmes 22, 08007 BARCELONA,  
Tel. +34 3 301 6312, Fax. +34 3 301 4107

**Sweden:** Kottbygatan 7, Akalla, S-16485 STOCKHOLM,  
Tel. +46 8 632 2000, Fax. +46 8 632 2745

**Switzerland:** Allmendstrasse 140, CH-8027 ZÜRICH,  
Tel. +41 1 488 2686, Fax. +41 1 481 7730

**Taiwan:** PHILIPS TAIWAN Ltd., 23-30F, 66,  
Chung Hsiao West Road, Sec. 1, P.O. Box 22978,  
TAIPEI 100, Tel. +886 2 382 4443, Fax. +886 2 382 4444

**Thailand:** PHILIPS ELECTRONICS (THAILAND) Ltd.,  
209/2 Sanpavuth-Bangna Road Prakanong, BANGKOK 10260,  
Tel. +66 2 745 4090, Fax. +66 2 398 0793

**Turkey:** Talatpasa Cad. No. 5, 80640 GÜLTEPE/ISTANBUL,  
Tel. +90 212 279 2770, Fax. +90 212 282 6707

**Ukraine:** PHILIPS UKRAINE, 2A Akademika Koroleva str., Office 165,  
252148 KIEV, Tel. +380 44 476 0297/1642, Fax. +380 44 476 6991

**United Kingdom:** Philips Semiconductors Ltd., 276 Bath Road, Hayes,  
MIDDLESEX UB3 5BX, Tel. +44 181 730 5000, Fax. +44 181 754 8421

**United States:** 811 East Arques Avenue, SUNNYVALE, CA 94088-3409,  
Tel. +1 800 234 7381, Fax. +1 708 296 8556

**Uruguay:** see South America

**Vietnam:** see Singapore

**Yugoslavia:** PHILIPS, Trg N. Pasica 5/v, 11000 BEOGRAD,  
Tel. +381 11 825 344, Fax. +381 11 635 777

**For all other countries apply to:** Philips Semiconductors, Marketing & Sales Communications,  
Building BE-p, P.O. Box 218, 5600 MD EINDHOVEN, The Netherlands, Fax. +31 40 27 24825

**Internet:** <http://www.semiconductors.philips.com/ps/>

© Philips Electronics N.V. 1996

SCA49

All rights are reserved. Reproduction in whole or in part is prohibited without the prior written consent of the copyright owner.

The information presented in this document does not form part of any quotation or contract, is believed to be accurate and reliable and may be changed without notice. No liability will be accepted by the publisher for any consequence of its use. Publication thereof does not convey nor imply any license under patent- or other industrial or intellectual property rights.

Printed in The Netherlands

537021/50/02/pp28

Date of release: 1996 Jun 10

Document order number: 9397 750 00902

*Let's make things better.*

**Philips  
Semiconductors**



**PHILIPS**