

DATA SHEET

TDA8761

9-bit analog-to-digital converter for
digital video

Preliminary specification
File under Integrated Circuits, IC02

1995 Mar 20

Philips Semiconductors



PHILIPS

9-bit analog-to-digital converter for digital video

TDA8761

FEATURES

- 9-bit resolution
- Sampling rate up to 30 MHz
- DC sampling allowed
- One clock cycle conversion only
- High signal-to-noise ratio over a large analog input frequency range (8.5 effective bits at 10 MHz full-scale input at $f_{clk} = 30$ MHz)
- No missing codes guaranteed
- In range (IR) 3-state TTL output
- TTL compatible digital inputs and outputs
- Low-level AC clock input signal allowed
- External reference voltage regulator
- Power dissipation only 360 mW (typical)
- Low analog input capacitance, no buffer amplifier required
- No sample-and-hold circuit required.

APPLICATIONS

Analog-to-digital conversion for:

- Video data digitizing
- Digital Video Broadcasting (DVB)
- Cable TV.

GENERAL DESCRIPTION

The TDA8761 is a 9-bit analog-to-digital converter (ADC) for professional video and digital video set box applications. It converts the analog input signal into 9-bit binary-coded digital words at a maximum sampling rate of 30 MHz. Its linearity performance ensures the required conversion accuracy in case of 256QAM demodulator concept and for all symbol frequencies. All digital inputs and outputs are TTL compatible, although a low-level sine wave clock input signal is allowed.

QUICK REFERENCE DATA

SYMBOL	PARAMETER	CONDITIONS	MIN.	TYP.	MAX.	UNIT
V_{CCA}	analog supply voltage		4.75	5.0	5.25	V
V_{CCD}	digital supply voltage		4.75	5.0	5.25	V
V_{CCO}	output stages supply voltage		4.4	5.0	5.25	V
I_{CCA}	analog supply current		–	30	tbf	mA
I_{CCD}	digital supply current		–	22	tbf	mA
I_{CCO}	output stages supply current		–	22	tbf	mA
AINL	AC integral non-linearity	note 1; full scale input sine wave	–	± 0.75	tbf	LSB
		note 1; 50% full scale input sine wave	–	± 0.5	tbf	LSB
ADNL	AC differential non-linearity	note 1; full scale input sine wave	–	± 0.5	tbf	LSB
		note 1; 50% full scale input sine wave	–	± 0.3	tbf	LSB
$f_{clk(max)}$	maximum clock frequency		30	–	–	MHz
P_{tot}	total power dissipation		–	360	tbf	mW

Note

1. $f_i = 11$ MHz and $f_{clk} = 30$ MHz; $f_i = 8$ MHz and $f_{clk} = 20$ MHz.

ORDERING INFORMATION

TYPE NUMBER	PACKAGE		
	NAME	DESCRIPTION	VERSION
TDA8761M	SSOP28	plastic shrink small outline package; 28 leads; body width 5.3 mm	SOT341-1

9-bit analog-to-digital converter for digital video

TDA8761

BLOCK DIAGRAM

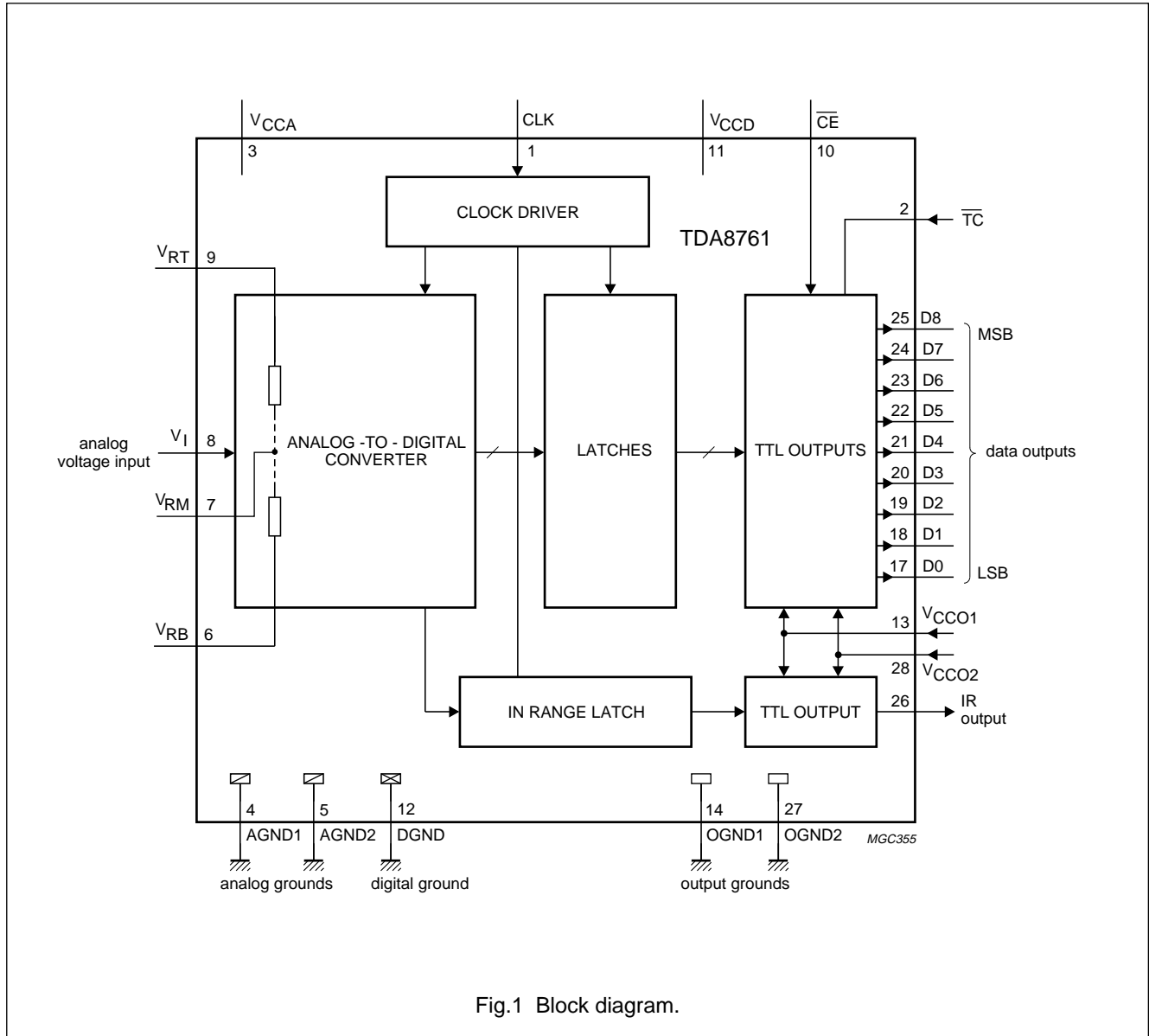


Fig.1 Block diagram.

9-bit analog-to-digital converter for digital video

TDA8761

PINNING

SYMBOL	PIN	DESCRIPTION
CLK	1	clock input
\overline{TC}	2	two's complement input (active LOW)
V _{CCA}	3	analog supply voltage (+5 V)
AGND1	4	analog ground 1
AGND2	5	analog ground 2
V _{RB}	6	reference voltage BOTTOM input
V _{RM}	7	reference voltage MIDDLE
V _I	8	analog input voltage
V _{RT}	9	reference voltage TOP input
\overline{CE}	10	chip enable input (TTL level input, active LOW)
V _{CCD}	11	digital supply voltage (+5 V)
DGND	12	digital ground
V _{CCO1}	13	supply voltage for output stages 1 (+5 V)
OGND1	14	output ground 1
n.c.	15	not connected
n.c.	16	not connected
D0	17	data output; bit 0 (LSB)
D1	18	data output; bit 1
D2	19	data output; bit 2
D3	20	data output; bit 3
D4	21	data output; bit 4
D5	22	data output; bit 5
D6	23	data output; bit 6
D7	24	data output; bit 7
D8	25	data output; bit 8 (MSB)
IR	26	in range data output
OGND2	27	output ground 2
V _{CCO2}	28	supply voltage for output stages 2 (+5 V)

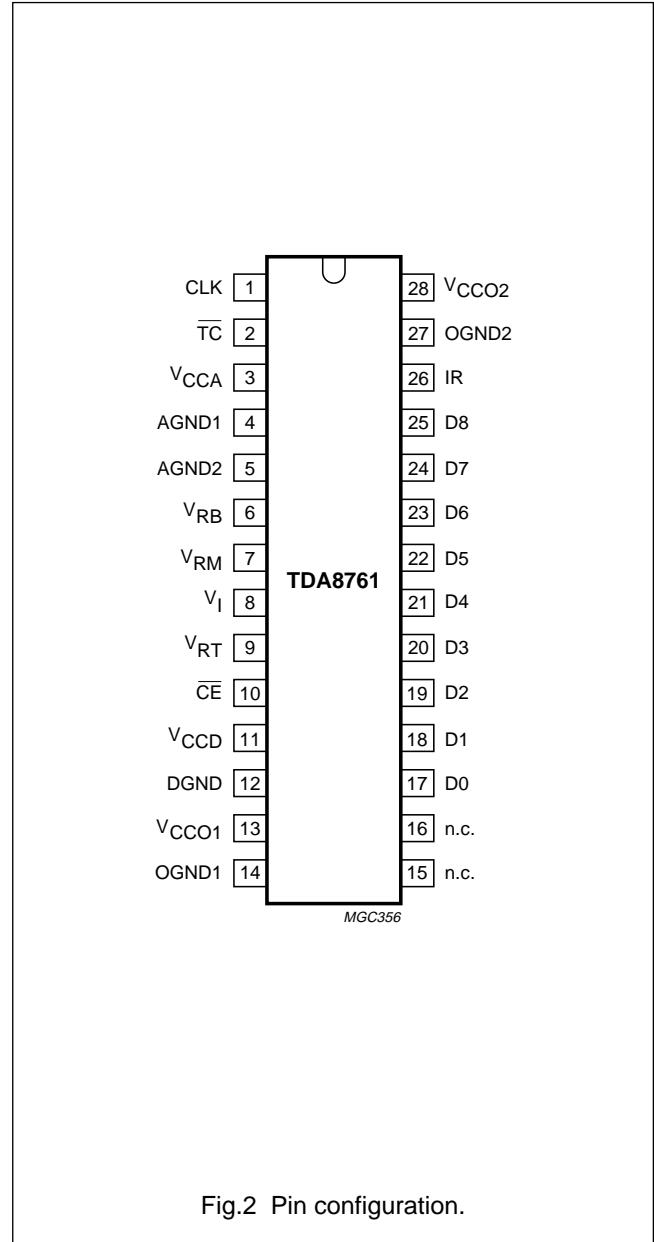


Fig.2 Pin configuration.

9-bit analog-to-digital converter for digital video

TDA8761

LIMITING VALUES

In accordance with the Absolute Maximum Rating System (IEC 134).

SYMBOL	PARAMETER	CONDITIONS	MIN.	MAX.	UNIT
V_{CCA}	analog supply voltage	note 1	-0.3	+7.0	V
V_{CCD}	digital supply voltage	note 1	-0.3	+7.0	V
V_{CCO}	output stages supply voltage	note 1	-0.3	+7.0	V
ΔV_{CC}	supply voltage differences between V_{CCA} and V_{CCD}		-1.0	+1.0	V
	V_{CCO} and V_{CCD}		-1.0	+1.0	V
	V_{CCA} and V_{CCO}		-1.0	+1.0	V
V_I	input voltage	referenced to AGND	-0.3	+7.0	V
$V_{i(p-p)}$	AC input voltage for switching (peak-to-peak value)	referenced to DGND	-	V_{CCD}	V
I_O	output current		-	10	mA
T_{stg}	storage temperature		-55	+150	°C
T_{amb}	operating ambient temperature		0	+70	°C
T_j	junction temperature		-	+150	°C

Note

- The supply voltages V_{CCA} , V_{CCD} and V_{CCO} may have any value between -0.3 V and +7.0 V provided the difference between V_{CCA} , V_{CCD} and V_{CCO} is between -1 and +1 V.

HANDLING

Inputs and outputs are protected against electrostatic discharges in normal handling. However, to be totally safe, it is desirable to take normal precautions appropriate to handling integrated circuits.

THERMAL CHARACTERISTICS

SYMBOL	PARAMETER	VALUE	UNIT
$R_{th\ j-a}$	thermal resistance from junction to ambient in free air	110	K/W

9-bit analog-to-digital converter for digital video

TDA8761

CHARACTERISTICS

$V_{CCA} = V_3$ to V_4 and $V_5 = 4.75$ to 5.25 V; $V_{CCD} = V_{11}$ to $V_{12} = 4.75$ to 5.25 V; $V_{CCO} = V_{13}$ and V_{28} to V_{14} and $V_{27} = 4.4$ to 5.25 V; AGND and DGND shorted together; $T_{amb} = 0$ to $+70$ °C; typical values measured at $V_{CCA} = V_{CCD} = V_{CCO} = 5$ V; $V_{i(p-p)} = 1.5$ V; $C_L = 15$ pF and $T_{amb} = 25$ °C; unless otherwise specified.

SYMBOL	PARAMETER	CONDITIONS	MIN.	TYP.	MAX.	UNIT
Supply						
V_{CCA}	analog supply voltage		4.75	5.0	5.25	V
V_{CCD}	digital supply voltage		4.75	5.0	5.25	V
V_{CCO}	output stages supply voltage		4.4	5.0	5.25	V
ΔV_{CC}	supply voltage differences between V_{CCA} and V_{CCD}		-0.25	-	+0.25	V
	V_{CCA} and V_{CCO}		-0.4	-	+0.4	V
	V_{CCD} and V_{CCO}		-0.4	-	+0.4	V
I_{CCA}	analog supply current		-	30	tbf	mA
I_{CCD}	digital supply current		-	22	tbf	mA
I_{CCO}	output stages supply current		-	22	tbf	mA
Inputs						
CLOCK INPUT CLK (REFERENCED TO DGND); note 1						
V_{IL}	LOW level input voltage		0	-	0.8	V
V_{IH}	HIGH level input voltage		2.0	-	V_{CCD}	V
I_{IL}	LOW level input current	$V_{clk} = 0.4$ V	-1	0	+1	μ A
I_{IH}	HIGH level input current	$V_{clk} = 2.7$ V	-	-	20	μ A
Z_i	input impedance	$f_{clk} = 30$ MHz	-	2	-	k Ω
C_i	input capacitance	$f_{clk} = 30$ MHz	-	2	-	pF
INPUT \overline{CE} (REFERENCED TO DGND); see Table 2						
V_{IL}	LOW level input voltage		0	-	0.8	V
V_{IH}	HIGH level input voltage		2.0	-	V_{CCD}	V
I_{IL}	LOW level input current	$V_{IL} = 0.4$ V	-400	-	-	μ A
I_{IH}	HIGH level input current	$V_{IH} = 2.7$ V	-	-	20	μ A
V_i (ANALOG INPUT VOLTAGE REFERENCED TO AGND)						
I_{IL}	LOW level input current	$V_i = 1.3$ V	-	0	-	μ A
I_{IH}	HIGH level input current	$V_i = 3.8$ V	-	70	-	μ A
Z_i	input impedance	$f_i = 10$ MHz	-	5	-	k Ω
C_i	input capacitance	$f_i = 10$ MHz	-	8	-	pF

9-bit analog-to-digital converter for digital video

TDA8761

SYMBOL	PARAMETER	CONDITIONS	MIN.	TYP.	MAX.	UNIT
Reference voltages for the resistor ladder; see Table 1						
V_{RB}	reference voltage BOTTOM		1.2	1.3	–	V
V_{RT}	reference voltage TOP		–	3.3	$V_{CCA} - 0.8$ V	V
V_{diff}	differential reference voltage $V_{RT} - V_{RB}$		1.8	2.0	3.0	V
I_{ref}	reference current		–	30	–	mA
R_{LAD}	resistor ladder		–	85	–	Ω
TC_{RLAD}	temperature coefficient of the resistor ladder		–	1.86	–	ppm
			–	158	–	m Ω /K
V_{osB}	offset voltage BOTTOM	note 2	–	250	–	mV
V_{osT}	offset voltage TOP	note 2	–	250	–	mV
$V_{i(p-p)}$	analog input voltage (peak-to-peak value)	note 3	1.3	1.5	2.5	V
Outputs						
DIGITAL OUTPUTS D8 TO D0 AND IR (REFERENCED TO OGND)						
V_{OL}	LOW level output voltage	$I_O = 1$ mA	0	–	0.4	V
V_{OH}	HIGH level output voltage	$I_O = 0$ mA	2.7	–	$V_{CCO} - 0.5$	V
		$I_O = -0.4$ mA	2.7	–	$V_{CCO} - 1.3$	V
		$I_O = -1$ mA	2.4	–	$V_{CCO} - 1.4$	V
I_{OZ}	output current in 3-state mode	0.4 V < V_O < V_{CCO}	–20	–	+20	μ A
Switching characteristics						
CLOCK INPUT CLK; see Fig.3; note 1						
$f_{clk(max)}$	maximum clock frequency		30	–	–	MHz
t_{CPH}	clock pulse width HIGH		10	–	–	ns
t_{CPL}	clock pulse width LOW		10	–	–	ns
Analog signal processing						
LINEARITY						
AINL	AC integral non-linearity	note 5; full scale input sine wave	–	± 0.75	tbf	LSB
		note 5; 50% full scale input sine wave	–	± 0.5	tbf	LSB
ADNL	AC differential non-linearity	note 5; full scale input sine wave	–	± 0.5	tbf	LSB
		note 5; 50% full scale input sine wave	–	± 0.3	tbf	LSB
OFER	offset error	middle code; $V_{RB} = 1.3$ V; $V_{RT} = 3.3$ V	–	± 1	–	LSB
GER	gain error (from device to device)	$V_{RB} = 1.3$ V; $V_{RT} = 3.3$ V; note 4	–	± 0.1	–	%

9-bit analog-to-digital converter for digital video

TDA8761

SYMBOL	PARAMETER	CONDITIONS	MIN.	TYP.	MAX.	UNIT
BANDWIDTH ($f_{\text{clk}} = 30 \text{ MHz}$)						
B	analog bandwidth	full-scale sine wave; note 6	–	40	–	MHz
		75% full-scale sine wave; note 6	–	55	–	MHz
		small signal at mid-scale; $V_1 = \pm 10 \text{ LSB}$ at code 256; note 6	–	700	–	MHz
t_{STLH}	analog input settling time LOW-to-HIGH	full-scale square wave; Fig.5; note 7	–	2.0	tbf	ns
t_{STHL}	analog input settling time HIGH-to-LOW	full-scale square wave; Fig.5; note 7	–	2.5	tbf	ns
HARMONICS ($f_{\text{clk}} = 30 \text{ MHz}$)						
THD	total harmonic distortion	$f_i = 10 \text{ MHz}$	–	–64	–	dB
SIGNAL-TO-NOISE RATIO; see Fig.7; note 8						
S/N	signal-to-noise ratio (full scale)	without harmonics; $f_{\text{clk}} = 30 \text{ MHz}$; $f_i = 10 \text{ MHz}$	53	55	–	dB
EFFECTIVE BITS; see Fig 6; note 8						
EB	effective bits	$f_{\text{clk}} = 30 \text{ MHz}$; $f_i = 10 \text{ MHz}$	–	8.5	–	bits
TWO-TONE; note 9						
TTIR	two-tone intermodulation rejection	$f_{\text{clk}} = 30 \text{ MHz}$	–	–64	–	dB
BIT ERROR RATE						
BER	bit error rate	$f_{\text{clk}} = 30 \text{ MHz}$; $f_i = 10 \text{ MHz}$; $V_1 = \pm 16 \text{ LSB}$ at code 256	–	10^{-13}	–	times/sample
DIFFERENTIAL GAIN; note 10						
G_{diff}	differential gain	$f_{\text{clk}} = 30 \text{ MHz}$; PAL modulated ramp	–	tbf	–	%
DIFFERENTIAL PHASE; note 10						
φ_{diff}	differential phase	$f_{\text{clk}} = 30 \text{ MHz}$; PAL modulated ramp	–	tbf	–	deg
Timing ($f_{\text{clk}} = 30 \text{ MHz}$; $C_L = 15 \text{ pF}$); see Fig.3; note 11						
t_{ds}	sampling delay time		–	–	2	ns
t_{h}	output hold time		5	–	–	ns
t_{d}	output delay time		–	10	14	ns
C_L	digital output load		–	15	40	pF

9-bit analog-to-digital converter for digital video

TDA8761

SYMBOL	PARAMETER	CONDITIONS	MIN.	TYP.	MAX.	UNIT
3-state output delay times; see Fig.4						
t _{dZH}	enable HIGH		–	tbf	tbf	ns
t _{dZL}	enable LOW		–	tbf	tbf	ns
t _{dHZ}	disable HIGH		–	tbf	tbf	ns
t _{dLZ}	disable LOW		–	tbf	tbf	ns

Notes

- In addition to a good layout of the digital and analog ground, it is recommended that the rise and fall times of the clock must not be less than 0.5 ns.
- Analog input voltages producing code 0 up to and including code 511:
 - V_{osB} (voltage offset BOTTOM) is the difference between the analog input which produces data equal to 00 and the reference voltage BOTTOM (V_{RB}) at T_{amb} = 25 °C.
 - V_{osT} (voltage offset TOP) is the difference between V_{RT} (reference voltage TOP) and the analog input which produces data outputs equal to code 511 at T_{amb} = 25 °C.
- Analog input voltage range can be derived from V_{RT} – V_{RB} difference. It is $\frac{(V_{RT} - V_{RB}) \times 8}{9}$
- $GER = \frac{(V_{511} - V_0) - 1.5 V}{1.5 V} \times 100$
- f_i = 11 MHz and f_{clk} = 30 MHz; f_i = 8 MHz and f_{clk} = 20 MHz.
- The analog bandwidth is defined as the maximum input sine wave frequency which can be applied to the device. No glitches greater than 2 LSBs, neither any significant attenuation are observed in the reconstructed signal.
- The analog input settling time is the minimum time required for the input signal to be stabilized after a sharp full-scale input (square-wave signal) in order to sample the signal and obtain correct output data.
- Effective bits are obtained via a Fast Fourier Transform (FFT) treatment taking 8K acquisition points per equivalent fundamental period. The calculation takes into account all harmonics and noise up to half of the clock frequency (NYQUIST frequency). Conversion to signal-to-noise ratio: S/N = EB × 6.02 + 1.76 dB.
- Intermodulation measured relative to either tone with analog input frequencies of 10.0 MHz and 10.10 MHz. The two input signals have the same amplitude and the total amplitude of both signals provides full scale to the converter.
- Measurement carried out using video analyser VM700A, where the video analog signal is reconstructed through a digital-to-analog converter.
- Output data acquisition: the output data is available after the maximum delay time of t_d.

9-bit analog-to-digital converter for digital video

TDA8761

Table 1 Output coding and input voltage (typical values; referenced to AGND, $V_{RB} = 1.3\text{ V}$, $V_{RT} = 3.3\text{ V}$)

STEP	$V_{I(p-p)}$	IR	BINARY OUTPUT BITS									TWO'S COMPLEMENT OUTPUT BITS								
			D8	D7	D6	D5	D4	D3	D2	D1	D0	D8	D7	D6	D5	D4	D3	D2	D1	D0
U/F	<1.55	0	0	0	0	0	0	0	0	0	0	0	0	0	0	0	0	0	0	
0	1.55	1	0	0	0	0	0	0	0	0	0	0	0	0	0	0	0	0	0	
1	.	1	0	0	0	0	0	0	0	0	1	0	0	0	0	0	0	0	1	
.	
.	
510	.	1	1	1	1	1	1	1	1	1	1	1	1	1	1	1	1	1	0	
511	3.05	1	1	1	1	1	1	1	1	1	1	1	1	1	1	1	1	1	1	
O/F	>3.05	0	1	1	1	1	1	1	1	1	1	1	1	1	1	1	1	1	1	

Table 2 Mode selection

\overline{TC}	\overline{CE}	D8 TO D0	IR
X	1	high impedance	high impedance
0	0	active; two's complement	active
1	0	active; binary	active

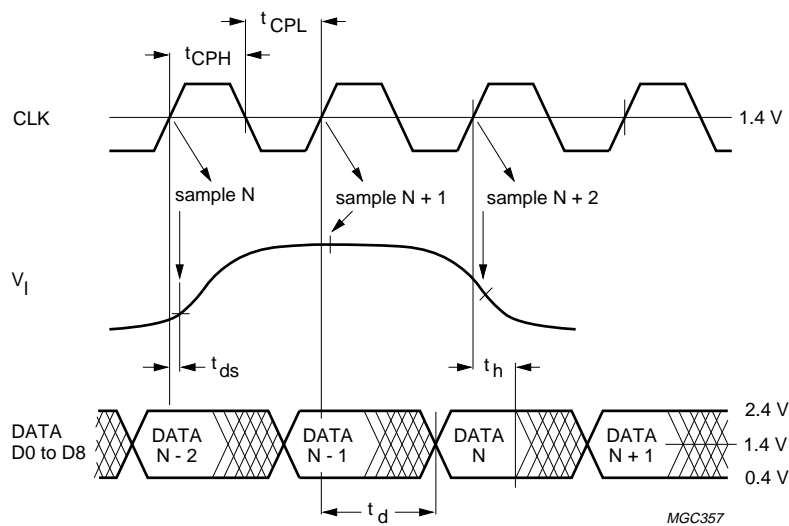
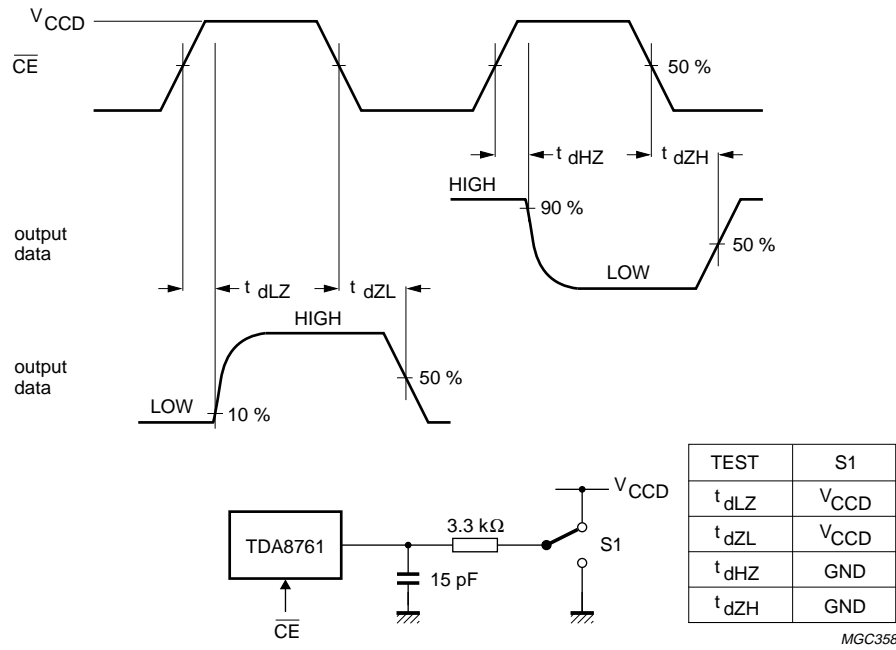


Fig.3 Timing diagram.

9-bit analog-to-digital converter for digital video

TDA8761



$f_{\overline{CE}} = 100 \text{ kHz}$.

Fig.4 Timing diagram and test conditions of 3-state output delay time.

9-bit analog-to-digital converter for digital video

TDA8761

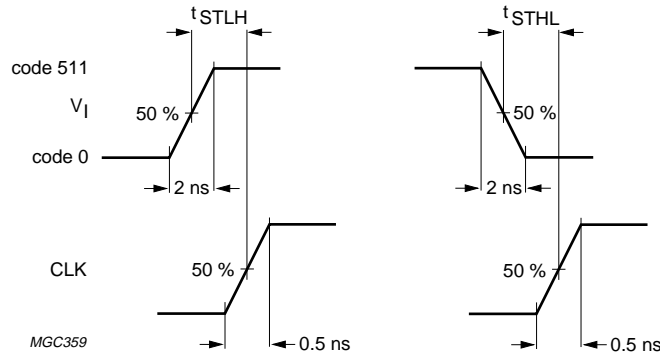
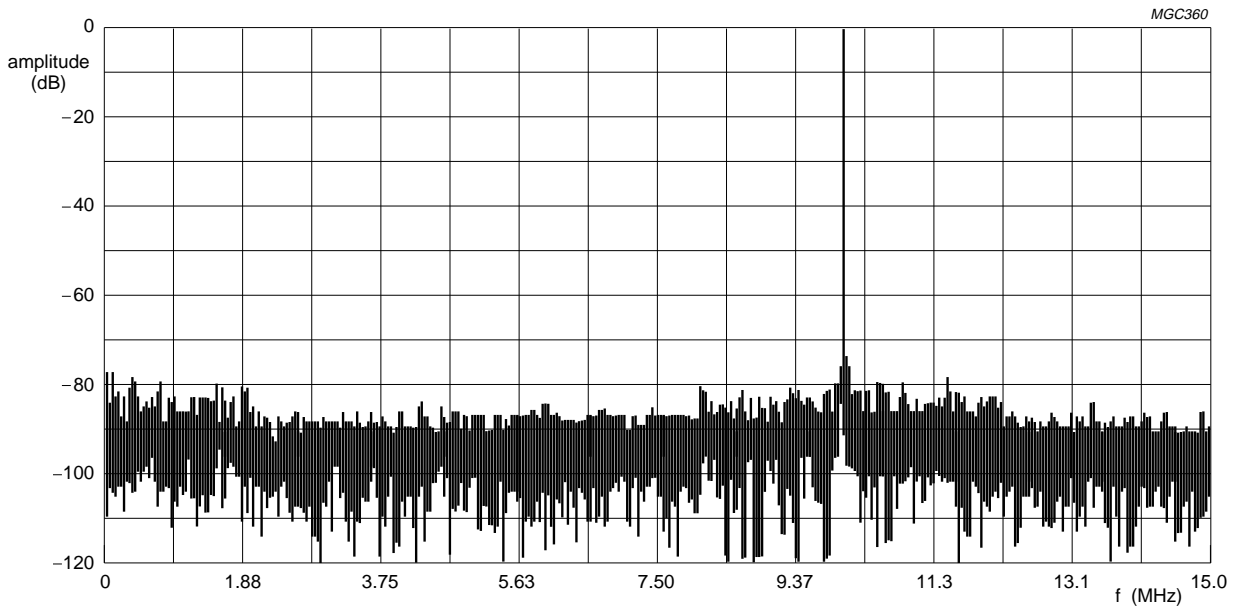


Fig.5 Analog input settling-time diagram.



Effective bits: 8.58; THD = -61.80 dB.
Harmonic levels (dB): 2nd = -64.77; 3rd = -79.30; 4th = -71.90; 5th = -66.12; 6th = -82.29.

Fig.6 Fast Fourier Transform ($f_{clk} = 30$ MHz; $f_i = 10$ MHz).

9-bit analog-to-digital converter for digital video

TDA8761

INTERNAL PIN CONFIGURATIONS

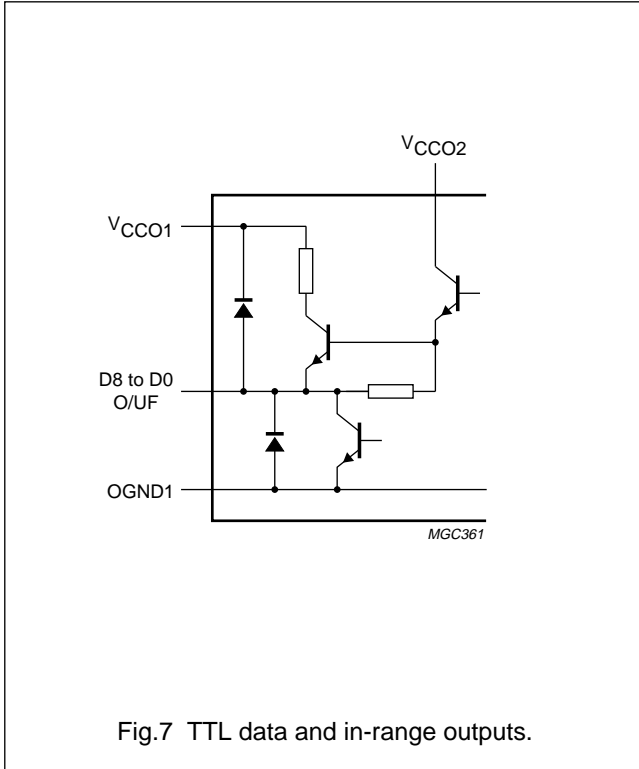


Fig.7 TTL data and in-range outputs.

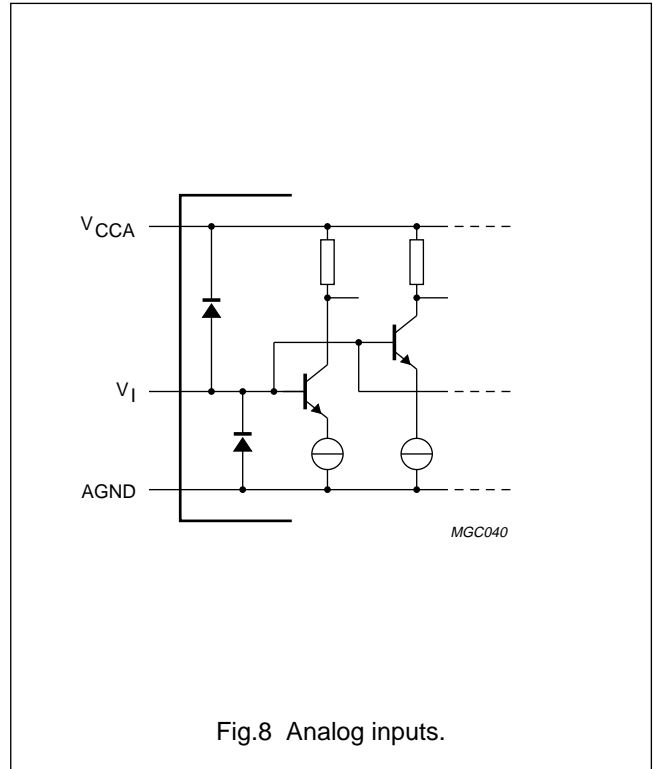


Fig.8 Analog inputs.

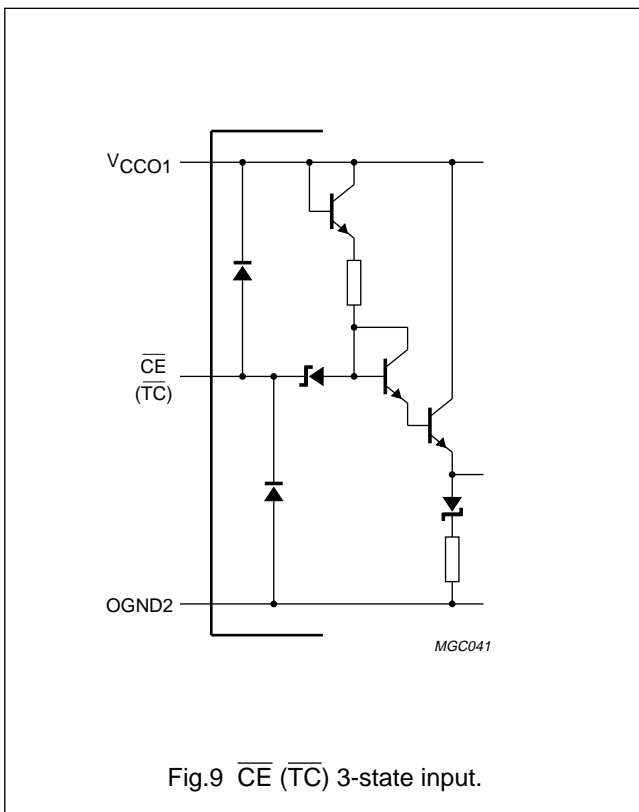


Fig.9 \overline{CE} (\overline{TC}) 3-state input.

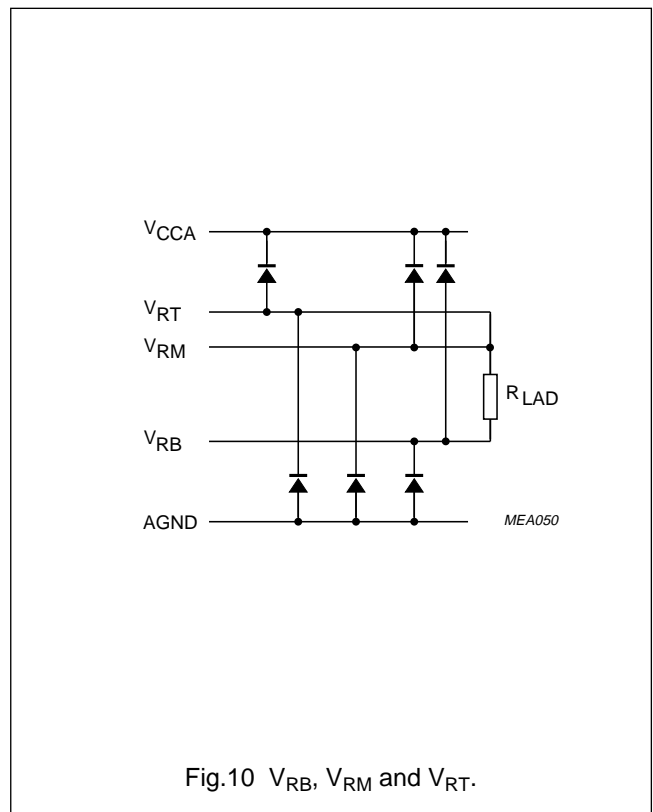


Fig.10 V_{RB} , V_{RM} and V_{RT} .

9-bit analog-to-digital converter for digital video

TDA8761

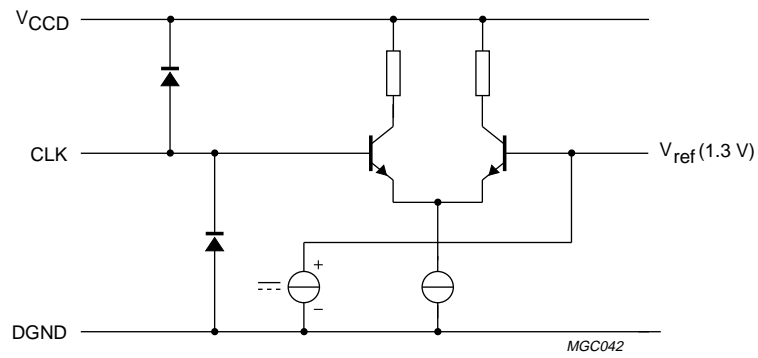
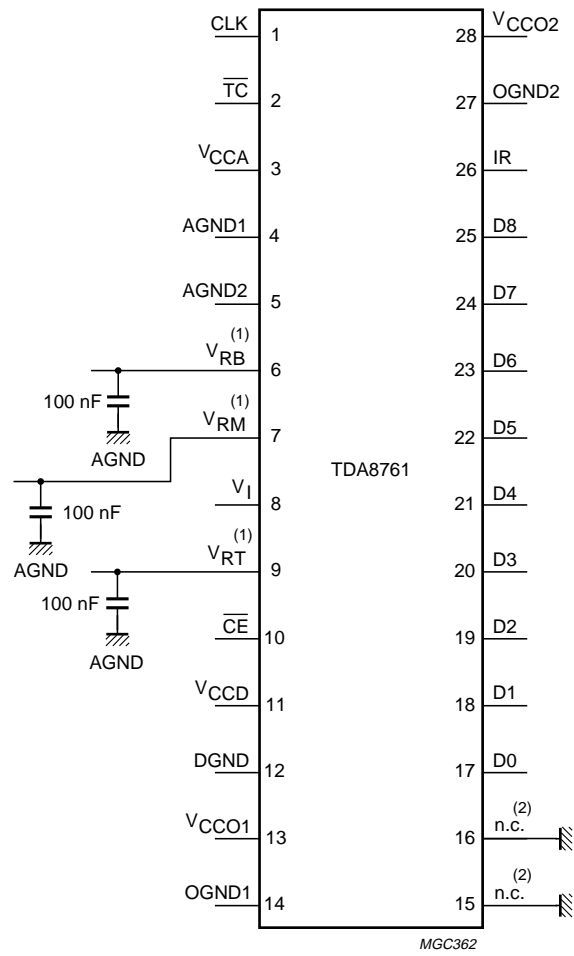


Fig.11 CLK input.

9-bit analog-to-digital converter for digital video

TDA8761

APPLICATION INFORMATION



The analog and digital supplies should be separated and decoupled.
 The external voltage generator must be built such that a good supply voltage ripple rejection is achieved with respect to the LSB value. Eventually, the reference ladder voltages can be derived from a well regulated V_{CCA} supply through a resistor bridge and a decoupled capacitor.
 For applications where the input signal must remain well centred around middle scale, V_{RM} must be decoupled and connected to analog input signal (pin 8) through a resistor. The values must be defined in accordance with the input signal frequency in order to avoid direct coupling into the ADC ladder (e.g. $R = 5\text{ k}\Omega$ and $C = 100\text{ nF}$).
 (1) V_{RB} , V_{RM} and V_{RT} are decoupled to AGND.
 (2) Pins 15 and 16 should be connected to DGND in order to prevent noise influence.

Fig.12 Application diagram.

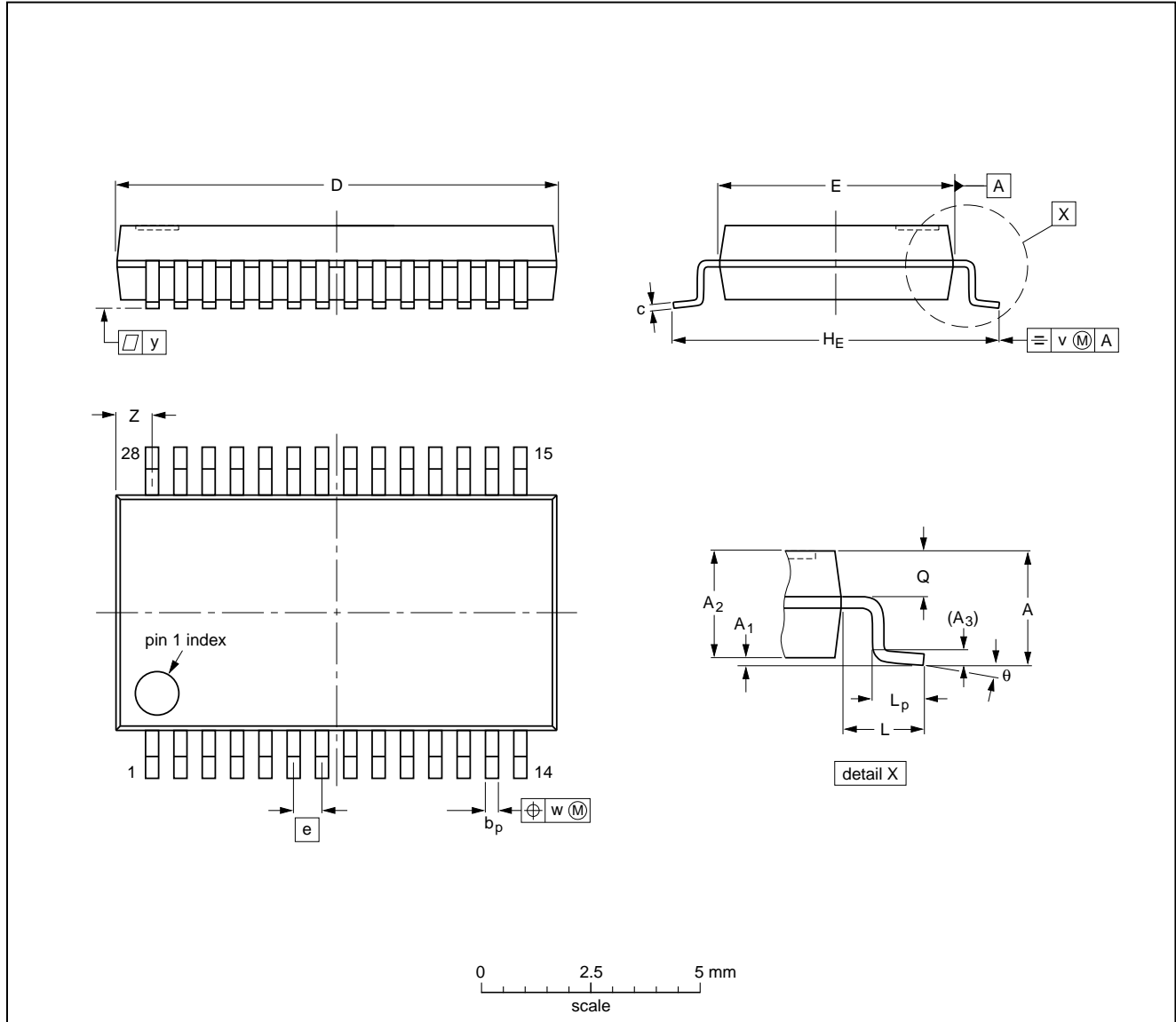
9-bit analog-to-digital converter for digital video

TDA8761

PACKAGE OUTLINE

SSOP28: plastic shrink small outline package; 28 leads; body width 5.3 mm

SOT341-1



DIMENSIONS (mm are the original dimensions)

UNIT	A max.	A ₁	A ₂	A ₃	b _p	c	D ⁽¹⁾	E ⁽¹⁾	e	H _E	L	L _p	Q	v	w	y	Z ⁽¹⁾	θ
mm	2.0	0.21 0.05	1.80 1.65	0.25	0.38 0.25	0.20 0.09	10.4 10.0	5.4 5.2	0.65	7.9 7.6	1.25	1.03 0.63	0.9 0.7	0.2	0.13	0.1	1.1 0.7	8° 0°

Note

1. Plastic or metal protrusions of 0.20 mm maximum per side are not included.

OUTLINE VERSION	REFERENCES				EUROPEAN PROJECTION	ISSUE DATE
	IEC	JEDEC	EIAJ			
SOT341-1		MO-150AH				93-09-08 95-02-04

9-bit analog-to-digital converter for digital video

TDA8761

SOLDERING

Plastic small outline packages

BY WAVE

During placement and before soldering, the component must be fixed with a droplet of adhesive. After curing the adhesive, the component can be soldered. The adhesive can be applied by screen printing, pin transfer or syringe dispensing.

Maximum permissible solder temperature is 260 °C, and maximum duration of package immersion in solder bath is 10 s, if allowed to cool to less than 150 °C within 6 s. Typical dwell time is 4 s at 250 °C.

A modified wave soldering technique is recommended using two solder waves (dual-wave), in which a turbulent wave with high upward pressure is followed by a smooth laminar wave. Using a mildly-activated flux eliminates the need for removal of corrosive residues in most applications.

BY SOLDER PASTE REFLOW

Reflow soldering requires the solder paste (a suspension of fine solder particles, flux and binding agent) to be applied to the substrate by screen printing, stencilling or pressure-syringe dispensing before device placement.

Several techniques exist for reflowing; for example, thermal conduction by heated belt, infrared, and vapour-phase reflow. Dwell times vary between 50 and 300 s according to method. Typical reflow temperatures range from 215 to 250 °C.

Preheating is necessary to dry the paste and evaporate the binding agent. Preheating duration: 45 min at 45 °C.

REPAIRING SOLDERED JOINTS (BY HAND-HELD SOLDERING IRON OR PULSE-HEATED SOLDER TOOL)

Fix the component by first soldering two, diagonally opposite, end pins. Apply the heating tool to the flat part of the pin only. Contact time must be limited to 10 s at up to 300 °C. When using proper tools, all other pins can be soldered in one operation within 2 to 5 s at between 270 and 320 °C. (Pulse-heated soldering is not recommended for SO packages.)

For pulse-heated solder tool (resistance) soldering of VSO packages, solder is applied to the substrate by dipping or by an extra thick tin/lead plating before package placement.

DEFINITIONS

Data sheet status	
Objective specification	This data sheet contains target or goal specifications for product development.
Preliminary specification	This data sheet contains preliminary data; supplementary data may be published later.
Product specification	This data sheet contains final product specifications.
Limiting values	
Limiting values given are in accordance with the Absolute Maximum Rating System (IEC 134). Stress above one or more of the limiting values may cause permanent damage to the device. These are stress ratings only and operation of the device at these or at any other conditions above those given in the Characteristics sections of the specification is not implied. Exposure to limiting values for extended periods may affect device reliability.	
Application information	
Where application information is given, it is advisory and does not form part of the specification.	

LIFE SUPPORT APPLICATIONS

These products are not designed for use in life support appliances, devices, or systems where malfunction of these products can reasonably be expected to result in personal injury. Philips customers using or selling these products for use in such applications do so at their own risk and agree to fully indemnify Philips for any damages resulting from such improper use or sale.

9-bit analog-to-digital converter for
digital video

TDA8761

NOTES

9-bit analog-to-digital converter for
digital video

TDA8761

NOTES

Philips Semiconductors – a worldwide company

Argentina: IEROD, Av. Juramento 1992 - 14.b, (1428)
BUENOS AIRES, Tel. (541)786 7633, Fax. (541)786 9367

Australia: 34 Waterloo Road, NORTH RYDE, NSW 2113,
Tel. (02)805 4455, Fax. (02)805 4466

Austria: Triester Str. 64, A-1101 WIEN, P.O. Box 213,
Tel. (01)60 101-1236, Fax. (01)60 101-1211

Belgium: Postbus 90050, 5600 PB EINDHOVEN, The Netherlands,
Tel. (31)40 783 749, Fax. (31)40 788 399

Brazil: Rua do Rocio 220 - 5th floor, Suite 51,
CEP: 04552-903-SÃO PAULO-SP, Brazil.
P.O. Box 7383 (01064-970),
Tel. (011)821-2333, Fax. (011)829-1849

Canada: PHILIPS SEMICONDUCTORS/COMPONENTS:
Tel. (800) 234-7381, Fax. (708) 296-8556

Chile: Av. Santa Maria 0760, SANTIAGO,
Tel. (02)773 816, Fax. (02)777 6730

Colombia: IPRELENZO LTDA, Carrera 21 No. 56-17,
77621 BOGOTA, Tel. (571)249 7624/(571)217 4609,
Fax. (571)217 4549

Denmark: Prags Boulevard 80, PB 1919, DK-2300 COPENHAGEN S,
Tel. (032)88 2636, Fax. (031)57 1949

Finland: Sinikalliontie 3, FIN-02630 ESPOO,
Tel. (9)0-50261, Fax. (9)0-520971

France: 4 Rue du Port-aux-Vins, BP317,
92156 SURESNES Cedex,
Tel. (01)4099 6161, Fax. (01)4099 6427

Germany: P.O. Box 10 63 23, 20043 HAMBURG,
Tel. (040)3296-0, Fax. (040)3296 213.

Greece: No. 15, 25th March Street, GR 17778 TAVROS,
Tel. (01)4894 339/4894 911, Fax. (01)4814 240

Hong Kong: PHILIPS HONG KONG Ltd., 15/F Philips Ind. Bldg.,
24-28 Kung Yip St., KWAI CHUNG, N.T.,
Tel. (852)424 5121, Fax. (852)480 6960/480 6009

India: Philips INDIA Ltd, Shivsagar Estate, A Block,
Dr. Annie Besant Rd. Worli, Bombay 400 018
Tel. (022)4938 541, Fax. (022)4938 722

Indonesia: Philips House, Jalan H.R. Rasuna Said Kav. 3-4,
P.O. Box 4252, JAKARTA 12950,
Tel. (021)5201 122, Fax. (021)5205 189

Ireland: Newstead, Clonskeagh, DUBLIN 14,
Tel. (01)7640 000, Fax. (01)7640 200

Italy: PHILIPS SEMICONDUCTORS S.r.l.,
Piazza IV Novembre 3, 20124 MILANO,
Tel. (0039)2 6752 2531, Fax. (0039)2 6752 2557

Japan: Philips Bldg 13-37, Kohnan2-chome, Minato-ku, TOKYO 108,
Tel. (03)3740 5028, Fax. (03)3740 0580

Korea: (Republic of) Philips House, 260-199 Itaewon-dong,
Yongsan-ku, SEOUL, Tel. (02)794-5011, Fax. (02)798-8022

Malaysia: No. 76 Jalan Universiti, 46200 PETALING JAYA,
SELANGOR, Tel. (03)750 5214, Fax. (03)757 4880

Mexico: 5900 Gateway East, Suite 200, EL PASO, TX 79905,
Tel. 9-5(800)234-7381, Fax. (708)296-8556

Netherlands: Postbus 90050, 5600 PB EINDHOVEN, Bldg. VB
Tel. (040)783749, Fax. (040)788399

New Zealand: 2 Wagener Place, C.P.O. Box 1041, AUCKLAND,
Tel. (09)849-4160, Fax. (09)849-7811

Norway: Box 1, Manglerud 0612, OSLO,
Tel. (022)74 8000, Fax. (022)74 8341

Pakistan: Philips Electrical Industries of Pakistan Ltd.,
Exchange Bldg. ST-2/A, Block 9, KDA Scheme 5, Clifton,
KARACHI 75600, Tel. (021)587 4641-49,
Fax. (021)577035/5874546

Philippines: PHILIPS SEMICONDUCTORS PHILIPPINES Inc,
106 Valero St. Salcedo Village, P.O. Box 2108 MCC, MAKATI,
Metro MANILA, Tel. (02)810 0161, Fax. (02)817 3474

Portugal: PHILIPS PORTUGUESA, S.A.,
Rua dr. António Loureiro Borges 5, Arquiparque - Miraflores,
Apartado 300, 2795 LINDA-A-VELHA,
Tel. (01)4163160/4163333, Fax. (01)4163174/4163366

Singapore: Lorong 1, Toa Payoh, SINGAPORE 1231,
Tel. (65)350 2000, Fax. (65)251 6500

South Africa: S.A. PHILIPS Pty Ltd.,
195-215 Main Road Martindale, 2092 JOHANNESBURG,
P.O. Box 7430, Johannesburg 2000,
Tel. (011)470-5911, Fax. (011)470-5494.

Spain: Balmes 22, 08007 BARCELONA,
Tel. (03)301 6312, Fax. (03)301 42 43

Sweden: Kottbygatan 7, Akalla. S-164 85 STOCKHOLM,
Tel. (0)8-632 2000, Fax. (0)8-632 2745

Switzerland: Allmendstrasse 140, CH-8027 ZÜRICH,
Tel. (01)488 2211, Fax. (01)481 77 30

Taiwan: PHILIPS TAIWAN Ltd., 23-30F, 66, Chung Hsiao West
Road, Sec. 1. Taipei, Taiwan ROC, P.O. Box 22978,
TAIPEI 100, Tel. (02)388 7666, Fax. (02)382 4382

Thailand: PHILIPS ELECTRONICS (THAILAND) Ltd.,
209/2 Sanpavuth-Bangna Road Prakanong,
Bangkok 10260, THAILAND,
Tel. (662)398-0141, Fax. (662)398-3319

Turkey: Talatpasa Cad. No. 5, 80640 GÜLTEPE/ISTANBUL,
Tel. (0212)279 27 70, Fax. (0212)282 67 07

United Kingdom: Philips Semiconductors LTD.,
276 Bath Road, Hayes, MIDDLESEX UB3 5BX,
Tel. (0181)730-5000, Fax. (0181)754-8421

United States: 811 East Arques Avenue, SUNNYVALE,
CA 94088-3409, Tel. (800)234-7381, Fax. (708)296-8556

Uruguay: Coronel Mora 433, MONTEVIDEO,
Tel. (02)70-4044, Fax. (02)92 0601

Internet: <http://www.semiconductors.philips.com/ps/>

For all other countries apply to: Philips Semiconductors,
International Marketing and Sales, Building BE-p,
P.O. Box 218, 5600 MD EINDHOVEN, The Netherlands,
Telex 35000 phtcnl, Fax. +31-40-724825

SCD39

© Philips Electronics N.V. 1995

All rights are reserved. Reproduction in whole or in part is prohibited without the prior written consent of the copyright owner.

The information presented in this document does not form part of any quotation or contract, is believed to be accurate and reliable and may be changed without notice. No liability will be accepted by the publisher for any consequence of its use. Publication thereof does not convey nor imply any license under patent- or other industrial or intellectual property rights.

Printed in The Netherlands

533061/1500/01/pp20

Date of release: 1995 Mar 20

Document order number:

9397 750 00112

Philips Semiconductors



PHILIPS