

TEW4921 is designed and approved to be used as a transmit transformer with the **Mitel MT89760/-60B** and **MT89790/-90B** devices in T1 and CEPT applications.

Complies with ANSI T1.408 and CCITT I.431., with regards to Longitudinal Balance.

TEW4921-2 is designed for **MT89790B** when operating from a single 5 Vdc supply.

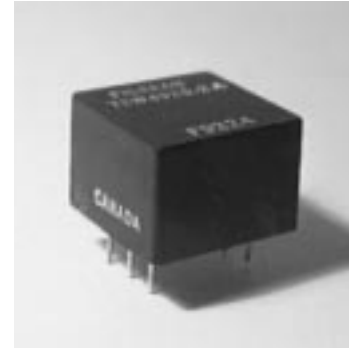
Typical applications are:

- Primary rate ISDN network nodes.
- PBX or computer to T1/CEPT Digital Trunks.
- TDM Multiplexers.

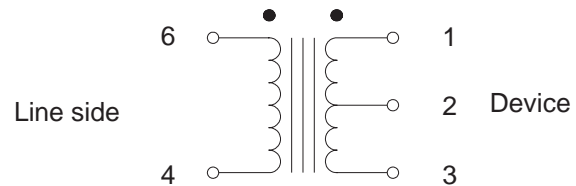
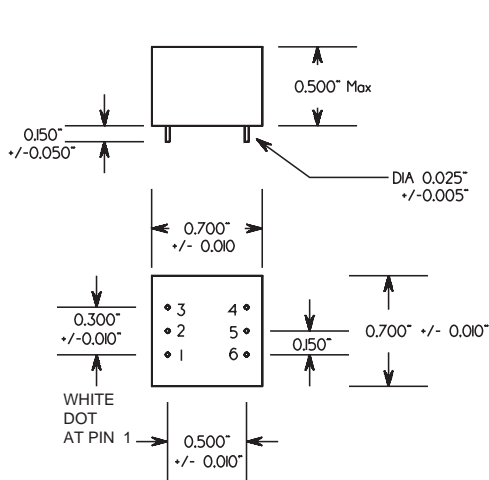
Fully encapsulated in epoxy.

BABT certified for reinforced insulation to **EN60950** & **EN41003**.

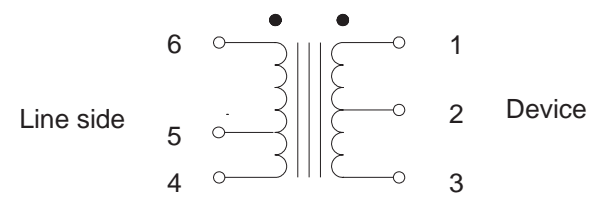
Cert #: CR/T/0052



## MECHANICAL



TEW4921 & -1



TEW4921-2

ELECTRICAL SPECIFICATIONS			TEW4921	TEW4921-1	TEW4921-2
Impedance			100 & 120 Ω	75 Ω	75/120 Ω
DCR	(Ohms)	(1 - 3)	3.5	3.5	3.5
		(6 - 4)	0.35	0.25	0.35
Turns ratio		(1-2):(2-3):(6 -4)	1 : 1 : 0.53	1 : 1 : 0.39	1 : 1 : 1.37
		(1-2):(2-3):(6 -5)	n/a	n/a	1 : 1 : 1.12
Inductance	(mH)	(6 - 4)	> 1.0	> 0.57	> 1.5
Pulse Mask			T1 & CEPT	CEPT	CEPT
Longitud. Bal.	(dB)	50 - 1544 KHz	> 40 dB	> 40 dB	> 40 dB
Dielectric Strength, (Vrms)			4000 V	4000 V	4000 V
Temperatures	Operating	0° to 50° C			
	Storage	-20° to 80° C			

ISSUE: E 94/11/02 TEW4921.chp