

**VI TELEFILTER****Filter specification****TFS 341 A****1/5****Measurement condition**

Ambient temperature:	25 ± 5	°C	Source impedance:	650 Ω    -4.2	pF
Input power level:	5 ± 2	dBm	Load impedance:	600 Ω    -4.0	pF
Q-value of matching coils:	25				

**Construction and pin connection**

see page 2

**Stability characteristics and packing**

see page 4

**50 Ω test circuit and theoretical values of matching elements**

see page 3

**Air reflow temperature conditions**

see page 5

**Characteristics****Remark:**

Reference level for the relative attenuation  $a_{rel}$  of the TFS 341 A is the minimum of the pass band attenuation  $a_{min}$ . The minimum of the pass band attenuation  $a_{min}$  is defined as the insertion loss  $a_e$ . The centre frequency  $f_0$  is the arithmetic mean value of the upper and lower frequencies at the 0,5 dB filter attenuation level relative to the insertion loss  $a_e$ . The given values for the relative attenuation  $a_{rel}$  and for the group delay ripple have to be reached at the frequencies given below also if the centre frequency  $f_0$  is shifted due to the temperature coefficient of frequency  $TC_f$  in the operating temperature range and due to a production tolerance for the centre frequency  $f_0$ .

<b>Data</b>		<b>typ. value</b>	<b>limit</b>
<b>Insertion loss</b>	$a_e = a_{min}$	7,3 dB	6,5 ... 8,5 dB
<b>Insertion loss change</b> caused by Q- value of matching coils			
Q = 25		$a_e - 0.0$ dB	
Q = 30		$a_e - 0.3$ dB	
Q = 50		$a_e - 1.0$ dB	
Q = 60		$a_e - 1.1$ dB	
Q = 1000		$a_e - 2.0$ dB	
<b>Nominal frequency</b>	$f_N$	-	341,0 MHz
<b>Pass band</b>		-	$f_N - 200$ kHz ... $f_N + 200$ kHz
<b>Relative attenuation</b>	$a_{rel}$		
$f_N$ .....	$f_N \pm 200$ kHz	-	max. 0,5 dB
$f_N \pm 200$ kHz ...	$f_N \pm 400$ kHz	-	max. 3 dB
$f_N \pm 1,8$ MHz ...	$f_N \pm 6$ MHz	21 dB	min. 7 dB
$f_N \pm 6$ MHz ...	$f_N \pm 13$ MHz	30 dB	min. 10 dB
$f_N \pm 13$ MHz ...	$f_N \pm 39$ MHz	45 dB	min. 30 dB
$f_N \pm 39$ MHz ...	$f_N \pm 100$ MHz	53 dB	min. 40 dB
1000 MHz ...	1050 MHz	50	min. 35 dB
<b>VSWR ratio</b>	$f_N - 200$ kHz ... $f_N + 200$ kHz	1,6:1	max. 2 : 1
<b>Group delay ripple</b> GD	$f_N - 200$ kHz ... $f_N + 200$ kHz	40 ns	max. 100 ns
<b>Input power level</b>		-	max. + 10 dBm
<b>Permissible DC voltage</b>		-	max. 10 V *)
<b>Operating temperature range</b>			0 °C ... + 85 °C
<b>Storage temperature range</b>			- 30 °C ... + 85 °C
<b>Temperature coefficient</b>	TC **)	- 0,036 ppm/K <sup>2</sup>	-
<b>Frequency inversion temperature</b>	$T_0$	40 °C	-

\*) Not between pins 1,2,5,6,7,8,11,12; otherwise between any pins

\*\*)  $-\Delta f$  (Hz) = TC (ppm/K<sup>2</sup>) x (T - T<sub>0</sub>)<sup>2</sup> x F<sub>T<sub>0</sub></sub> (MHz)**Generated:****Checked / approved:**

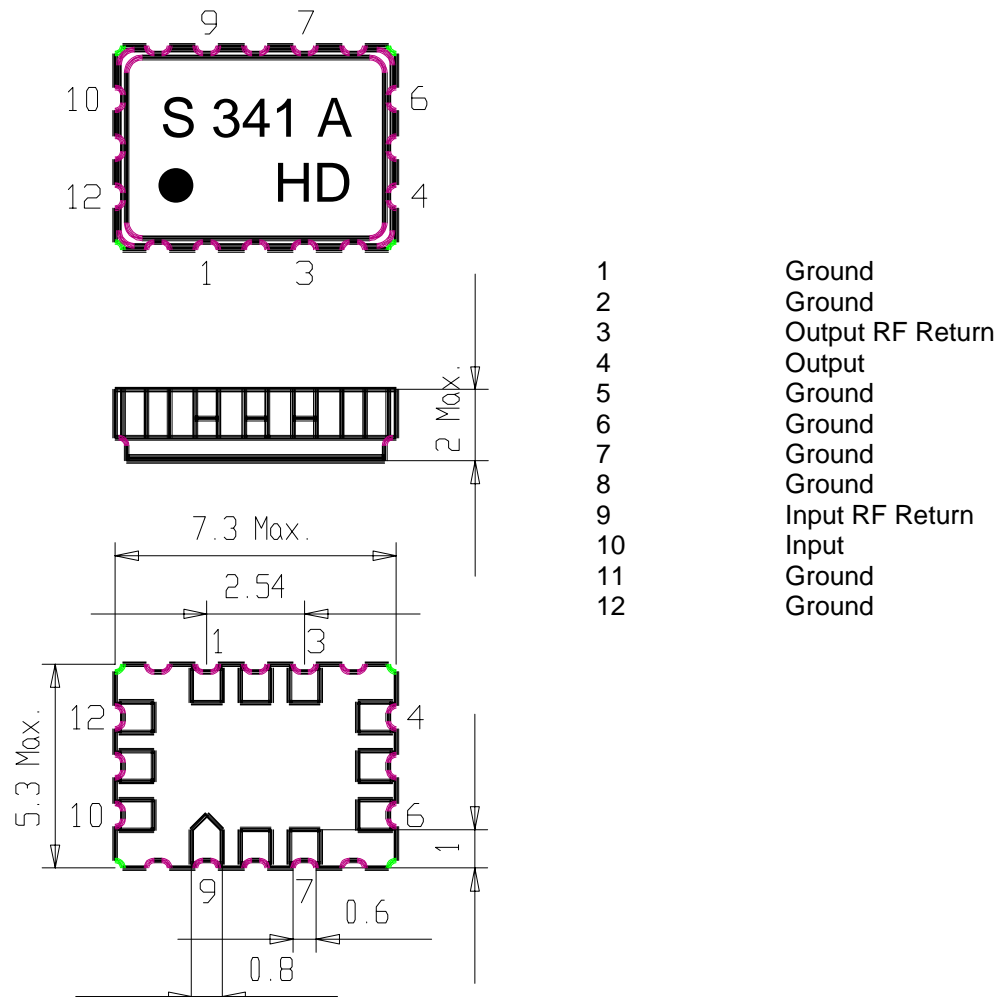
**VI TELEFILTER**  
**Potsdamer Straße 18**  
**D 14 513 TELTOW / Germany**  
**Tel: (+49) 3328 4784-52 / Fax: (+49) 3328 4784-30**  
**E-Mail: tft@telefilter.com**

**Vectron International, Inc.**  
**267 Lowell Road**  
**Hudson, NH 03051 / USA**  
**Tel: (603) 598-0070 Fax: (603) 598-0075**  
**E-Mail: vti@vtinh.com**

VI TELEFILTER reserves the right to make changes to the product(s) and/or information contained herein without notice. No liability is assumed as a result of their use or application. No rights under any patent accompany the sale of any such product(s) or information.

**VI TELEFILTER****Filter specification****TFS 341 A****2/5****Construction and pin connection**

(All dimensions in mm)



**VI TELEFILTER**  
 Potsdamer Straße 18  
 D 14 513 TELTOW / Germany  
 Tel: (+49) 3328 4784-52 / Fax: (+49) 3328 4784-30  
 E-Mail: [tft@telefilter.com](mailto:tft@telefilter.com)

**Vectron International, Inc.**  
 267 Lowell Road  
 Hudson, NH 03051 / USA  
 Tel: (603) 598-0070 Fax: (603) 598-0075  
 E-Mail: [vti@vtinh.com](mailto:vti@vtinh.com)

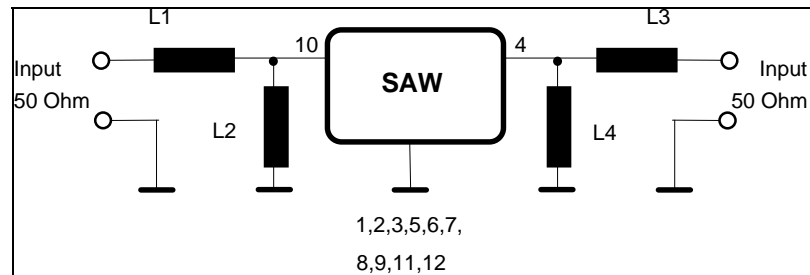
VI TELEFILTER reserves the right to make changes to the product(s) and/or information contained herein without notice. No liability is assumed as a result of their use or application. No rights under any patent accompany the sale of any such product(s) or information.

**50  $\Omega$  test circuit and theoretical values of matching elements**

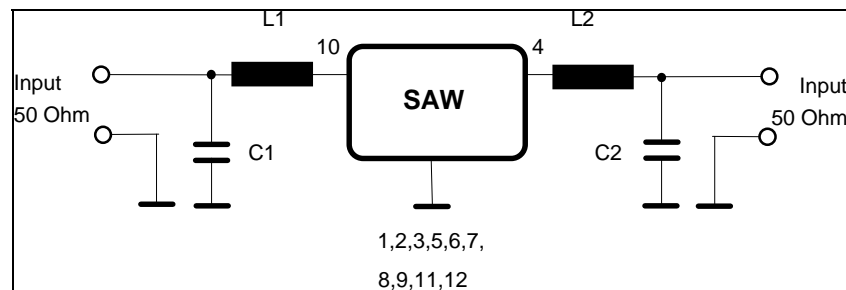
Remark:

The values of the matching elements which are given below are calculated from the source and load impedance. If the values of the matching elements are not equal to standard values the best standard values are given in brackets. If standard matching elements instead of the exact values are used it can not be guaranteed that the specification will be fulfilled.

Because these are theoretical values they have to be modified on PCB's corresponding to the existing parasitics.

**50  $\Omega$  test circuit1**

$$\begin{array}{ll} L1 = 81 \text{ nH} & (82 \text{ nH}) \\ L2 = 125 \text{ nH} & (120 \text{ nH}) \\ L3 = 78 \text{ nH} & (82 \text{ nH}) \\ L4 = 150 \text{ nH} & \end{array}$$

**50  $\Omega$  test circuit2**

$$\begin{array}{ll} L1 = 62 \text{ nH} & (56 \text{ nH}) \\ L2 = 64 \text{ nH} & (68 \text{ nH}) \\ C1 = 12 \text{ pF} & (10 \text{ pF}) \\ C2 = 11 \text{ pF} & \end{array}$$

**VI TELEFILTER****Filter specification****TFS 341 A****4/5****Stability characteristics**

After the following tests the filter shall meet the whole specification:

1. Shock: 100g, 18 ms, half sine wave, 3 shocks each plane;  
DIN IEC 68 T2 - 27
2. Vibration: 10 Hz to 500 Hz, 0.075 mm amplitude, 1g; 2 hours for 3 planes;  
DIN IEC 68 T2 - 6
3. Damp heat: 90 % to 95 % rel. humidity, 55 °C, 10 cycles;  
DIN IEC 68-2-30.
4. Resistance to solder heat (Reflow): 260 °C for 10 sec;

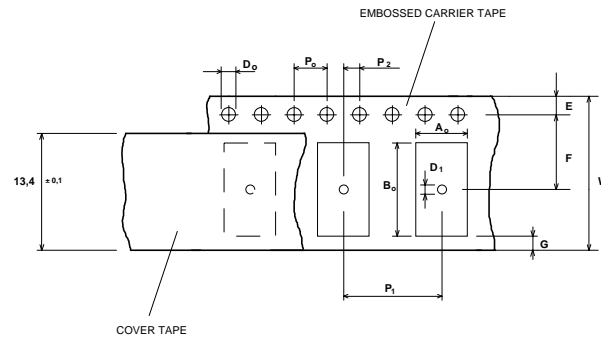
**Packing**

Tape & Reel: IEC 286 - 3, with exception of value for N and minimum bending radius;  
tape type II, embossed carrier tape with top cover tape on the upper side;

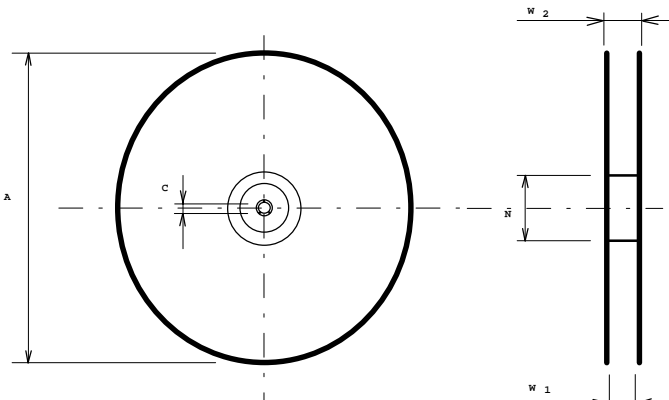
max. pieces of filters per reel: 3400

**Tape (all dimensions in mm)**

W	: 16 ± 0,3
Po	: 4 ± 0,1
Do	: 1,5 + 0,5
D1	: 1,5 + 0,5
E	: 1,75 ± 0,1
F	: 7,5 ± 0,1
G (min)	: 0,75
P2	: 2 ± 0,05
P1	: 8 ± 0,1
D1(min)	: 1,5
Ao	: 5,4 ± 0,1
Bo	: 7,4 ± 0,1

**Reel (all dimensions in mm):**

A	:	330
W1	:	16,4 +2
W2 (max)	:	22,4
N (min)	:	>= 90
C	:	13 ± 0,25



The minimum bending radius is 45 mm. The mounting surface of the filters faces the bottom side of the embossed carrier tape. The marking of the filters is able to read if the view is directed on the upper side of the carrier tape with the sprocket holes on the left side of the tape.

**VI TELEFILTER**  
**Potsdamer Straße 18**  
**D 14 513 TELTOW / Germany**  
**Tel: (+49) 3328 4784-52 / Fax: (+49) 3328 4784-30**  
**E-Mail: tft@telefilter.com**

**Vectron International, Inc.**  
**267 Lowell Road**  
**Hudson, NH 03051 / USA**  
**Tel: (603) 598-0070 Fax: (603) 598-0075**  
**E-Mail: vti@vtinh.com**

VI TELEFILTER reserves the right to make changes to the product(s) and/or information contained herein without notice. No liability is assumed as a result of their use or application. No rights under any patent accompany the sale of any such product(s) or information.

**VI TELEFILTER****Filter specification****TFS 341 A****5/5****Air reflow temperature conditions**

## 1st and 2nd air reflow profile

Name:	pre-heating periods	main-heating periods	peak temperature
Temperature:	150 °C - 170 °C	over 200 °C	255 °C ± 5 °C
Time:	60 sec. - 90 sec.	20 sec. - 25 sec.	

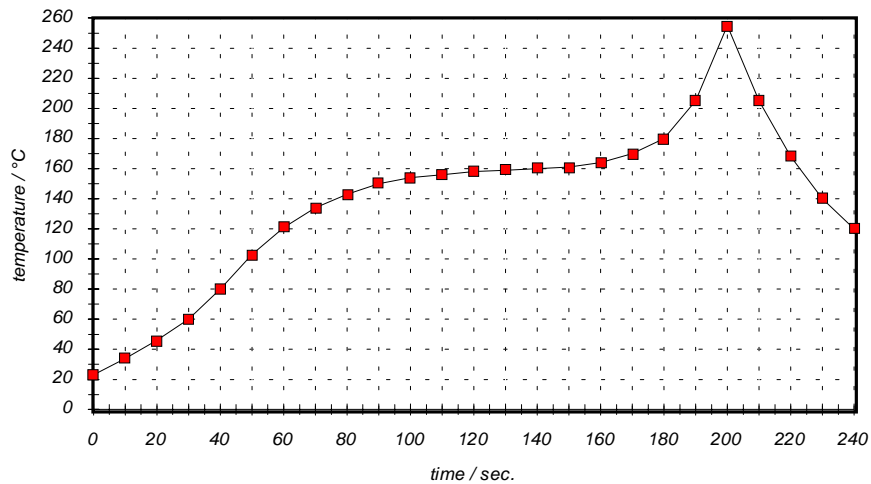
**Chip-mount air reflow profile**

Table for temperature vs. time during the air reflow process

Tolerance of temperatures: ± 5 °C

time / sec.	temperature / °C	time / sec.	temperature / °C
0	23	140	160
10	34	150	161
20	46	160	164
30	60	170	170
40	80	180	180
50	103	190	205
60	121	195	230
70	134	200	255
80	143	205	230
90	150	210	205
100	154	215	180
110	156	220	165
120	158	230	140
130	159	240	120

VI TELEFILTER  
 Potsdamer Straße 18  
 D 14 513 TELTOW / Germany  
 Tel: (+49) 3328 4784-52 / Fax: (+49) 3328 4784-30  
 E-Mail: tft@telefilter.com

Vectron International, Inc.  
 267 Lowell Road  
 Hudson, NH 03051 / USA  
 Tel: (603) 598-0070 Fax: (603) 598-0075  
 E-Mail: vti@vtinh.com

VI TELEFILTER reserves the right to make changes to the product(s) and/or information contained herein without notice. No liability is assumed as a result of their use or application. No rights under any patent accompany the sale of any such product(s) or information.