

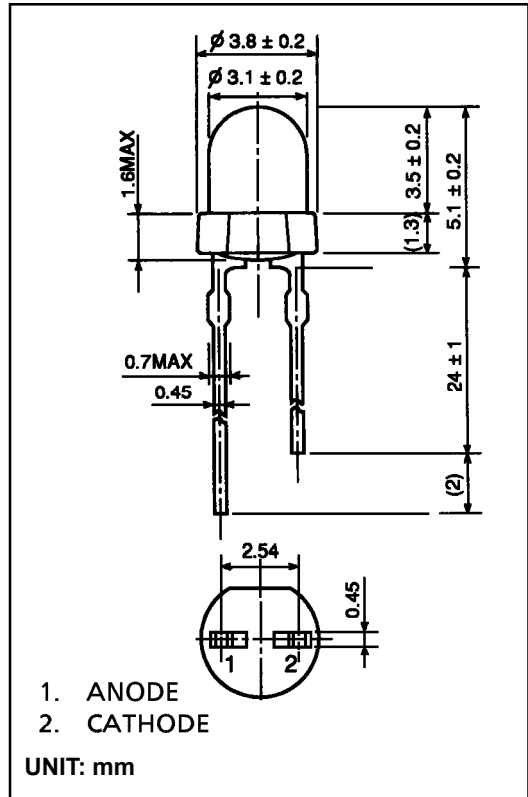
TLGE262

Product Features -

- InGaAlP Technology
- 3mm Diameter T-1 Package
- High Luminous Intensity
- Water Clear Lens
- Fast Response Time, Capable of Pulse Operation

MAXIMUM RATINGS (Ta = 25°C)

CHARACTERISTIC	SYMBOL	RATING	UNIT
Forward Current	I _F	50	mA
Reverse Voltage	V _R	4	V
Power Dissipation	P _D	140	mW
Operating Temperature	T _{opr}	-30 ~ 85	°C
Storage Temperature	T _{stg}	-40 ~ 120	°C



OPTO-ELECTRICAL CHARACTERISTICS (Ta = 25°C)

CHARACTERISTIC	SYMBOL	TEST CONDITION	MIN.	TYP.	MAX.	UNIT
Forward Voltage	V _F	I _F = 20mA	—	2.27	2.8	V
Reverse Current	I _R	V _R = 4V	—	—	50	μA
Luminous Intensity	I _v	I _F = 20mA	45	150	—	mcd
Viewing Angle	2θ _{1/2}	—	—	62	—	°
Peak Wavelength	λ _p	I _F = 20mA	—	574	—	nm
Dominant Wavelength	λ _d	I _F = 20mA	—	571	—	nm
Spectral Line Half Width	Δλ	I _F = 20mA	—	11	—	nm

* Luminous Ranks: (M : 56-112mcd), (N : 100-200mcd), (P : 180-360mcd) Upper and lower limit tolerance ±15%
Available in One Bin Combination: (MN)

TLGE262 Graphs -

