

TOSHIBA PHOTOCOUPLER GaAs IRED & PHOTO-TRANSISTOR

TLP180

PROGRAMMABLE CONTROLLERS

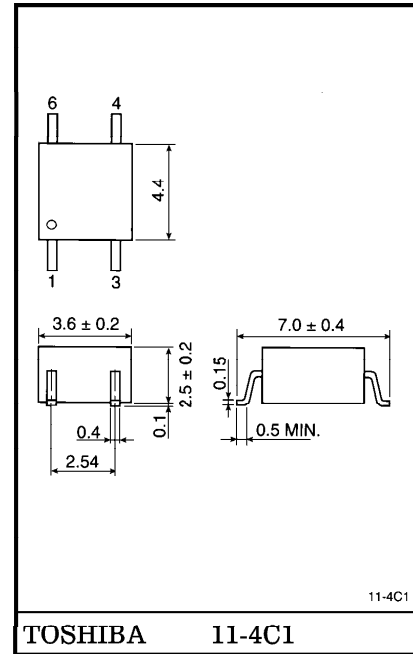
AC/DC-INPUT MODULE

TELECOMMUNICATION

The TOSHIBA MINI FLAT COUPLER TLP180 is a small outline coupler, suitable for surface mount assembly. TLP180 consist of a photo transistor, optically coupled to a gallium arsenide infrared emitting diode connected inverse parallel, and can operate directly by AC input current.

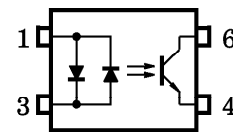
- Collector-Emitter Voltage : 80V (Min.)
- Current Transfer Ratio : 50% (Min.)
Rank GB : 100% (Min.)
- Isolation Voltage : 3750V_{rms} (Min.)
- UL Recognized : UL1577, File No. E67349

Unit in mm



Weight : 0.09g

PIN CONFIGURATION (TOP VIEW)



- 1 : ANODE, CATHODE
- 3 : CATHODE, ANODE
- 4 : EMITTER
- 6 : COLLECTOR

961001EBC2

● TOSHIBA is continually working to improve the quality and the reliability of its products. Nevertheless, semiconductor devices in general can malfunction or fail due to their inherent electrical sensitivity and vulnerability to physical stress. It is the responsibility of the buyer, when utilizing TOSHIBA products, to observe standards of safety, and to avoid situations in which a malfunction or failure of a TOSHIBA product could cause loss of human life, bodily injury or damage to property. In developing your designs, please ensure that TOSHIBA products are used within specified operating ranges as set forth in the most recent products specifications. Also, please keep in mind the precautions and conditions set forth in the TOSHIBA Semiconductor Reliability Handbook.

● Gallium arsenide (GaAs) is a substance used in the products described in this document. GaAs dust and fumes are toxic. Do not break, cut or pulverize the product, or use chemicals to dissolve them. When disposing of the products, follow the appropriate regulations. Do not dispose of the products with other industrial waste or with domestic garbage.

● The products described in this document are subject to foreign exchange and foreign trade control laws.

● The information contained herein is presented only as a guide for the applications of our products. No responsibility is assumed by TOSHIBA CORPORATION for any infringements of intellectual property or other rights of the third parties which may result from its use. No license is granted by implication or otherwise under any intellectual property or other rights of TOSHIBA CORPORATION or others.

● The information contained herein is subject to change without notice.

MAXIMUM RATINGS (Ta = 25°C)

CHARACTERISTIC		SYMBOL	RATING	UNIT
LED	Forward Current	I _F (RMS)	±50	mA
	Forward Current Derating (Ta ≥ 53°C)	ΔI _F / °C	-0.7	mA / °C
	Pulse Forward Current (Note 1)	I _{FP}	±1	A
	Junction Temperature	T _j	125	°C
DETECTOR	Collector-Emitter Voltage	V _{CEO}	80	V
	Emitter-Collector Voltage	V _{ECO}	7	V
	Collector Current	I _C	50	mA
	Power Dissipation	P _C	150	mW
	Power Dissipation Derating (Ta ≥ 25°C)	ΔP _C / °C	-1.5	mW / °C
	Junction Temperature	T _j	125	°C
Storage Temperature Range		T _{stg}	-55~125	°C
Operating Temperature Range		T _{opr}	-55~100	°C
Lead Soldering Temperature (10s)		T _{sol}	260	°C
Total Package Power Dissipation		P _T	200	mW
Total Package Power Dissipation Derating (Ta ≥ 25°C)		ΔP _T / °C	-2.0	mW / °C
Isolation Voltage (AC, 1 min., R.H. ≤ 60%) (Note 2)		BV _S	3750	V _{rms}

Note 1 : Pulse width ≤ 100 μs, f = 100 Hz

Note 2 : Device considered a two terminal device : Pins 1 and 3 shorted together and 4 and 6 shorted together.

RECOMMENDED OPERATING CONDITIONS

CHARACTERISTIC	SYMBOL	MIN.	TYP.	MAX.	UNIT
Supply Voltage	V _{CC}	—	5	48	V
Forward Current	I _F (RMS)	—	16	20	mA
Collector Current	I _C	—	1	10	mA
Operating Temperature	T _{opr}	-25	—	85	°C

ELECTRICAL CHARACTERISTICS (Ta = 25°C)

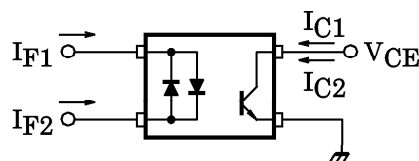
CHARACTERISTIC		SYMBOL	TEST CONDITION	MIN.	TYP.	MAX.	UNIT
LED	Forward Voltage	V _F	I _F = ±10mA	1.0	1.15	1.3	V
	Capacitance	C _T	V = 0, f = 1MHz	—	60	—	pF
DETECTOR	Collector-Emitter Breakdown Voltage	V (BR) CEO	I _C = 0.5mA	80	—	—	V
	Emitter-Collector Breakdown Voltage	V (BR) ECO	I _E = 0.1mA	7	—	—	V
	Collector Dark Current	I _{CEO}	V _{CE} = 48V (Ambient Light) Below 1000 lx (Note 3)	—	0.01 (2)	0.1 (10)	μA
			V _{CE} = 48V (Ambient Light) Ta = 85°C Below 1000 lx (Note 3)	—	2 (4)	50 (50)	μA
Capacitance (Collector to Emitter)	C _{CE}	V = 0, f = 1MHz	—	10	—	pF	

Note 3 : Please use standard electric lamp to light up the device's marking surface.

COUPLED ELECTRICAL CHARACTERISTICS (Ta = 25°C)

CHARACTERISTIC	SYMBOL	TEST CONDITION	MIN.	TYP.	MAX.	UNIT
Current Transfer Ratio	I _C / I _F	I _F = ±5mA, V _{CE} = 5V Rank GB	50	—	600	%
			100	—	600	
Saturated CTR	I _C / I _F (sat)	I _F = ±1mA, V _{CE} = 0.4V Rank GB	—	60	—	%
			30	—	—	
Collector-Emitter Saturation Voltage	V _{CE} (sat)	I _C = 2.4mA, I _F = ±8mA I _C = 0.2mA, I _F = ±1mA Rank GB	—	—	0.4	V
			—	0.2	—	
			—	—	0.4	
Off-State Collector Current	I _C (off)	V _F = ±0.7V, V _{CE} = 48V	—	1	10	μA
CTR Symmetry	I _C (ratio)	I _C (I _F = -5mA) / I _C (I _F = 5mA) (Note 4)	0.33	1	3	—

$$\text{Note 4 : } I_C (\text{ratio}) = \frac{I_{C2} (I_F = I_{F2}, V_{CE} = 5V)}{I_{C1} (I_F = I_{F1}, V_{CE} = 5V)}$$



ISOLATION CHARACTERISTICS (Ta = 25°C)

CHARACTERISTIC	SYMBOL	TEST CONDITION	MIN.	TYP.	MAX.	UNIT
Capacitance Input to Output	C _S	V _S =0V, f=1MHz	—	0.8	—	pF
Isolation Resistance	R _S	V _S =500V, R.H.≤60%	5×10 ¹⁰	10 ¹⁴	—	Ω
Isolation Voltage	BV _S	AC, 1 minute	3750	—	—	V _{rms}
		AC, 1 second, in oil	—	10000	—	
		DC, 1 minute, in oil	—	10000	—	V _{dc}

SWICING CHARACTERISTICS (Ta = 25°C)

CHARACTERISTIC	SYMBOL	TEST CONDITION	MIN.	TYP.	MAX.	UNIT
Rise Time	t _r	V _{CC} =10V, I _C =2mA R _L =100Ω	—	2	—	μs
Fall Time	t _f		—	3	—	
Turn-On Time	t _{on}		—	3	—	
Turn-Off Time	t _{off}		—	3	—	
Turn-On Time	t _{ON}	R _L =1.9kΩ (Fig.1) V _{CC} =5V, I _F =±16mA	—	2	—	μs
Storage Time	t _s		—	25	—	
Turn-Off Time	t _{OFF}		—	40	—	

Fig.1 : Switching time test circuit

