

Preliminary

TOSHIBA Photocoupler Photorelay

TLP3114

Measurement Instruments

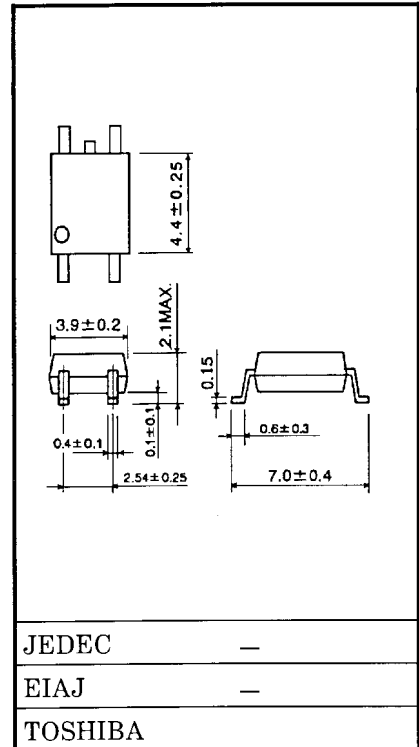
- Logic IC Testers/memory Testers
- Board Testers/Scanners

The Toshiba TLP3114 SOP photorelay is a small-outline photorelay, suitable for surface-mount assembly. The TLP3114 consists of a GaAs infrared-emitting diode optically coupled to a photo-MOSFET and housed in a 4-pin 2.1-mm high SOP.

Its characteristics include low OFF-state current and low output pin capacitance, enabling it to be used in high-frequency measuring instruments.

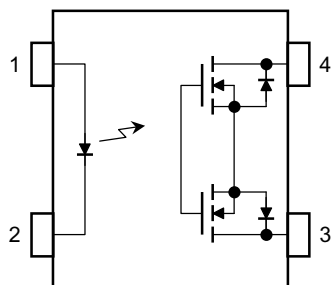
- SOP (2.54SOP4): 2.1 mm high, 2.54-mm pitch
- 1 Form A
- Peak OFF-State Voltage: 40 V (min)
- Trigger LED Current: 4 mA (max)
- ON-State Current: 300 mA (max)
- ON-State Resistance: 3.0 Ω (max), 2.0 Ω (typ.)
- Output Capacitance: 7.0 pF (max), 5.0 pF (typ.)
- Isolation Voltage: 1500 Vrms (min)

Unit in mm



Weight : 0.1 g

Pin Configuration (top view)



- 1: ANODE
- 2: CATHODE
- 3: DRAIN
- 4: DRAIN

Preliminary

Maximum Ratings (Ta = 25°C)

Characteristics		Symbol	Rating	Unit
LED	Forward Current	I_F	50	mA
	Reverse Voltage	V_R	6	V
	Junction Temperature	T_j	125	°C
DETECTOR	OFF-state Output Voltage	V_{OFF}	40	V
	ON-state Current	I_{ON}	300	mA
	Peak ON-state Current (t = 100 ms, 1 shot)	I_{PEAK}	0.9	A
	Junction Temperature	T_j	125	°C
Storage Temperature		T_{stg}	-55~125	°C
Operating Temperature		T_{opr}	-20~85	°C
Lead Soldering Temperature (10 s)		T_{sol}	260	°C
Isolation Voltage (AC, 1 min, R.H. ≤ 60%) (Note 1)		BV_S	1500	Vrms

Note 1: Device considered a two-pin device: Pins 1 and 2 shorted together, and pins 3 and 4 shorted together.

Recommended Operating Conditions

Characteristics	Symbol	Min	Typ.	Max	Unit
Supply Voltage	V_{OFF}	—	—	32	V
Forward Current	I_F	10	—	30	mA
ON-state Current	I_{ON}	—	—	300	mA
Operating Temperature	T_{opr}	25	—	60	°C

Individual Electrical Characteristics (Ta = 25°C)

Characteristics		Symbol	Test Condition	Min	Typ.	Max	Unit
LED	Forward Voltage	V_F	$I_F = 20 \text{ mA}$	1.0	1.2	1.4	V
	Reverse Voltage	I_R	$V_R = 6 \text{ V}$	—	—	10	μA
	Capacitance	C_T	$V = 0, f = 1 \text{ MHz}$	—	15	—	pF
DETECTOR	OFF-state Current	I_{OFF}	$V_{OFF} = 30 \text{ V}, T_a = 50^\circ\text{C}$	—	—	1000	pA
	Output Capacitance	C_{OFF}	$V = 0, f = 100 \text{ MHz}$	—	5.0	7.0	pF

Preliminary

Coupled Electrical Characteristics (Ta = 25°C)

Characteristics	Symbol	Test Condition	Min	Typ.	Max	Unit
Trigger LED Current	I_{FT}	$I_{ON} = 100 \text{ mA}$	—	—	4	mA
Close LED Current	I_{FC}	$I_{OFF} = 10 \text{ } \mu\text{A}$	0.2	0.75	—	mA
ON-state Resistance	R_{ON}	$I_{ON} = 100 \text{ mA}, I_F = 5 \text{ mA}$	—	2.0	3.0	Ω

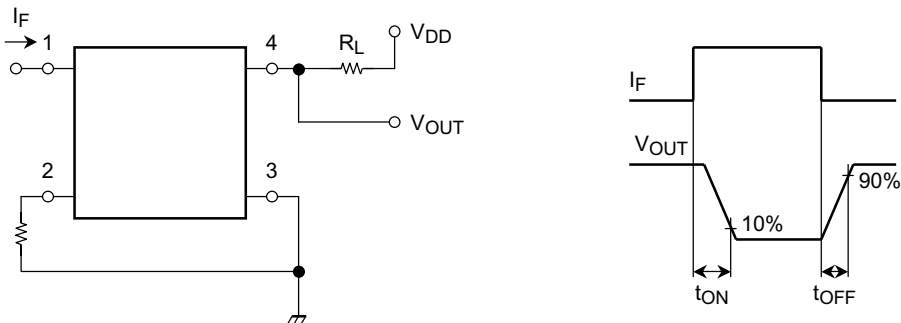
Isolation Characteristics (Ta = 25°C)

Characteristics	Symbol	Test Condition	Min	Typ.	Max	Unit
Capacitance Input to Output	C_S	$V_S = 0 \text{ V}, f = 1 \text{ MHz}$	—	0.8	—	pF
Isolation Resistance	R_S	$V_S = 500 \text{ V}, \text{R.H.} \leq 60\%$	5×10^{10}	10^{14}	—	Ω
Isolation Voltage	BV_S	AC, 1 minute	1500	—	—	Vrms
		AC, 1 second (in oil)	—	3000	—	Vrms
		DC, 1 minute (in oil)	—	3000	—	Vdc

Switching Characteristics (Ta = 25°C)

Characteristics	Symbol	Test Condition	Min	Typ.	Max	Unit
Turn-ON Time	t_{ON}	$R_L = 200 \text{ } \Omega$ $V_{DD} = 20 \text{ V}, I_F = 10 \text{ mA}$ (Note 2)	—	—	500	μs
Turn-OFF Time	t_{OFF}		—	—	500	

Note 2: Switching Time Test Circuit



RESTRICTIONS ON PRODUCT USE

000707EBC

- TOSHIBA is continually working to improve the quality and reliability of its products. Nevertheless, semiconductor devices in general can malfunction or fail due to their inherent electrical sensitivity and vulnerability to physical stress. It is the responsibility of the buyer, when utilizing TOSHIBA products, to comply with the standards of safety in making a safe design for the entire system, and to avoid situations in which a malfunction or failure of such TOSHIBA products could cause loss of human life, bodily injury or damage to property.
In developing your designs, please ensure that TOSHIBA products are used within specified operating ranges as set forth in the most recent TOSHIBA products specifications. Also, please keep in mind the precautions and conditions set forth in the "Handling Guide for Semiconductor Devices," or "TOSHIBA Semiconductor Reliability Handbook" etc..
- The TOSHIBA products listed in this document are intended for usage in general electronics applications (computer, personal equipment, office equipment, measuring equipment, industrial robotics, domestic appliances, etc.). These TOSHIBA products are neither intended nor warranted for usage in equipment that requires extraordinarily high quality and/or reliability or a malfunction or failure of which may cause loss of human life or bodily injury ("Unintended Usage"). Unintended Usage include atomic energy control instruments, airplane or spaceship instruments, transportation instruments, traffic signal instruments, combustion control instruments, medical instruments, all types of safety devices, etc.. Unintended Usage of TOSHIBA products listed in this document shall be made at the customer's own risk.
- Gallium arsenide (GaAs) is a substance used in the products described in this document. GaAs dust and fumes are toxic. Do not break, cut or pulverize the product, or use chemicals to dissolve them. When disposing of the products, follow the appropriate regulations. Do not dispose of the products with other industrial waste or with domestic garbage.
- The products described in this document are subject to the foreign exchange and foreign trade laws.
- The information contained herein is presented only as a guide for the applications of our products. No responsibility is assumed by TOSHIBA CORPORATION for any infringements of intellectual property or other rights of the third parties which may result from its use. No license is granted by implication or otherwise under any intellectual property or other rights of TOSHIBA CORPORATION or others.
- The information contained herein is subject to change without notice.