



### EMI-PROTECTED JACKS

#### ● GENERAL

The EMI-protected modular connectors have been developed from the TM Series connectors, to resist noise. Designed to comply with the FCC (Federal Communications Commission)68 Standard, they range from standard parts to EMI-protected parts.

Furthermore, they are highly operable and resistant to severe environmental conditions to ensure customer satisfaction with shielding performance.

#### ● FEATURES

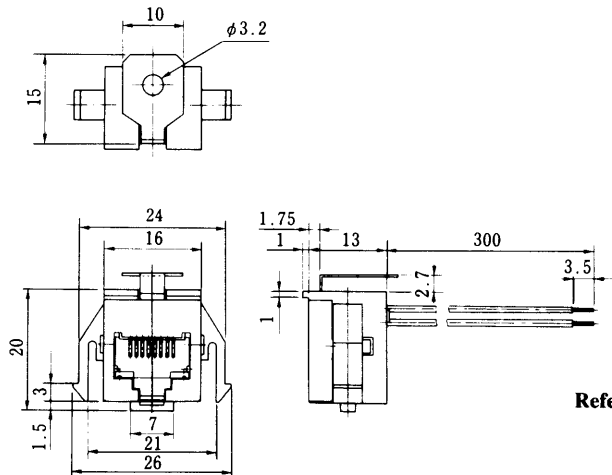
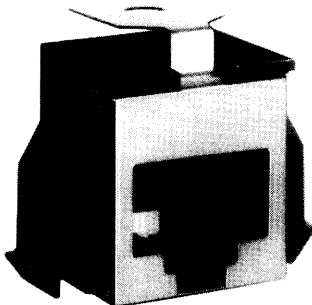
- (1) Plug connectors have a single-body shell and clamp to ensure secure protection from EMI.
- (2) To prevent electrostatic problems, plug connectors are designed so that the metal shell can be covered with a plastic hood.
- (3) Jack connectors that allow the shielded parts to be connected first during mating to protect the circuits within the set.
- (4) Plug harnesses can be wired easily and securely with a special tool.
- (5) Eight-conductor plugs and jack connectors comply with the ISO 8877 Standard (ISDN interface connector).

#### ● MAIN APPLICATIONS

ISDN related equipment, HBS, mobile telephones, office automation equipment.

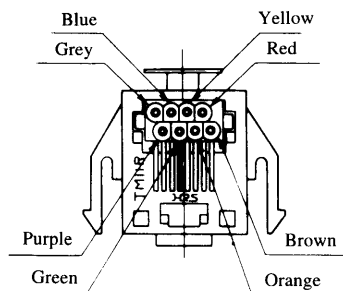
#### ● JACKS WITH LEAD WIRES

##### ● TM IIR-88-35S-300 CL222-1389-7



Reference mounting drawing

##### Standard color arrangement



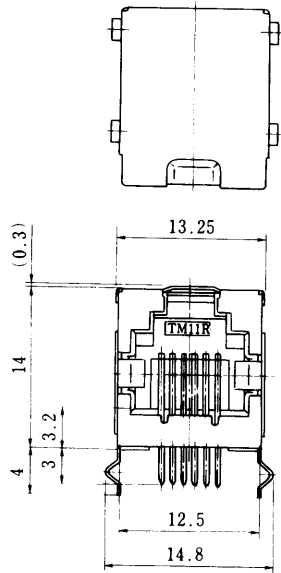
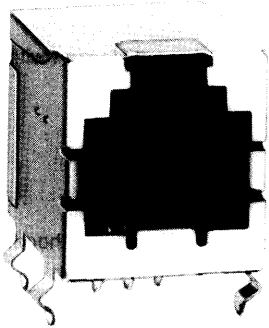
Note: Standard finish color is grey.

# MODULAR CONNECTORS

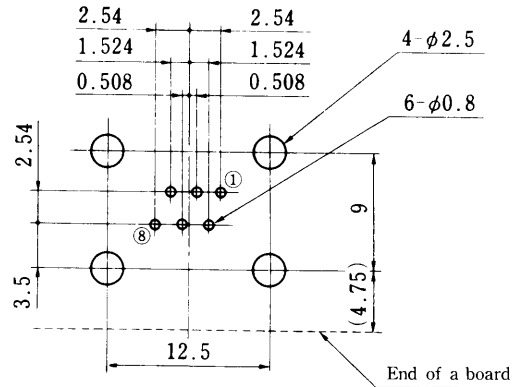
Right angle dip type connectors

CL 222 TM

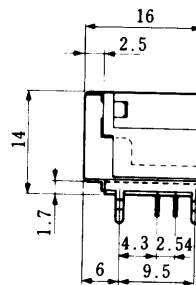
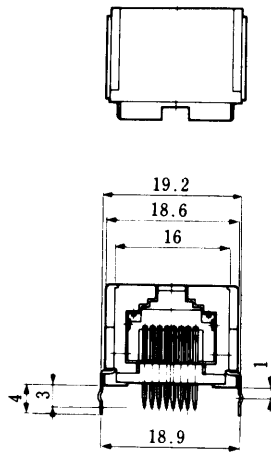
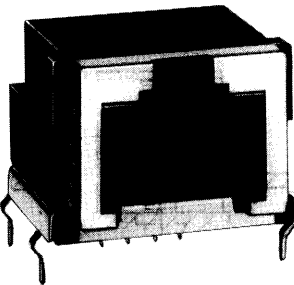
● TMI IR-5C-66  
CL222-2148-6



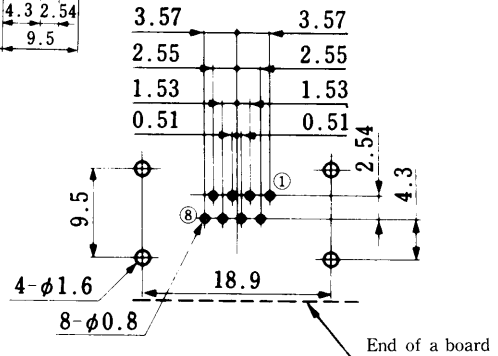
Board mounting dimensional drawing (connector side)



● TMI IR-5C-88  
CL222-1378-0



Board mounting dimensional drawing (connector side)



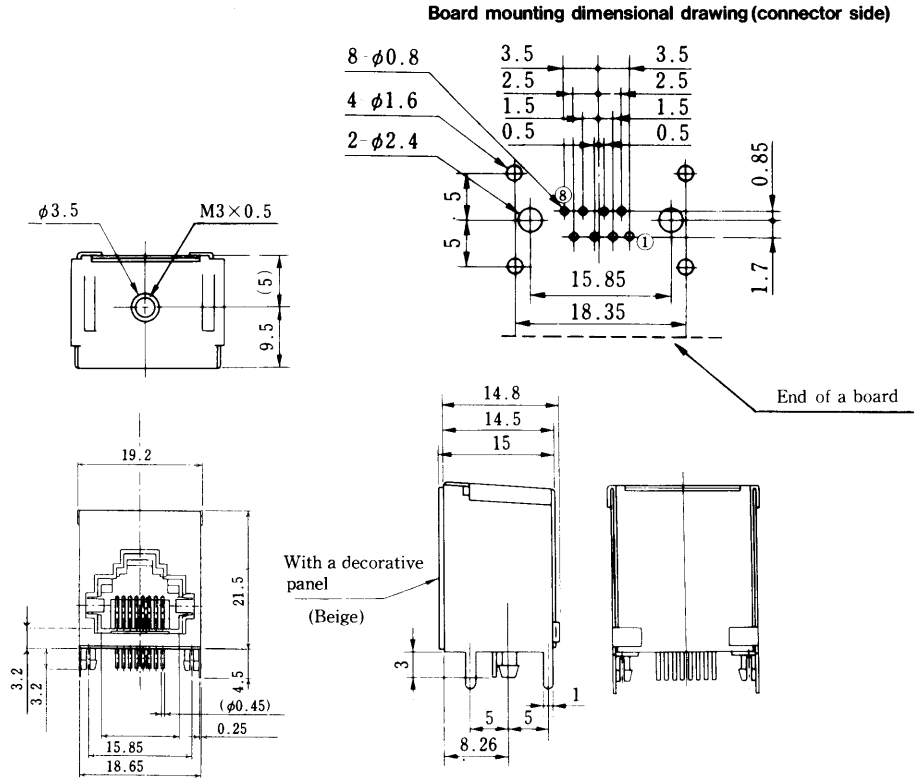
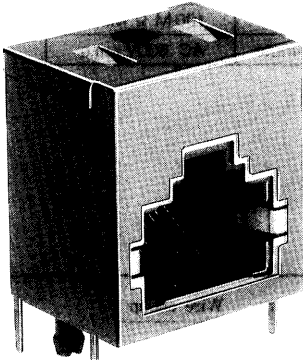
Note: Cover standard color is black.

# MODULAR CONNECTORS

CL 222 TM

## Right angle dip type connectors (With a decorative panel)

● TM11R-5E1-88  
CL222-3820-4



## Straight dip type connectors

● TM11R-3C-88  
CL222-2133-9

