

D-SUB MODULAR CONVERSION CONNECTOR

This is a conversion connector for use between an RS-232C interface(D-Sub 25 conductors) used for personal computer communications and modular connectors. The D-Sub and modular connectors used for the newly developed conversion connector have already been proven in many applications, winning confidence from our customers. The D-Sub mating parts feature a compact design with a screw lock system for use with computer related equipment.

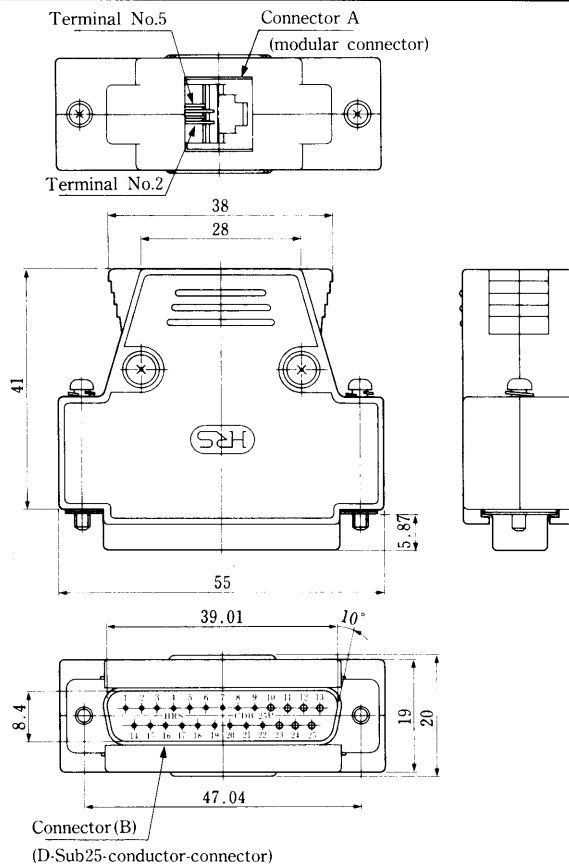
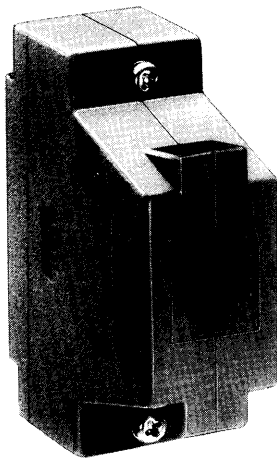
● Material/Finish

Item	Material	Finish
Modular Connector	Insulator: ABS resin Terminal: Phosphor bronze	Grey Gold-plated
D-Sub Connector	Shell: Mild steel Terminal: Phosphor bronze	Zinc-plated and treated with dichromate Gold-plated

● Electrical specifications

Item	Condition	Standard
Rated current	Per pin	500mA
Rated voltage	Per pin	125VAC
Insulation resistance	At 100 VDC	100 M Ω or more
Withstand voltage	standard voltage for 1 min.	500 VAC r.m.s.

● TM12RV-6※-※



CL222-3032-7
TM12RV-64-A

CL222-3347-8
TM12RV-64-C

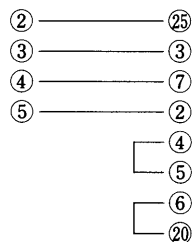
CL222-3396-3
TM12RV-64-D

CL222-3283-7
TM12RV-66-D

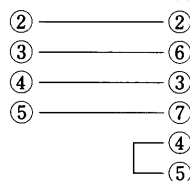
Connector A Connector B



Connector A Connector B



Connector A Connector B



Connector A Connector B

