

- NTSC-Timing Operation
- Solid-State Reliability
- Monochrome Operation
- Eight Selectable-Antiblooming Modes
- Surface-Mount Package
- Clamp-Pulse Select Option

## description

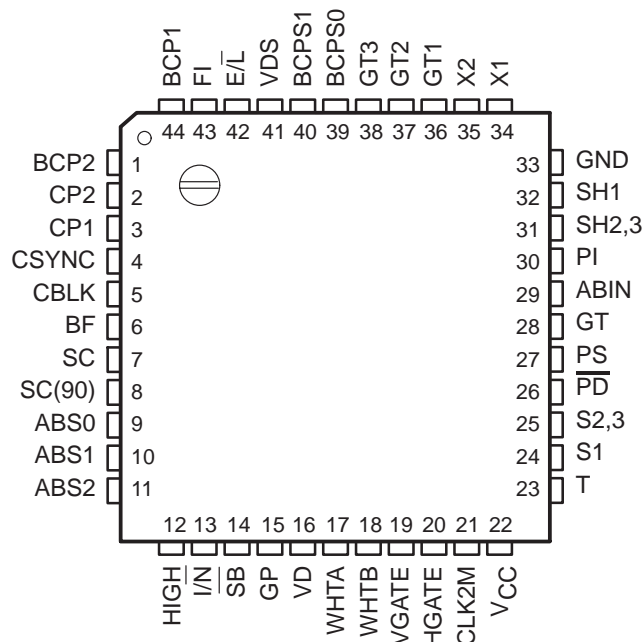
The TMS3471C is a monolithic integrated circuit designed to supply timing signals for the Texas Instruments (TI™) 11-mm diagonal TC241 monochrome CCD image sensor. The TMS3471C supplies both CCD drive signals and NTSC television synchronization signals at standard video rates. It requires a single 5-V supply voltage and a 14.318-MHz crystal-oscillator input. The TMS3471C provides several options, including multiple antiblooming modes, clamp-pulse selection, and delayed horizontal transfer.

The TMS3471C is used in conjunction with level-shifting devices such as the TI TMS3473B parallel driver and the TI TMS3472A serial driver.

It also supplies sample-and-hold signals for the TI TL1593 three-channel sample-and-hold and multiplex signals for the TI TL1051 video preprocessor. The TMS3471C NTSC synchronization-signal outputs include composite sync, composite blank, clamp, subcarrier, subcarrier delayed by 90 degrees, and burst flag.

The TMS3471C is supplied in a 44-pin plastic flat package and is characterized for operation from  $-20^{\circ}\text{C}$  to  $45^{\circ}\text{C}$ .

FS PACKAGE  
(TOP VIEW)



This device contains circuits to protect its inputs and outputs against damage due to high static voltages or electrostatic fields. These circuits have been qualified to protect this device against electrostatic discharges (ESD) of up to 2 kV according to MIL-STD-883C, Method 3015; however, precautions should be taken to avoid application of any voltage higher than maximum-rated voltages to these high-impedance circuits. During storage or handling, the device leads should be shorted together or the device should be placed in conductive foam. In a circuit, unused inputs should always be connected to an appropriate logic voltage level, preferably either  $V_{CC}$  or ground. Specific guidelines for handling devices of this type are contained in the publication *Guidelines for Handling Electrostatic-Discharge-Sensitive (ESDS) Devices and Assemblies* available from Texas Instruments.

TI is a trademark of Texas Instruments Incorporated.

PRODUCTION DATA information is current as of publication date. Products conform to specifications per the terms of Texas Instruments standard warranty. Production processing does not necessarily include testing of all parameters.

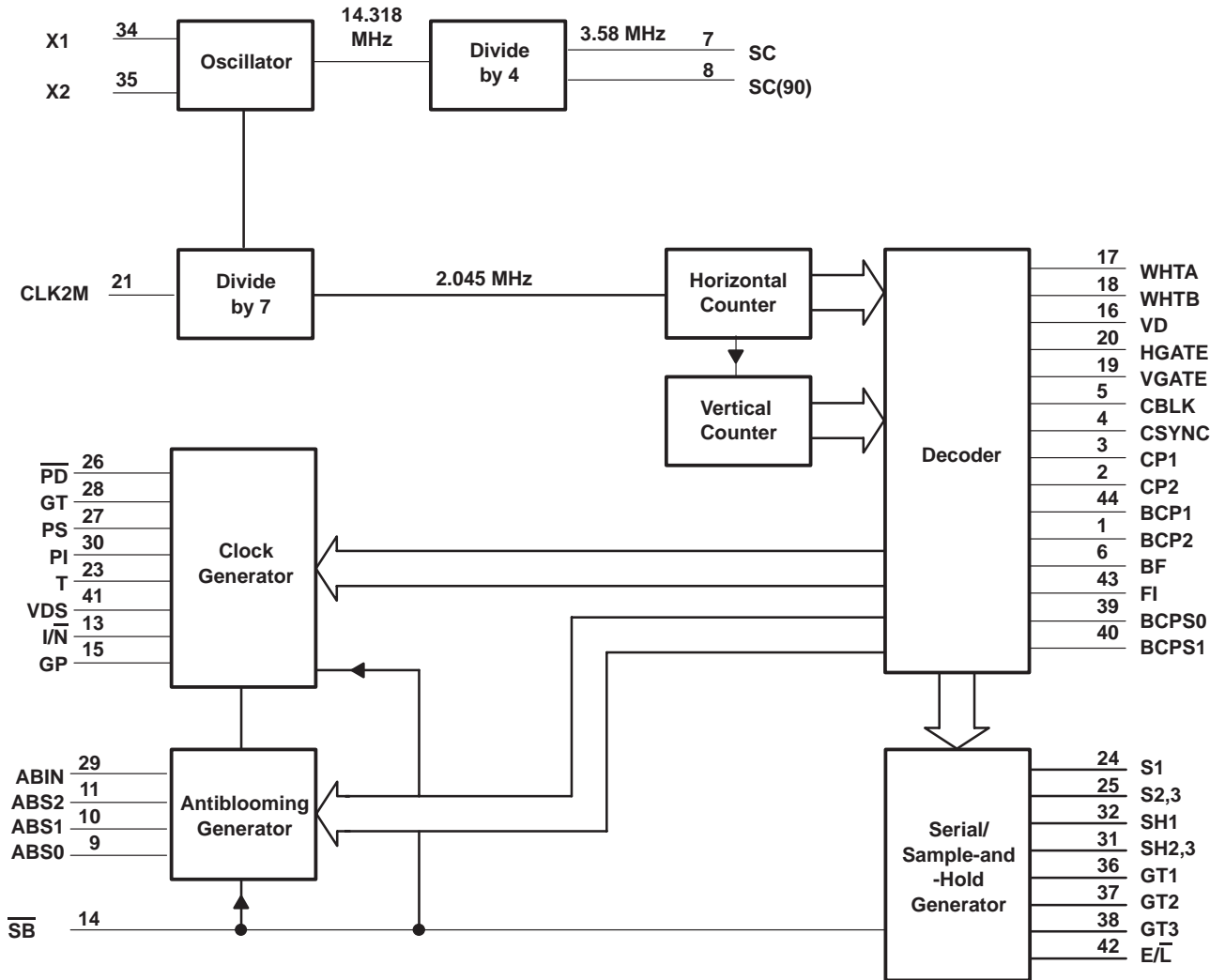


# TMS3471C

## 2/3-INCH NTSC TIMER

SOCS028B – AUGUST 1991

### functional block diagram



Terminal Functions

TERMINAL NAME	NO.	I/O	DESCRIPTION																																													
ABIN	29	O	Antiblooming in. ABIN drives the ABG input of the TC240/TC241 CCD image sensors.																																													
ABS0	9	I	<p>The levels on these three terminals determine which of the eight antiblooming modes is selected:</p> <table border="1"> <thead> <tr> <th>MODE</th> <th>ABS2</th> <th>ABS1</th> <th>ABS0</th> <th>Operation</th> </tr> </thead> <tbody> <tr> <td>0</td> <td>L</td> <td>L</td> <td>L</td> <td>No ABG pulses</td> </tr> <tr> <td>1</td> <td>L</td> <td>L</td> <td>H</td> <td>250-kHz clocking during flyback only</td> </tr> <tr> <td>2</td> <td>L</td> <td>H</td> <td>L</td> <td>1-MHz clocking during flyback only</td> </tr> <tr> <td>3</td> <td>L</td> <td>H</td> <td>H</td> <td>2.2-MHz clocking during flyback only</td> </tr> <tr> <td>4</td> <td>H</td> <td>L</td> <td>L</td> <td>250-kHz continuous clocking</td> </tr> <tr> <td>5</td> <td>H</td> <td>L</td> <td>H</td> <td>500-kHz continuous clocking</td> </tr> <tr> <td>6</td> <td>H</td> <td>H</td> <td>L</td> <td>1-MHz continuous clocking</td> </tr> <tr> <td>7</td> <td>H</td> <td>H</td> <td>H</td> <td>2.2-MHz continuous clocking</td> </tr> </tbody> </table>	MODE	ABS2	ABS1	ABS0	Operation	0	L	L	L	No ABG pulses	1	L	L	H	250-kHz clocking during flyback only	2	L	H	L	1-MHz clocking during flyback only	3	L	H	H	2.2-MHz clocking during flyback only	4	H	L	L	250-kHz continuous clocking	5	H	L	H	500-kHz continuous clocking	6	H	H	L	1-MHz continuous clocking	7	H	H	H	2.2-MHz continuous clocking
MODE	ABS2	ABS1		ABS0	Operation																																											
0	L	L		L	No ABG pulses																																											
1	L	L		H	250-kHz clocking during flyback only																																											
2	L	H		L	1-MHz clocking during flyback only																																											
3	L	H		H	2.2-MHz clocking during flyback only																																											
4	H	L		L	250-kHz continuous clocking																																											
5	H	L		H	500-kHz continuous clocking																																											
6	H	H	L	1-MHz continuous clocking																																												
7	H	H	H	2.2-MHz continuous clocking																																												
ABS1	10	I																																														
ABS2	11	I																																														
BCP1	44	O	Optical black clamp pulse 1																																													
BCP2	1	O	Optical black clamp pulse 2																																													
BCPS0	39	I	The levels on BCPS0 and BCPS1 determine the placement and duration of the BCP1 and BCP2 pulses relative to the horizontal scan timing (see Figure 4 for the truth table for BCPS0 and BCPS1 and for the corresponding BCP1 and BCP2 pulse placements).																																													
BCPS1	40	I																																														
BF	6	O	Burst flag																																													
CBLK	5	O	Composite blank																																													
CLK2M	21	O	2-MHz clock																																													
CP1	3	O	Clamp																																													
CP2	2	O	Clamp																																													
CSYNC	4	O	Composite sync																																													
$\overline{E/L}$	42	I	Delay select for S1 and S2,3. When $\overline{E/L}$ is high, the two serial-transfer pulses occur early relative to the sample-and-hold pulses SH1 and SH2,3. When $\overline{E/L}$ is low, the two serial-transfer pulses occur late relative to the sample-and-hold pulses.																																													
FI	43	O	Field index																																													
GND	33		Ground																																													
GP	15	I	Exposure control: GP gates PS and PI																																													
GT	28	O	TMS3473B parallel-driver MIDSSEL input switch																																													
GT1	36	O	Y gate 1																																													
GT2	37	O	Y gate 2																																													
GT3	38	O	Y gate 3																																													
HGATE	20	O	Decoded H count signal. HGATE is a test point and is not used in normal operation.																																													
HIGH	12	I	Not used (tie high)																																													
$\overline{I/N}$	13	I	Interlace select. If high, interlace mode is selected; if low, noninterlace mode is selected.																																													
PD	26	O	Power down. A low-logic level on PD causes the device to enter a low power-consumption mode.																																													
PI	30	O	Parallel-image-area gate clock																																													
PS	27	O	Parallel-storage-area gate clock																																													
$\overline{SB}$	14	I	Standby-mode select. When SB is high, normal operation is selected; when SB is low, the power-down mode is selected.																																													
SC	7	O	Subcarrier (3.58 MHz)																																													
SC(90)	8	O	Subcarrier phase shifted by 90 degrees																																													
SH1	32	O	Sample-and-hold pulse 1																																													
SH2,3	31	O	Sample-and-hold pulse 2, 3																																													

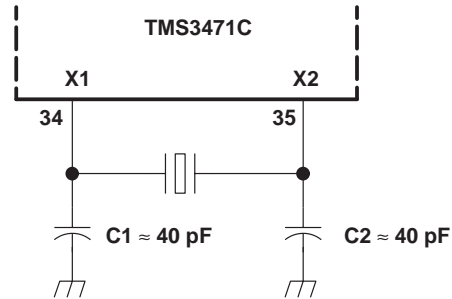
# TMS3471C

## 2/3-INCH NTSC TIMER

SOCS028B – AUGUST 1991

### Terminal Functions (Continued)

TERMINAL NAME	NO.	I/O	DESCRIPTION
S1	24	O	Serial clock 1
S2,3	25	O	Serial clock 2, 3
T	23	O	Transfer-gate clock
V <sub>CC</sub>	22		DC power
VD	16	O	Vertical drive
VDS	41	I	Vertical-dump speed. When VDS is high, the vertical-dump frequency is 2 MHz; when VDS is low, the vertical-dump frequency is 1 MHz. VDS can also function as a timer reset by dropping the voltage on VDS from V <sub>CC</sub> to V <sub>CC</sub> /2 and then raising it back to V <sub>CC</sub> .
VGATE	19	O	Decoded V count signal. VGATE is a test point and is not used in normal operation.
WHTA	17	O	WHTA is a test point and is not used in normal operation.
WHTB	18	O	WHTB is a test point and is not used in normal operation.
X1	34		Crystal oscillator (see Figure 1)
X2	35		



NOTE: The TMS3471C is designed for use with a crystal oscillator. The X1 and X2 terminals should not connect directly to external driver outputs.

Figure 1. Connection of an External Crystal Oscillator to the TMS3471C

**absolute maximum ratings over operating free-air temperature range (unless otherwise noted)†**

Supply voltage, $V_{CC}$ (see Note 1)		7 V
Input voltage range, $V_I$		–0.3 V to $V_{CC} + 0.3$ V
Output voltage range, $V_O$		–0.3 V to $V_{CC} + 0.3$ V
Continuous total power dissipation:	$T_A = 25^\circ\text{C}$	550 mW
	$T_A = 45^\circ\text{C}$	440 mW
	$T_A = 75^\circ\text{C}$	275 mW
Operating free-air temperature range, $T_A$		–20°C to 45°C
Storage temperature range		–55°C to 125°C
Lead temperature 1,6 mm (1/16 inch) from case for 10 seconds		260°C
Lead temperature 1,6 mm (1/16 inch) from case for 3 seconds		350°C

† Stresses beyond those listed under “absolute maximum ratings” may cause permanent damage to the device. These are stress ratings only, and functional operation of the device at these or any other conditions beyond those indicated under “recommended operating conditions” is not implied. Exposure to absolute-maximum-rated conditions for extended periods may affect device reliability.

NOTE 1: All voltage values are with respect to GND.

**recommended operating conditions**

	MIN	NOM	MAX	UNIT
Supply voltage, $V_{CC}$	4.5	5	5.5	V
High-level input voltage, $V_{IH}$				V
Low-level input voltage, $V_{IL}$			0.8	V
Operating frequency		14.31818		MHz
Power-up time		300		$\mu\text{s}$
Operating free-air temperature, $T_A$	–20		45	°C

# TMS3471C

## 2/3-INCH NTSC TIMER

SOCS028B – AUGUST 1991

electrical characteristics over recommended ranges of supply voltage and operating free-air temperature,  $V_{CC} = 5\text{ V}$  (unless otherwise noted)<sup>†</sup>

PARAMETER		TEST CONDITIONS	MIN	TYP	MAX	UNIT		
$V_{OH}$	High-level output voltage	$ I_{OH}  < 1\ \mu\text{A}$	4.95			V		
$V_{OL}$	Low-level output voltage	$ I_{OL}  < 1\ \mu\text{A}$			0.05	V		
$I_{IH}^{\ddagger}$	High-level input current	$V_{CC} = 5\text{ V}$	75			$\mu\text{A}$		
		$V_{CC} = 4.5\text{ V}$	65					
$I_{IL}$	Low-level input current	$V_{CC} = 5.5\text{ V}$			225	$\mu\text{A}$		
		$V_{CC} = 5\text{ V}$			200			
$I_{OH}$	High-level output current	$V_{OH} = 3.5\text{ V}$	S1, T, ABIN, PS, PI, GT			-0.1	mA	
			S2,3, $\overline{\text{PD}}$			-0.2		
			SH1, GT1, GT2, GT3			-2.5		
			SH2,3			-5		
			BCP1, BCP2			-1		
			SC, SC(90)			-3		
			CP2			-0.6		
			CLK2M			-0.3		
			All other outputs	$V_{OH} = 4.6\text{ V}$				-0.5
			$I_{OL}$	Low-level output current	$V_{OL} = 0.4\text{ V}$	S1, T, ABIN, PS, PI, GT		
S2,3, $\overline{\text{PD}}$						0.2		
SH1, GT1, GT2, GT3						2.5		
SH2,3						5		
BCP1, BCP2						1		
SC, SC(90)						0.3		
CP2						0.6		
CLK2M						0.3		
All other outputs						0.5		
$I_{CC(AV)}$	Average supply current						40	
$I_{CC(S)}$	Standby supply current			15		mA		

<sup>†</sup> The  $\overline{\text{SB}}$  input is a Schmitt-trigger input with 0.5-V to 1-V hysteresis.

<sup>‡</sup> All inputs have pullup-current sources.

switching characteristics over recommended operating free-air temperature range,  $V_{CC} = 5\text{ V}$

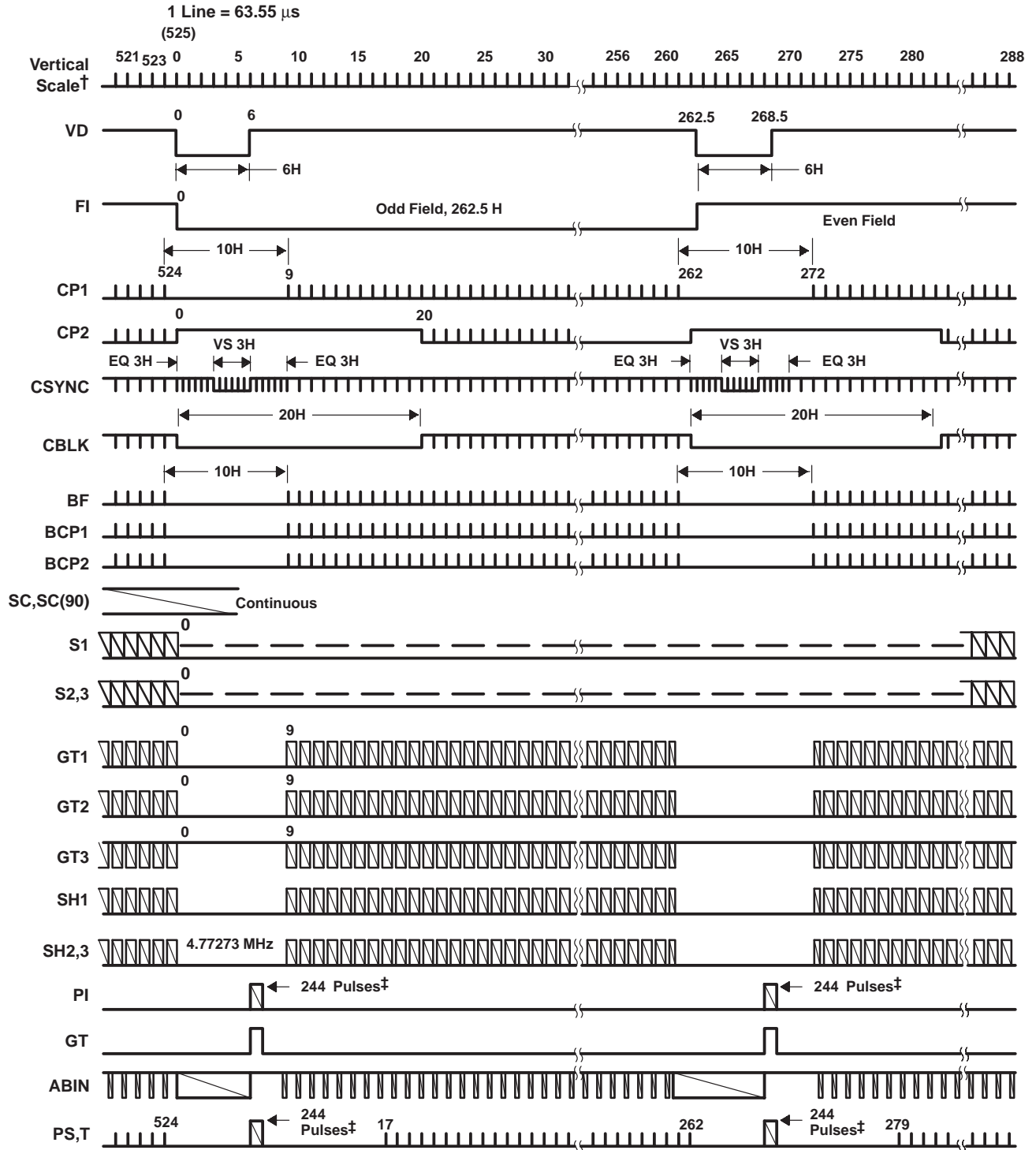
PARAMETER		TEST CONDITIONS	MIN	TYP	MAX	UNIT	
$t_r$	Rise time	S1	$C_L = 20\text{ pF}$	10		ns	
		S2,3	$C_L = 40\text{ pF}$	10			
		ABIN, GT, $\overline{PD}$ , PI, PS, T	$C_L = 20\text{ pF}$	30			
		GT1, GT2, GT3, SH1		10			
		SH2,3	$C_L = 40\text{ pF}$	10			
		BCP1, BCP2	$C_L = 50\text{ pF}$	100			
		SC, SC(90)	$C_L = 15\text{ pF}$	30			
		CLK2M	$C_L = 50\text{ pF}$	50			
		All other outputs		200			
$t_f$	Fall time	S1	$C_L = 20\text{ pF}$	8		ns	
		S2,3	$C_L = 40\text{ pF}$	8			
		ABIN, GT, $\overline{PD}$ , PI, PS, T	$C_L = 20\text{ pF}$	30			
		GT1, GT2, GT3, SH1		8			
		SH2,3	$C_L = 40\text{ pF}$	8			
		BCP1, BCP2	$C_L = 50\text{ pF}$	100			
		SC, SC(90)	$C_L = 15\text{ pF}$	30			
		CLK2M	$C_L = 50\text{ pF}$	50			
		All other outputs		100			
$t_{sk(o)}$	Skew time	S1 rising edge to S2,3 rising edge			$\pm 5$	ns	
		S1 falling edge to SH1 falling edge		-3	-8		-13
		S1 rising edge to GT1 falling edge		-3	-8		-13
		SH2,3 rising edge to GT1 rising edge					$\pm 5$
		S2,3 falling edge to SH2,3 falling edge		-3	-8		-13
		S2,3 falling edge to GT2 rising edge		-3	-8		-13
		SH2,3 falling edge to GT2 rising edge					$\pm 5$
		SH2,3 rising edge to GT3 falling edge					$\pm 5$
$t_w - t_c/2$	Pulse duration compared to pulse duration at 50% duty cycle†	S1 or S2, 3			$\pm 5$	ns	

† The S1 and S2,3 outputs ideally exhibit a 50% duty cycle. This parameter indicates how much the duty cycle may shift while a constant cycle time is maintained. For example, for a 210-ns cycle time,  $t_{w(H)} = 110\text{ ns}$  and  $t_{w(L)} = 100\text{ ns}$  are possible.

# TMS3471C 2/3-INCH NTSC TIMER

SOCS028B – AUGUST 1991

## PARAMETER MEASUREMENT INFORMATION

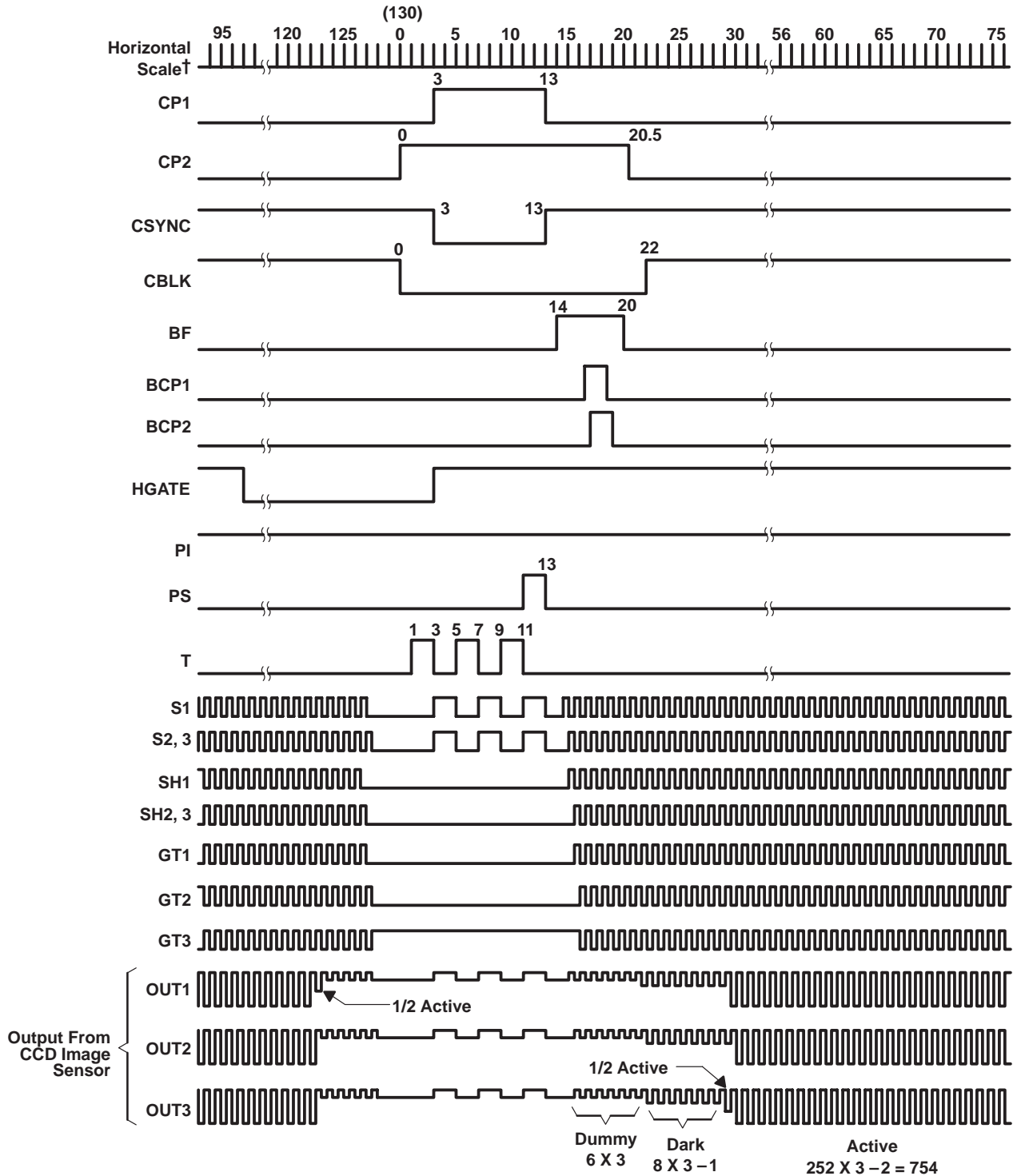


† 525 intervals equal 33.3 ms equals 1 TV frame

‡ The frequency of these pulses is either 2.04545 MHz or 1.02273 MHz and is determined by the logic level on the VDS input.

Figure 2. Vertical Timing



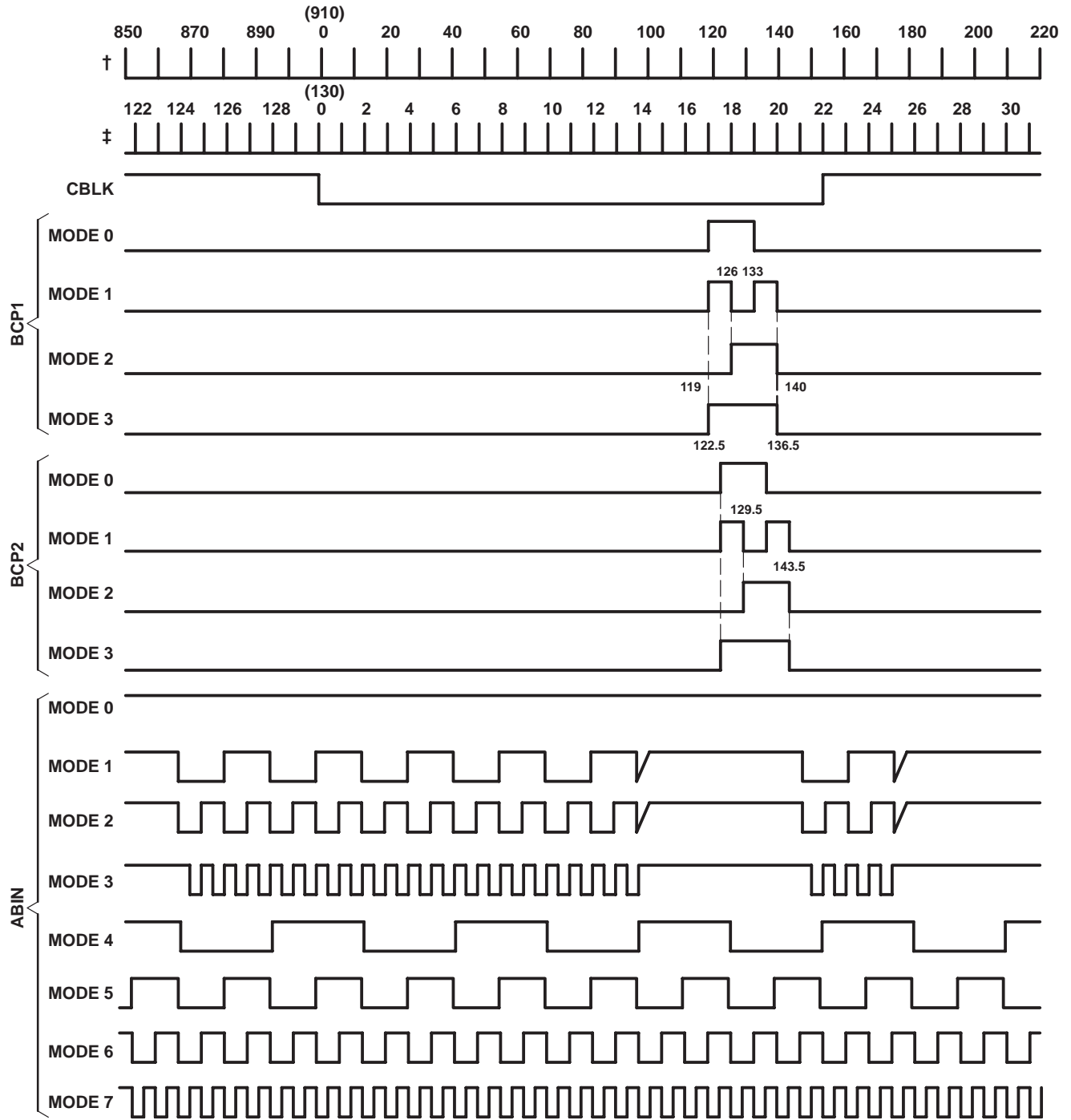


† 130 intervals equal 63.55  $\mu$ s equals one horizontal-scan line

Figure 3. Horizontal Timing

# TMS3471C 2/3-INCH NTSC TIMER

SOCS028B – AUGUST 1991

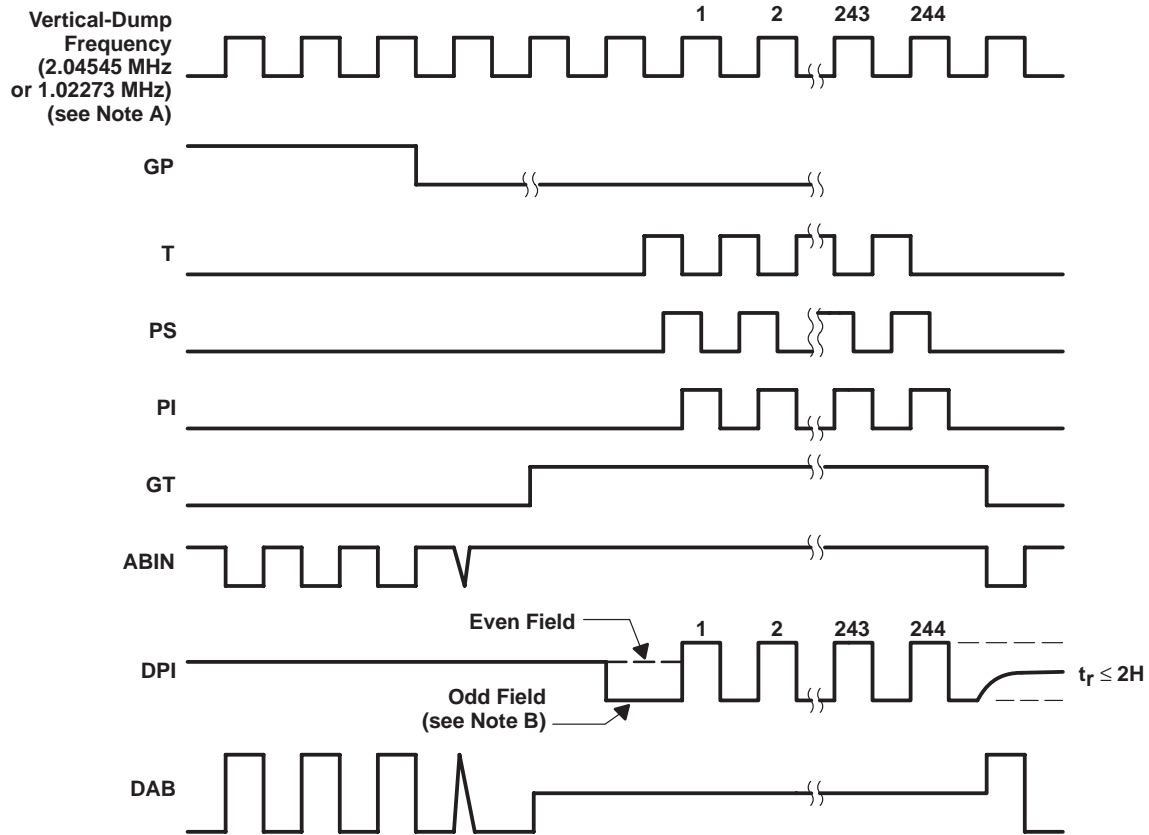


† 910 intervals equal 63.55  $\mu$ s equals one horizontal-scan line

‡ 130 intervals equal 63.55  $\mu$ s equals one horizontal-scan line

MODE	0	1	2	3	MODE	0	1	2	3	4	5	6	7
BCPS1	L	L	H	H	ABS2	L	L	L	L	H	H	H	H
BCPS0	L	H	L	H	ABS1	L	L	H	H	L	L	H	H
					ABS0	L	H	L	H	L	H	L	H

Figure 4. ABIN, BCP1, BCP2 Timing at the Start of H

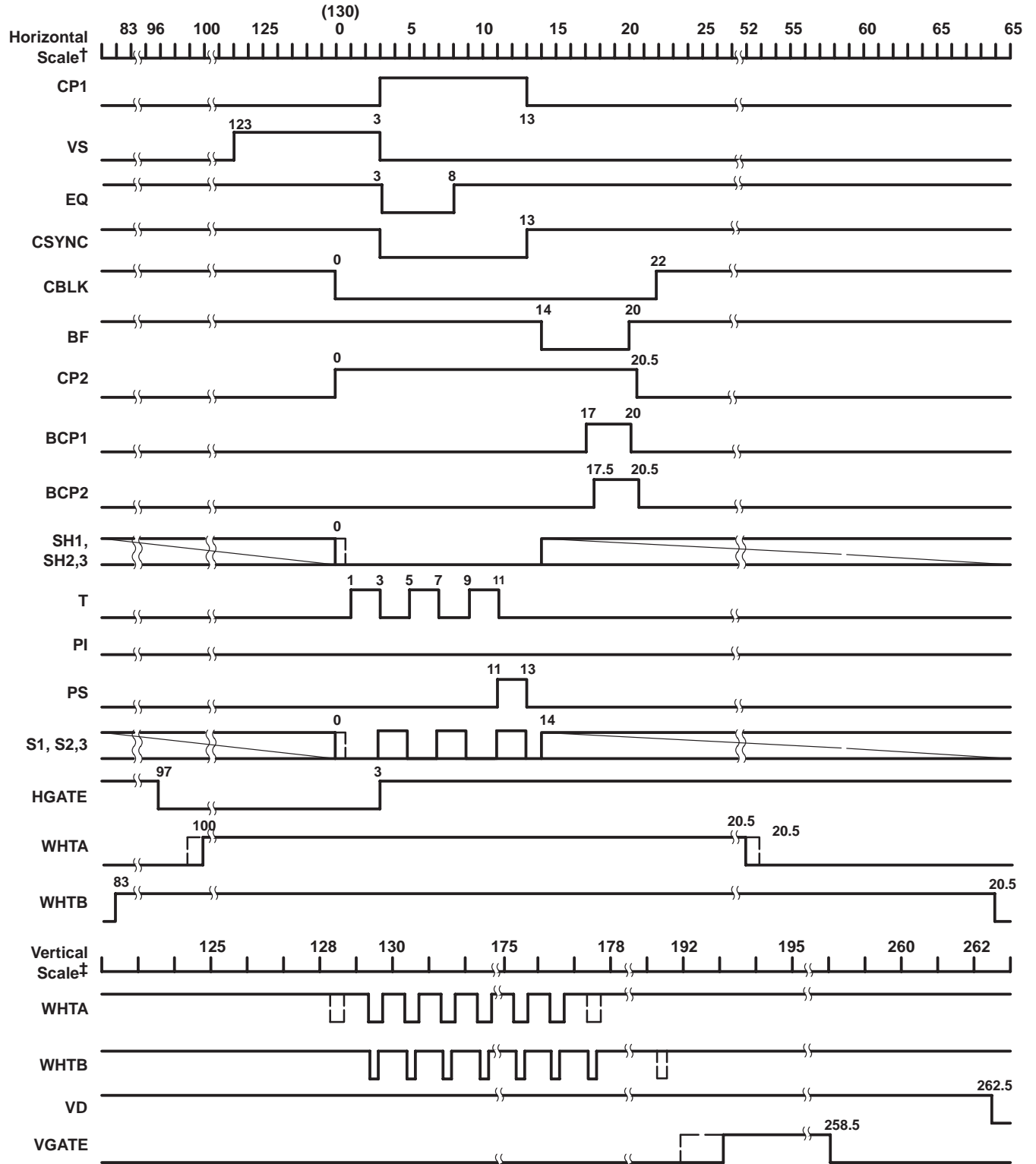


NOTES: A. When the vertical-dump frequency is 1.02273 MHz, PI, PS, and T have a 50% duty cycle.  
B. If  $I/N$  is low, the DPI waveform is always as shown for the odd-field case.

Figure 5. PI, PS, T, and ABIN Timing

# TMS3471C 2/3-INCH NTSC TIMER

SOCS028B – AUGUST 1991

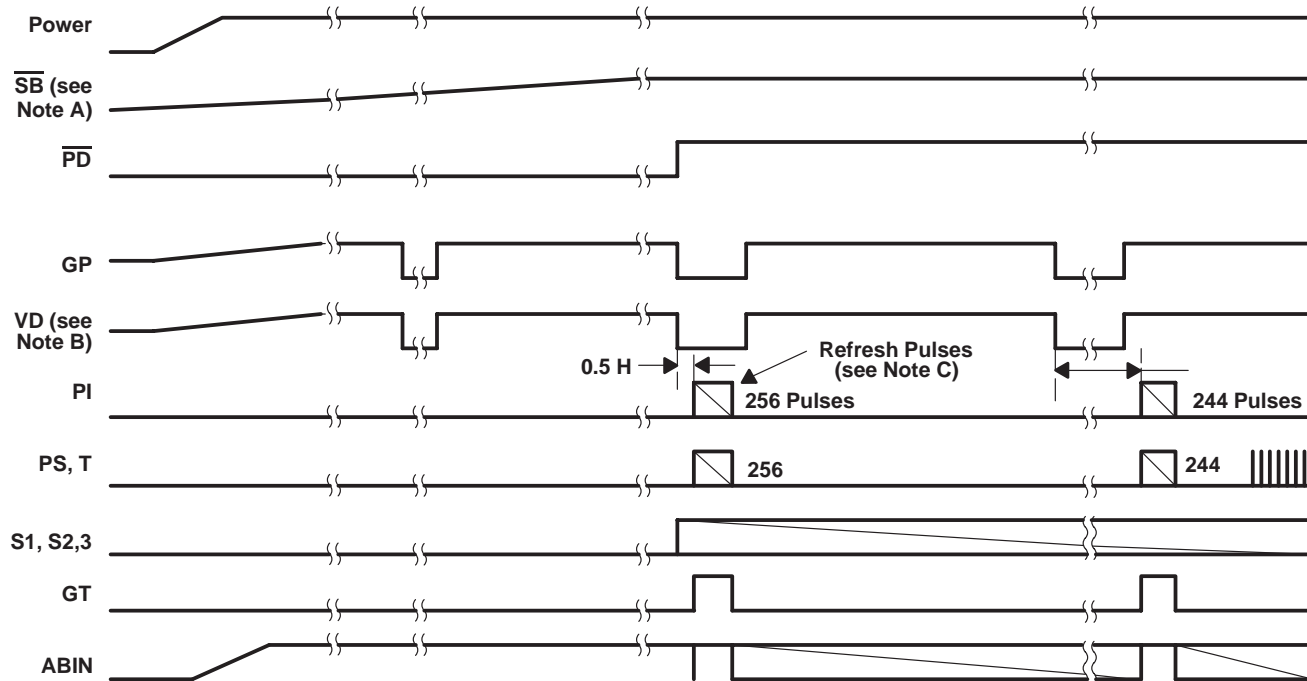


† 130 intervals equal 63.55  $\mu$ s equals one horizontal-scan line

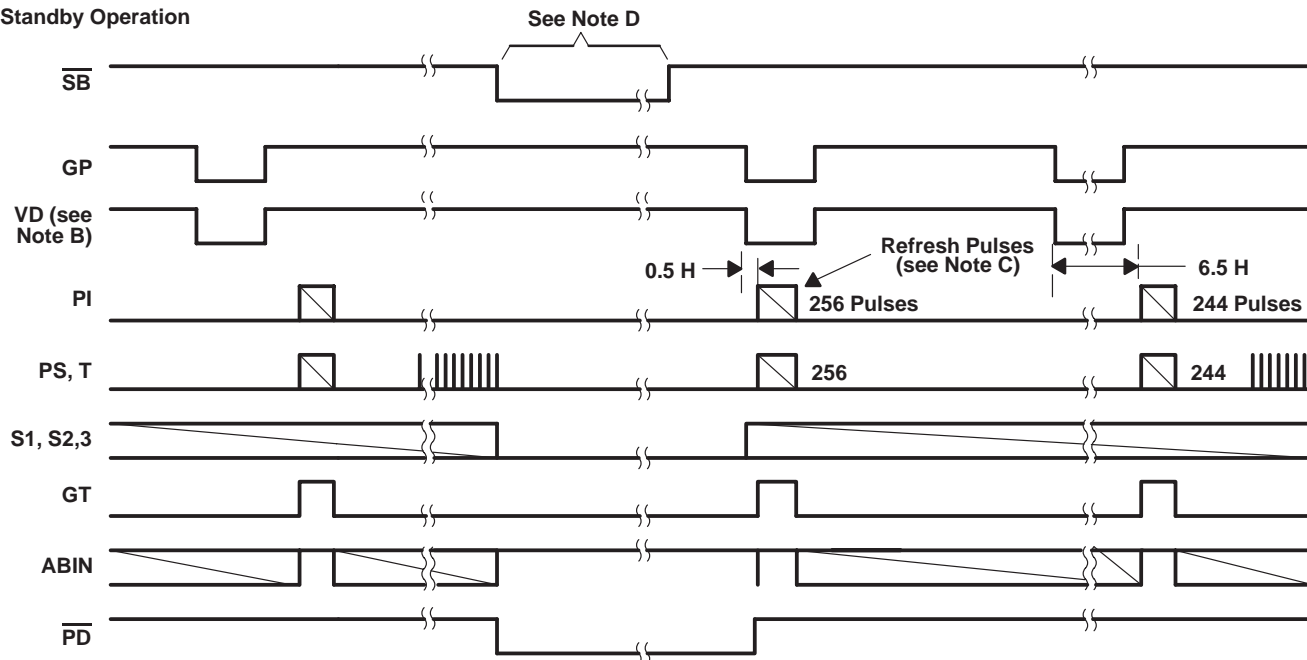
‡ 525 intervals equal 33.33 ms equals one TV frame

Figure 6. H Timing and WHTA, WHTB (V,H) Timing

Power-Up Operation



Standby Operation



- NOTES: A. A 0.1- $\mu$ F capacitor is connected between  $\overline{SB}$  and GND.  
 B. The VD output is fed back to GP.  
 C. The 256 CCD refresh pulses are generated on PI, PS, and T even if VD is not fed back to GP.  
 D. When  $\overline{SB}$  is low, PI, PS, T, S1, S2,3, GT, and PD are all low and ABIN is high.

Figure 7. Power-Up and Standby Timing

# TMS3471C 2/3-INCH NTSC TIMER

SOCS028B – AUGUST 1991

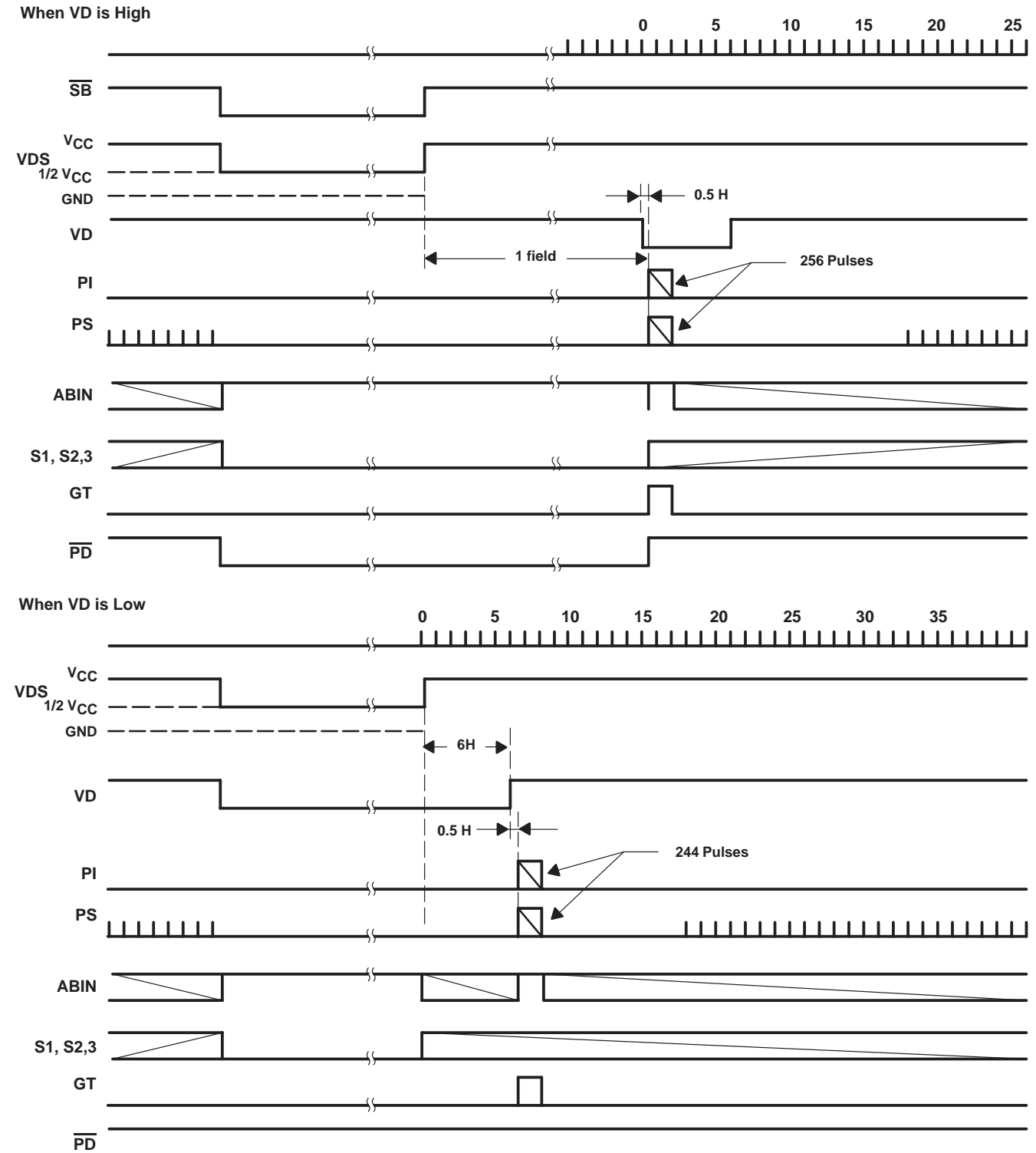
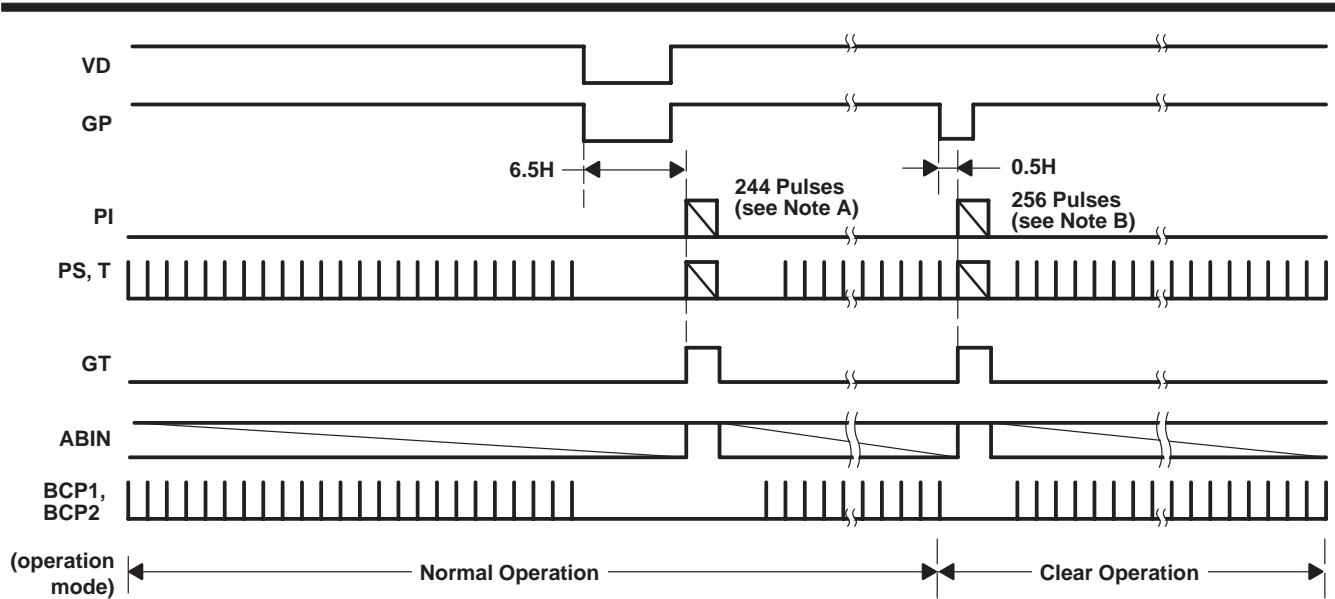


Figure 8. Timing for VDS in the Reset Mode



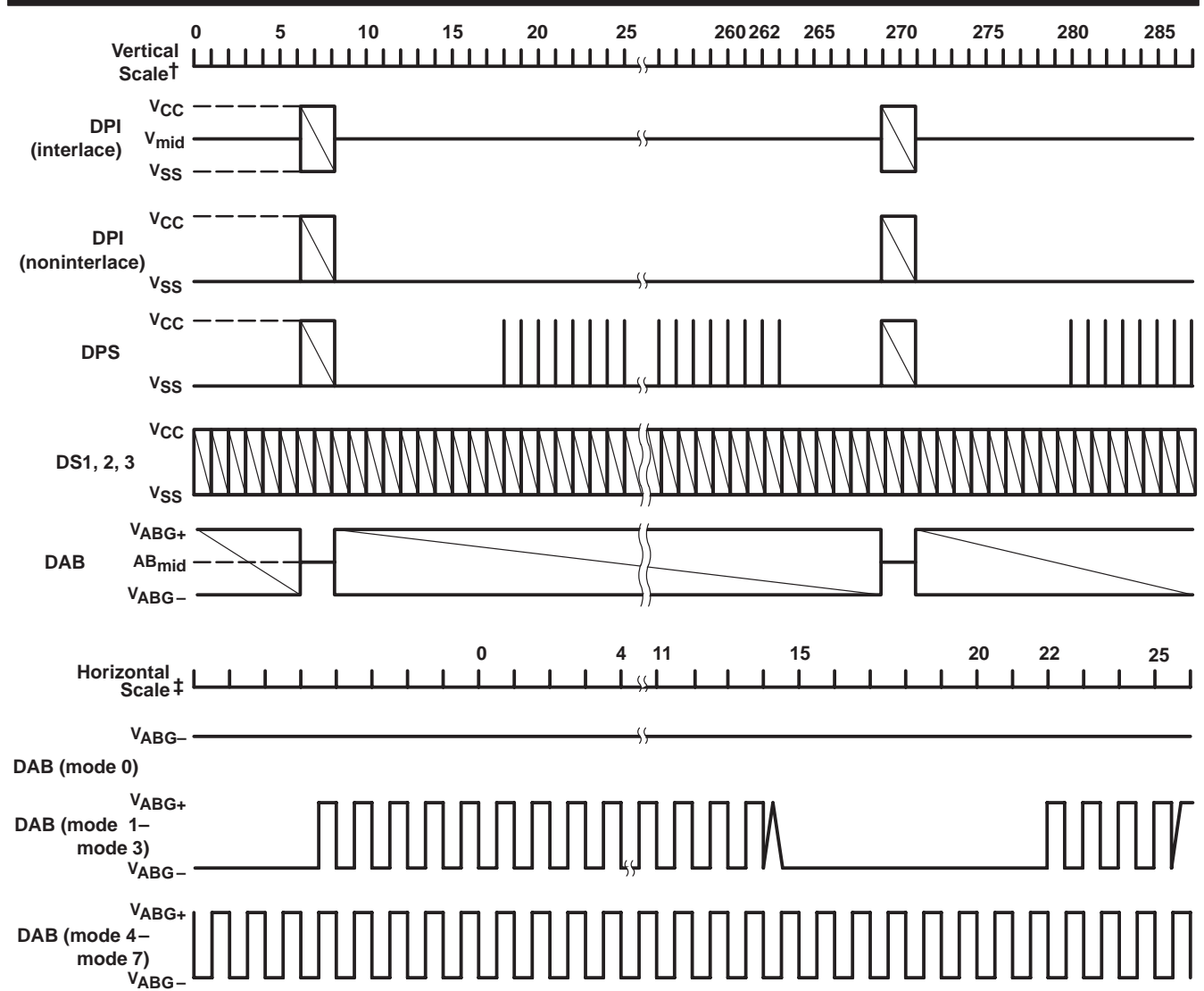
- NOTES: A. When VD is low and GP goes low, 244 pulses are generated on PI, PS, and T.  
 B. If VD is high and not fed back to GP, then pulsing GP results in 256 pulses being generated on PI, PS, and T. This can be useful in clearing the imager. An external logic circuit is used to pulse GP.

**Figure 9. GP Timing for Normal and Clear Modes**

# TMS3471C

## 2/3-INCH NTSC TIMER

SOCS028B – AUGUST 1991

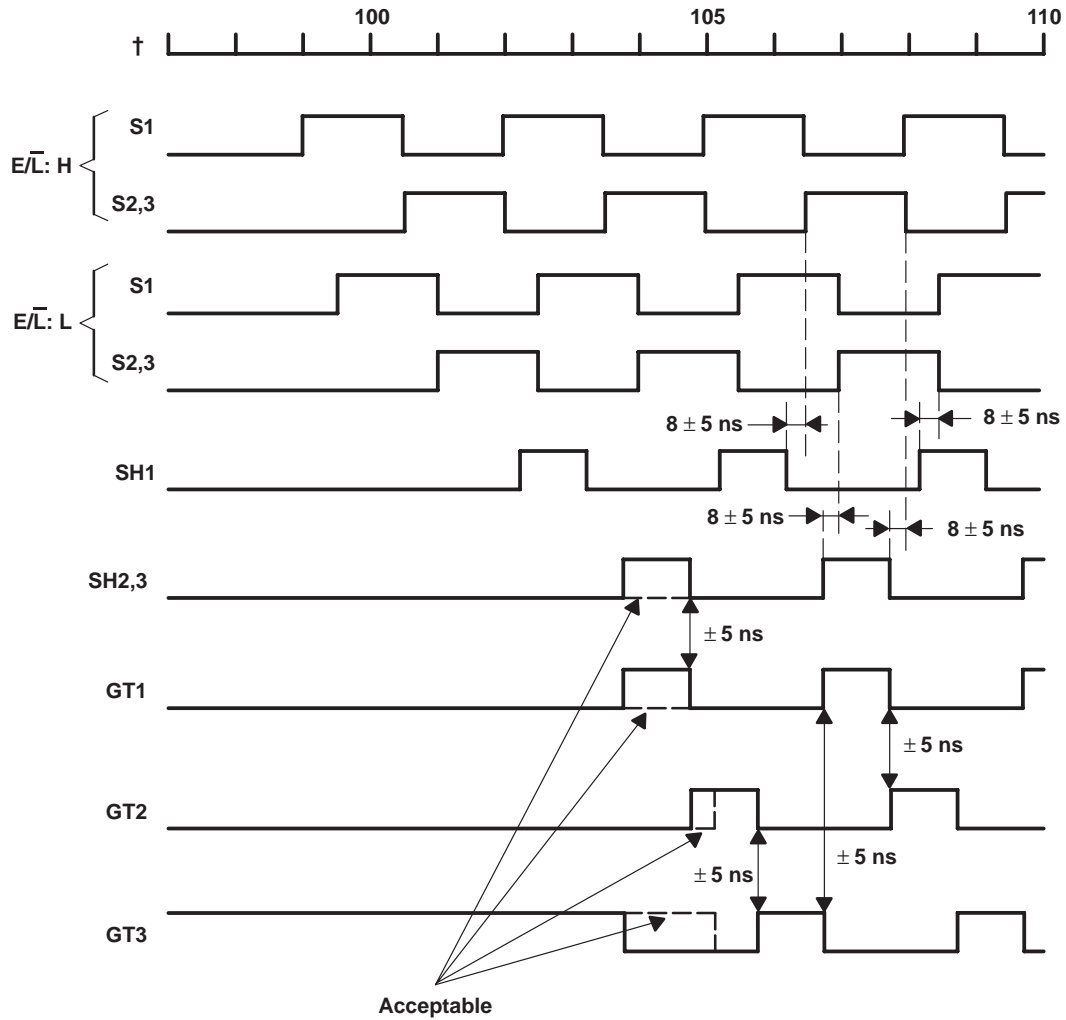


† 525 intervals equal 33.33 ms equals one TV frame

‡ 130 intervals equal 63.55  $\mu$ s equals one horizontal-scan line

**Figure 10. DPI, DPS, DS, and DAB Drive Timing**





† Each interval equals one master clock interval equals 69.84 ns.

Figure 11. S1, S2,3, SH1, SH2,3, and GTn Waveforms

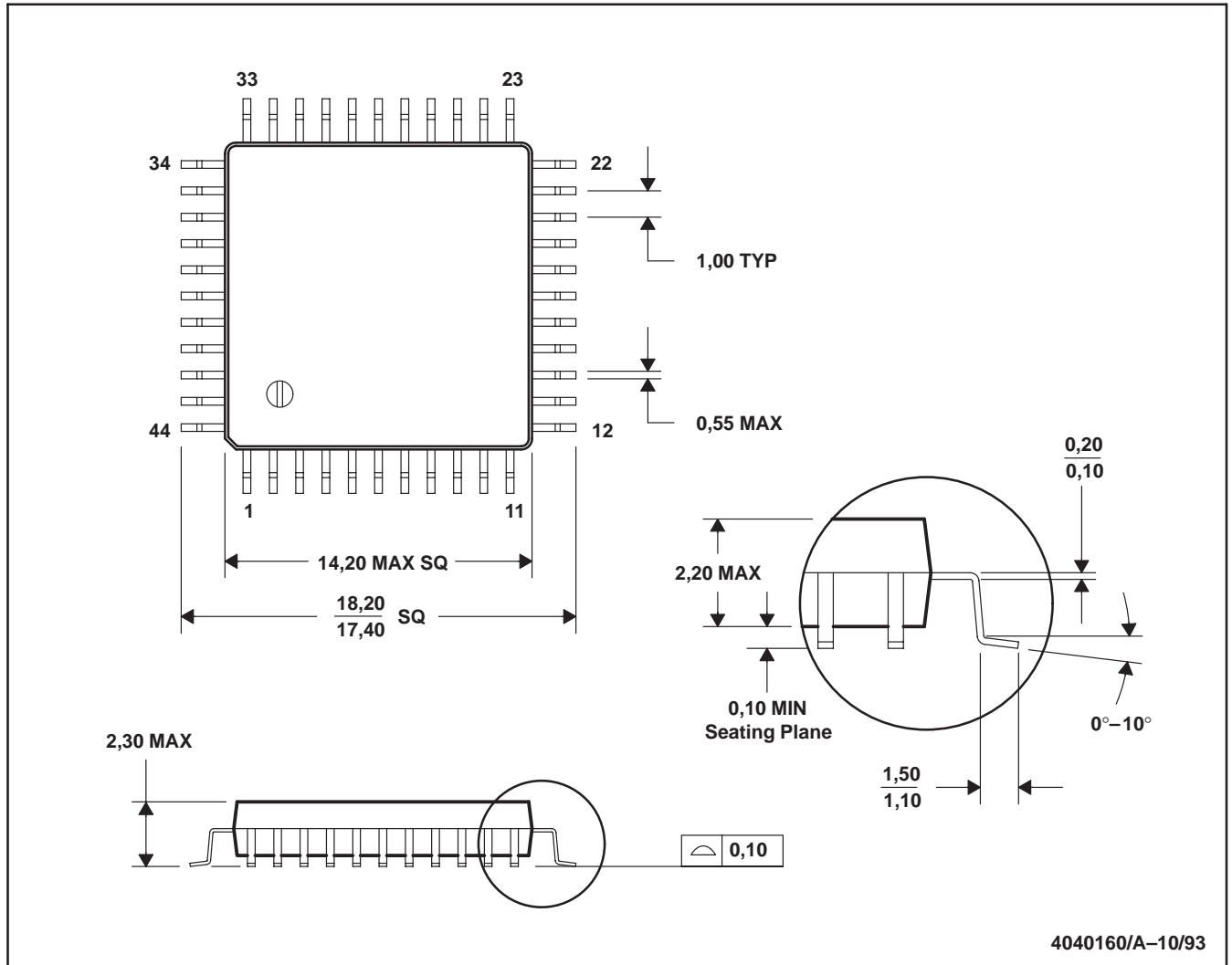
TMS3471C  
2/3-INCH NTSC TIMER

SOCS028B – AUGUST 1991

MECHANICAL DATA

FS/S-PQFP-G44

PLASTIC QUAD FLATPACK



NOTES: A. All linear dimensions are in millimeters.  
B. This drawing is subject to change without notice.

## **IMPORTANT NOTICE**

Texas Instruments and its subsidiaries (TI) reserve the right to make changes to their products or to discontinue any product or service without notice, and advise customers to obtain the latest version of relevant information to verify, before placing orders, that information being relied on is current and complete. All products are sold subject to the terms and conditions of sale supplied at the time of order acknowledgement, including those pertaining to warranty, patent infringement, and limitation of liability.

TI warrants performance of its semiconductor products to the specifications applicable at the time of sale in accordance with TI's standard warranty. Testing and other quality control techniques are utilized to the extent TI deems necessary to support this warranty. Specific testing of all parameters of each device is not necessarily performed, except those mandated by government requirements.

**CERTAIN APPLICATIONS USING SEMICONDUCTOR PRODUCTS MAY INVOLVE POTENTIAL RISKS OF DEATH, PERSONAL INJURY, OR SEVERE PROPERTY OR ENVIRONMENTAL DAMAGE ("CRITICAL APPLICATIONS"). TI SEMICONDUCTOR PRODUCTS ARE NOT DESIGNED, AUTHORIZED, OR WARRANTED TO BE SUITABLE FOR USE IN LIFE-SUPPORT DEVICES OR SYSTEMS OR OTHER CRITICAL APPLICATIONS. INCLUSION OF TI PRODUCTS IN SUCH APPLICATIONS IS UNDERSTOOD TO BE FULLY AT THE CUSTOMER'S RISK.**

In order to minimize risks associated with the customer's applications, adequate design and operating safeguards must be provided by the customer to minimize inherent or procedural hazards.

TI assumes no liability for applications assistance or customer product design. TI does not warrant or represent that any license, either express or implied, is granted under any patent right, copyright, mask work right, or other intellectual property right of TI covering or relating to any combination, machine, or process in which such semiconductor products or services might be or are used. TI's publication of information regarding any third party's products or services does not constitute TI's approval, warranty or endorsement thereof.