

# TOTAL POWER INT'L

## 36-72VDC INPUT RANGE DC-DC CONVERTER HOT-SWAP

### CompactPCI QUAD OUTPUT 250 WATTS ACTIVE CURRENT SHARING SWITCHING POWER SUPPLIES TPDC250P-48B SERIES



#### FEATURES:

- 250W 3U X 8HP EUROCARD PACKAGE
- 36-72VDC NOMINAL 48VDC INPUT
- INTERNAL OR-ING DIODES FOR N+1 REDUNDANCY
- HOT-SWAPPABLE
- THIRD-WIRE CURRENT SHARING
- EMI MEET EN 55022 / FCC CLASS B
- CE MARKING COMPLIANCE
- FULLY COMPLIANT WITH PICMG

#### SPECIFICATION

##### INPUT SPECIFICATION

**Input Voltage:** Typ. 36-72Vdc, nominal input 48Vdc.  
**Input Connector:** Positronic 47-pin PCIH47M400A1.  
**Inrush Current:** Typ. 20A @ nominal 48Vdc.  
**Input Current:** 6.6A @ nominal input 48Vdc.  
**Dielectric Withstand:** Meet IEC950 regulation.  
**EMI:** Meet EN55022 / FCC Class B.  
**Remote ON/OFF:** Available at [INH#] & [EN#] pins.  
**Power Fail Signal:** Available at [FAL#] pin.  
**Status LED:** <Green> means valid input voltage.  
 <Amber> means a critical fault.  
**Thermal Protection (OTP):** Installed NTC for thermal sensor at [DEG#] pin.  
**Overload Protection (OLP):** Fully protected against output overload or short circuit. Typical 120% max. load. Consult the factory for special OLP setting.  
**Over Current Protection (OCP):** Installed in each rail.

##### OUTPUT SPECIFICATION

**Output Voltage:** See Ratings Chart.  
**Output Current:** See Ratings Chart.  
**Output Wattage:** Typ. 250W continuous.  
**Output Connector:** Positronic 47-pin PCIH47M400A1.  
**Line Regulation:** Typ. 0.1%.  
**Load Regulation:** Typ.  $\pm 2.0\%$ .  
**Noise & Ripple:** Typ. 1% Pk.-Pk. or 50mV, which is greater.  
**OVP:** Built-in at all outputs.  
**Adjustability:** Available at VO1,2&3.  
**Output Trim:** Electrical trim available at VO1 & 2.[ADJ #].  
**Remote Sensing:** Available at VO1, VO2 & VO3.  
**Hot-Swap:** Available.  
**N+1 Redundancy:** Installed with internal OR-ing diodes at all outputs for N+1 redundancy operation.  
**Current Sharing:** Third-wire current sharing at VO1,2&3.  
**Power OK Signal:** Available for all outputs.

##### GENERAL SPECIFICATION

**Efficiency:** Typ. 79 %.  
**Switching Frequency:** 120K Hz.  
**Circuit Topology:** Forward circuit.  
**Transient Response:** Peak transient less than 100mV and recovers within 2mS for 25% load-change.  
**Safety Standard:** IEC60950.  
**Construction:** Eurocard 3U X 8HP X 160mm CompactPCI format. Front panel with either Ordinary handle or Extractor handle.  
**Operating Temperature:** 0 to +50 °C at full load with specified air flow. Derates linearly to 50% at +70°C.  
**Storage Temperature:** -40 to +85 °C.  
**Temperature Coefficient:** Typ.  $\pm 0.02\%$  / °C.  
**Cooling:** At least 16 cfm (500 lfm) moving air is required to achieve full rating power 250W in a confined area.  
**Power Density:** 4.58 Watts/ Cubic Inch.

Remark: All measurements are at nominal input, full load and +25°C unless otherwise specifications.

# OUTPUT VOLTAGE/CURRENT RATINGS CHART

## QUAD OUTPUT

MODEL NO.	MAIN +VO1 @★#≡○				AUX. +VO2 ▲@★#≡○				AUX. +VO3 ▲@★#≡○				AUX. -VO4 ●○■★=					
	Min.	Typ.	Volt.	Max.	Min.	Typ.	Volt.	Max.	Min.	Typ.	Volt.	Max.	Pk.	Min.	Typ.	Volt.	Max.	Pk.
TPDC250P-48B-490(E)	2.0A	25A	+5V	33A	0A	18A	+3.3V	33A	0A	5A	+12V	5.5A	6A	0A	0.5A	-12V	1A	1.5A
TPDC250P-48B-490(O)	2.0A	25A	+5V	33A	0A	18A	+3.3V	33A	0A	5A	+12V	5.5A	6A	0A	0.5A	-12V	1A	1.5A

Symbol: "★" OVP built-in. "@" Adjustable. "#" Remote sensing. "≡" 3rd wire Load Sharing. "○" Installed with Or-ing diode.

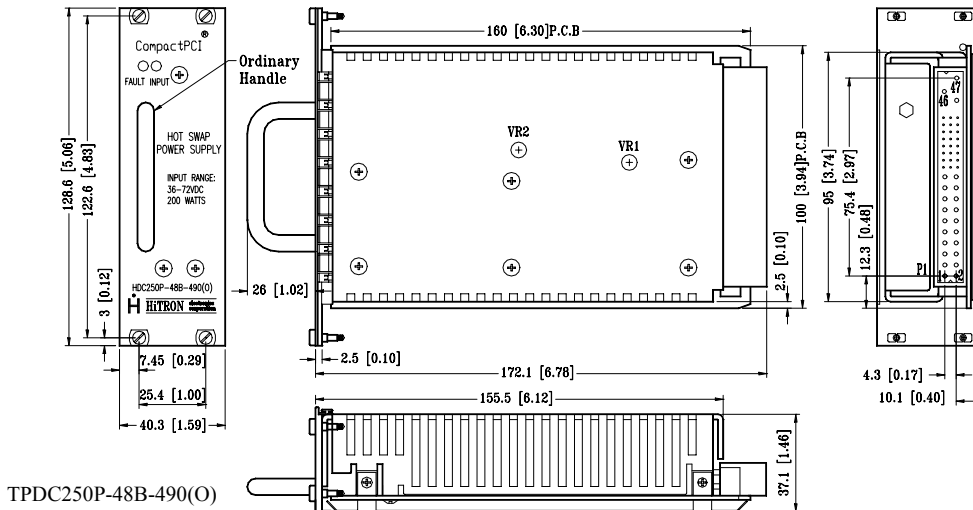
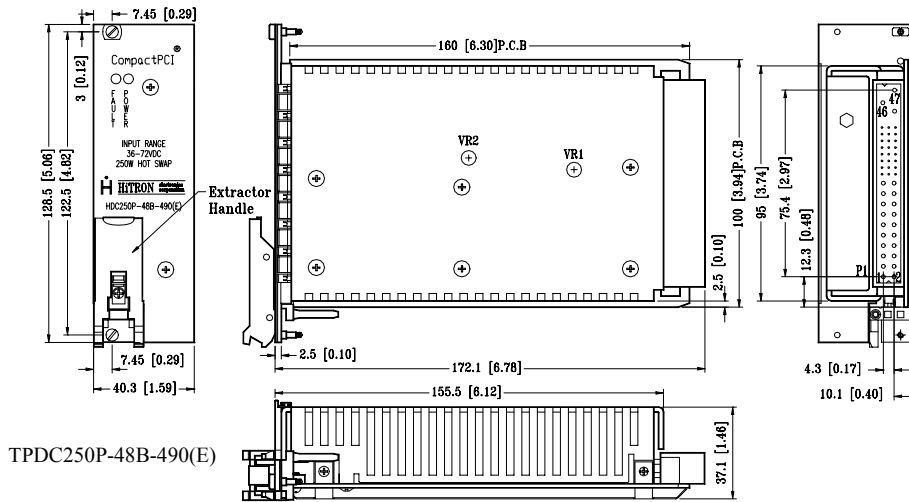
"▲" Magnetic Amplifier. "●" Installed with Post-regulator. "■" Common Choke.

Remark: Peak load less than 60sec. with duty cycle <10%.

Max. load is the continuous operating load of each rail. But the max. load of each rail can't be drawn from all outputs at the same time.

## MECHANICAL DIMENSIONS: MM [INCHES]

WEIGHT: 666.0 g (23.5 Oz.)



## INPUT & OUTPUT CONNECTORS PIN ASSIGNMENT

ASSIGNMENT	DC INPUT			QUAD OUTPUT												STATUS/CONTROL					
	-Vin	+Vin	G	VO1	S+	S-	Adj.	C.S.	VO2	S+	Adj.	C.S.	VO3	S+	C.S.	VO4	DC COM	EN#	DEG#	INH#	FAL#
CNTR & PIN #	47	46	45	1,2,3,4	30	34	29	35	13,14,15,16,17,18	33	32	41	20	36	44	21	5,6,7,8,9,10,11,12,19,22,24	27	38	39	42

Mating connector: PCIH47F400A1.