



DUAL WIDE BAND OPERATIONAL AMPLIFIER FOR ADSL LINE INTERFACE

- LOW NOISE : 3.2nV/√Hz, 1.5pA/√Hz
- HIGH OUTPUT CURRENT : 160mA min.
- VERY LOW HARMONIC AND INTERMODULATION DISTORTION
- HIGH SLEW RATE : 40V/μs
- SPECIFIED FOR 25Ω LOAD

DESCRIPTION

This device is particularly intended for applications where multiple carriers must be amplified simultaneously with very low intermodulation products. It has been mainly designed to fit with ADSL chip-set such as ST70134 or ST70135.

The TS635 is a high output current dual operational amplifier, with a large gain-bandwidth product (130MHz) and capable of driving a 25Ω load at 12V power supply. The TS635 is fitted out with Power Down function in order to decrease the consumption.

The TS635 is housed in a SO8 plastic package and a SO8 Exposed-Pad plastic package.

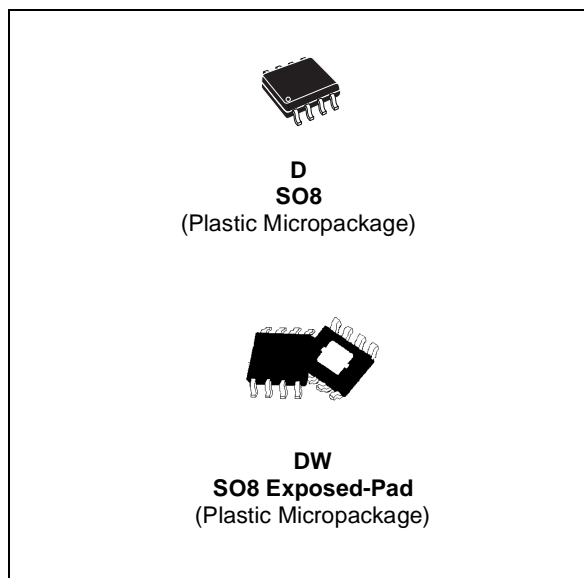
APPLICATION

- UPSTREAM line driver for Asymmetric Digital Subscriber Line (ADSL) (NT).

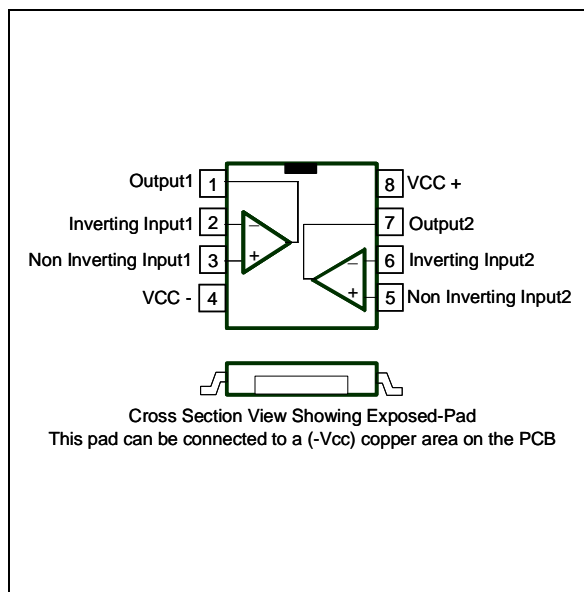
ORDER CODE

Part Number	Temperature Range	Package	
		D	DW
TS635ID	-40, +85°C	•	
TS635IDW	-40, +85°C		•

D = Small Outline Package (SO) - also available in Tape & Reel (DT)
 DW = Small Outline Package in Exposed-Pad (SO) - also available in Tape & Reel (DWT)



PIN CONNECTIONS (top view)



ABSOLUTE MAXIMUM RATINGS

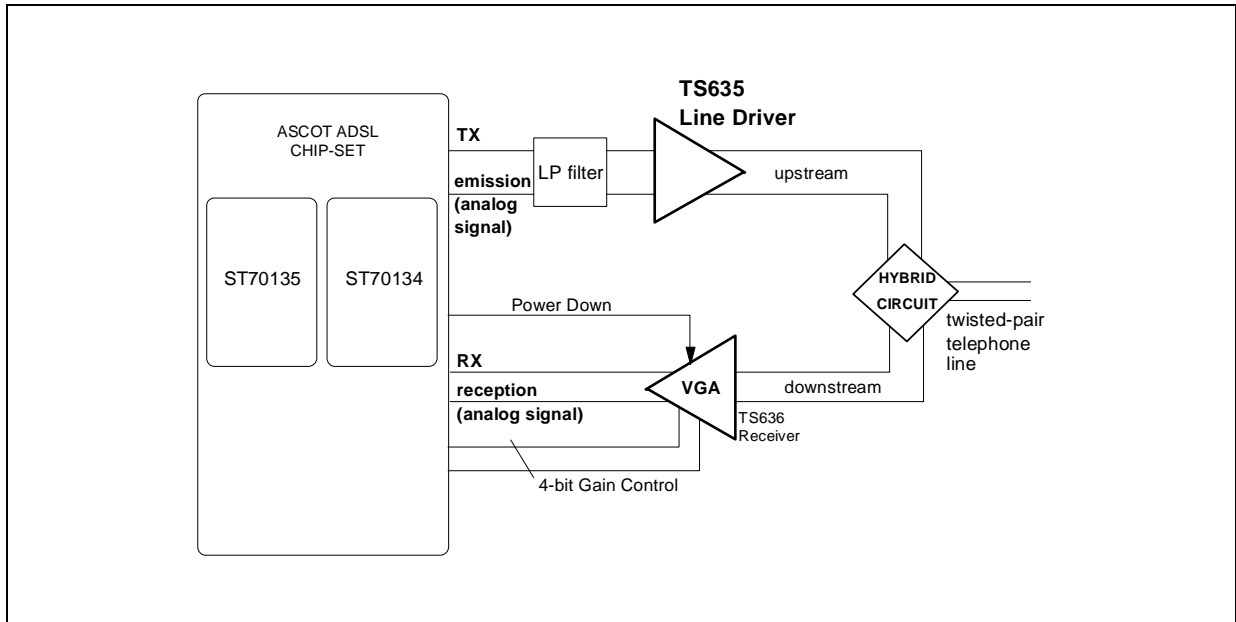
Symbol	Parameter	Value	Unit
V_{CC}	Supply voltage ¹⁾	± 7	V
V_{id}	Differential Input Voltage ²⁾	± 2	V
V_{in}	Input Voltage Range ³⁾	± 6	V
T_{oper}	Operating Free Air Temperature Range TS635ID	-40 to + 85	°C
T_{std}	Storage Temperature	-65 to +150	°C
T_j	Maximum Junction Temperature	150	°C
SO8			
R_{thjc}	Thermal Resistance Junction to Case	28	°C/W
R_{thja}	Thermal Resistance Junction to Ambient Area	175	°C/W
$P_{max.}$	Maximum Power Dissipation (@25°C)	715	mW
SO8 Exposed-Pad			
R_{thjc}	Thermal Resistance Junction to Case	16	°C/W
R_{thja}	Thermal Resistance Junction to Ambient Area	60	°C/W
$P_{max.}$	Maximum Power Dissipation (@25°C)	2000	mW

1. All voltages values, except differential voltage are with respect to network terminal.
2. Differential voltages are non-inverting input terminal with respect to the inverting input terminal.
3. The magnitude of input and output voltages must never exceed $V_{CC} + 0.3V$.

OPERATING CONDITIONS

Symbol	Parameter	Value	Unit
V_{CC}	Supply Voltage	± 2.5 to ± 6	V
V_{icm}	Common Mode Input Voltage	$(V_{CC}) + 2$ to $(V_{CC}^+) - 1$	V

APPLICATION: ADSL LINE INTERFACE



ELECTRICAL CHARACTERISTICS. $V_{CC} = \pm 6V$, $T_{amb} = 25^{\circ}C$ (unless otherwise specified).

Symbol	Parameter	Test Condition	Min.	Typ.	Max	Unit
DC PERFORMANCE						
ΔV_{io}	Differential Input Offset Voltage	$T_{amb} = 25^{\circ}C$			6	mV
I_{io}	Input Offset Current	T_{amb}		0.2	3	μA
		$T_{min.} < T_{amb} < T_{max.}$			5	
I_{ib}	Input Bias Current	T_{amb}		5	15	μA
		$T_{min.} < T_{amb} < T_{max.}$			30	
CMR	Common Mode Rejection Ratio	$V_{ic} = 2V$ to $2V$, T_{amb}	90	108		dB
		$T_{min.} < T_{amb} < T_{max.}$	70			
SVR	Supply Voltage Rejection Ratio	$V_{ic} = \pm 6V$ to $\pm 4V$, T_{amb}	70	88		dB
		$T_{min.} < T_{amb} < T_{max.}$	50			
I_{CC}	Total Supply Current per Operator	No load, $V_{out} = 0$		11	15	mA
DYNAMIC PERFORMANCE						
V_{OH}	High Level Output Voltage	$I_{out} = 160mA$, R_L to GND	4	4.5		V
V_{OL}	Low Level Output Voltage	$I_{out} = 160mA$, R_L to GND		-4.5	-4	V
A_{VD}	Large Signal Voltage Gain	$V_{out} = 7V$ peak $R_L = 25\Omega$, T_{amb}	6500	11000		V/V
		$T_{min.} < T_{amb} < T_{max.}$	5000			
GBP	Gain Bandwidth Product	$A_{VCL} = +7$, $f = 20MHz$ $R_L = 100\Omega$		130		MHz
SR	Slew Rate	$A_{VCL} = +7$, $R_L = 50\Omega$	23	40		V/ μs
I_{out}	Output Short Circuit Current			± 240		mA
I_{sink} I_{source}	Output Current	$V_{id} = \pm 1V$, T_{amb}	± 160			mA
		$T_{min.} < T_{amb} < T_{max.}$	± 140			
ΦM_{14}	Phase Margin at $A_{VCL} = 14dB$	$R_L = 25\Omega//15pF$		60		$^{\circ}$
ΦM_6	Phase Margin at $A_{VCL} = 6dB$	$R_L = 25\Omega//15pF$		40		$^{\circ}$
NOISE AND DISTORTION						
e_n	Equivalent Input Noise Voltage	$f = 100kHz$		3.2		nV/ \sqrt{Hz}
i_n	Equivalent Input Noise Current	$f = 100kHz$		1.5		pA/ \sqrt{Hz}
THD	Total Harmonic Distorsion	$V_{out} = 4V_{pp}$, $f = 100kHz$ $A_{VCL} = -10$ $R_L = 25\Omega//15pF$		-69		dB
IM2 ₋₁₀	2nd Order Intermodulation Product	$F1 = 80kHz$, $F2 = 70kHz$ $V_{out} = 8V_{pp}$, $A_{VCL} = -10$ Load = $25\Omega//15pF$		-77		dBc
IM3 ₋₁₀	3rd Order Intermodulation Product	$F1 = 80kHz$, $F2 = 70kHz$ $V_{out} = 8V_{pp}$, $A_{VCL} = -10$ Load = $25\Omega//15pF$		-77		dBc

INTERMODULATION DISTORTION

The curves shown below are the measurements results of a single operator wired as an adder with a gain of 15dB.

The operational amplifier is supplied by a symmetric $\pm 6V$ and is loaded with 25Ω .

Two synthesizers (Rhode & Schwartz SME) generate two frequencies (tones) (70 & 80kHz ; 180 & 280kHz).

An HP3585 spectrum analyzer measures the spurious level at different frequencies.

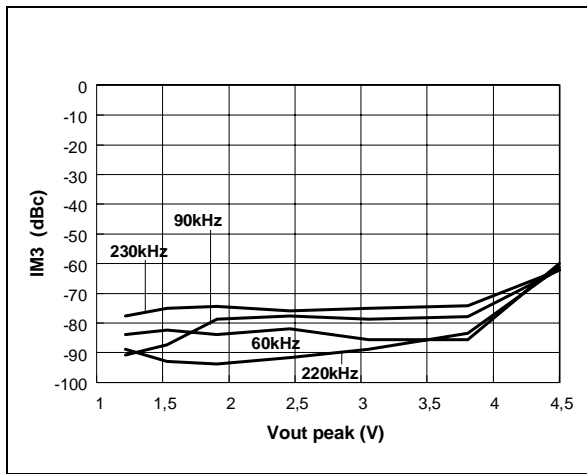
The curves are traced for different output levels (the value in the X ax is the value of each tone).

The output levels of the two tones are the same.

The generators and spectrum analyzer are phase locked to enhance measurement precision.

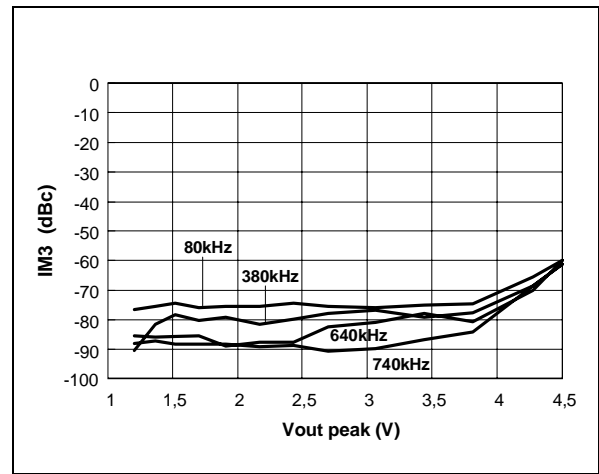
3rd ORDER INTERMODULATION

Gain=15dB, $V_{cc}=\pm 6V$, $R_L=25\Omega$, 2 tones 70kHz/80kHz



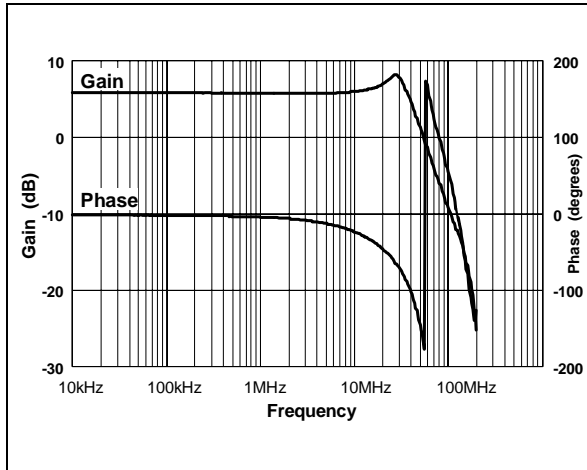
3rd ORDER INTERMODULATION

Gain=15dB, $V_{cc}=\pm 6V$, $R_L=25\Omega$, 2 tones 180kHz/280kHz



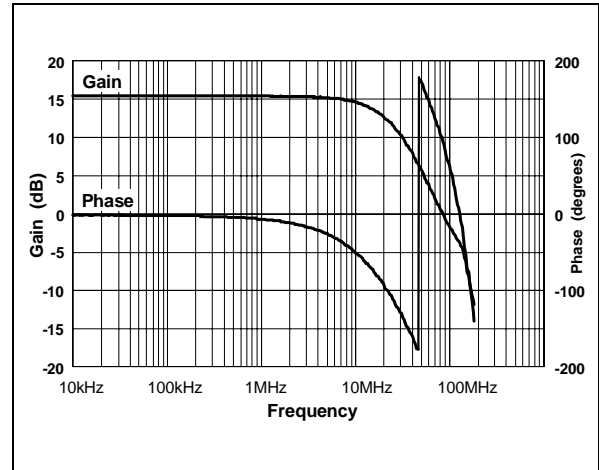
Closed Loop Gain and Phase vs. Frequency

Gain=+2, $V_{cc}=\pm 6V$, $R_L=25\Omega$



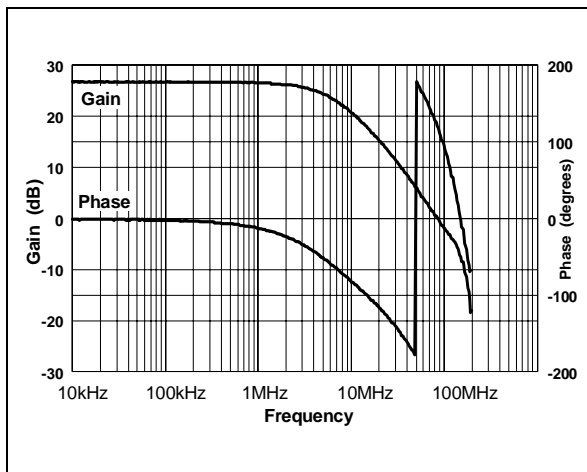
Closed Loop Gain and Phase vs. Frequency

Gain=+6, $V_{cc}=\pm 6V$, $R_L=25\Omega$



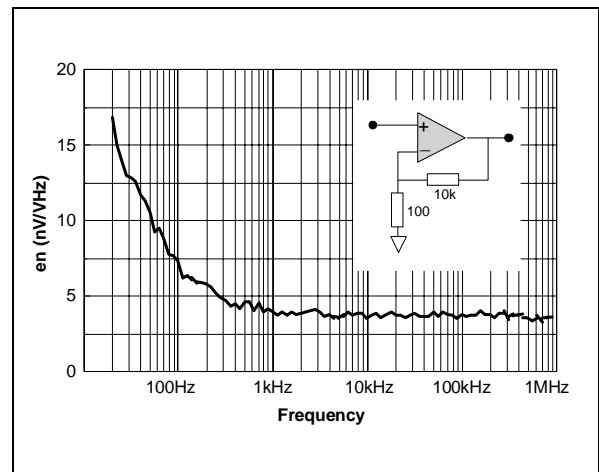
Closed Loop Gain and Phase vs. Frequency

Gain=+11, $V_{cc}=\pm 6V$, $R_L=25\Omega$



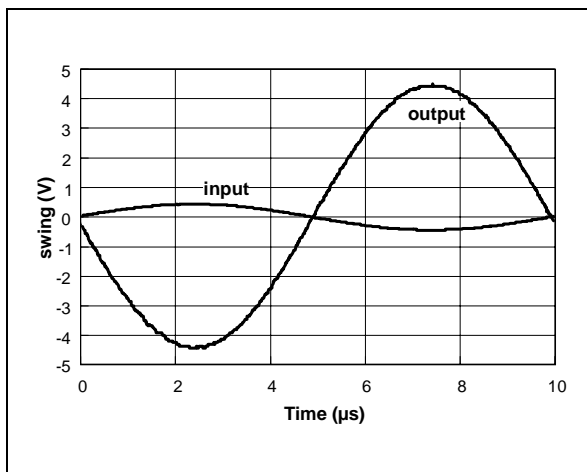
Equivalent Input Voltage Noise

Gain=+100, $V_{cc}=\pm 6V$, no load



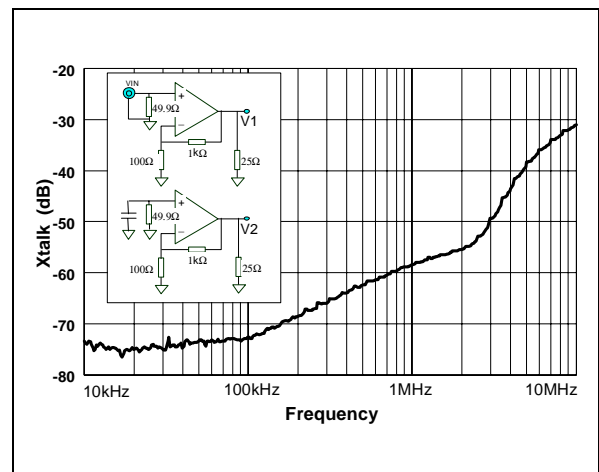
Maximum Output Swing

$V_{cc}=\pm 6V$, $R_L=25\Omega$



Channel Separation (Xtalk) vs. Frequency

$XTalk=20\log(V2/V1)$, $V_{cc}=\pm 6V$, $R_L=25\Omega$

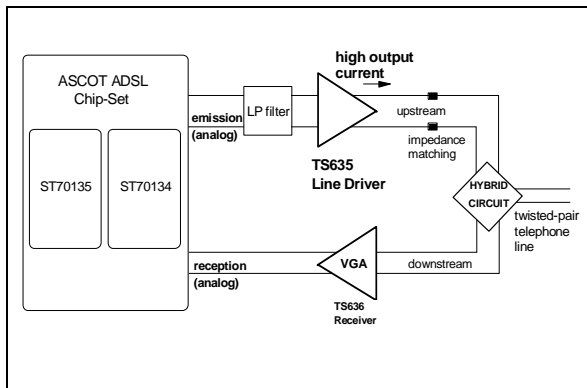


THE TS635 AS LINE DRIVER ON ADSL LINE INTERFACE. SINGLE SUPPLY IMPLEMENTATION WITH PASSIVE OR ACTIVE IMPEDANCE MATCHING.

THE LINE INTERFACE - ADSL Remote Terminal (RT):

The Figure1 shows a typical analog line interface used for ADSL service. On this note, the accent will be made on the emission path. The TS635 is used as a dual line driver for the upstream signal.

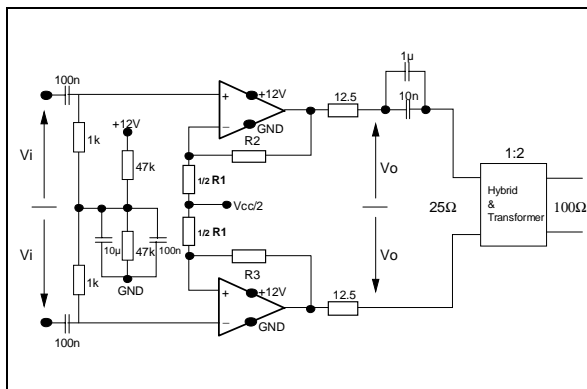
Figure 1 : Typical ADSL Line Interface



For the remote terminal it is required to create an ADSL modem easy to plug in a PC. In such an application, the driver should be implemented with a +12 volts single power supply. This +12V supply is available on PCI connector of purchase.

The Figure 2 shows a single +12V supply circuit that uses the TS635 as a remote terminal transmitter in differential mode.

Figure 2 : TS635 as a differential line driver with a +12V single supply



The driver is biased with a mid supply (nominally +6V), in order to maintain the DC component of the signal at +6V. This allows the maximum dynamic

range between 0 and +12 V. Several options are possible to provide this bias supply (such as a virtual ground using an operational amplifier), such as a two-resistance divider which is the cheapest solution. A high resistance value is required to limit the current consumption. On the other hand, the current must be high enough to bias the inverting input of the TS635. If we consider this bias current (5μA) as the 1% of the current through the resistance divider (500μA) to keep a stable mid supply, two 47kΩ resistances can be used.

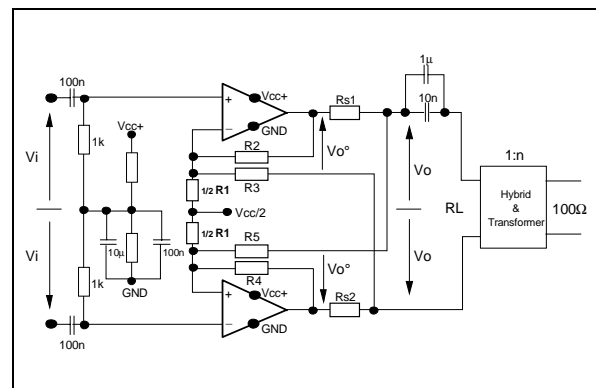
The input provides two high pass filters with a break frequency of about 1.6kHz which is necessary to remove the DC component of the input signal. To avoid DC current flowing in the primary of the transformer, an output capacitor is used. In this case the load impedance is 25Ω for each driver.

For the ADSL upstream path necessary to avoid any distortion. In this simple non-inverting amplification configuration, it will be easy to implement a Sallen-Key lowpass filter by using the TS635. For ADSL over POTS, a maximum frequency of 135kHz is reached. For ADSL over ISDN, the maximum frequency will be 276kHz.

INCREASING THE LINE LEVEL BY USING AN ACTIVE IMPEDANCE MATCHING

With passive matching, the output signal amplitude of the driver must be twice the amplitude on the load. To go beyond this limitation an active matching impedance can be used. With this technique it is possible to keep good impedance matching with an amplitude on the load higher than the half of the output driver amplitude. This concept is shown in Figure 3 for a differential line.

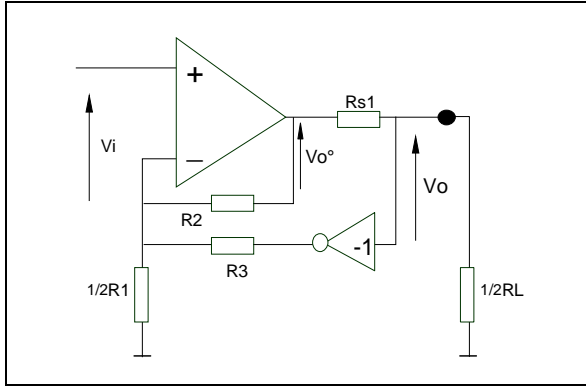
Figure 3 : TS635 as a differential line driver with an active impedance matching



Component calculation:

Let us consider the equivalent circuit for a single ended configuration, Figure 4.

Figure 4 : Single ended equivalent circuit



Let us consider the unloaded system. Assuming the currents through R1, R2 and R3 as respectively:

$$\frac{2Vi}{R1}, \frac{(Vi - Vo^\circ)}{R2} \text{ and } \frac{(Vi + Vo)}{R3}$$

As Vo° equals Vo without load, the gain in this case becomes :

$$G = \frac{Vo(\text{no load})}{Vi} = \frac{1 + \frac{2R2}{R1} + \frac{R2}{R3}}{1 - \frac{R2}{R3}}$$

The gain, for the loaded system will be (1):

$$GL = \frac{Vo(\text{with load})}{Vi} = \frac{1}{2} \frac{1 + \frac{2R2}{R1} + \frac{R2}{R3}}{1 - \frac{R2}{R3}}, (1)$$

As shown in Figure 5, this system is an ideal generator with a synthesized impedance as the internal impedance of the system. From this, the output voltage becomes:

$$Vo = (ViG) - (RoIout), (2)$$

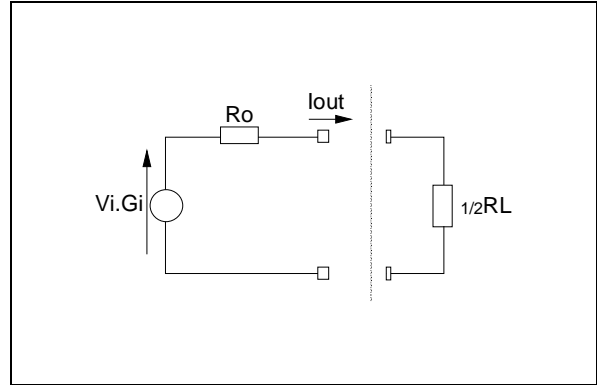
with Ro the synthesized impedance and Iout the output current. On the other hand Vo can be expressed as:

$$Vo = \frac{Vi \left(1 + \frac{2R2}{R1} + \frac{R2}{R3} \right)}{1 - \frac{R2}{R3}} - \frac{Rs1 Iout}{1 - \frac{R2}{R3}}, (3)$$

By identification of both equations (2) and (3), the synthesized impedance is, with Rs1=Rs2=Rs:

$$Ro = \frac{Rs}{1 - \frac{R2}{R3}}, (4)$$

Figure 5 : Equivalent schematic. Ro is the synthesized impedance



Unlike the level Vo° required for a passive impedance, Vo° will be smaller than 2Vo in our case. Let us write Vo°=kVo with k the matching factor varying between 1 and 2. Assuming that the current through R3 is negligible, it comes the following resistance divider:

$$Ro = \frac{kVoRL}{RL + 2Rs1}$$

After choosing the k factor, Rs will equal to 1/2RL(k-1).

A good impedance matching assumes:

$$Ro = \frac{1}{2}RL, (5)$$

From (4) and (5) it becomes:

$$\frac{R2}{R3} = 1 - \frac{2Rs}{RL}, (6)$$

By fixing an arbitrary value for R2, (6) gives:

$$R3 = \frac{R2}{1 - \frac{2Rs}{RL}}$$

Finally, the values of R2 and R3 allow us to extract R1 from (1), and it comes:

$$R1 = \frac{2R2}{2 \left(1 - \frac{R2}{R3} \right) GL - 1 - \frac{R2}{R3}}, (7)$$

with GL the required gain.

GL (gain for the loaded system)	GL is fixed for the application requirements GL=Vo/Vi=0.5(1+2R2/R1+R2/R3)/(1-R2/R3)
R1	2R2/[2(1-R2/R3)GL-1-R2/R3]
R2 (=R4)	Arbitrary fixed
R3 (=R5)	R2/(1-Rs/0.5RL)
Rs	0.5RL(k-1)

CAPABILITIES

The table below shows the calculated components for different values of k. In this case R2=1000Ω and the gain=16dB. The last column displays the maximum amplitude level on the line regarding the TS635 maximum output capabilities (18Vpp diff.) and a 1:2 line transformer ratio.

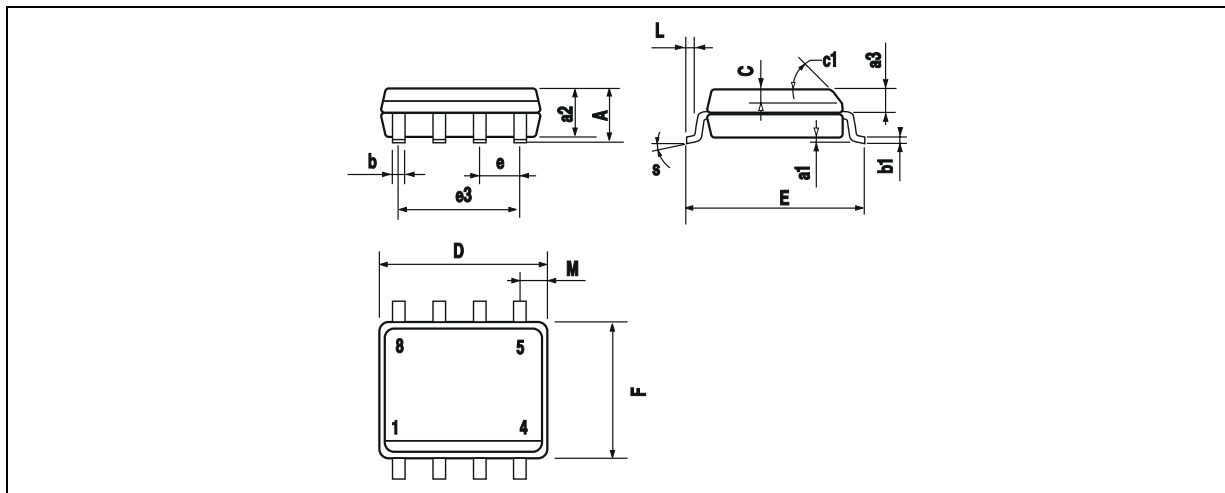
Active matching					
k	R1 (Ω)	R3 (Ω)	Rs (Ω)	TS635 Output Level to get 12.4Vpp on the line (Vpp diff)	Maximum Line level (Vpp diff)
1.3	820	1500	3.9	8	27.5
1.4	490	1600	5.1	8.7	25.7
1.5	360	2200	6.2	9.3	25.3
1.6	270	2400	7.5	9.9	23.7
1.7	240	3300	9.1	10.5	22.3
Passive matching				12.4	18

MEASUREMENT OF THE POWER CONSUMPTION

Conditions:

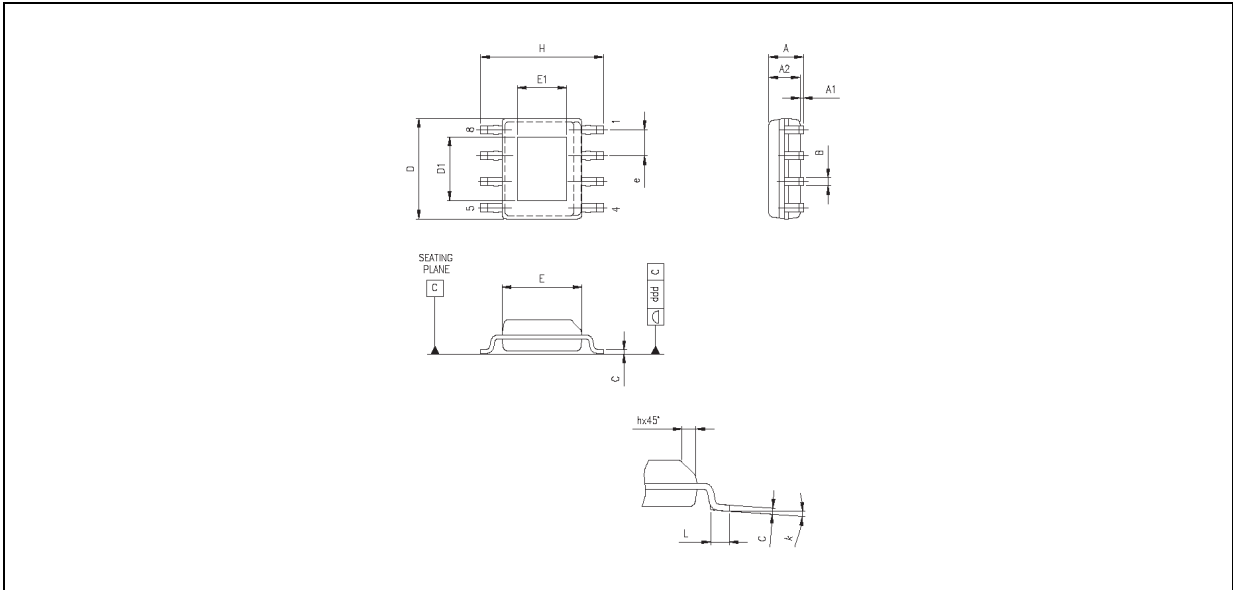
- Power Supply: 12V
- Passive impedance matching
- Transformer turns ratio: 2
- Maximum level required on the line: 12.4Vpp
- Maximum output level of the driver: 12.4Vpp
- Crest factor: 5.3 (Vp/Vrms)
- The TS635 power consumption during emission on 900 and 4550 meter twisted pair telephone lines: **360mW**

PACKAGE MECHANICAL DATA
8 PINS - PLASTIC MICROPACKAGE (SO)



Dim.	Millimeters			Inches		
	Min.	Typ.	Max.	Min.	Typ.	Max.
A			1.75			0.069
a1	0.1		0.25	0.004		0.010
a2			1.65			0.065
a3	0.65		0.85	0.026		0.033
b	0.35		0.48	0.014		0.019
b1	0.19		0.25	0.007		0.010
C	0.25		0.5	0.010		0.020
c1	45° (typ.)					
D	4.8		5.0	0.189		0.197
E	5.8		6.2	0.228		0.244
e		1.27			0.050	
e3		3.81			0.150	
F	3.8		4.0	0.150		0.157
L	0.4		1.27	0.016		0.050
M			0.6			0.024
S	8° (max.)					

PACKAGE MECHANICAL DATA
8 PINS - PLASTIC MICROPACKAGE (SO Exposed-Pad)



Dim.	Millimeters			Inches		
	Min.	Typ.	Max.	Min.	Typ.	Max.
A	1.350		1.750	0.053		0.069
A1	0.000		0.250	0.001		0.010
A2	1.100		1.650	0.043		0.065
B	0.330		0.510	0.013		0.020
C	0.190		0.250	0.007		0.010
D	4.800		5.000	0.189		0.197
E	3.800		4.000	0.150		0.157
e	1.270			0.050		
H	5.800		6.200	0.228		0.244
h	0.250		0.500	0.010		0.020
L	0.400		1.270	0.016		0.050
k	0d		8d	0d		8d
ddd			0.100			0.004

Information furnished is believed to be accurate and reliable. However, STMicroelectronics assumes no responsibility for the consequences of use of such information nor for any infringement of patents or other rights of third parties which may result from its use. No license is granted by implication or otherwise under any patent or patent rights of STMicroelectronics. Specifications mentioned in this publication are subject to change without notice. This publication supersedes and replaces all information previously supplied. STMicroelectronics products are not authorized for use as critical components in life support devices or systems without express written approval of STMicroelectronics.

The ST logo is a registered trademark of STMicroelectronics

© 2002 STMicroelectronics - All Rights Reserved
 STMicroelectronics GROUP OF COMPANIES

Australia - Brazil - China - Finland - France - Germany - Hong Kong - India - Italy - Japan - Malaysia - Malta - Morocco
 Singapore - Spain - Sweden - Switzerland - United Kingdom

<http://www.st.com>

