

## 8-Bit Microcontroller for Digital Computer Monitors

---

### 1. Introduction

The TSC8051C2 is a stand-alone high performance CMOS 8-bit embedded microcontroller and is designed for use in CRT monitors. It is also suitable for automotive and industrial applications.

The TSC8051C2 includes the fully static 8-bit "80C51" CPU core with 256 bytes of RAM; 4 Kbytes of ROM; two 16-bit timers; 12 PWM Channels; a 5 sources and 2-level interrupt controller; a full duplex serial port; a watchdog timer; power voltage monitor and on-chip oscillator.

In addition, the TSC8051C2 has 2 software selectable modes of reduced activity for further reduction in power consumption. In the idle mode the CPU is frozen while the RAM, the timers, the serial ports, and the interrupt system continue to function. In the power down mode the RAM is saved and all other functions are inoperative.

The TSC8051C2 enables the users reducing a lot of external discrete components while bringing the maximum of flexibility.

### 2. Features

- Boolean processor
- Fully static design
- 4K bytes of ROM
- 256 bytes of RAM
- 2 x 16-bit timer/counter
- Programmable serial port
- 5 interrupt sources:
  - External interrupts (2)
  - Timers interrupt (2)
  - Serial port interrupt
- Watchdog reset
- Power Fail reset
- On chip oscillator for crystal or ceramic resonator
- 2 power saving control modes:
  - Idle mode
  - Power-down mode
- SYNC Processor
  - Controlled HSYNC & VSYNC outputs
  - Controlled HSYNC & VSYNC inputs
  - Clamp pulse output
- Up to 12 programmable PWM channels with 8-bit resolution
- Up to 32 programmable I/O lines depending on the package
- 40 pins DIP, 44 pins PQFP, 44 and 52 pins PLCC packages
- Commercial and industrial temperature ranges
- Operating Frequency: 12 MHz to 16 MHz

## 3. Block Diagram

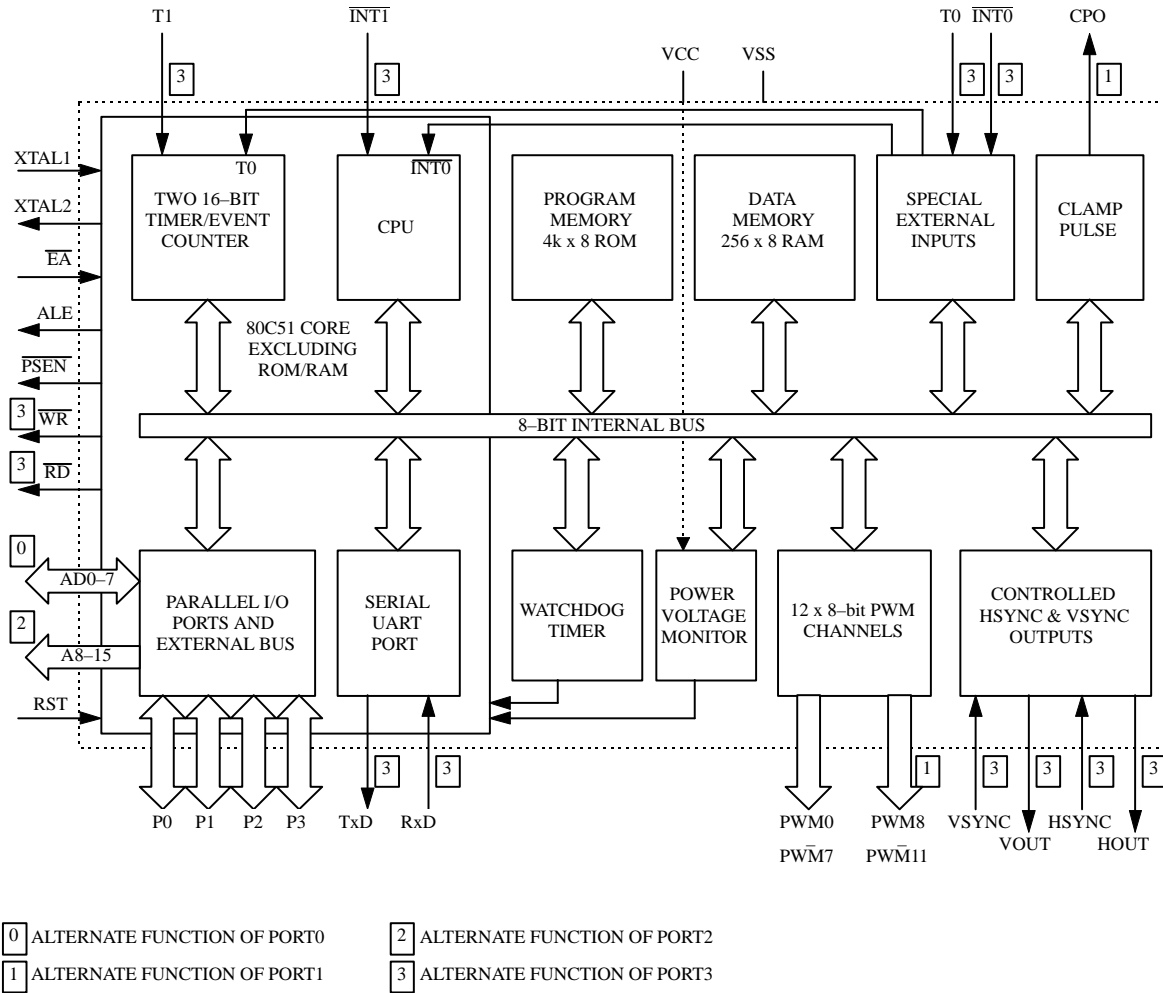
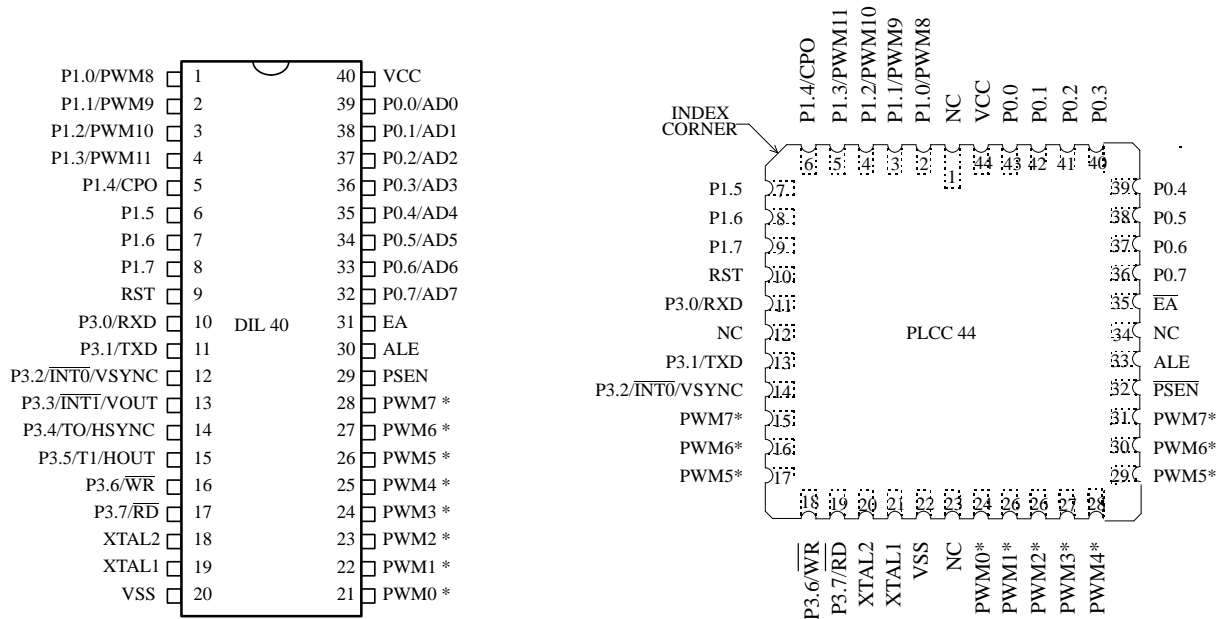
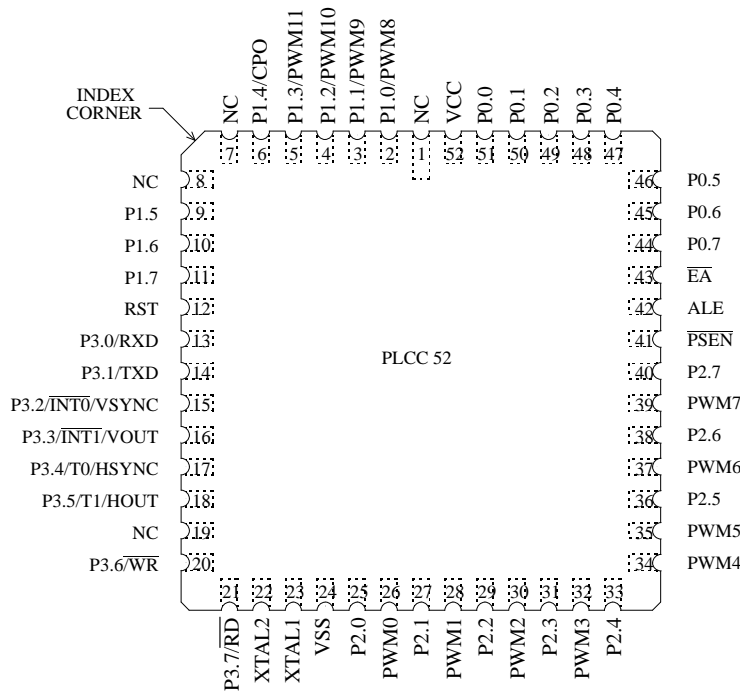


Figure 1. TSC8051C2 block diagram.

**4. Pin Configurations**



\*PWMx or P2.x depending on option (see ordering information)



**Figure 2. TSC8051C2 pin configurations.**

## 5. Pin Description

### VSS

Circuit ground.

### VCC

Power supply voltage.

### RST

A high level on this pin for two machine cycles while the oscillator is running resets the device. An internal pulldown resistor permits power-on reset using only a capacitor connected to VCC.

### PORT 0 (P0.0–P0.7)

Port 0 is an 8-bit open-drain bidirectional I/O port. Port 0 pins that have 1's written to them float, and in that state can be used as high-impedance inputs.

Port 0 is also the multiplexed low-order address and data bus during access to external Program and Data memory. In this application it uses strong internal pull-up when emitting 1's.

Port 0 can sink and source 8 LS TTL loads.

### PORT 1 (P1.0–P1.7)

Port 1 is an 8-bit bidirectional I/O port with internal pullups. Port 1 pins that have 1's written to them are pulled high by the internal pullups, and in that state can be used as inputs. As inputs, Port 1 pins that are externally being pulled low will source current (IIL on the data-sheet) because of the internal pullups.

Port 1 also serves 4 programmable PWM open drain outputs and programmable open drain CPO, as listed below:

Port Pin	Alternate Function
P1.0	PWM8: Pulse Width Modulation output 8.
P1.1	PWM9: Pulse Width Modulation output 9.
P1.2	PWM10: Pulse Width Modulation output 10.
P1.3	PWM11: Pulse Width Modulation output 11.
P1.4	CPO: Clamp Pulse Output.

Port 1 can sink and source 3 LS TTL loads.

### PORT 2 (P2.0–P2.7)

Port 2 is an 8-bit bidirectional I/O port with internal pullups. Port 2 pins that have 1's written to them are pulled high by the internal pullups, and in that state can be used as inputs. As inputs, Port 2 pins that are externally being pulled low will source current (IIL on the data-sheet) because of the internal pullups.

Port 2 emits the high-order 8-bit address during fetches from external Program Memory and during accesses to external Data Memory that use 16-bit addresses. In this application it uses strong internal pull-up when emitting 1's.

Port 2 can sink and source 3 LS TTL loads.

### PORT 3 (P3.0–P3.7)

Port 3 is an 8-bit bidirectional I/O port with internal pullups. Port 3 pins that have 1's written to them are pulled high by the internal pullups, and in that state can be used as inputs. As inputs, Port 3 pins that are externally being pulled low will source current (IIL on the data-sheet) because of the internal pullups.

Each line on this port has 2 or 3 functions either a general I/O or special control signal, as listed below:

Port Pin	Alternate Function
P3.0	RXD: serial input port.
P3.1	TXD: serial output port.
P3.2	$\overline{\text{INT0}}$ : external interrupt 0. VSYNC: vertical synchro input.
P3.3	$\overline{\text{INT1}}$ : external interrupt 1. VOUT: buffered V-SYNC output.
P3.4	T0: Timer 0 external input. HSYNC: horizontal synchro input.
P3.5	T1: Timer 1 external input. HOUT: buffered H-SYNC output.
P3.6	$\overline{\text{WR}}$ : external data memory write strobe.
P3.7	$\overline{\text{RD}}$ : external data memory read strobe.

Port 3 can sink and source 3 LS TTL loads.

### PWM0–7

These eight Pulse Width Modulation outputs are true open drain outputs and are floating after reset.

## **ALE**

The Address Latch Enable output signal occurs twice each machine cycle except during external data memory access. The negative edge of ALE strobes the address into external data memory or program memory. ALE can sink and source 8 LS TTL loads.

If desired, ALE operation can be disabled by setting bit 0 of SFR location AFh (MSCON). With the bit set, ALE is active only during MOVX instruction and external fetches. Otherwise the pin is pulled low.

## **$\overline{EA}$**

When the External Access input is held high, the CPU executes out of internal program memory (unless the Program Counter exceeds 1FFFh). When  $\overline{EA}$  is held low the CPU executes only out of external program memory.  $\overline{EA}$  must not be left floating.

## **$\overline{PSEN}$**

The Program Store Enable output signal remains high during internal program memory. An active low output occurs during an external program memory fetch.  $\overline{PSEN}$  can sink and source 8 LS TTL loads.

## **XTAL1**

Input to the inverting oscillator amplifier and input to the external clock generator circuits.

## **XTAL2**

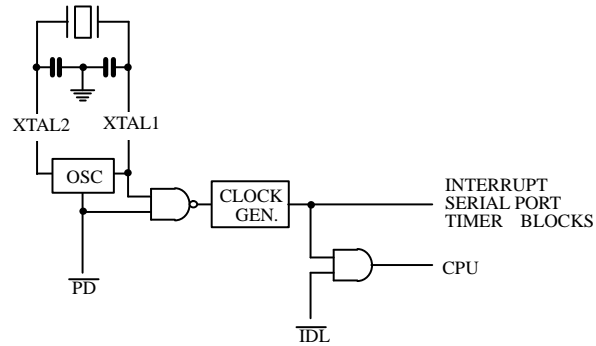
Output from the inverting oscillator amplifier. This pin should be non-connected when external clock is used.

## 6. Basic Functional Description

### 6.1. Idle And Power Down Operation

Figure 3 shows the internal Idle and Power Down clock configuration. As illustrated, Power Down operation stops the oscillator. Idle mode operation allows the interrupt, serial port, and timer blocks to continue to operate while the clock to the CPU is gated off.

These special modes are activated by software via the Special Function Register, its hardware address is 87h. PCON is not bit addressable.



**Figure 3. Idle and Power Down Hardware.**

PCON: Power Control Register

MSB		SFR 87h				LSB	
SMOD	-	-	PFRE	GF1	GF0	PD	IDL

Symbol	Position	Name and Function
IDL	PCON.0	Idle mode bit. Setting this bit activates idle mode operation.
PD	PCON.1	Power Down bit. Setting this bit activates power down operation.
GF0	PCON.2	General-purpose flag bit.
GF1	PCON.3	General-purpose flag bit.
PFRE	PCON.4	Power Fail Reset Enable bit. Setting this bit enables the power voltage monitor. The only way to clear this bit is to apply an external reset.
-	PCON.5	(Reserved).
-	PCON.6	(Reserved).
SMOD	PCON.7	Double Baud rate bit. Setting this bit causes the baud rate to double when the serial port is being used in either modes 1, 2 or 3.

If 1's are written to PD and IDL at the same time, PD takes precedence. The reset value of PCON is 0XX0 0000b.

#### 6.1.1. Idle Mode

The instruction that sets PCON.0 is the last instruction executed before the Idle mode is activated. Once in the Idle mode the CPU status is preserved in its entirety: the Stack Pointer, Program Counter, Program Status Word, Accumulator, RAM, and all other register maintain their data during Idle Table 1 describes the status of the external pins during Idle mode.

There are two ways to terminate the Idle mode. Activation of any enabled interrupt will cause PCON.0 to be cleared by hardware terminating Idle mode. The interrupt is serviced, and following RETI, the next instruction to be executed will be the one following the instruction that wrote 1 to PCON.0.

The flag bits GF0 and GF1 may be used to determine whether the interrupt was received during normal execution or during the Idle mode. For example, the instruction that writes to PCON.0 can also set or clear one or both flag bits. When Idle mode is terminated by an enabled interrupt, the service routine can examine the status of the flag bits.

The second way of terminating the Idle is with a hardware reset. Since the oscillator is still running, the hardware reset needs to be active for only 2 machine cycles (24 oscillator periods) to complete the reset operation.

## 6.1.2. Power Down Mode

The instruction that sets PCON.1 is the last executed prior to entering power down. Once in power down, the oscillator is stopped. The contents of the onchip RAM and the Special Function Register are saved during power down mode. A hardware reset is the only way of exiting the power down mode. The hardware reset initiates the Special Function Register. In the Power Down mode, VCC may be lowered to minimize circuit power consumption. Care must be taken to ensure the voltage is not reduced until the power down mode is entered, and that the voltage is restored before the hardware reset is applied which frees the oscillator. Reset should not be released until the oscillator has restarted and stabilized. Table 1 describes the status of the external pins while in the power down mode. It should be noted that if the power down mode is activated while in external program memory, the port data that is held in the Special Function Register P2 is restored to Port 2. If the data is a 1, the port pin is held high during the power down mode by the strong pullup transistor.

**Table 1. Status of the external pins during Idle and Power Down modes.**

Mode	Program Memory	ALE	PSEN	Port 0	Port 1	Port 2	Port 3	PWMx
Idle	Internal	1	1	Port Data	Port Data	Port Data	Port Data	Floating
Idle	External	1	1	Floating	Port Data	Address	Port Data	Floating
Power Down	Internal	0	0	Port Data	Port Data	Port Data	Port Data	Floating
Power Down	External	0	0	Floating	Port Data	Port Data	Port Data	Floating

## 6.2. Stop Clock Mode

Due to static design, the TSC8051C2 clock speed can be reduced down to 0 MHz without any data loss in memory or register. This mode allows step by step code execution, and permits to reduce system power consumption by bringing the clock frequency down to any value. When the clock is stopped, the power consumption is the same as in the Power Down Mode.

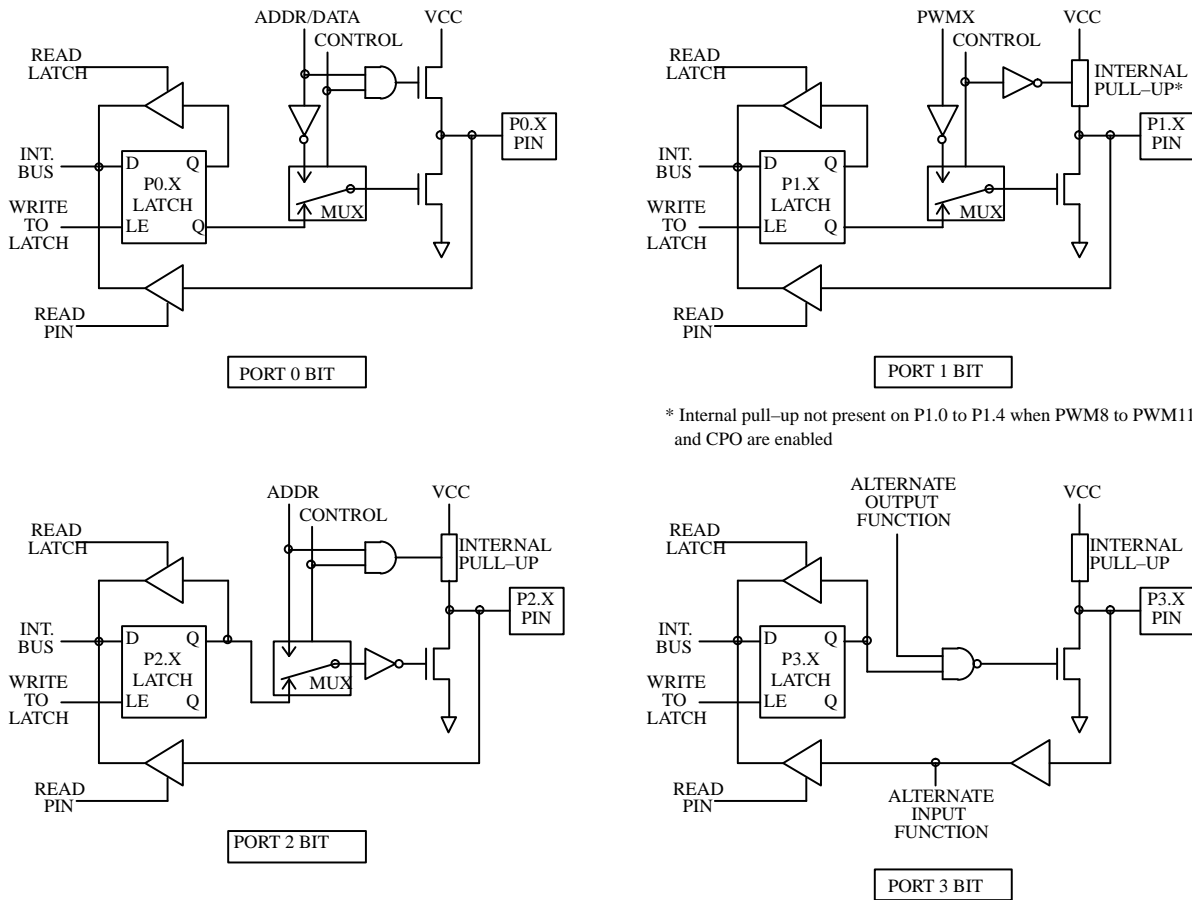
## 6.3. I/O Ports Structure

The TSC8051C2 has four 8-bit ports. Each port consist of a latch (special function register P0 to P3), an input buffer and an output driver. These ports are the same as in 80C51, with the exception of the additional functions of port 1 and port 3 (see Pin Description section).

## 6.4. I/O Configurations

Figure 4. shows a functional diagram of the generic bit latch and I/O buffer in each of the four ports. The bit latch, (one bit in the port SFR) is represented as a D type flip-flop. A 'write to latch' signal from the CPU latches a bit from the internal bus and a 'read latch' signal from the CPU places the Q output of the flip-flop on the internal bus. A 'read pin' signal from the CPU places the actual pin logical level on the internal bus.

Some instructions that read a port read the actual pin, and other instructions read the latch (SFR).



\* Internal pull-up not present on P1.0 to P1.4 when PWM8 to PWM11 and CPO are enabled

Figure 4. Port Bit Latches and I/O buffers

## 6.5. Reset Circuitry

The reset circuitry for the TSC8051C2 is connected to the reset pin RST. A Schmitt trigger is used at the input for noise rejection (see Figure 5. ).

A reset is accomplished by holding the RST pin high for at least two machine cycles (24 oscillator periods) while the oscillator is running. The CPU responds by executing an internal reset. It also configures the ALE and PSEN pins as inputs (they are quasi-bidirectional). A Watchdog timer underflow or a power Fail condition if enabled, will force a reset condition to the TSC8051C2 by an internal connection.

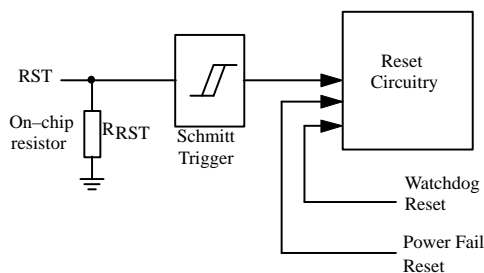
The internal reset is executed during the second cycle in which reset is high and is repeated every cycle until RST goes low. It leaves the internal registers as follows:

Register	Content
ACC	00h
B	00h
DPTR	0000h
EICON	00h
HWDR	00h
IE	0XX0 0000b
IP	XXX0 0000b
MSCON	XXXX XXX0b
MXCR0-1	00h
P0-P3	FFh
PC	0000h
PCON	0XX0 0000b
PSW	00h
PWM0-11	00h
PWMCON	XXXX XXX0b
SBUF	00h



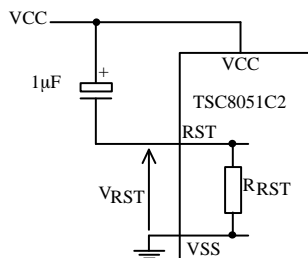
Register	Content
SCON	00h
SOCCR	00h
SP	07h
TCON	00h
TH0, TH1	00h
TL0, TL1	00h
TMOD	00h

The internal RAM is not affected by reset. At power-on reset, the RAM content is indeterminate.



**Figure 5. On-Chip Reset Configuration.**

An automatic reset can be obtained when VCC is turned on by connecting the RST pin to VCC through a 1µF capacitor providing the VCC setting time does not exceed 1ms and the oscillator start-up time does not exceed 10ms. This power-on reset circuit is shown in Figure 6. When power comes on, the current drawn by RST starts to charge the capacitor. The voltage at RST is the difference between VCC and the capacitor voltage, and decreases from VCC as the capacitor charges. VRST must remain above the lower threshold of the Schmitt trigger long enough to effect a complete reset. The time required is the oscillator start-up time, plus 2 machine cycles.

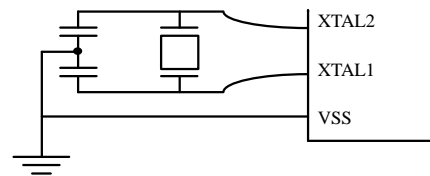


**Figure 6. Power-on Reset Circuit**

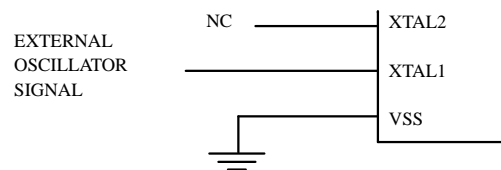
## 6.6. Oscillator Characteristics

XTAL1 and XTAL2 are respectively the input and output of an inverting amplifier which is configured for use as an on-chip oscillator. As shown in Figure 7, either a quartz crystal or ceramic resonator may be used. To drive the device from an external clock source, XTAL1 should be driven while XTAL2 is left unconnected as shown in Figure 8.

There are no requirements on the duty cycle of the external clock signal, since the input to the internal clocking circuitry is through a divide-by-two flip-flop. The minimum high and low times specified on the data sheet must be observed however.



**Figure 7. Crystal Oscillator**



**Figure 8. External Drive Configuration**

## 6.7. Memory organization

The memory organisation of the TSC8051C2 is the same as in the 80C51, with the exception that the TSC8051C2 has 4k bytes ROM, 256 bytes RAM, and additional SFRs. Details of the differences are given in the following paragraphs.

In the TSC8051C2, the lowest 4k of the 64k program memory address space is filled by internal ROM. Depending on the package used, external access is available or not. By tying the EA pin high, the processor fetches instructions from internal program ROM. Bus expansion for accessing program memory from 4k upward is automatic since external instruction fetches occur automatically when the program counter exceeds 1FFFh. If the EA pin is tied low, all program memory fetches are from external memory. The execution speed is the same regardless of whether fetches are from external or internal program memory. If all storage is on-chip, then byte location 0FFFh should be left vacant to prevent an undesired pre-fetch from external program memory address 1000h.

Certain locations in program memory are reserved for specific purposes. Locations 0000h to 0002h are reserved for the initialisation program. Following reset, the CPU always begins execution at location 0000h. Locations 0003h to 002Ah are reserved for the five interrupt request service routines.

The internal data memory space is divided into a 256-bytes internal RAM address space and a 128 bytes special function register address space.

The internal data RAM address space is 0 to FFh. Four 8-bit register banks occupy locations 0 to 1Fh. 128 bit locations of the internal data RAM are accessible through direct addressing. These bits reside in 16 bytes of internal RAM at location 20h to 2Fh. The stack can be located anywhere in the internal data RAM address space by loading the 8-bit stack pointer (SP SFR).

The SFR address space is 100h to 1FFh. All registers except the program counter and the four 8-bit register banks reside in this address space. Memory mapping of the SFRs allows them to be accessed as easily as internal RAM, and as such, they can be operated on by most instructions. The mapping in the SFR address space of the 40 SFRs is shown in Table 2. The SFR names in italic are TSC8051C2 new SFRs and are described in Peripherals Functional Description section. The SFR names in bold are bit addressable.

**Table 2. Mapping of Special Function Register**

	<b>0/8</b>	<b>1/9</b>	<b>2/A</b>	<b>3/B</b>	<b>4/C</b>	<b>5/D</b>	<b>6/E</b>	<b>7/F</b>
<b>F8</b>					<i>PWM8</i>	<i>PWM9</i>	<i>PWM10</i>	<i>PWM11</i>
<b>F0</b>	<b>B</b>				<i>PWM4</i>	<i>PWM5</i>	<i>PWM6</i>	<i>PWM7</i>
<b>E8</b>					<i>PWM0</i>	<i>PWM1</i>	<i>PWM2</i>	<i>PWM3</i>
<b>E0</b>	<b>ACC</b>				<i>EICON</i>	<i>SOCR</i>	<i>HWDR</i>	<i>MXCR0</i>
<b>D8</b>								<i>PWMCON</i>
<b>D0</b>	<b>PSW</b>							<i>MXCR1</i>
<b>C8</b>								
<b>C0</b>								
<b>B8</b>	<b>IP</b>							
<b>B0</b>	<b>P3</b>							
<b>A8</b>	<b>IE</b>							MSCON
<b>A0</b>	<b>P2</b>							
<b>98</b>	<b>SCON</b>	SBUF						
<b>90</b>	<b>P1</b>							
<b>88</b>	<b>TCON</b>	TMOD	TL0	TL1	TH0	TH1		
<b>80</b>	<b>P0</b>	SP	DPL	DPH				PCON

## 6.8. Interrupts

The TSC8051C2 has five interrupt sources, each of which can be assigned one of two priority levels. These five interrupt sources are common to the 80C51 and are the external interrupts (INT0 and INT1), the timer 0 and timer 1 interrupts (IT0 and IT1), and the serial I/O interrupt (RI or TI).

### 6.8.1. Interrupt Enable Register:

Each interrupt source can be individually enabled or disabled by setting or clearing a bit in the interrupt enable register (IE SFR). All interrupts sources can also be globally enabled or disabled by setting or clearing the EA bit in IE register.

IE: Interrupt Enable Register

MSB		SFR A8h					LSB	
EA	-	-	ES	ET1	EX1	ET0	EX0	

Symbol	Position	Name and Function
EX0	IE.0	Enable external interrupt 0.
ET0	IE.1	Enable timer 0 interrupt.
EX1	IE.2	Enable external interrupt 1.
ET1	IE.3	Enable timer 1 interrupt.
ES	IE.4	Enable UART interrupt.
-	IE.5	(Reserved).
-	IE.6	(Reserved).
EA	IE.7	Enable all interrupts.

### 6.8.2. Interrupt Priority Structure:

Each interrupt source can be assigned one of two priority levels. Interrupt priority levels are defined by the interrupt priority register (IP SFR). Setting a bit in the interrupt priority register selects a high priority interrupt, clearing it selects a low priority interrupt.

IP: Interrupt Priority Register

MSB		SFR B8h					LSB	
-	-	-	PS	PT1	PX1	PT0	PX0	

Symbol	Position	Name and Function
PX0	IP.0	External interrupt 0 priority level.
PT0	IP.1	Timer 0 interrupt priority level.
PX1	IP.2	External interrupt 1 priority level.
PT1	IP.3	Timer 1 interrupt priority level.
PS	IP.4	UART interrupt priority level.
-	IP.5	(Reserved).
-	IP.6	(Reserved).
-	IP.7	(Unused).

A low priority interrupt service routine may be interrupted by a high priority interrupt. A high priority interrupt service routine cannot be interrupted by any other interrupt source.

If two requests of different priority levels occur simultaneously, the high priority level request is serviced. If requests of same priority are received simultaneously, an internal polling sequence determines which request is serviced. Thus, within each priority level, there is a second priority structure determined by the polling sequence, as follows:

Order	Source	Priority Within Level
1	INT0	(highest)
2	Timer 0	↑
3	INT1	
4	Timer 1	↓
5	UART	(lowest)

### 6.8.3. Interrupt Handling:

The interrupt flags are sampled at S5P2 of every machine cycle. The samples are polled during the following machine cycle. If one of the flags was in a set condition at S5P2 of the previous machine cycle, the polling cycle will find it and the interrupt system will generate a LCALL to the appropriate service routine, provided this hardware-generated LCALL is not blocked by any of the following conditions:

1. An interrupt of higher or equal priority is already in progress.
2. The current (polling) cycle is not the final cycle in the execution of the instruction in progress.
3. The instruction in progress is RETI or any access to the IE or IP SFR.

Any of these three conditions will block the generation of the LCALL to the interrupt service routine. Note that if an interrupt is active but not being responded to for one of the above conditions, if the flag is not still active when the blocking condition is removed, the denied interrupt will not be serviced. In other words, the facts that the interrupt flag was once active but not serviced is not memorized. Every polling cycle is new.

The processor acknowledges an interrupt request by executing a hardware-generated LCALL to the appropriate service routine. In some cases it also clears the flag that generated the interrupt, and in other case it does not. It clears the timer 0, timer 1, and external interrupt flags. An external interrupt flag (IE0 or IE1) is cleared only if it was transition-activated. All other interrupt flags are not cleared by hardware and must be cleared by the software. The LCALL pushes the contents of the program counter onto the stack (but it does not save the PSW) and reloads the PC with an address that depends on the source of the interrupt being vectored to, as listed below:

Source	Vector Address
IE0	0003h
TF0	000Bh
IE1	0013h
TF1	001Bh
RI + TI	0023h

Execution proceeds from the vector address until the RETI instruction is encountered. The RETI instruction clears the 'priority level active' flip-flop that was set when this interrupt was acknowledged. It then pops two bytes from the the top of the stack and reloads the program counter with them. Execution of the interrupted program continues from where it was interrupted.

## 7. Peripherals Functional Description

For detailed functional description of standard 80C51 peripherals, please refer to C51 Family, Hardware Description and Programmer's Guides.

### 7.1. Watchdog Timer

The watchdog timer consists of a 4-bit timer with a 17-bit prescaler as shown in Figure 9. The prescaler is fed with a signal whose frequency is 1/12 the oscillator frequency (1MHz with a 12MHz oscillator).

The 4-bit timer is decremented every 't' seconds, where:  $t = 12 \times 131072 \times 1/fosc$ . (131.072ms at  $fosc = 12\text{MHz}$ ). Thus, the interval may vary from 131.072ms to 2097.152ms in 16 possible steps (see Table 3. ).

The watchdog timer has to be reloaded (write to HWDR SFR) within periods that are shorter than the programmed watchdog interval, otherwise the watchdog timer will underflow and a system reset will be generated which will reset the TSC8051C2.

HWDR: Hardware WatchDog Register

MSB		SFR E6h				LSB	
WTE	-	-	-	WT3	WT2	WT1	WT0

Symbol	Position	Name and Function
WT0	HWDR.0	Watchdog Timer Interval bit 0.
WT1	HWDR.1	Watchdog Timer Interval bit 1.
WT2	HWDR.2	Watchdog Timer Interval bit 2.
WT3	HWDR.3	Watchdog Timer Interval bit 3.
-	HWDR.4	Reserved for test purpose, must remain to 0 for normal operation.
-	HWDR.5	(Reserved).
-	HWDR.6	(Reserved).
WTE	HWDR.7	Watchdog Timer Enable bit. Setting this bit activates watchdog operation.

**Table 3. Watchdog timer interval value format.**

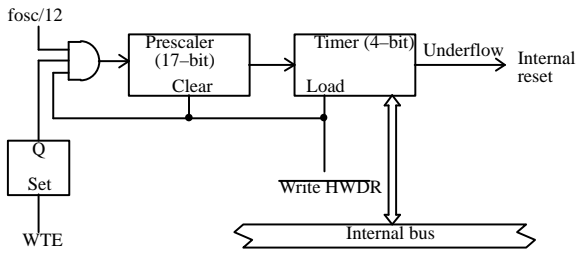
WT3	WT2	WT1	WT0	Interval
0	0	0	0	$t \times 16$
0	0	0	1	$t \times 1$
0	0	1	0	$t \times 2$
:	:	:	:	:
:	:	:	:	:
1	1	1	1	$t \times 15$

Once the watchdog timer enabled setting WTE bit, it cannot be disabled anymore, except by a system reset.

The watchdog timer is frozen during idle or power down mode.

HWDR is a write only register. Its value after reset is 00h which disables the watchdog operation.

HWDR is using TSC8051C2 Special Function Register address, E6h.



**Figure 9. Watchdog timer block diagram**

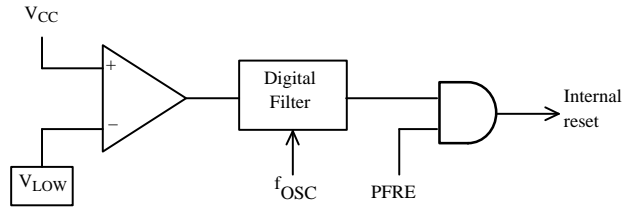
## 7.2. Power Fail Reset

The TSC8051C2 implements a programmable power fail reset mechanism that avoids the microcontroller running while  $V_{CC}$  is under working voltage (see Figure 10.). This system generates an internal reset when  $V_{CC}$  falls: during  $V_{CC}$  failure or power supply switch off.

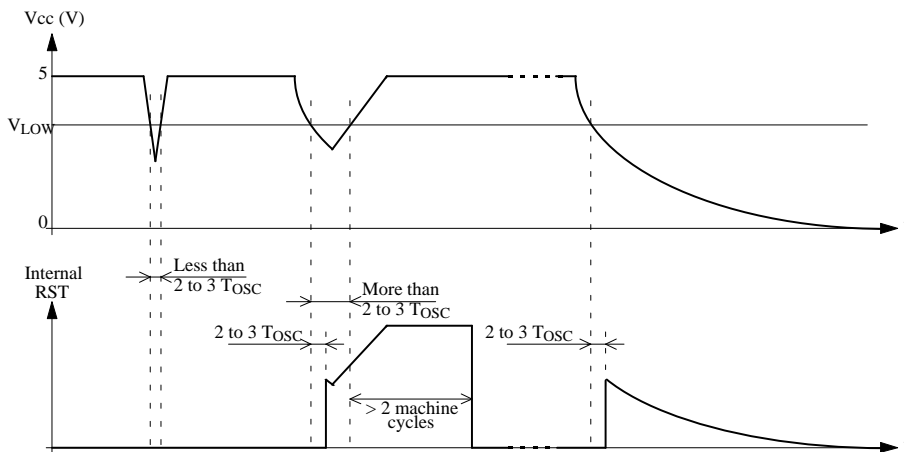
When  $V_{CC}$  falls below  $V_{LOW}$  (see DC Electricals Characteristics), reset is asserted and maintained until power supply is completely off. If  $V_{CC}$  rises above  $V_{LOW}$ , reset is maintained during at least 2 machine cycles to be well detected by the CPU core. To avoid spurious reset, power glitches of pulses width less than 2 to 3  $f_{OSC}$  periods are filtered out (see Figure 11. ).

The PFR must be enabled by setting PFRE bit in PCON register bit location 4 (see Idle and Power Down Operation section).

The PFR is disabled during Idle and power down modes. Since it is enabled, PFR can no longer be disabled by software. Writing 0 to PFRE bit has no effect, the only way to clear the PFRE bit is to apply an external reset. To avoid period during which PFR is disabled, internal reset sources do not disable PFR.



**Figure 10. Power-Fail Reset block diagram**



**Figure 11. Power Fail Reset timing diagram**

## 7.3. Pulse Width Modulated Outputs

The TSC8051C2 contains twelve pulse width modulated output channels (see Figure 10. ). These channels generate pulses of programmable duty cycle with an 8-bit resolution.

The 8-bit counter counts modulo 256 by default i.e., from 0 to 255 inclusive but can count modulo 254 i.e., from 0 to 253 inclusive by programming the bit 0 of the PWMCON register. The counter clock is supplied by the oscillator frequency. Thus, the repetition frequency  $f_{pwm}$  is constant and equals to the oscillator frequency divided by 256 or 254 ( $f_{pwm}=46.875\text{KHz}$  or  $47.244\text{KHz}$  with a 12MHz oscillator). The 8-bit counter is common to all PWM channels, its value is compared to the contents of the twelve registers: PWM0 to PWM11. Provided the content of each of these registers is greater than the counter value, the corresponding output is set low. If the contents of these registers are equal to, or less than the counter value the output will be high.

The pulse-width ratio is therefore defined by the contents of these registers, and is in the range of 0 (all '0' written to PWM register) to 255/256 or 1 (all '1' written to PWM register) and may be programmed in increments of 1/256 or 1/254. When the 8-bit counter counts modulo 254, it can never reach the value of the PWM registers when they are loaded with FEh or FFh.

PWMx: Pulse Width Modulator x Register

MSB				LSB			
D7	D6	D5	D4	D3	D2	D1	D0

When a compare register (PWM0 to PWM11) is loaded with a new value, the associated output is updated immediately. It does not have to wait until the end of the current counter period. All the PWM outputs are open-drain outputs with standard current drive and standard maximum voltage capability. When they are disabled, eight of them (PWM0 to PWM7) are in high impedance while the other four (PWM8 to PWM11) are standard Port outputs with internal pullups.

Two 8-bit control registers: MXCR0 and MXCR1 are used to enable or disable PWM outputs.

MXCR0 is used for PWM0 to PWM7. MXCR1 is used for PWM8 to PWM11, these PWMs are multiplexed with PORT 1 (see Table 5. )

PWM0 to PWM11 are write only registers. Their value after reset is 00h.

PWM0 to PWM11 are using TSC8051C2 Special Function Registers addresses as detailed in Table 4.

**Table 4. PWM SFR register addresses**

Channel	SFR address
PWM0	ECh
PWM1	EDh
PWM2	EEh
PWM3	EFh
PWM4	F4h
PWM5	F5h
PWM6	F6h
PWM7	F7h
PWM8	FCh
PWM9	FDh
PWM10	FEh
PWM11	FFh

## MXCR0: PWM Multiplexed Control Register 0

MSB		SFR E7h				LSB	
PE7	PE6	PE5	PE4	PE3	PE2	PE1	PE0

Symbol	Position	Name and Function
PE <sub>x</sub>	MXCR0.x	PWM <sub>x</sub> Enable bit. Setting this bit enables PWM <sub>x</sub> output. Clearing this bit disables PWM <sub>x</sub> output.

## MXCR1: PWM Multiplexed Control Register 1

MSB		SFR D7h				LSB	
-	-	-	-	PE11	PE10	PE9	PE8

Symbol	Position	Name and Function
PE <sub>x</sub>	MXCR1.x	PWM <sub>x+8</sub> Enable bit. Setting this bit enables PWM <sub>x</sub> output. Clearing this bit disables PWM <sub>x</sub> output and activates the I/O pin (see Table 5).

MXCR0 and MXCR1 are read/write registers. Their value after reset is 00h which corresponds to all PWM disabled.

PWM will not operate in idle and power down modes (frozen counter). When idle or power down mode is entered, the PWM0 to PWM7 output pins are floating and PWM8 to PWM11 pins are set to general purpose P1 port with the value of P1 SFR.

MXCR0 and MXCR1 are using TSC8051C2 Special Function Register addresses, E7h and D7h respectively.

**Table 5. PWM alternate pin.**

Channel	Pin assignment
PWM8	P1.0
PWM9	P1.1
PWM10	P1.2
PWM11	P1.3

PWMCON is used to control the PWM counter.

## PWMCON: PWM Control Register

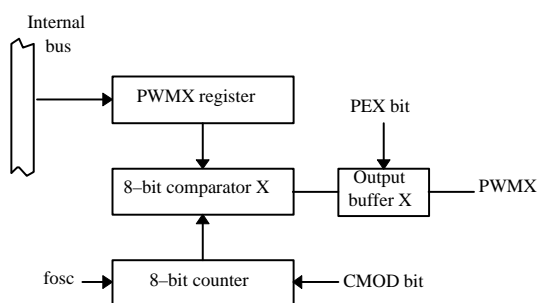
MSB		SFR DFh				LSB	
-	-	-	-	-	-	-	CMOD

Symbol	Position	Name and Function
CMOD	PWMCON.0	Counter modulo. Setting this bit sets the modulo to 254. Clearing this bit sets the modulo to 256.

PWMCON is a write only register. Its value after reset is 00h which sets the PWM counter modulo to 256.

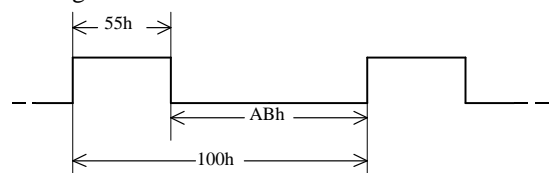
PWMCON is using TSC8051C2 Special Function Register address, DFh.





**Figure 12. Pulse width modulated outputs block diagram**

Figure 13. shows a PWM programming example with PWM register content 55h and counter modulo 256.



**Figure 13. PWM programming example.**

Note: when packaging P2.X is selected, PWM0 to PWM7 are not available. Please refer to ordering information.

## 7.4. SYNC Processor

### 7.4.1. HSYNC and VSYNC Outputs

SOCR is used to configure P3.3 and P3.5 pins as buffered HSYNC and VSYNC outputs or as general purpose I/Os. When either HSYNC or VSYNC is selected, the output level can be respectively programmed as P3.4 or P3.2 input level (inverted or not), or as a low level if not enabled. Figure 14. shows the programmable HSYNC and VSYNC output block diagram.

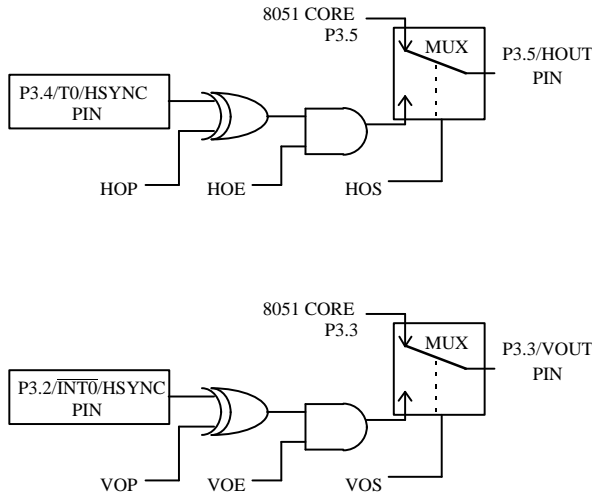
SOCR: Synchronisation Output Control Register.

MSB		SFR E5h				LSB	
-	-	VOS	HOS	VOP	VOE	HOP	HOE

Symbol	Position	Name and Function
HOE	SOCR.0	HSYNC Output Enable bit. Setting this bit enables the HSYNC signal.
HOP	SOCR.1	HSYNC Output Polarity bit. Setting this bit inverts the HSYNC output.
VOE	SOCR.2	VSYNC Output Enable bit. Setting this bit enables the VSYNC signal.
VOP	SOCR.3	VSYNC Output Polarity bit. Setting this bit inverts the VSYNC output.
HOS	SOCR.4	HSYNC Output Selection bit. Setting this bit selects the VSYNC output, clearing it selects P3.5 SFR bit.
VOS	SOCR.5	VSYNC Output Selection bit. Setting this bit selects the VSYNC output, clearing it selects P3.3 SFR bit.
CPE	SOCR.6	Clamp Pulse Enable bit. Setting this bit enables the CPO output.
CPP	SOCR.7	Clamp Pulse Polarity bit. Setting this bit selects positive clamp pulses, clearing it selects negative clamp pulses.

SOCR is a write only register. Its value after reset is 00h which enables P3.3 and P3.5 general purpose I/O pins.

SOCR is using TSC8051C2 Special Function Register address, E5h.



**Figure 14. Buffered HSYNC and VSYNC block diagram**

## 7.4.2. HSYNC and VSYNC Inputs

EICON is used to control  $\overline{\text{INT0}}/\text{VSYNC}$  input. Thus, an interrupt on either falling or rising edge and on either high or low level can be requested. Figure 15. shows the programmable  $\overline{\text{INT0}}/\text{VSYNC}$  input block diagram.

EICON is also used to control T0/HSYNC input as short pulses input capture to be able to count them with timer 0. Pulse duration shorter than 1 clock period is rejected; depending on the position of the sampling point in the pulse, pulse duration longer than 1 clock period and shorter than 1.5 clock period may be rejected or accepted; and pulse duration longer than 1.5 clock period is accepted. Moreover selection of negative or positive pulses can be programmed.

Accepted pulse is lengthened up to 1 cycle period to be sampled by the 8051 core (one time per machine cycle: 12 clock periods), this implies that the maximum pulse frequency is unchanged and equal to  $f_{\text{OSC}}/24$ . Figure 16. shows the programmable T0/HSYNC input block diagram. The Digital Timer Delay samples T0/HSYNC pulses and rejects or lengthens them.

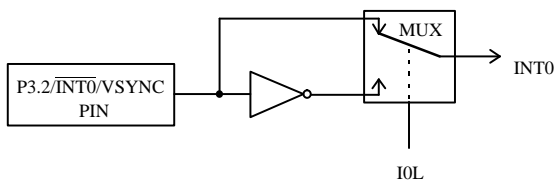
EICON: External Input Control Register

MSB			SFR E4h			LSB	
-	-	-	-	-	TOL	TOS	IOL

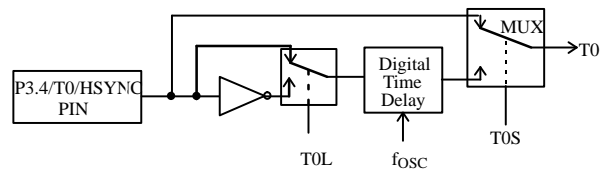
Symbol	Position	Name and Function
IOL	EICON.0	$\overline{\text{INT0}}/\text{VSYNC}$ input Level bit. Setting this bit inverts $\overline{\text{INT0}}/\text{VSYNC}$ input signal. Clearing it allows standard use of $\overline{\text{INT0}}/\text{VSYNC}$ input.
TOS	EICON.1	T0/HSYNC input Selection bit. Setting this bit allows short pulse capture. Clearing it allows standard use of T0/HSYNC input.
TOL	EICON.2	T0/HSYNC input Level bit. Setting this bit allows positive pulse capture. Clearing it allows negative pulse capture.

EICON is a write only register. Its value after reset is 00h which allows standard  $\overline{\text{INT0}}$  and T0 inputs feature.

EICON is using TSC8051C2 Special Function Register address, E4h.



**Figure 15.  $\overline{\text{INT0}}/\text{VSYNC}$  input block diagram**



**Figure 16. T0/HSYNC input block diagram**

**7.4.3. Clamp Pulse Output**

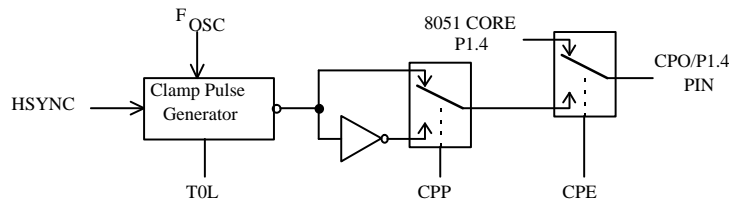
The TSC8051C2 provides fully programmable clamp pulse output to pre-amplifier IC. User can program a pulse with positive or negative polarity at either the falling or rising edge of the HSYNC signal depending on its polarity.

The clamp pulse duration depends on the oscillator frequency by the following formula:

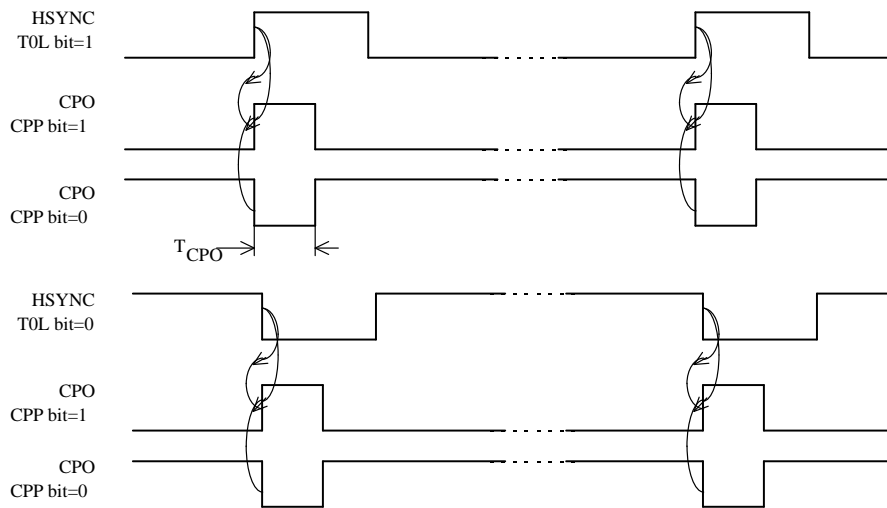
$$T_{CPO} = (1/f_{OSC}) \times 7.5 \pm (1/f_{OSC})/2$$

(542ns ± 42ns at f<sub>OSC</sub> = 12 MHz)

Figure 17. shows the CPO block diagram. CPE bit in SOCR is used to configure P1.4 pin as general purpose I/O or as open drain clamp pulse output, so enables the CPO. CPP bit in SOCR is used to select the clamp pulse signal polarity. Depending on the HSYNC polarity selected by the TOL bit, Clamp pulse is generated on the falling edge (negative polarity) or on the rising edge (positive polarity) as shown in Figure 18.



**Figure 17. Clamp Pulse Output block diagram**



**Figure 18. Clamp Pulse Output waveform**

## 8. Electrical Characteristics

### Absolute Maximum Ratings<sup>(1)</sup>

Operating Temperature:	Voltage on VCC to VSS .....	-0.5V to +7V	
Commercial .....	0°C to 70°C	Voltage on Any Pin to VSS ....	-0.5V to VCC + 0.5V
Industrial .....	-40°C to +85°C	Power Dissipation .....	1W <sup>(2)</sup>
Storage Temperature .....	-65°C to +150°C		

**Notice:**

1. Stresses above those listed under “Absolute Maximum Ratings” may cause permanent damage to the device. This is a stress rating only and functional operation of the device at these or any other conditions above those indicated in the operational sections of this specification is not implied. Exposure to absolute maximum rating conditions for extended periods may affect device reliability.

2. This value is based on the maximum allowable die temperature and the thermal resistance of the package.

### 8.1. DC Characteristics

T<sub>A</sub> = 0°C to +70°C; V<sub>SS</sub> = 0V; V<sub>CC</sub> = 5V ± 10%; F = 0 to 16MHz.

T<sub>A</sub> = -40°C to +85°C; V<sub>SS</sub> = 0V; V<sub>CC</sub> = 5V ± 10%; F = 0 to 16MHz.

Symbol	Parameter	Min	Typ	Max	Unit	Test Conditions
<b>Inputs</b>						
V <sub>IL</sub>	Input Low Voltage	-0.5		0.2 V <sub>CC</sub> - 0.1	V	
V <sub>IH</sub>	Input High Voltage except XTAL1, RST	0.2 V <sub>CC</sub> + 0.9		V <sub>CC</sub> + 0.5	V	
V <sub>IH1</sub>	Input High Voltage, XTAL1, RST	0.7 V <sub>CC</sub>		V <sub>CC</sub> + 0.5	V	
I <sub>IL</sub>	Logical 0 Input Current ports 1, 2 and 3			-50	μA	V <sub>in</sub> = 0.45V
I <sub>LI</sub>	Input Leakage Current			±10	μA	0.45 < V <sub>in</sub> < V <sub>CC</sub>
I <sub>TL</sub>	Logical 1 to 0 Transition Current, ports 1, 2, 3			-650	μA	V <sub>in</sub> = 2.0V
V <sub>LOW</sub>	Power Fail Reset Low Voltage	TBD	3.5 <sup>(5)</sup>	TBD	V	
<b>Outputs</b>						
V <sub>OL</sub>	Output Low Voltage, ports 1, 2, 3, PWM0-7 <sup>(6)</sup>			0.3 0.45 1.0	V V V	I <sub>OL</sub> = 100μA <sup>(4)</sup> I <sub>OL</sub> = 1.6mA <sup>(4)</sup> I <sub>OL</sub> = 3.5mA <sup>(4)</sup>
V <sub>OL1</sub>	Output Low Voltage, port 0, ALE, PSEN <sup>(6)</sup>			0.3 0.45 1.0	V V V	I <sub>OL</sub> = 200μA <sup>(4)</sup> I <sub>OL</sub> = 3.2mA <sup>(4)</sup> I <sub>OL</sub> = 7.0mA <sup>(4)</sup>
V <sub>OH</sub>	Output High Voltage, ports 1, 2, 3	V <sub>CC</sub> - 0.3 V <sub>CC</sub> - 0.7 V <sub>CC</sub> - 1.5			V V V	I <sub>OH</sub> = -10μA I <sub>OH</sub> = -30μA I <sub>OH</sub> = -60μA V <sub>CC</sub> = 5V ± 10%
V <sub>OH1</sub>	Output High Voltage, port 0, ALE, PSEN	V <sub>CC</sub> - 0.3 V <sub>CC</sub> - 0.7 V <sub>CC</sub> - 1.5			V V V	I <sub>OH</sub> = -200μA I <sub>OH</sub> = -3.2mA I <sub>OH</sub> = -7.0mA V <sub>CC</sub> = 5V ± 10%
RRST	RST Pulldown Resistor	50	90 <sup>(5)</sup>	200	kΩ	
C <sub>IO</sub>	Capacitance of I/O Buffer			10	pF	f <sub>c</sub> = 1MHz, T <sub>A</sub> = 25°C

Symbol	Parameter	Min	Typ	Max	Unit	Test Conditions
ICC	Power Supply Current <sup>(7)</sup>					
	Active Mode 12MHz		TBD	TBD	mA	V <sub>cc</sub> = 5.5V <sup>(1)</sup>
	Idle Mode 12MHz		TBD	TBD	mA	V <sub>cc</sub> = 5.5V <sup>(2)</sup>
IPD	Power Down Current		5 <sup>(5)</sup>	30	μA	V <sub>cc</sub> = 2.0V to 5.5V <sup>(3)</sup>

### Notes for DC Electrical Characteristics

1. ICC is measured with all output pins disconnected; XTAL1 driven with TCLCH, TCHCL = 5 ns (see Figure 20. ), VIL = VSS + 0.5V, VIH = VCC - 0.5V; XTAL2 N.C.; EA = RST = Port 0 = VCC. ICC would be slightly higher if a crystal oscillator used (see Figure 19. ).
2. Idle ICC is measured with all output pins disconnected; XTAL1 driven with TCLCH, TCHCL = 5ns, VIL = VSS + 0.5V, VIH = VCC-0.5V; XTAL2 N.C.; Port 0 = VCC; EA = RST = VSS (see Figure 20. ).
3. Power Down ICC is measured with all output pins disconnected; EA = PORT 0 = VCC; XTAL2 NC.; RST = VSS (see Figure 21. ).
4. Capacitance loading on Ports 0 and 2 may cause spurious noise pulses to be superimposed on the VOLs of ALE and Ports 1 and 3. The noise is due to external bus capacitance discharging into the Port 0 and Port 2 pins when these pins make 1 to 0 transitions during bus operation. In the worst cases (capacitive loading 100pF), the noise pulse on the ALE line may exceed 0.45V with maxi VOL peak 0.6V. A Schmitt Trigger use is not necessary.
5. Typical values are based on a limited number of samples and are not guaranteed. The values listed are at room temperature and 5V.
6. Under steady state (non-transient) conditions, IOL must be externally limited as follows:
 

Maximum IOL per port pin:	10 mA
Maximum IOL per 8-bit port:	
Port 0:	26 mA
Ports 1, 2 and 3:	15 mA
Maximum total IOL for all output pins:	71 mA

 If IOL exceeds the test condition, VOL may exceed the related specification. Pins are not guaranteed to sink current greater than the listed test conditions.
7. For other values, please contact your sales office.

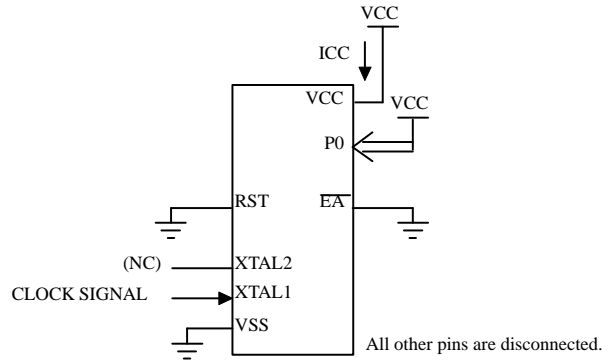


Figure 20. ICC Test Condition, Idle Mode.

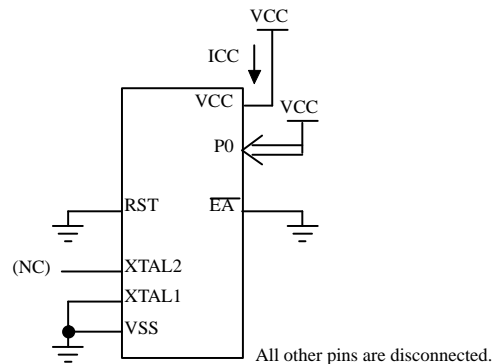


Figure 21. ICC Test Condition, Power Down Mode.

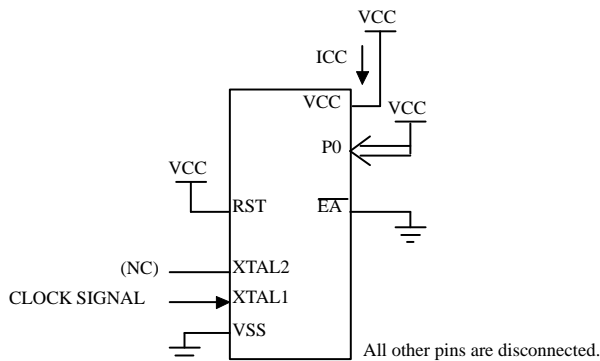
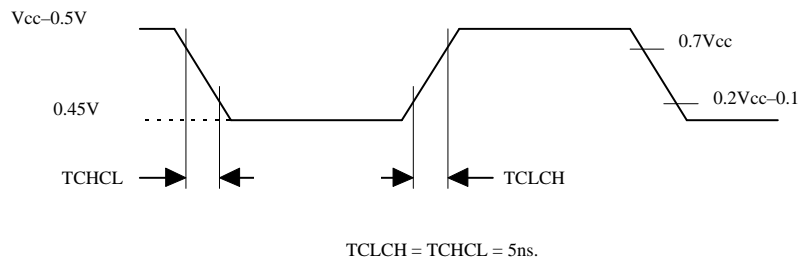


Figure 19. ICC Test Condition, Active Mode.



**Figure 22. Clock Signal Waveform for ICC Tests in Active and Idle Modes.**

## 8.2. Explanation Of The AC Symbol

Each timing symbol has 5 characters. The first character is always a “T” (stands for time). The other characters, depending on their positions, stand for the name of a signal or the logical status of that signal. The following is a list of all the characters and what they stand for.

Example:

TAVLL = Time for Address Valid to ALE low.

TLLPL = Time for ALE low to PSEN low.

A: Address.	Q: Output data.
C: Clock.	R: READ signal.
D: Input data.	T: Time.
H: Logic level HIGH.	V: Valid.
I: Instruction (Program memory contents).	W: WRITE signal.
L: Logic level LOW, or ALE.	X: No longer a valid logic level.
P: PSEN.	Z: Float.

## 8.3. AC Parameters

$T_A = 0$  to  $+70^\circ\text{C}$ ;  $V_{SS} = 0\text{V}$   $V_{CC} = 5\text{V} \pm 10\%$ ; 0 to 12MHz

(Load Capacitance for PORT 0, ALE and PSEN = 100pf; Load Capacitance for all other outputs = 80 pF.)

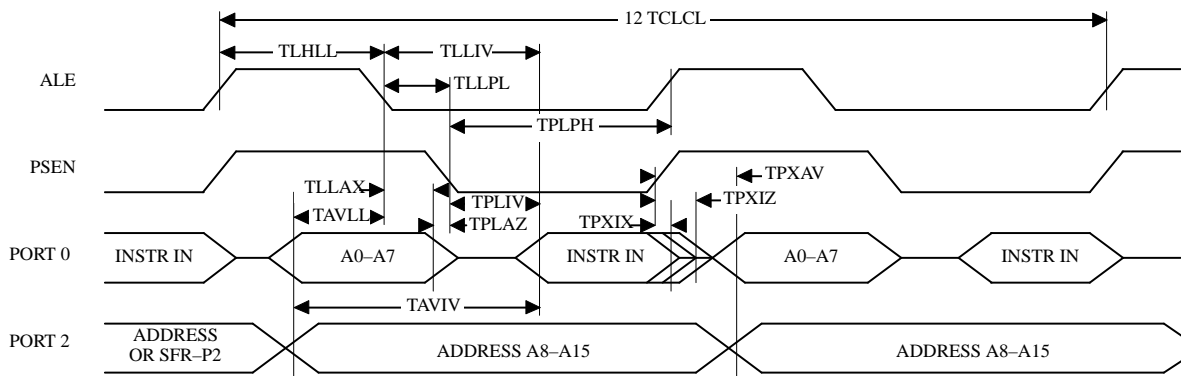
$T_A = -40^\circ\text{C}$  to  $+85^\circ\text{C}$ ;  $V_{SS} = 0\text{V}$ ;  $V_{CC} = 5\text{V} \pm 10\%$ ; F = 0 to 12MHz.

## 8.4. External Program Memory Characteristics

Symbol	Parameter	0 to 12MHz		Units
		Min	Max	
TLHLL	ALE pulse width	$2TCLCL - 40$		ns
TAVLL	Address Valid to ALE	$TCLCL - 40$		ns
TLLAX	Address Hold After ALE	$TCLCL - 30$		ns
TLLIV	ALE to Valid Instruction In		$4TCLCL - 100$	ns
TLLPL	ALE to PSEN	$TCLCL - 30$		ns
TPLPH	PSEN Pulse Width	$3TCLCL - 45$		ns
TPLIV	PSEN to Valid Instruction In		$3TCLCL - 105$	ns

Symbol	Parameter	0 to 12MHz		Units
		Min	Max	
TPXIX	Input Instruction Hold After PSEN	0		ns
TPXIZ	Input Instruction Float After PSEN		TCLCL - 25	ns
TPXAV	PSEN to Address Valid	TCLCL - 8		ns
TAVIV	Address to Valid Instruction In		5TCLCL - 105	ns
TPLAZ	PSEN Low to Address Float		10	ns

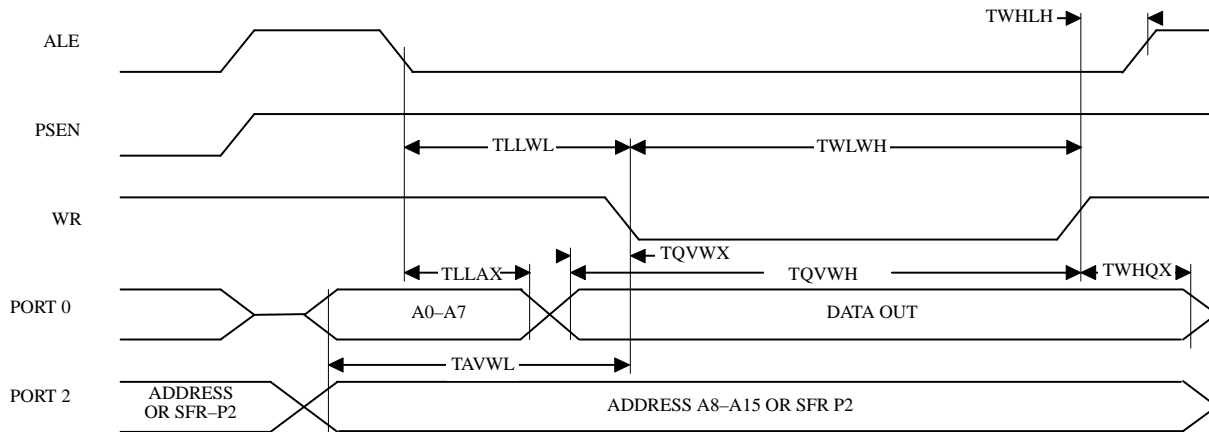
## 8.5. External Program Memory Read Cycle



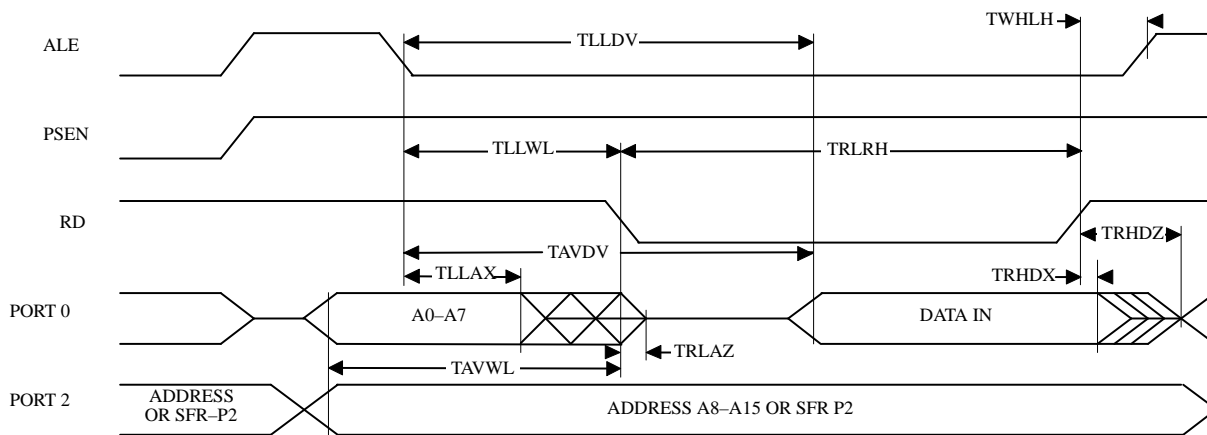
## 8.6. External Data Memory Characteristics

Symbol	Parameter	0 to 12MHz		Units
		Min	Max	
TRLRH	RD Pulse Width	6TCLCL-100		ns
TWLWH	WR Pulse Width	6TCLCL-100		ns
TRLDV	RD to Valid Data In		5TCLCL-165	ns
TRHDX	Data Hold After RD	0		ns
TRHDZ	Data Float After RD		2TCLCL-60	ns
TLLDV	ALE to Valid Data In		8TCLCL-150	ns
TAVDV	Address to Valid Data In		9TCLCL-165	ns
TLLWL	ALE to WR or RD	3TCLCL-50	3TCLCL+50	ns
TAVWL	Address to WR or RD	4TCLCL-130		ns
TQVWX	Data Valid to WR Transition	TCLCL-50		ns
TQVWH	Data set-up to WR High	7TCLCL-150		ns
TWHQX	Data Hold After WR	TCLCL-50		ns
TRLAZ	RD Low to Address Float		0	ns
TWHLH	RD or WR High to ALE high	TCLCL-40	TCLCL+40	ns

## 8.7. External Data Memory Write Cycle



## 8.8. External Data Memory Read Cycle

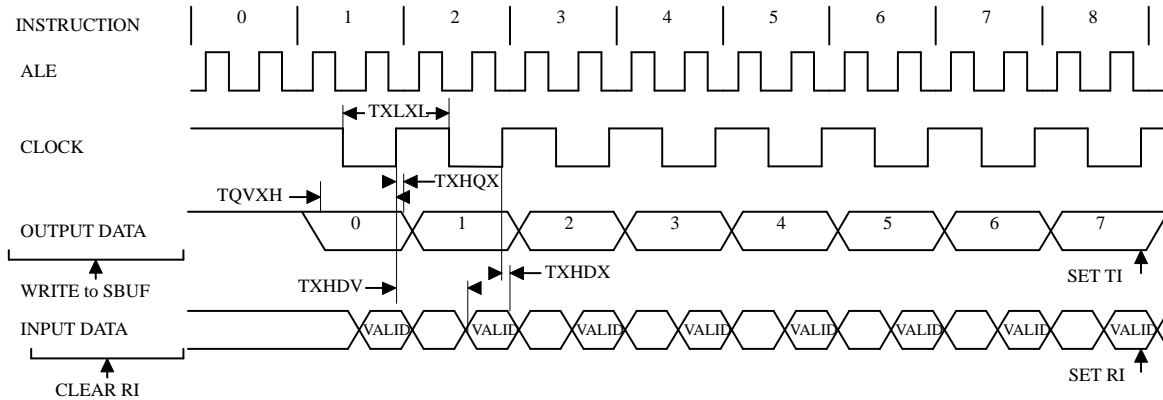


## 8.9. Serial Port Timing—Shift Register Mode

Symbol	Parameter	0 to 12MHz		Units
		Min	Max	
TXLXL	Serial port clock cycle time	12TCLCL		ns
TQVHX	Output data set-up to clock rising edge	10TCLCL-133		ns
TXHQX	Output data hold after clock rising edge	2TCLCL-117		ns
TXHDX	Input data hold after clock rising edge	0		ns
TXHDV	Clock rising edge to input data valid		10TCLCL-133	ns



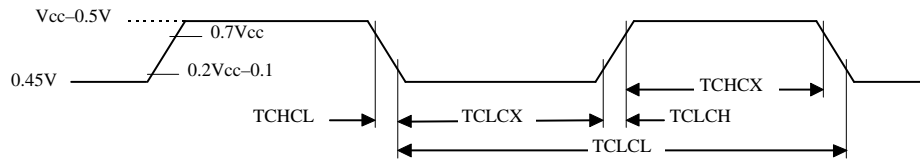
**8.10. Shift Register Timing Waveforms**



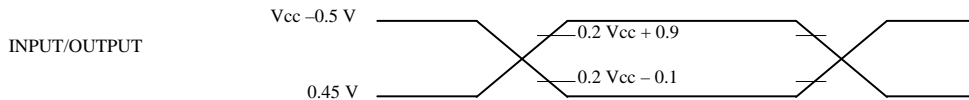
**8.11. External Clock Drive Characteristics (XTAL1)**

Symbol	Parameter	Min	Max	Units
TCLCL	Oscillator Period	83.3		ns
TCHCX	High Time	5		ns
TCLCX	Low Time	5		ns
TCLCH	Rise Time		5	ns
TCHCL	Fall Time		5	ns

**8.12. External Clock Drive Waveforms**

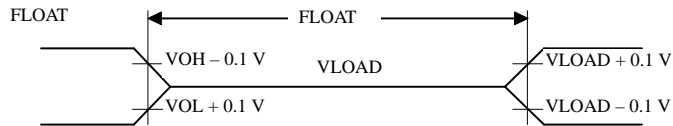


**8.13. AC Testing Input/Output Waveforms**



AC inputs during testing are driven at  $V_{CC} - 0.5$  for a logic "1" and  $0.45V$  for a logic "0". Timing measurement are made at  $V_{IH}$  min for a logic "1" and  $V_{IL}$  max for a logic "0".

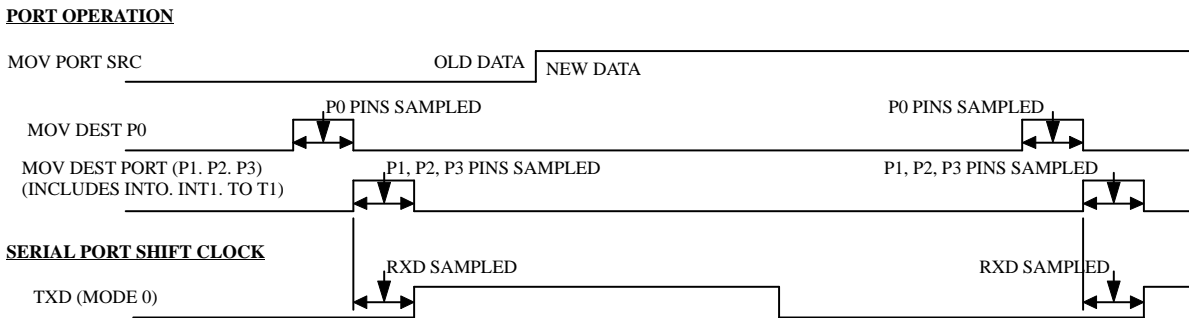
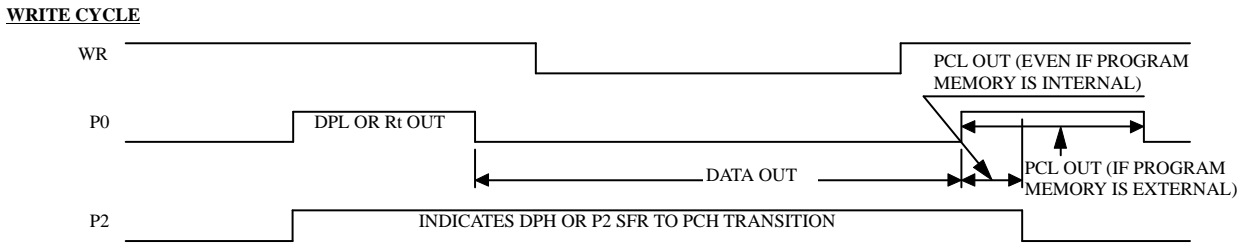
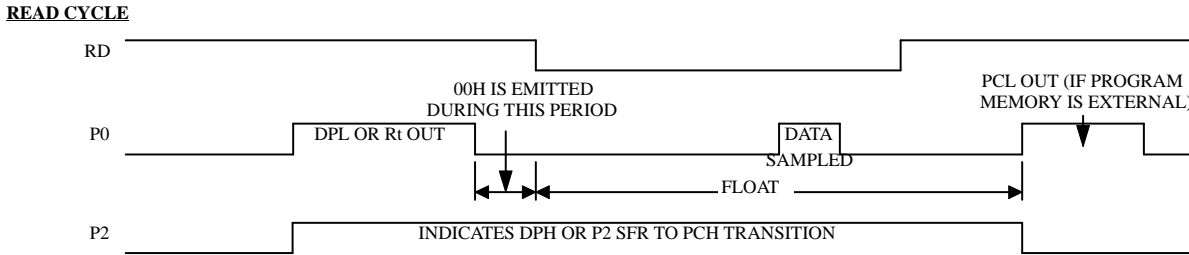
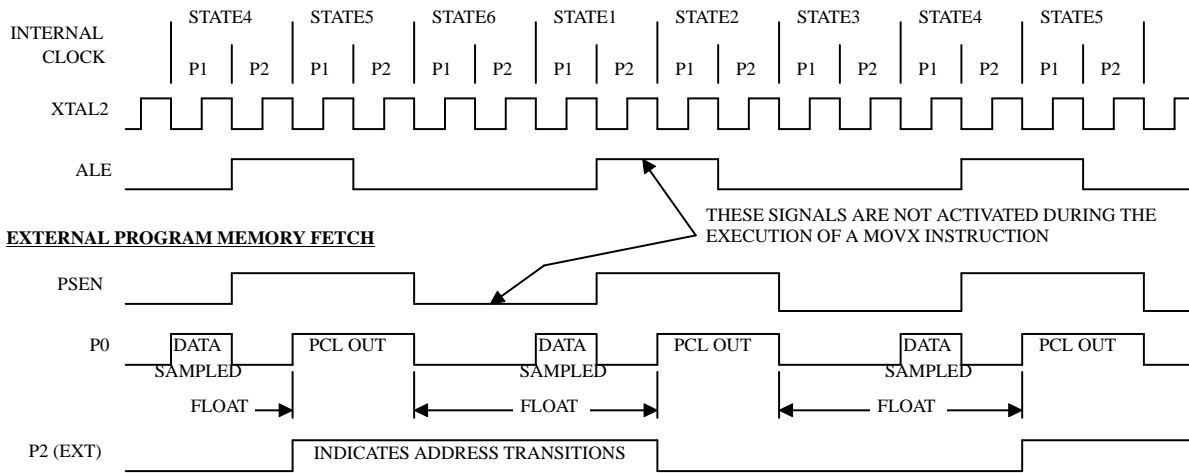
## 8.14. Float Waveforms



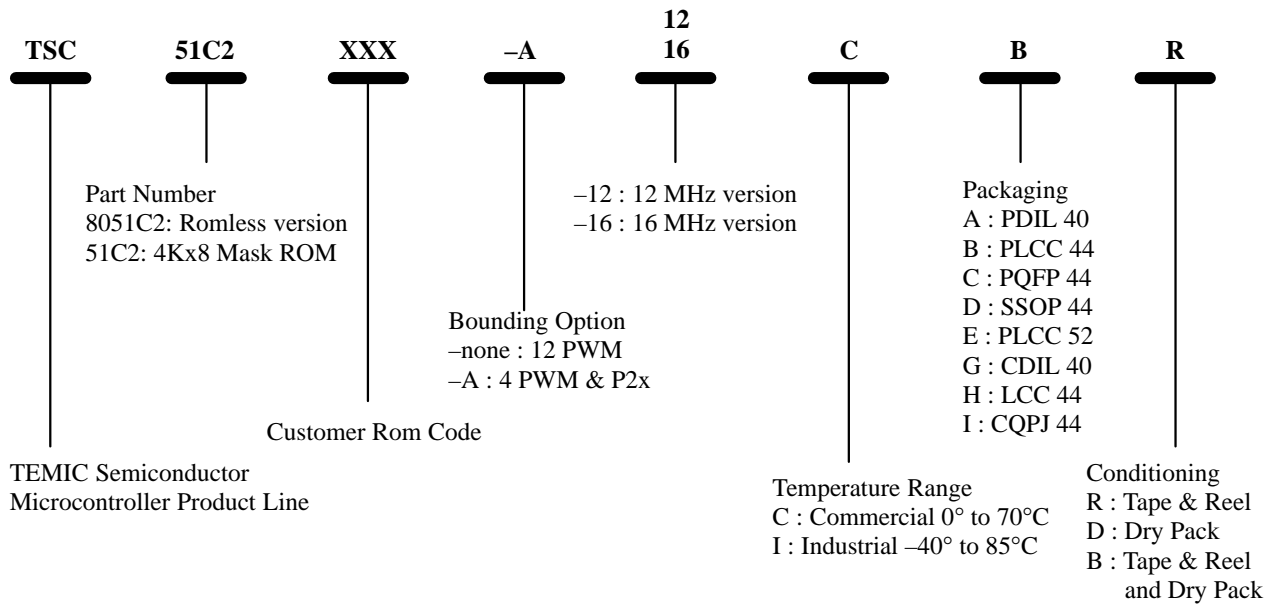
For timing purposes as port pin is no longer floating when a 100 mV change from load voltage occurs and begins to float when a 100 mV change from the loaded  $VOH/VOL$  level occurs.  $IOL/IOH \geq \pm 20\text{ mA}$ .

## 8.15. Clock Waveform

This diagram indicates when signals are clocked internally. The time it takes the signals to propagate to the pins, however, ranges from 25 to 125ns. This propagation delay is dependent on variables such as temperature and pin loading. Propagation also varies from output to output and component. Typically though ( $T_A=25^\circ\text{C}$  fully loaded)  $\overline{RD}$  and  $\overline{WR}$  propagation delays are approximately 50ns. The other signals are typically 85ns. Propagation delays are incorporated in the AC specifications.



## 9. Ordering Information



### Examples

Part Number	Description
TSC51C2XXX-12CA	Mask ROM XXX, 12 MHz, PDIL 40, 0 to 70°C
TSC8051C2-16CER	ROMless, 16 MHz, PLCC 52, 0 to 70°C, Tape and Reel

### Development Tools

Reference	Description
ANM059	Application Note: "How to recognize video mode and generate free running synchronization signals using TSC8051C1/C2 Microcontroller"
IM-80C51-RB-400-40	Emulator Base
PC-TSC8051C1-RB-16	Probe card for TSC8051C1. These products are released by Metalink. Please consult the local tools distributor or your sales office.

### Product Marking :

TEMIC Customer P/N Temic P/N © Intel 80, 82 YYWW Lot Number
---