

TSS400-S1

μPOWER PROGRAMMABLE HIGH-PRECISION SENSOR SIGNAL PROCESSOR

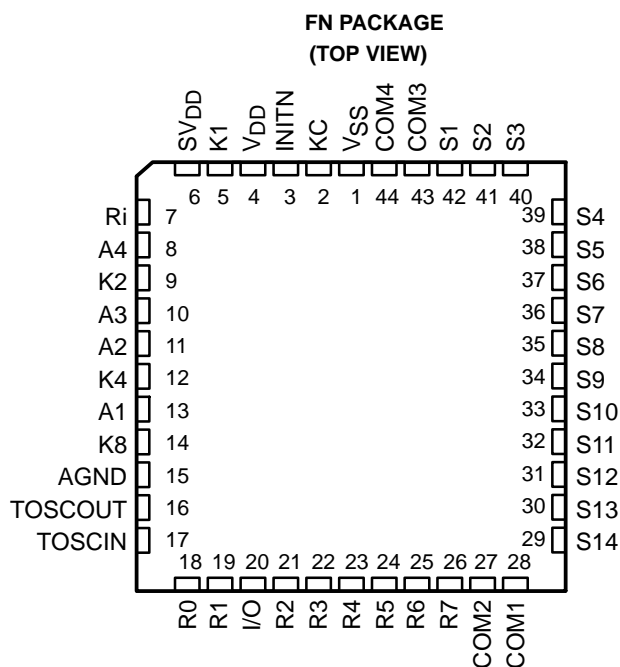
SLMS001 – D4071, JANUARY 1993

- 12-Bit ADC With 4-Multiplexed Inputs
- Wide Supply Voltage Range
2.6 V to 5.5 V
- Low Power Consumption Typical at $V_{DD} = 3\text{ V}$
 - 0.1 μA in OFF Mode
 - 4 μA in DONE Mode
 - 80 μA in ACTIVE Mode Without A/D Conversions
 - 300 μA in ACTIVE Mode With A/D Conversions
- Onboard 4-MUX 56-Segment LCD Driver
- Onboard Ratiometric Current Source Programmable From $0.15\text{ mA} \times (SV_{DD}/V)$ to $2.4\text{ mA} \times (SV_{DD}/V)$
- Two Independent Crystal Controlled Timers (32.768 kHz)
- Internal MOS Oscillator Serves as System Clock
- Programmable Microcontroller
- Simple and Easy Programming With SMPL™ Macro Language

description

The TSS400 Standard (TSS400-S1) sensor signal processor is an ultra-low power, intelligent, 12-bit A/D converter (ADC) that has been preprogrammed with the Sensor Macro Programming Language (SMPL™) interpreter. This language allows fast, easy, and economical customization of the TSS400-S1 to a wide range of sensor signal processing applications. The application specific programs that customize the operation of the TSS400-S1 are stored in external EEPROMs along with any additional data required by the application. The main components of the TSS400-S1 are a four-input multiplexed 12-bit ADC, a programmable constant current source, an LCD driver capable of driving 56 segments using a 4-MUX drive scheme, two crystal controlled independent timers, an on-board RAM, six output-only pins (R1 to R6), a 4-bit programmable I/O port (K1, K2, K4, K8), and I²C serial EEPROM communications. Operation of the TSS400-S1 is very adaptive because it is controlled by a SMPL language program. These programs can be stored in an external EEPROM (standalone mode) or stored in a host computer (slave mode). The SMPL language is a powerful, easy to learn, and easy to use macro language. Some of the SMPL language features are single-command EEPROM read and EEPROM write operations, three levels of subroutines, a single-command A/D conversion instruction that specifies the number of conversions and the type of conversion (either compensated or noncompensated) to be made, and two reduced power consumption modes (DONE and OFF).

AVAILABLE OPTIONS	
T_A	PACKAGE
	44-PIN PLCC (FN)
0°C to 70°C	TSS400CFN-S1
-40°C to 125°C	TSS400AFN-S1



SMPL is a trademark of Texas Instruments Incorporated.

PRODUCTION DATA information is current as of publication date. Products conform to specifications per the terms of Texas Instruments standard warranty. Production processing does not necessarily include testing of all parameters.



POST OFFICE BOX 655303 • DALLAS, TEXAS 75265

Copyright © 1993, Texas Instruments Incorporated

TSS400-S1
μPOWER PROGRAMMABLE HIGH-PRECISION
SENSOR SIGNAL PROCESSOR

SLMS001 – D4071, JANUARY 1993

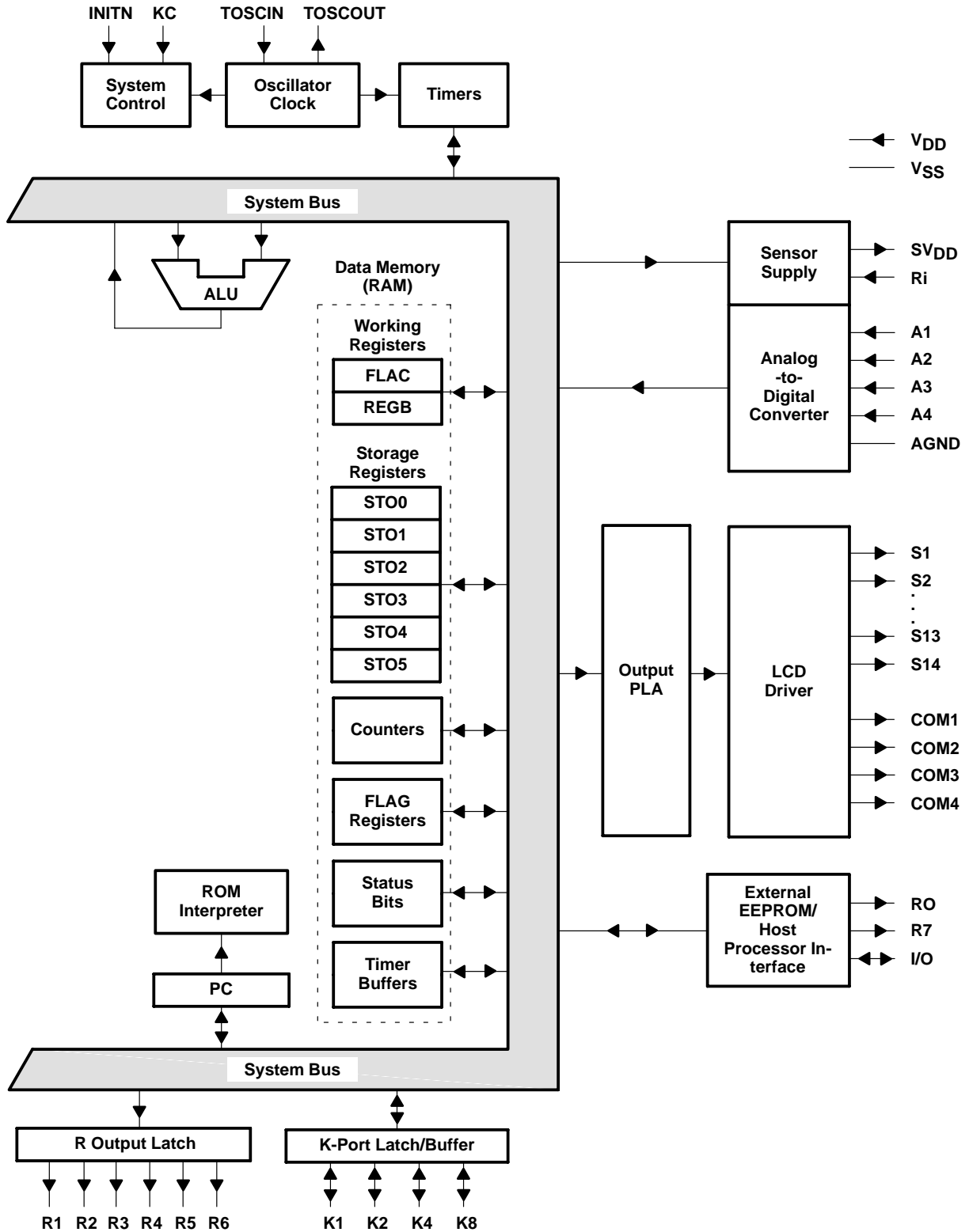
Terminal Functions

SIGNAL NAME	PIN NUMBER	I/O	DESCRIPTION
A1, A2, A3, A4	13, 11, 10, 8	I	Analog input for the ADC
AGND	15		Analog ground
COM1, COM2, COM3, COM4	28, 27, 43, 44	O	LCD commons
I/O	20	I/O	Communication input/output
INITN	3	I	Initialization. INITN is normally tied to V _{DD} and held high. If INITN is held low for more than 10 μs, the TSS400-S1 will begin a warm start.
K1, K2, K4, K8	5, 9, 12, 14	I/O	4-bit programmable input/output port
KC	2		Test. This pin must be tied to V _{SS} during normal operation.
R0†	18	O	EEPROM clock. Controls the EEPROM clock.
R1, R2, R3, R4, R5, R6	19, 21, 22, 23, 24, 25	O	Digital outputs
R7†	26	O	Controls EEPROM power switch
Ri	7		Current source (programming resistor connection)
S1 — S14	42 — 29	O	LCD segments
SVDD	6		Switchable V _{DD}
TOSCIN	17	I	Oscillator input. Input connection for crystal oscillator (32.768 kHz).
TOSCOUT	16	O	Oscillator output. Output connection for crystal oscillator (32.768 kHz).
V _{DD}	4		Power supply
V _{SS}	1		Ground

† Not directly accessible by the user's program.



functional block diagram



TSS400-S1

μPOWER PROGRAMMABLE HIGH-PRECISION SENSOR SIGNAL PROCESSOR

SLMS001 – D4071, JANUARY 1993

description (continued)

The TSS400-S1 is designed to meet a wide variety of sensor systems applications including those that require short time-to-market and rapid and/or frequent programming updates. Since the TSS400-S1 does not require mask programming, it can be purchased in any quantity. Some typical applications include:

- measurements of temperature, pressure, acceleration, gas content, magnetic field, relative humidity, speed, direction, and volume
- measurements requiring calculation, control, and/or warning functions
- measurements where temperature compensation is required for accuracy
- measurements where software calibration and linearization is desirable

These sensor systems can be found in many types of applications including home appliances, industrial control subsystems, HVAC systems and instrumentation, portable instrumentation, consumer products, automotive products, or anywhere precise (12-bit), ultra-low power (12 μ A – 15 μ A, TYP), intelligent A/D conversion is essential.

The TSS400-S1 is available in two temperature ranges. The TSS400CFN-S1 is characterized for operation from 0°C to 70°C. The TSS400AFN-S1 is characterized for operation from –40°C to 125°C.

initialization and power up

Initialization is started by hardware in two ways:

- Power up: The voltage V_{DD} is switched on (cold start). The CPU starts to work at PC 000 after the internal oscillator has started operation. This may take from 1 to 6 seconds.
- INITN pin: If the INITN pin is held low (switched to ground) for more than 10 μ s (when this occurs during program execution it is called a warm start). The CPU starts operation at PC 000 when the INITN pin is released to V_{DD} potential.

Table 1 lists the TSS400-S1 register contents after a power up or an INITN pin initialization.

Table 1. Register Contents

REGISTER	POWER UP (COLD START)	INITN PIN (WARM START)
Program Counter (PC)	000	000
Status bits POS, NEG, and ZERO	undefined	unchanged
RAM contents †	reset to 0	unchanged
Digit Latches (DLn)	reset to 0	reset to 0
K-Line's Latches Contents	undefined	unchanged
Timers	0	unchanged
ADC Voltage SV_{DD}	switched off	switched off
LCD Segment Latches	undefined	unchanged
Subroutine Stack	level 0	level 0

† Despite the RAM remaining unchanged during a warm start, the memory addressed when INITN is activated may be destroyed by a write cycle.

initialization and power up (continued)

If the TSS400-S1 system is battery powered and contains calibration factors or other important data in RAM, it is advisable to distinguish between cold start and warm start. The reason is the possibility of initializations caused by electromagnetic inductance (EMI). If such an erroneous initialization is not tested for legality, EMI influence could destroy the RAM contents by clearing the RAM with the initialization software routine. The TSS400-S1 compares two reserved RAM nibbles to see if they contain A5₁₆ after each initialization:

- If the RAM nibbles contain the expected information (A5₁₆), initialization continues at PC 000. The RAM contents are not changed. This means that a spurious signal caused the initialization (warm start).
- If the RAM nibbles differ from A5₁₆, the RAM is cleared and the program continues at PC 000. This means that the TSS400-S1 supply voltage was switched on (cold start).

The short timer and the long timer are not stopped by a warm start. This means that they remain active and must be stopped by a STPTIMx instruction, if necessary.

operating conditions

The TSS400-S1 has four different modes of operation: OFF, DONE, ACTIVE without A/D conversion, and ACTIVE with A/D conversion. The OFF mode conserves the most power. In this mode, only the RAM and the outputs (I/O, R outputs, and K lines) are maintained. The TSS400-S1 enters OFF mode with a software command and is awakened via the K lines or by initialization. Table 2 lists the conditions needed for the K lines to awaken the processor.

Table 2. K-Line Wake-Up Conditions

DL15	K8	.AND.	K4	.AND.	K2	.AND.	K1	CONDITION
0	0	.AND.	0	.AND.	0	.AND.	0	condition before wake up
1	1	.OR.	1	.OR.	1	.OR.	1	condition to wake up processor
0	1	.AND.	0	.AND.	0	.AND.	0	condition before wake up
1	0	.OR.	1	.OR.	1	.OR.	1	condition to wake up processor

The DONE mode is also a low-power mode. In the DONE mode, the RAM, the outputs, and the display are maintained and the timekeeping circuits remain active. The device enters DONE mode with a software command and is awakened via the K lines, initialization, or with a wake up by internal timers.

When the TSS400-S1 is executing instructions, it is in the ACTIVE mode. This mode can be broken into two separate states; with A/D conversion and without A/D conversion. All portions of the TSS400-S1 are fully operational in the ACTIVE with A/D conversion mode, only the A/D conversion circuitry is powered down in the ACTIVE without A/D conversion mode. See Figure 1 for a state diagram of the TSS400-S1 operational modes.

TSS400-S1
μPOWER PROGRAMMABLE HIGH-PRECISION
SENSOR SIGNAL PROCESSOR

SLMS001 – D4071, JANUARY 1993

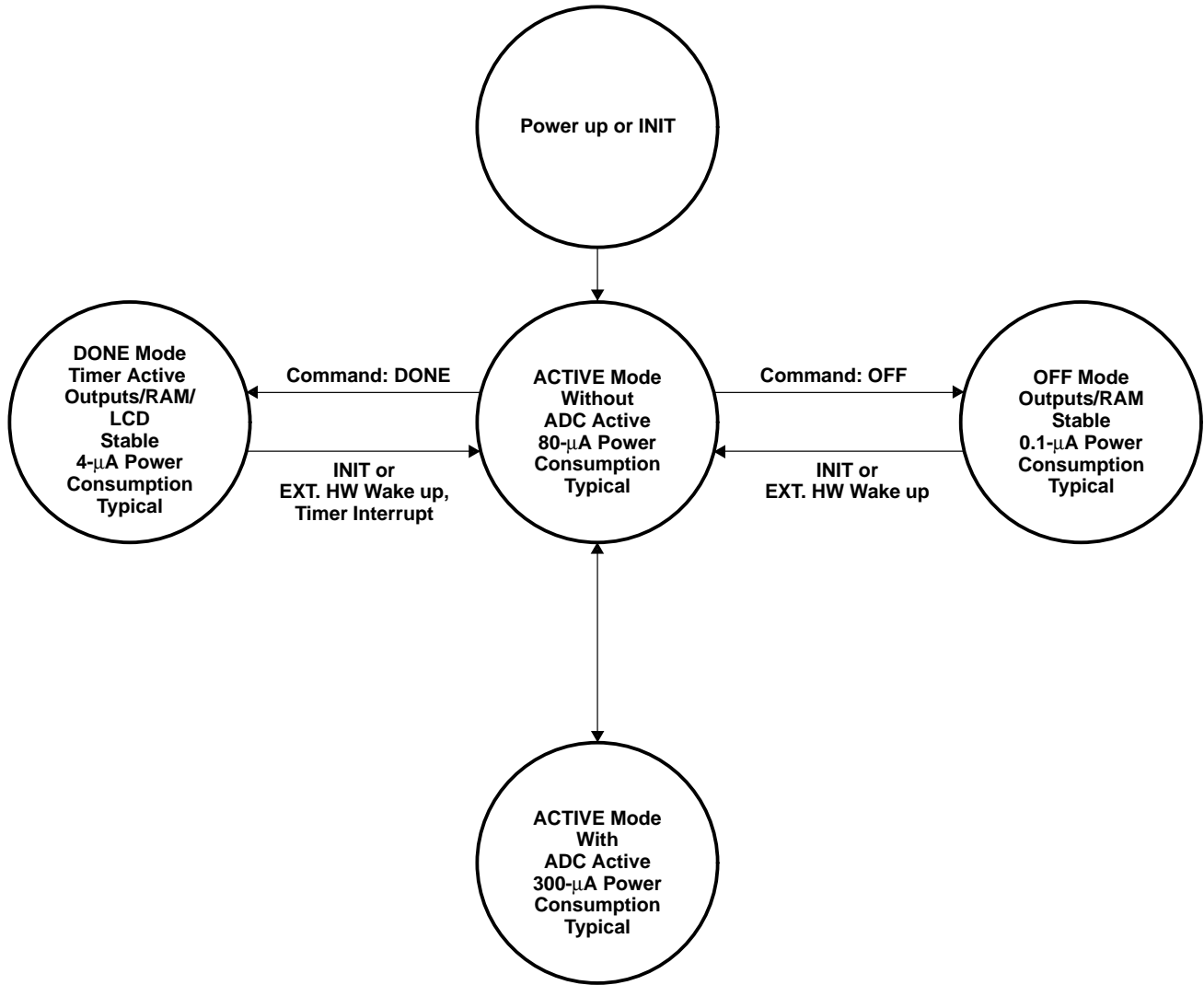


Figure 1. State Diagram for TSS400-S1 Operational Modes

analog-to-digital converter (ADC) (see Figure 2)

The TSS400-S1 offers a 12-bit ratiometric successive approximation ADC. Sensors are interfaced to this converter via the 4-multiplexed (4-MUX) analog inputs (A1 – A4). The analog conversion operation is executed with the MEASR instruction. The SMPL interpreter automatically switches the internal digit latches DL9, DL10, and DL11 such that the ADC is connected to the analog input line specified by the MEASR operand. Table 3 lists the instructions required to access all four analog inputs.

Table 3. Instructions Required to Access Analog Inputs

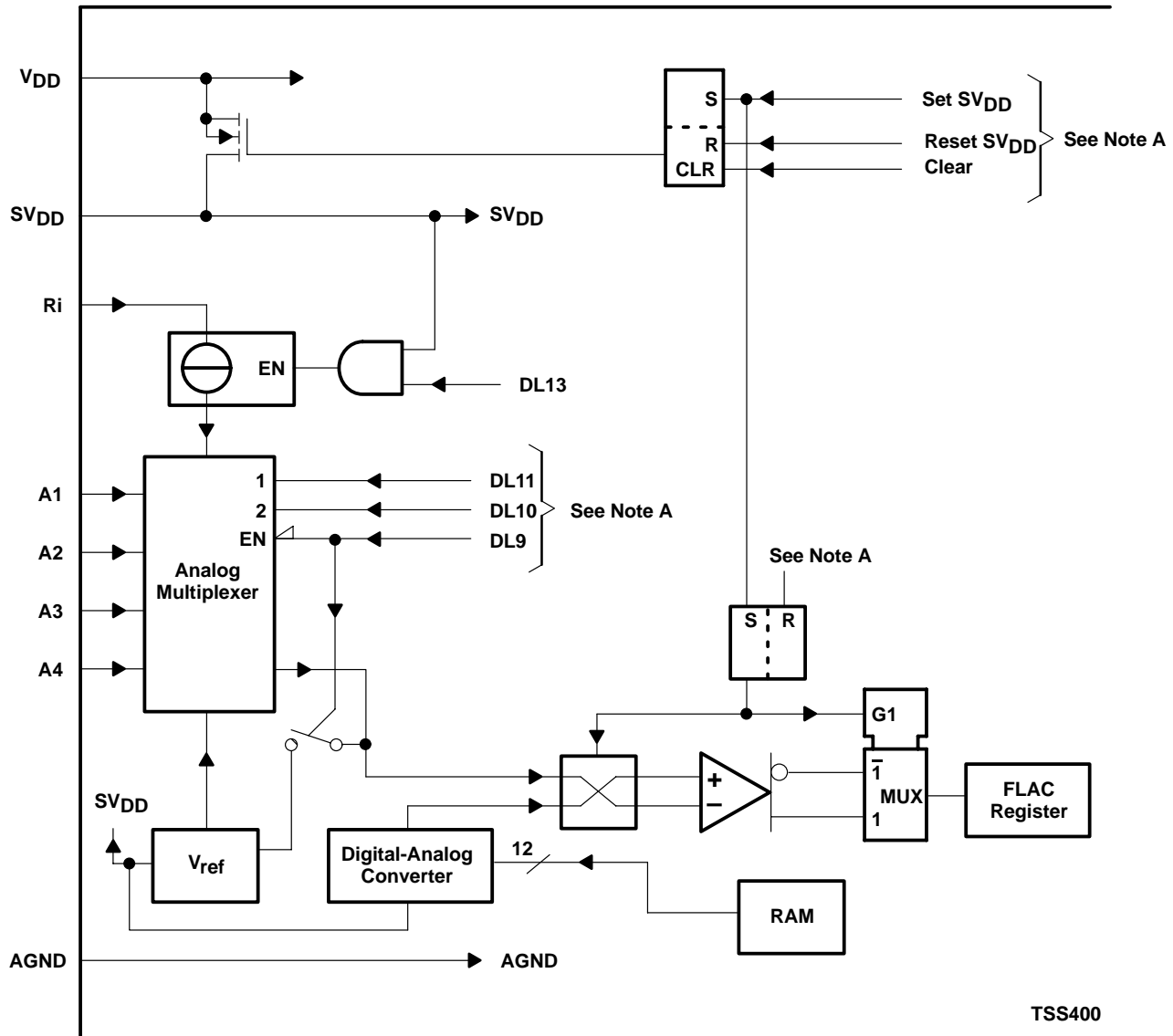
INSTRUCTION	OPERAND	DL9	DL10	DL11	ACTION
MEASR	0	0	1	0	Connect A1 to the ADC
MEASR	1	0	0	0	Connect A2 to the ADC
MEASR	2	0	1	1	Connect A3 to the ADC
MEASR	3	0	0	1	Connect A4 to the ADC
CHKBATT	X	1	X	X	Check current supply voltage against value in FLAC
ADJBATT	X	1	X	X	Set minimum supply voltage point

The interpreter automatically switches on the switched-sensor supply voltage (SV_{DD}) just prior to making the A/D conversion and switches it off immediately after the conversion is complete. The MEASR instruction is followed by a BYTE instruction. The operand of the BYTE instruction specifies the number of conversions to be made and whether the conversions are to be compensated or noncompensated. A noncompensated measurement is a single A/D conversion. A compensated measurement is defined as a measurement where two conversions are made, one conversion with the ADC comparator connected normally and the other conversion with the comparator inputs reversed. The two results are added together so any comparator offsets cancel. The interpreter automatically takes care of all required switching to perform the specified type of conversion.

Absolute measurements are possible if SV_{DD} is held constant. This requires a stable V_{DD} during the conversion and constant loading of SV_{DD} . The ADC measures the ratio of the input voltage at the analog input (V_{DD}) to the switched-sensor supply voltage (SV_{DD}) and not absolute voltages. This ensures that the measurement of the sensors is independent of the supply voltage.

TSS400-S1
μPOWER PROGRAMMABLE HIGH-PRECISION
SENSOR SIGNAL PROCESSOR

SLMS001 – D4071, JANUARY 1993



NOTE A: These signals are automatically controlled by the interpreter during A/D conversion.

Figure 2. ADC Functional Block Diagram

measurement range and conversion formulas

The analog input range is the same for all four analog outputs, A1 to A4. The nominal properties of the ADC range and the equations associated with them are listed below:

$$V_I = (A + B \times N) \times SV_{DD}$$

where

V_I = unknown analog input voltage

A = converter count for $V_I = 0$

= 0.1012113203 for the TSS400-S1

B = delta in $\mu V/SV_{DD}$ for a 1-bit difference in conversion result

= 0.000096090233 for the TSS400-S1

N = A/D conversion result for a single measurement

SV_{DD} = Switched sensor supply voltage

For the TSS400-S1, the analog input voltage is:

$$V_I = (0.1012113203 + 0.000096090233 \times N) \times SV_{DD}$$

For multiple measurements, the V_I equation becomes:

$$V_I = \left(A + \frac{B \times N}{M} \right) \times SV_{DD}$$

$$= \frac{(0.1012113203 \times SV_{DD}) + (0.000096090233 \times N \times SV_{DD})}{M}$$

where M = the number of measurements taken

Since a conversion result of 0 is used to indicate an under-range input and FFF_{16} is used to indicate an over-range input, the allowable range for N (in a single measurement) is:

$$1_{16} \leq N \leq FFF_{16}$$

or in decimal format:

$$1 \leq N \leq 4094$$

The minimum measurable analog input voltage to SV_{DD} ratio is:

$$V_{Imin} = \frac{V_I}{SV_{DD}} \text{ when } N = 1$$

$$= \frac{(0.1012113203 + 0.00009609023) \times SV_{DD}}{SV_{DD}}$$

$$= 0.101309$$

The maximum measurable analog input voltage to SV_{DD} ratio is:

$$V_{Imax} = \frac{V_I}{SV_{DD}} \text{ when } N = 4094$$

$$= \frac{(0.1012113203 + 0.000096090233 \times 4094) \times SV_{DD}}{SV_{DD}}$$

$$= 0.494605$$

So the allowable analog input voltage range for V_I is:

$$0.101307 \times SV_{DD} \leq V_I \leq 0.494605 \times SV_{DD}$$

If the input voltage is below the lower limit, V_{Imin} , the value 000_{16} is returned. If the input voltage is above the upper limit, V_{Imax} , the value FFF_{16} is returned. The NEG status bit is set in both cases. The ZERO status bit is set if 000_{16} is returned.

battery check

Since the TSS400-S1 is ideal for battery applications, an internal supply voltage check is available. This operation is executed by the instructions ADJBATT and CHKBATT. ADJBATT measures the internal reference voltage and puts the results in the FLAC register. By setting the supply voltage at a minimum acceptable level and executing the ADJBATT instruction, a representative value will be placed in the FLAC register. Saving this number in a storage register or EEPROM location will enable it to be recalled for use by the CHKBATT instruction when the current supply voltage needs to be checked against the preset acceptable minimum. To perform these operations, an internal stable reference is connected to the input of the ADC and a measurement is made. Due to the ratiometric nature of the conversion, the measured value is an indication of the TSS400-S1 supply voltage. The ADJBATT instruction performs this operation and stores the result in the FLAC register. The CHKBATT instruction performs the same operation, but compares the resulting measurement to the number in the FLAC register and sets the positive (POS) and negative (NEG) status bits according to the result.

programmable current source

A switchable ratiometric (to SV_{DD}) current source is available for supplying a fixed amount of current to the analog sensors. When turned on, the current source sends a constant current out of the addressed analog input (A_n). The voltage generated by the external sensor is measured with the same A_n input. The voltage used for A/D conversions and the reference voltage (V_{ref}) used to set the current of the current source are both proportional to SV_{DD} and have a fixed ratio to each other. This ensures optimum tracking. The current source is activated by digit latch DL13. When DL13 is set to 1 and SV_{DD} is on, the current source is on. When DL13 is set to 0, the current source is off. Figure 3 shows a diagram of the programmable current source.

The current I is programmed by an external resistor R_{ext} , which is connected between SV_{DD} and R_i . This current is given by the following equation:

$$I_{An} = \frac{V_{R_{ext}}}{R_{ext}}$$

$V_{R_{ext}}$ is approximately $0.24 \times SV_{DD}$

The programmable current range that the current source can supply to the ADC input is:
 0.15 mA to $2.4 \text{ mA} \times (SV_{DD}/V)$

$$V_I = I_{An} \times R_I$$

with $R_I = \text{Sensor Resistance}$

$$V_I = V_{R_{ext}} \times \frac{R_I}{R_{ext}}$$

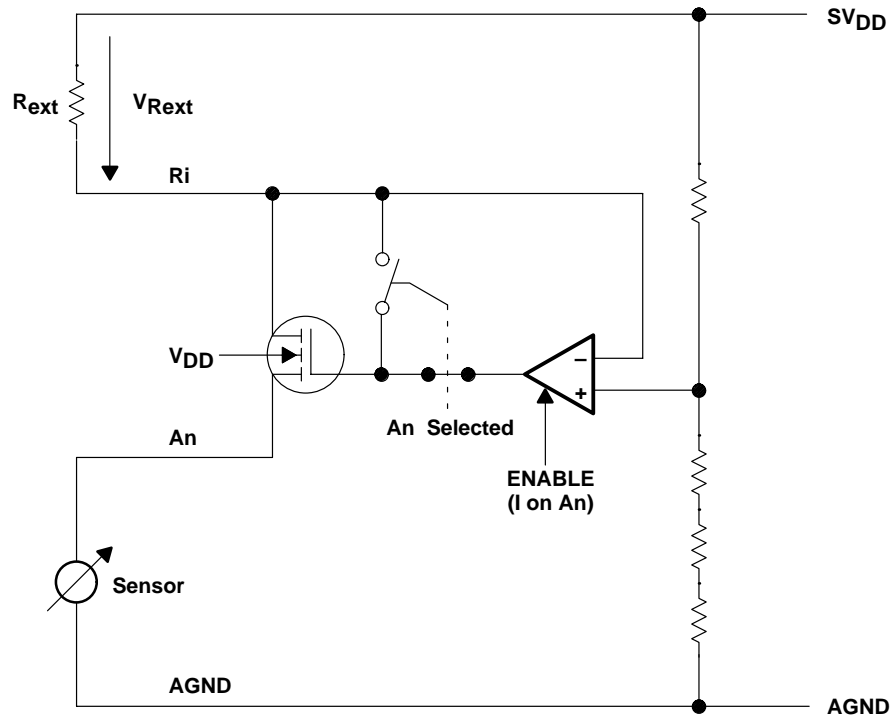


Figure 3. Programmable Current Source Diagram

timers

There are two independent crystal-controlled timers available on the TSS400-S1. The required crystal is a 32.768 kHz crystal. This allows very accurate time measurements and clock functions to be performed. These timers function at 1 Hz and 16 Hz and can be used as a wake-up signal from the DONE mode of operation in addition to the other timing functions. The crystal is also used to control the LCD driver circuitry.

counters

Two decimal counters, Counter 1 and Counter 2, are available for use on the TSS400-S1. The individual counters range from 0 to 99 or they can be cascaded together for a range of 0 to 9999. Counter 1 is the least significant part of the combined counter. After the counters are incremented or decremented, the ZERO status bit is set when the counter reaches zero or reset if counter is not zero.

EEPROM addressing

The TSS400-S1 interpreter reads each SMPL instruction from the external EEPROM using the I²C serial communications, interprets the opcode, and performs the required operation. A TSS400-S1 complete system requires two devices (plus sensors) for a minimum configuration (the TSS400-S1 and an EEPROM). The TSS400-S1 interpreter uses the 11-bit wide program counter (PC) to address up to 2K-bytes of EEPROM (the maximum length for a user's program). Table 4 lists the hardware addresses of the four EEPROMs as defined by the logic levels of pins A1 and A2.

Table 4. EEPROM Hardware Addresses

EEPROM PINS		ADDRESS SPACE
A2	A1	
0	0	0 — 511 (0 ₁₆ — 1FF ₁₆)
0	1	512 — 1023 (200 ₁₆ — 3FF ₁₆)
1	0	1024 — 1535 (400 ₁₆ — 5FF ₁₆)
1	1	1536 — 2047 (600 ₁₆ — 7FF ₁₆)

Figure 4 shows the TSS400-S1, two EEPROMs, a 32.768-kHz crystal, and a 7-digit LCD connected in a typical system configuration.

TSS400-S1

μPOWER PROGRAMMABLE HIGH-PRECISION SENSOR SIGNAL PROCESSOR

SLMS001 – D4071, JANUARY 1993

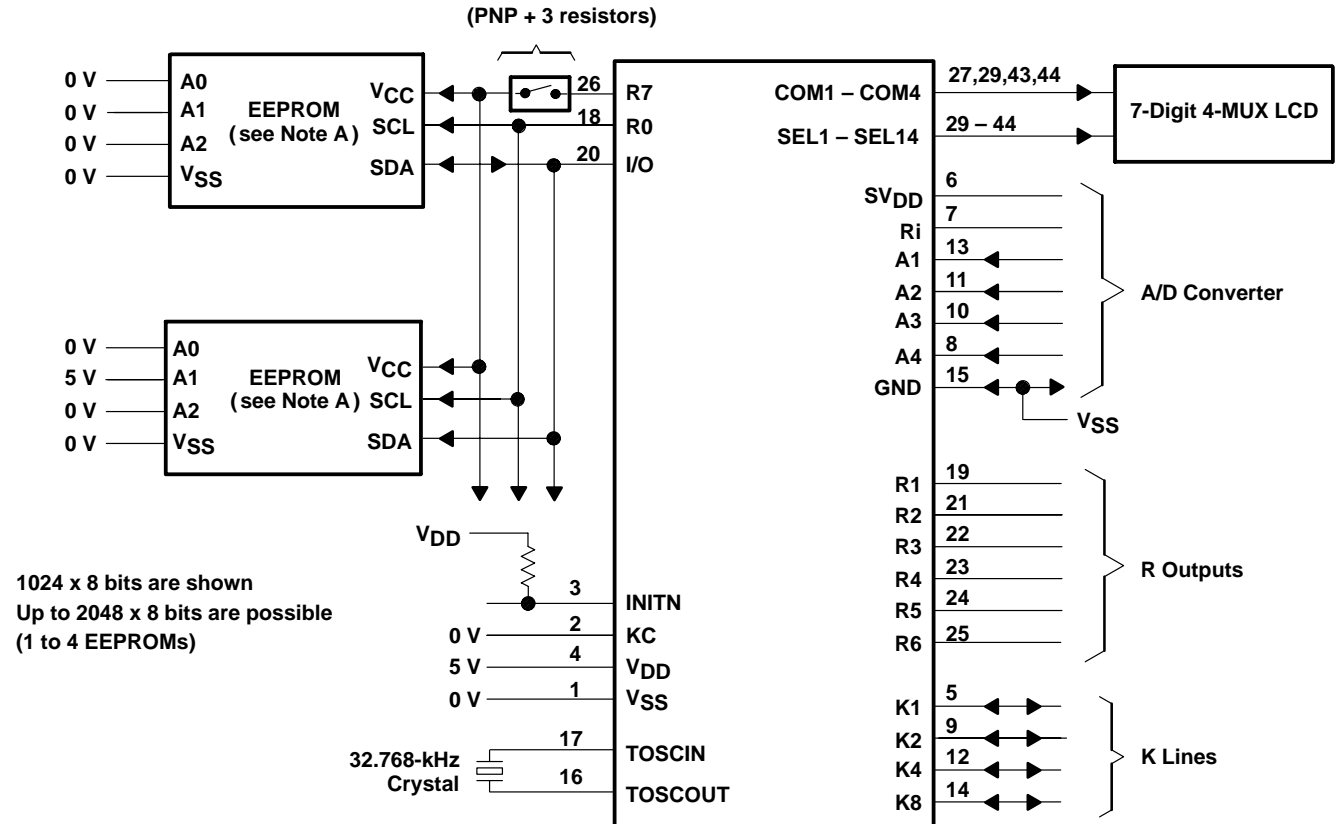


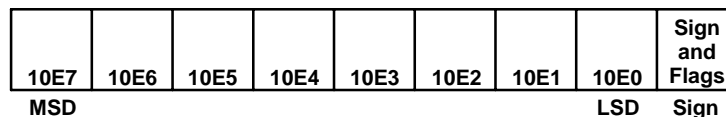
Figure 4. Typical System Configuration

RAM usage

The TSS400-S1 RAM is organized into several registers. Some of these registers are used for system purposes and some are available to the user. These available registers and their usages are described in the following sections.

FLAC register

The FLAC register is the main working register of the TSS400-S1. It consists of 8 nibbles for the number, 1 nibble for the sign, and two flags that are used internally by arithmetic routines. The sign bit is set to zero for positive numbers and one for negative numbers. The following diagram shows the format of the FLAC register:



The FLAC register is used for:

- receiving the results of an A/D conversion
- storing the results of all arithmetic and logic operations
- holding the first operand for arithmetic and logic operations
- containing the result of a hexadecimal to decimal conversion
- holding the information for transfer to the EEPROM
- holding the information to be displayed on the LCD

REGB register

The REGB register is the second working register. It consists of 8 nibbles for the number and 1 nibble for the sign. The format of the REGB register is the same as the FLAC register. The REGB register is used for:

- holding the second operand for arithmetic and logic operations
- holding the constants read from the EEPROM
- holding the contents after transfers from the counters

storage registers

The TSS400-S1 has six general-purpose storage registers. These storage registers have the same format as the FLAC register, each with 8 nibbles for the number and 1 nibble for the sign. These storage registers are addressable by using the names STO0 to STO5. Use of the STO0 register is restricted since it is also used by the device during multiplication, division, and hexadecimal-to-decimal conversions. After multiplication and hexadecimal-to-decimal conversion operations, the contents of STO0 are set to 0 and after a division STO0 contains the remainder of the operation. This remainder can be used in conversions (e.g., minutes to hours).

flag registers

Two general-purpose flag register groups, each with 16 flags, have been set aside. They are named Group 1 and Group 2. The selection of the groups is made with the SMPL instructions SELGRP1 and SELGRP2. The group selected is in use until the other group is selected. Each of the 16 flags in each group may be set, reset, and tested. The contents of the flags can then be used to control the program flow, define the action of jumps, indicate errors in hardware function, and any other user defined purpose. The use of some of the flags is restricted since their operation has been predefined. Table 5 lists the assigned use of each flag.

Table 5. Flag Assignment

GROUP 1 FLAGS				GROUP 2 FLAGS			
FLAG	DEFINITION	FLAG	DEFINITION	FLAG	DEFINITION	FLAG	DEFINITION
0	Arbitrary	8	Arbitrary	0	Arbitrary	8	Arbitrary
1	Seg. H1 information	9	Arbitrary	1	Arbitrary	9	Arbitrary
2	Seg. H2 information	10	Long Timer	2	Arbitrary	10	Arbitrary
3	Seg. H3 information	11	Short Timer	3	Arbitrary	11	Arbitrary
4	Seg. H4 information	12	K1 Buffer	4	Arbitrary	12	Arbitrary
5	Seg. H5 information	13	K2 Buffer	5	Arbitrary	13	Arbitrary
6	Seg. H6 information	14	K4 Buffer	6	Arbitrary	14	Arbitrary
7	Seg. H7 information	15	K8 Buffer	7	Arbitrary	15	Arbitrary

R outputs and digit latches

Outputs R1 through R6 are available as general-purpose outputs. They can be used for scanning keyboards or switches, for controlling relays, lamps, LCDs, etc., or for digital communications using buffers, multiplexers, etc. as required by the designer. The R0 and R7 outputs cannot be addressed by the software. They are used by the interpreter when the EEPROM reads or writes are performed. R0 performs as the clock connection and R7 switches the supply voltage to the EEPROM as required to conserve system power.

The TSS400-S1 contains 14 one-bit digit latches (DL0 through DL13) that (except for DL0 and DL7) can be set and reset independently with software. These digit latches can be separated into two distinct groups, those with external outputs (DL0 through DL7) and those without external outputs (DL8 through DL13).

The digit latches without external outputs (DL8 through DL13) each control a unique hardware function. Table 6 gives the digit-latch names and the hardware functions they control.

TSS400-S1
μPOWER PROGRAMMABLE HIGH-PRECISION
SENSOR SIGNAL PROCESSOR

SLMS001 – D4071, JANUARY 1993

Table 6. Digit Latch Names and Hardware Functions

DIGIT LATCH	HARDWARE FUNCTION			
DL0	Not user addressable (R0), clock for EEPROM			
DL1 — DL6	6 R outputs (R1–R6) for general use			
DL7	Not user addressable (R7), power switch for EEPROM			
DL8	0	Sets K port to input		
	1	Sets K port to output		
DL9 — DL11†	DL9	DL10	DL11	Addressed Analog Input Connected to the ADC
	0	0	0	A1
	0	1	0	A2
	0	0	1	A3
	0	1	1	A4
	1	X	X	Battery check functions
DL12	0	1-Hz timer input into the ALU for timer instructions		
	1	16-Hz timer input into the ALU for timer instructions		
DL13	0	Constant current source of the ADC off		
	1	Constant current source of the ADC on, if SV _{DD} is on		

† It is not normally necessary to change these digit latches with software since the interpreter controls them automatically.

K Port

The K port is a 4-bit programmable I/O port with individual lines labeled K1, K2, K4, and K8. The direction of data flow through the K lines is controlled by digit latch DL8. Data to be output through the K lines is first stored in the 4-bit K-lines latch. The K-port output structure is open source. For data input, the K lines are read via Schmitt triggers into the ALU. If the TSS400-S1 has been placed in either the OFF or DONE mode, it is possible to use the K lines to generate a wake-up signal.

status logic

The status logic consists of 3 bits that are modified after the execution of specific instructions. The status bits are checked by conditional jumps that are executed or not executed depending on the state of the tested status bit. Please note that not every instruction rewrites the status bits. If an instruction does not affect the status bits, the status of the last instruction to rewrite the status bits is preserved. The following diagram shows the 3 bits making up the status logic.



POS bit

The POS bit is set after an arithmetic instruction if the result of the operation has a positive sign. If the result is negative, the POS bit is reset. Other instructions will set the POS bit if no error occurred making it possible to use the POS bit status as an error indicator. If the A/D measurement is within range, the POS bit is set.

NEG bit

The NEG bit is set after an arithmetic instruction if the result of the operation has a negative sign. If the result is positive, the NEG bit is reset. Other instructions will set the NEG bit if an error occurred making it possible to use the NEG bit status as an error indicator. If the A/D measurement is out of range, the NEG bit is set.

ZERO bit

The ZERO bit is set to one if the result of the last instruction is zero or if a comparison results in equality. If the result is not zero or the comparison is not equal, the ZERO bit is cleared. If the A/D measurement is under range, ZERO bit is set.



LCD driver

The TSS400-S1 contains LCD-driver circuitry that is designed to get the best results for a wide range of applications. From a software point of view, the LCD 4-MUX 56-segment driver looks very simple:

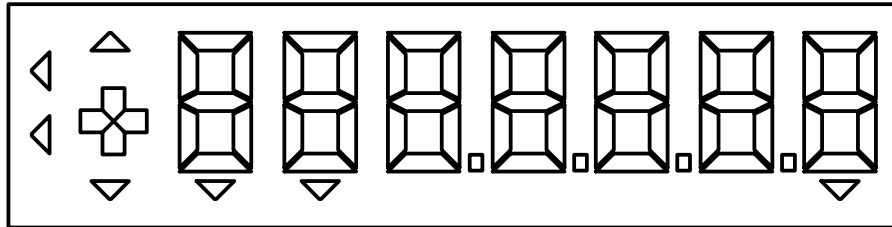
No timing problems exist with multiplexing for getting a quiet, stable display. The LCD-driver hardware outputs display information automatically without any software burden during the ACTIVE and DONE modes of operation.

Software has only to decide which segment information is to be displayed and in which digit to display it.

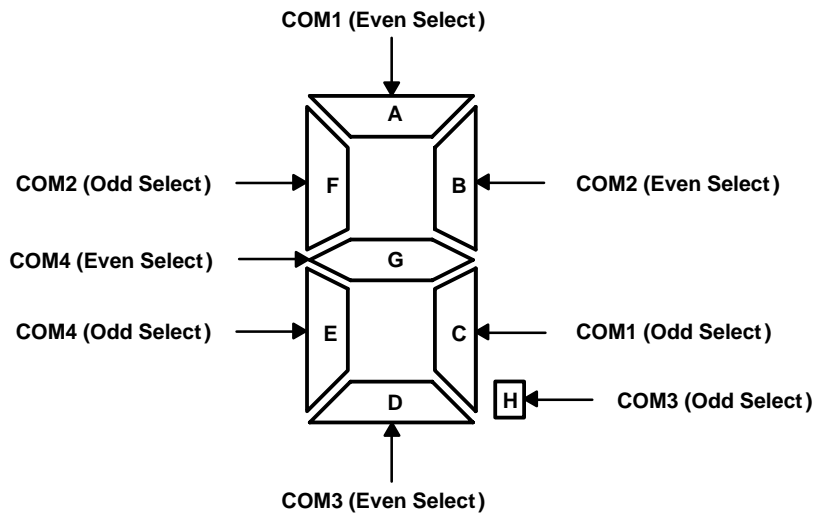
NOTE: LCDs are available for prototype development. Contact the nearest TI sales office for more information.

digit addressing

The following diagram shows the TSS400-S1 display configuration and accompanying FLAC nibbles.



FLAC NIBBLE	10E7	10E6	10E5	10E4	10E3	10E2	10E1	10E0
SELECTS	—	S1/S2	S3/S4	S5/S6	S7/S8	S9/S10	S11/S12	S13/S14
DIGIT n	—	1	2	3	4	5	6	7



The FLAC's MSD (10E7) cannot be displayed because of the 7-digit configuration of the display driver. If it is necessary to display the MSD, a shift right (SHIFTR) with decimal correction of the FLAC contents will have to be done.

TSS400-S1
μPOWER PROGRAMMABLE HIGH-PRECISION
SENSOR SIGNAL PROCESSOR

SLMS001 – D4071, JANUARY 1993

segment addressing

The OPLA terms definition is based on the following hardware configuration.

SELECT LINES								COMMON			
								1	2	3	4
ODD SELECT	S1	S3	S5	S7	S9	S11	S13	C	F	H	E
EVEN SELECT	S2	S4	S6	S8	S10	S12	S14	A	B	D	G

Caution: The shown common/select definition can not be modified and any display chosen to be used with the TSS400-S1 must conform to it.

The chosen common/select configuration is designed to be fail safe. This means that no valid numbers or characters are displayed when a segment or common signal failure occurs. Instead meaningless segment combinations are displayed that cannot be mistaken as valid data.

The TSS400-S1 LCD driver contains a gate-level output PLA (OPLA) that is of a 64 × 7 bit configuration. The 7 bits represent the segment information A through G for 64 predefined combinations (the H segment is independent from the OPLA and is given with the display instructions). Each of the predefined characters can be used with the display command. Table 7 gives the segments displayed and the character for each.

Table 7. Segment Display and Character

CHARACTER NUMBER	SEGMENTS	CHARACTER	DISPLAYED SEGMENTS
0	A B C D E F	0 or O	0
1	B C	1 or	1
2	A B D E G	2	2
3	A B C D G	3	3
4	B C F G	4	4
5	A C D F G	5 or S	5
6	A C D E F G	6	6
7	A B C	7	7
8	A B C D E F G	8 or B	8
9	A B C D F G	9	9
10	A B C E F G	A or R	A
11	C D E F G	b	b
12	A D E F	C or [C
13	B C D E G	d	d
14	A D E F G	E	E
15	A E F G	F	F
16	None	Blank	
17	B C D	J	J
18	D E F	L	L
19	A B E F G	P	P
20	B C D E F	U	U
21	D E G	c	c
22	C E F G	h	h
23	D E	l	l
24	C E G	n	n
25	C D E G	o	o
26	E G	r	r
27	D E F G	t	t
28	C D E	v	v

Table 7. Segment Display and Character (Continued)

CHARACTER NUMBER	SEGMENTS	CHARACTER	DISPLAYED SEGMENTS
29	B C D F G	Y	⏏
30	B C E F G	H	⏏
31	B C G	-1	⏏
32	None	Blank	⏏
33	A		⏏
34	F		⏏
35	A F		⏏
36	B		⏏
37	A B		⏏
38	B F		⏏
39	A B F		⏏
40	G	Minus Sign	-
41	A G		⏏
42	F G		⏏
43	A F G		⏏
44	B G		⏏
45	A B G		⏏
46	B F G		⏏
47	A B F G	Degree	°
48	E		⏏
49	A E		⏏
50	E F		⏏
51	A E F		⏏
52	B E		⏏
53	A B E		⏏
54	B E F		⏏
55	A B E F		⏏
56	E G		⏏
57	A E G		⏏
58	E F G		⏏
59	A E F G	F	F
60	C		⏏
61	D		⏏
62	A B C D]	⏏
63	A B C D E	J	⏏

TSS400-S1 μPOWER PROGRAMMABLE HIGH-PRECISION SENSOR SIGNAL PROCESSOR

SLMS001 – D4071, JANUARY 1993

sensor macro programming language (SMPL)

The TSS400-S1 features a processor that is programmed with an easy-to-use macro language, SMPL. The internal ROM is pre-programmed with optimized calibration, display, A/D conversion routines, the SMPL macro interpreter, and EEPROM communications protocol. The TSS400-S1 SMPL language is an optimized 75-instruction language that is much easier to use than assembly language. Each SMPL instruction is equivalent, on average, to six or seven assembly language instructions. This greatly reduces the amount of memory space required to store a given program and eases programming tasks.

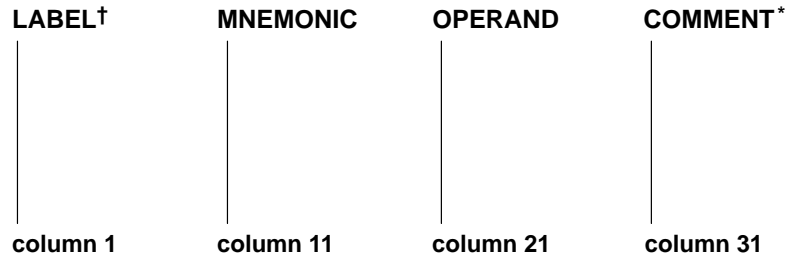
SMPL interpreter instruction coding format

The following rules should be followed in writing a program:

- Label fields are a maximum of eight alphanumeric characters starting with an alphabetic character. The label field must begin in column one.
- The mnemonic is to the right of a label, separated by at least one blank space. If no label is used, the mnemonic begins after the first column (second column or further right).
- The operand is to the right of the mnemonic and separated by at least one blank.
- A comment is to the right of the operand and separated by at least one blank. If a comment occupies a separate line, it must begin with an asterisk (*) in column one.

For legibility, it is recommended that fields begin in the following columns:

- label fields must begin in column 1
- mnemonic should begin in column 11
- operands should begin in column 21
- comments to an instruction should begin in column 31
- full line comments must begin with an asterisk (*) in column 1



† Labels are 8 characters, max, and must start in column 1.

* Asterisk in column 1 reserves the entire line for a comment.

Table 8 lists the SMPL language programming instructions in each of the following major categories:

- Register-to-register instructions
- Arithmetic instructions
- Arithmetic compare instructions
- Bit manipulation instructions
- Counter instructions
- Display instructions
- Miscellaneous instructions
- Constant transfer instructions
- Timer instructions
- Input/output instructions
- Program flow control instructions
- A/D conversion instructions

Table 8. SMPL Programming Instructions

FUNCTION GROUP	SMPL INSTRUCTION	DESCRIPTION
Register-to-Register Transfer	MOVFLSTO n	Move FLAC to storage register n
	MOVSTOFL n	Move storage register n to FLAC
	MOVREBTO n	Move REGB to storage register n
	MOVSTORB n	Move storage register n to REGB
	EXCHRBFL	Exchange REGB and FLAC registers
	MOVFLRB	Move FLAC register to REGB register
	MOVREBFL	Move REGB register to FLAC register
	MOVFLPRM label	Move FLAC to EEPROM starting at address label
	MOVPRMRB label	Move EEPROM contents starting at address label to REGB
Arithmetic	ADD	Add REGB to FLAC decimally
	SUB	Subtract REGB from FLAC decimally
	MPY	Multiply FLAC and REGB decimally
	DIV	Divide FLAC by REGB decimally
	ADDH	Add REGB to FLAC hexadecimally
	SUBH	Subtract REGB from FLAC hexadecimally
	HEXDEC	Hexadecimal to decimal conversion
	ROUND n	Round FLAC n times (0<n<5)
	SHIFTR n	Shift right FLAC n times (0<n<3)
	SHIFTL n	Shift left FLAC n times (0<n<3)
Arithmetic Compare	CMPFLRB	Compare FLAC and REGB then set status flags
	TSTRB	Test contents of REGB then set status flags
Bit Manipulation	SBIT n	Set flag bit n (0 ≤ n<16)
	RBIT n	Reset flag bit n (0 ≤ n<16)
	TBIT n	Test flag bit (0 ≤ n<16)
	SELGRP n	Select flag bits group n (0<n<3)
	OR	Logical OR FLAC and REGB with result to FLAC
	AND	Logical AND FLAC and REGB with result to FLAC
Counter	DECCNT n	Decrement counter n decimally
	INCCNT n	Increment counter n decimally
	DECDBL	Decrement double counter decimally
	INCDBL	Increment double counter decimally
	LDCNT n >NN	Load counter n decimally with constant >NN
	MOVCNT n	Move counter n to REGB
	MOVDBL	Move combined counters to REGB
Display	DISPLDG n >NN	Display information of operand NN in digit n
	DISPLCLR	Clear display
	DISPLFL >MN	Display FLAC from digit M to digit N and append (M–N+1) bytes containing information for each digit
Miscellaneous	DONE	Enter DONE mode
	OFF	Enter OFF mode
	NOP	No operation
	SLV >NN	Host control instruction

TSS400-S1
μPOWER PROGRAMMABLE HIGH-PRECISION
SENSOR SIGNAL PROCESSOR

SLMS001 – D4071, JANUARY 1993

Table 8. SMPL Programming Instructions (Continued)

FUNCTION GROUP	SMPL INSTRUCTION	DESCRIPTION
Constant Transfer	LDFLPOS n	Load FLAC with a positive constant (BCD format) contained in the n following bytes (n = 0 : 4 Bytes)
	LDFLNEG n	Load FLAC with a negative constant (BCD format) contained in the n following bytes (n = 0 : 4 Bytes)
	LDRBPOS n	Load REGB with a positive constant (BCD format) contained in the n following bytes (n = 0 : 4 Bytes)
	LDRBNEG n	Load REGB with a negative constant (BCD format) contained in the n following bytes (n = 0 : 4 Bytes)
	CLRFL	Clear FLAC register
	CLRRB	Clear REGB
Timer	LDTIML NNN	Load long timer with constant NNN
	LDTIMS NNN	Load short timer with constant NNN
	ACTTIM	Actualize timers
	STPTIML	Stop long timer
	STPTIMS	Stop short timer
Input/Output	SETR n	Set output Rn (DLn)
	RSTR n	Reset output Rn (DLn)
	TSTKEY >NN	Test keyboard like described by operand
	KINTIM	Actualize K input and timers
	KIN	Read K inputs to FLAC (LSD) and FLAG 12 thru 15
	FLKOUT	Output LSD of FLAC to K lines
	KOUT n	Output constant n to K lines
Program Flow Control	JMP label	Jump to label unconditionally
	JZ label	Jump to label if zero (STATUS BIT ZERO = 1)
	JEQ label	Jump to label if equal (STATUS BIT ZERO = 1)
	JNZ label	Jump to label if not zero (STATUS BIT ZERO = 0)
	JNE label	Jump to label if not equal (STATUS BIT ZERO = 0)
	JP label	Jump to label if positive (STATUS BIT POS = 1)
	JN label	Jump to label if negative (STATUS BIT NEG = 1)
	CALL label	Call subroutine label
RETN	Return from subroutine	
A/D Conversion	SVDDON	Set converter supply voltage
	SVDDOFF	Reset converter supply voltage
	MEASR a	Measure addressed A/D input a+1 and following byte contains number of conversions and mode
	ADJBATT	Measure battery voltage and put result in FLAC
	CHKBATT	Check battery voltage
	ADJCOMP	Measure A/D input and put result in FLAC
	CHKCOMP	Compare A/D input with value in FLAC



absolute maximum ratings over operating free-air temperature range (unless otherwise noted)

Supply voltage range, V_{DD} (see Note 1)	–0.3 V to 7 V
Input voltage range, V_I	$V_{SS} - 0.3$ V to $V_{DD} + 0.3$ V
Diode current	± 2 mA
Operating free-air temperature range, T_A : TSS400CFN-S1	0°C to 70°C
TSS400AFN-S1	–40°C to 125°C
Storage temperature range	–50°C to 150°C

NOTE 1: The voltage value is measured with respect to V_{SS} .

recommended operating conditions

		MIN	NOM	MAX	UNIT
Supply voltage, V_{DD}		2.6		5.5	V
Supply voltage, V_{SS}		0		0	V
Timer frequency (XTAL)			32.768		kHz
Operating free-air temperature, T_A	TSS400CFN-S1	0		70	°C
	TSS400AFN-S1	–40		125	°C

electrical characteristics, $T_A = 0^\circ\text{C}$ to 70°C

total device supply current

PARAMETER		TEST CONDITIONS	MIN	TYP	MAX	UNIT
$I_{DD}(\text{ACTIVE})$ ACTIVE mode	With A/D†	$V_{DD} = 3$ V		300	500	μA
		$V_{DD} = 5$ V		800	1100	
	Without A/D†	$V_{DD} = 3$ V		80	140	μA
		$V_{DD} = 5$ V		400	500	
$I_{DD}(\text{DONE})$ DONE mode	Standby†	$V_{DD} = 3$ V		4	8	μA
		$V_{DD} = 5$ V		10	18	
$I_{DD}(\text{OFF})$ OFF mode	Halt†	$V_{DD} = 3$ V		0.1	1	μA
		$V_{DD} = 5$ V		0.1	1	

† Current values are for input levels in the range of 0 to 0.3 V for V_{KL} , V_{IOL} ; and $V_{DD} - 0.3$ V for V_{KH} , V_{IOH} (all outputs open).

K and I/O inputs (schmitt trigger)

PARAMETER		TEST CONDITIONS	MIN	MAX	UNIT
V_{T+} Positive-going threshold voltage		$V_{DD} = 3$ V	1.2	2.0	V
		$V_{DD} = 5$ V	2.2	3.8	
V_{T-} Negative-going threshold voltage		$V_{DD} = 3$ V	0.8	1.5	
		$V_{DD} = 5$ V	1.2	2.6	
I_I Input current		$V_{DD} = 3.8$ V, $V_I = 0$	–0.1	0.1	μA
		$V_{DD} = 5.5$ V, $V_{IN} = 0$	–0.1	0.1	
		$V_{DD} = 3.8$ V, $V_{IN} = V_{DD}$	–0.1	0.1	
		$V_{DD} = 5.5$ V, $V_{IN} = V_{DD}$	–0.1	0.1	

K outputs

PARAMETER		TEST CONDITIONS	MIN	MAX	UNIT
V_{OH} High-level output voltage		$V_{DD} = 3$ V, $I_{OH} = -0.1$ mA	$V_{DD} - 0.2$	V_{DD}	V
		$V_{DD} = 5$ V, $I_{OH} = -0.5$ mA	$V_{DD} - 0.6$	V_{DD}	

TSS400-S1
μPOWER PROGRAMMABLE HIGH-PRECISION
SENSOR SIGNAL PROCESSOR

SLMS001 – D4071, JANUARY 1993

electrical characteristics, $T_A = 0^\circ\text{C}$ to 70°C (continued)

I/O output

PARAMETER		TEST CONDITIONS	MIN	MAX	UNIT
V_{OH}	High-level output voltage	$V_{DD} = 3\text{ V}$, $I_{OH} = -0.1\text{ mA}$	$V_{DD} - 0.2$	V_{DD}	V
		$V_{DD} = 5\text{ V}$, $I_{OH} = -0.75\text{ mA}$	$V_{DD} - 0.2$	V_{DD}	
V_{OL}	Low-level output voltage	$V_{DD} = 3\text{ V}$, $I_{OL} = 0.5\text{ mA}$	V_{SS}	$V_{SS} + 0.4$	V
		$V_{DD} = 5\text{ V}$, $I_{OL} = 1\text{ mA}$	V_{SS}	$V_{SS} + 0.4$	

R outputs

PARAMETER		TEST CONDITIONS	MIN	MAX	UNIT
$V_{OH(R)}$	High-level output voltage	$V_{DD} = 3\text{ V}$, $I_{OH} = -0.1\text{ mA}$	$V_{DD} - 0.2$	V_{DD}	V
		$V_{DD} = 3\text{ V}$, $I_{OH} = -0.3\text{ mA}$	$V_{DD} - 0.6$	V_{DD}	
		$V_{DD} = 5\text{ V}$, $I_{OH} = -0.3\text{ mA}$	$V_{DD} - 0.4$	V_{DD}	
$V_{OL(R)}$	Low-level output voltage	$V_{DD} = 3\text{ V}$, $I_{OL} = 0.3\text{ mA}$	V_{SS}	$V_{SS} + 0.4$	V
		$V_{DD} = 5\text{ V}$, $I_{OL} = 0.3\text{ mA}$	V_{SS}	$V_{SS} + 0.4$	

INITN input

PARAMETER		TEST CONDITIONS	MIN	MAX	UNIT
$I_I(\text{INITN})$	Input current, INITN	$V_{DD} = 3\text{ V}$, $V_I = 0$	-0.2	-1	μA
		$V_{DD} = 5\text{ V}$, $V_I = 0$	-0.5	-2.2	
		$V_{DD} = 3.8\text{ V to } 5.5\text{ V}$, $V_I = V_{DD}$	-0.1	0.1	

SV_{DD} output

PARAMETER		TEST CONDITIONS	MIN	MAX	UNIT
Output voltage, switched V_{DD}		$V_{DD} = 2.6\text{ V}$, $I_{SVDD} = 2\text{ mA}$	$V_{DD} - 0.2$	V_{DD}	V
		$V_{DD} = 2.6\text{ V}$, $I_{SVDD} = 6.5\text{ mA}$	$V_{DD} - 0.3$	V_{DD}	
Output current, switched V_{DD}		$V_{DD} = 3.8\text{ V to } 5.5\text{ V}$, SV_{DD} off (0 V)	-0.1	0.1	μA

LCD lines common, segment (1/4 duty cycle)

PARAMETER		TEST CONDITIONS	MIN	TYP	MAX	UNIT
$V_{OH(\text{COM})}$	High-level output voltage (COM1 – COM4)	$V_{DD} = 3\text{ V}$, $I_{OH} = -50\text{ }\mu\text{A}$	$V_{DD} - 0.4$		V_{DD}	V
		$V_{DD} = 5\text{ V}$, $I_{OH} = -100\text{ }\mu\text{A}$	$V_{DD} - 0.4$		V_{DD}	
Output voltage, 2/3-Hz (COM1 – COM4)		$V_{DD} = 3\text{ V}$, $I_{OZ} = \pm 10\text{ nA}$	$(2/3)V_{DD} - 0.04$	$(2/3)V_{DD}$	$(2/3)V_{DD} + 0.04$	V
		$V_{DD} = 5\text{ V}$, $I_{OZ} = \pm 10\text{ nA}$	$(2/3)V_{DD} - 0.04$	$(2/3)V_{DD}$	$(2/3)V_{DD} + 0.04$	
Output voltage, 1/3-Hz (COM1 – COM4)		$V_{DD} = 3\text{ V}$, $I_{OZ} = \pm 10\text{ nA}$	$(1/3)V_{DD} - 0.04$	$(1/3)V_{DD}$	$(1/3)V_{DD} + 0.04$	V
		$V_{DD} = 5\text{ V}$, $I_{OZ} = \pm 10\text{ nA}$	$(1/3)V_{DD} - 0.04$	$(1/3)V_{DD}$	$(1/3)V_{DD} + 0.04$	
$V_{OL(\text{COM})}$	Low-level output voltage (COM1 – COM4)	$V_{DD} = 3\text{ V}$, $I_{OL} = 50\text{ }\mu\text{A}$	V_{SS}		$V_{SS} + 0.4$	V
		$V_{DD} = 5\text{ V}$, $I_{OL} = 100\text{ }\mu\text{A}$	V_{SS}		$V_{SS} + 0.4$	



electrical characteristics, $T_A = 0^\circ\text{C}$ to 70°C (continued)

ADC current source, $V_{Rext} = V_{SVDD} - V_{Ri}$ (unless otherwise noted)

PARAMETER	TEST CONDITIONS	MIN	TYP	MAX	UNIT
V_{Rext} Voltage (across programming resistor)†	$V_{DD} = 3.5\text{ V}$, $I_{Ri} = 1.3\text{ mA}$, $T_A = 25^\circ\text{C}$	0.240737 $\times SV_{DD}$	0.244403 $\times SV_{DD}$	0.248069 $\times SV_{DD}$	V
	$V_{DD} = 5\text{ V}$, $I_{Ri} = 1.3\text{ mA}$, $T_A = 25^\circ\text{C}$	0.241959 $\times SV_{DD}$	0.244403 $\times SV_{DD}$	0.246847 $\times SV_{DD}$	
R_{ext} External programming resistor	$V_{DD} = 3.5\text{ V}$, $T_A = 25^\circ\text{C}$	0.10		1.6	k Ω
	$V_{DD} = 5\text{ V}$, $T_A = 25^\circ\text{C}$	0.10		1.6	
dN/dT Temperature stability	$V_{DD} = 5\text{ V}$, $V_{Rext}/R_{ext} = 1.3\text{ mA}$		0.03		LSB/ $^\circ\text{C}$
	$V_{DD} = 5\text{ V}$, $V_{Rext}/R_{ext} = 1.3\text{ mA}$		0.06		
dN/dSVDD SV_{DD} rejection ratio	$V_{DD} = 5\text{ V}$, $T_A = 25^\circ\text{C}$	-3	-1.5	1	LSB/V
	$V_{DD} = 5\text{ V}$, $T_A = 25^\circ\text{C}$	-6	-3	2	

ADC

PARAMETER	TEST CONDITIONS‡	MIN	TYP	MAX	UNIT
I_{IB} Input bias current (all inputs)†	$V_I = V_{SS}$ to V_{DD} , Current source off			± 30	nA
V_{IH} High-level analog input voltage for A/D conversion	$V_{DD} = 3.5\text{ V}$, $N = \text{EB9}_{16}$	0.486055 $\times SV_{DD}$	0.487977 $\times SV_{DD}$	0.489899 $\times SV_{DD}$	V
	$V_{DD} = 5\text{ V}$, $N = \text{FD4}_{16}$	0.488649 $\times SV_{DD}$	0.490571 $\times SV_{DD}$	0.492493 $\times SV_{DD}$	
V_{IL} Low-level analog input voltage for A/D conversion	$V_{DD} = 3.5\text{ V}$, $N = \text{046}_{16}$	0.106017 $\times SV_{DD}$	0.107939 $\times SV_{DD}$	0.109861 $\times SV_{DD}$	V
	$V_{DD} = 5\text{ V}$, $N = \text{02B}_{16}$	0.103423 $\times SV_{DD}$	0.105345 $\times SV_{DD}$	0.107267 $\times SV_{DD}$	

† This range is available only for $V_{DD} \geq 3.5\text{ V}$. The A/D range is limited due to the offset of the comparator. The range can be larger, if the comparator offset is made smaller.

‡ N = A/D conversion result for a single measurement. See measurement range and conversion formulas.

operating characteristics over recommended operating free-air temperature range (unless otherwise noted)

PARAMETER	TEST CONDITIONS	MIN	TYP	MAX	UNIT	
Linearity for all ranges	$V_{DD} = 3\text{ V}$, Delta digital value $\leq 120\text{ LSB}$	-1		1	LSB	
	$V_{DD} = 3\text{ V}$, $120\text{ LSB} < \text{DDV} \leq 240\text{ LSB}$	-1.5		1.5		
	$V_{DD} = 3\text{ V}$, $240\text{ LSB} < \text{DDV} \leq 2600\text{ LSB}$	-2.5		2.5		
	$V_{DD} = 3\text{ V}$, $\text{DDV} > 2600\text{ LSB}$	-4.5		4.5		
	Linearity for all ranges	$V_{DD} = 5\text{ V}$, Delta digital value $\leq 120\text{ LSB}$	-1		1	LSB
		$V_{DD} = 5\text{ V}$, $120\text{ LSB} < \text{DDV} \leq 240\text{ LSB}$	-1.5		1.5	
		$V_{DD} = 5\text{ V}$, $240\text{ LSB} < \text{DDV} \leq 2600\text{ LSB}$	-2.5		2.5	
		$V_{DD} = 5\text{ V}$, $\text{DDV} > 2600\text{ LSB}$	-4.5		4.5	
$V_{DD}(\text{BC})$ Supply voltage, battery check	$000_{16} < \text{conversion result} > \text{FFF}_{16}$			4.8	V	
Drift	N of ADC at $V_{DD} = 2.7\text{ V}$, $T_A = 25^\circ\text{C}$	-0.1	2.7	0.1	V	
Clock frequency, internal MOS	$V_{DD} = 3\text{ V}$, $T_A = 25^\circ\text{C}$		650		kHz	
	$V_{DD} = 5\text{ V}$, $T_A = 25^\circ\text{C}$		840			
t_{conv} Conversion time	Single-compensated measurement $V_{DD} = 3.5\text{ V}$		1.2		ms	
	Single-uncompensated measurement $V_{DD} = 3.5\text{ V}$		1			
	ADJCOMP $V_{DD} = 3.5\text{ V}$		1			

TSS400-S1

μPOWER PROGRAMMABLE HIGH-PRECISION SENSOR SIGNAL PROCESSOR

SLMS001 – D4071, JANUARY 1993

APPLICATION INFORMATION

Figure 5 shows all the components that are necessary to run a TSS400-S1 and the connected sensors for a temperature-calibrated pressure application. In this case, a 3-V lithium battery is used as a power supply. The pressure application could be an altimeter, a pressure gauge, or a manometer. This example uses simple uncalibrated silicon sensors. It is assumed that a simple, easy to perform software calibration routine is used to get accurate results. This temperature-compensation software calibration and the 12-bit ADC ensures a high degree of accuracy can be realized with this application.

All of the analog circuitry in Figure 5 is connected to the SV_{DD} (switchable V_{DD}) terminal. By doing this, the sensor network is only powered when it is needed for A/D conversion. This is done to reduce total system power consumption.

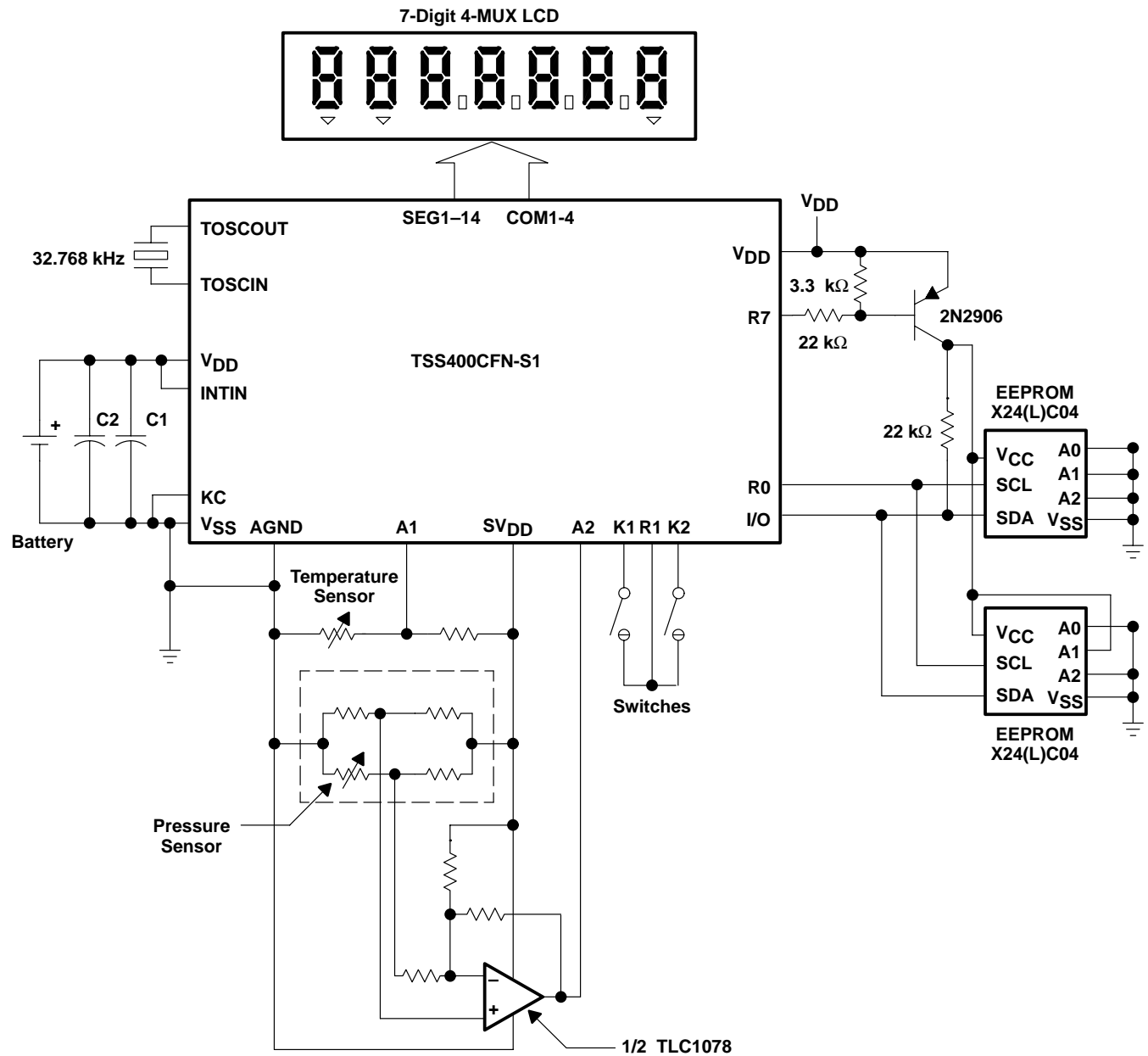


Figure 5. Temperature-Compensated Pressure Application

APPLICATION INFORMATION

SDT-400 development tool

The SDT-400 is an inexpensive software development tool used for development of TSS400-S1 applications. It consists of three basic parts:

- a 5.25-inch floppy diskette that contains the TSS400-S1 software simulator program, the ASM400 SMPL macro language assembler program, and demonstration and example routine programs.
- the SDT-400 User's Manual that details how to use the development system and the TSS400-S1.
- a hardware development board.

The SDT-400 works with an IBM-compatible personal computer and supports program debug at the macro instruction level. It also provides on-screen simulation of the LCD display and most functions of the TSS400-S1. These functions (all internal registers, inputs, outputs, and flags) can be edited on the screen in the simulator with the keyboard. It also provides a BURN routine for downloading an application program into the EEPROMs on the hardware development board. The hardware development board has all of the components and connectors required for it to be connected to a personal computer parallel printer port and for it to serve as a prototyping system board for the application under development.

hardware development board

The hardware development board contains a seven-digit LCD display, a 16-key keypad, sockets for four 512 × 8 EEPROMs, a socket for the TSS400-S1, connectors for the parallel printer port, all supply pins, input pins, and output pins of the TSS400-S1 and an on-board voltage regulator that allows you to power the system from the personal computer cable, a 9-V transistor battery, or a DC power supply. The development system comes with four EEPROMs, two standard TSS400s, a 3-V LCD, a 5-V LCD, and a cable to connect the development board to the personal computer.

software simulator

The software simulator, which will run on all IBM-AT compatible personal computers, allows fast development of application software for the TSS400-S1. All functions, with the exception of the hardware communication with inputs and outputs, can be simulated. The development of program algorithms requires no hardware. As shown in Figure 6, all internal registers, inputs, outputs, and flags are shown simultaneously on one screen. These may be modified whenever needed, even during simulator's RUN mode, from the keyboard. Figure 6 shows the simulator software running on your PC.

APPLICATION INFORMATION

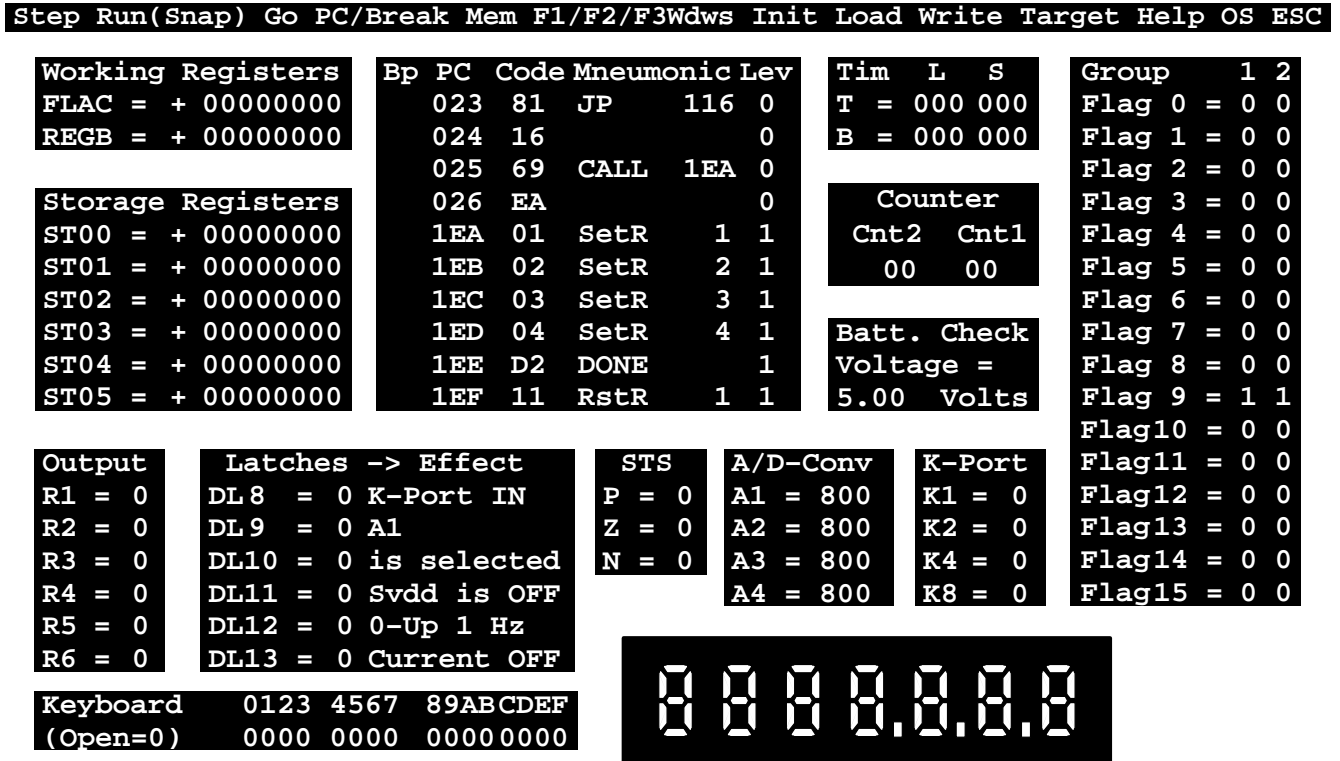


Figure 6. SDT-400 Simulator Screen

real-time debugging

After verification of all software parts that do not need connection to the target hardware, the real-time tests with the development board connected to the target hardware can begin.

The development board is connected to the printer port on the personal computer by means of the included cable. The tested user's program is burned into the EEPROMs with the appropriate simulator instruction and reread for verification. The user's program, now stored in the EEPROMs on the development board, may be started and stopped by instructions from the software simulator.

Real-time debugging with the development board is made by inserting pauses into the user's program as desired, usually when some subprogram portion is complete. This may be after computations are complete, A/D conversions are complete, the keyboard has been tested, and so on.

The following are several possible locations for the pauses and checking a program:

- jumps to the same location
- waiting for a definitive key to be pressed
- displaying of the register that contains important information
- displaying of the registers with wait states

IMPORTANT NOTICE

Texas Instruments (TI) reserves the right to make changes to its products or to discontinue any semiconductor product or service without notice, and advises its customers to obtain the latest version of relevant information to verify, before placing orders, that the information being relied on is current.

TI warrants performance of its semiconductor products and related software to the specifications applicable at the time of sale in accordance with TI's standard warranty. Testing and other quality control techniques are utilized to the extent TI deems necessary to support this warranty. Specific testing of all parameters of each device is not necessarily performed, except those mandated by government requirements.

Certain applications using semiconductor products may involve potential risks of death, personal injury, or severe property or environmental damage ("Critical Applications").

TI SEMICONDUCTOR PRODUCTS ARE NOT DESIGNED, INTENDED, AUTHORIZED, OR WARRANTED TO BE SUITABLE FOR USE IN LIFE-SUPPORT APPLICATIONS, DEVICES OR SYSTEMS OR OTHER CRITICAL APPLICATIONS.

Inclusion of TI products in such applications is understood to be fully at the risk of the customer. Use of TI products in such applications requires the written approval of an appropriate TI officer. Questions concerning potential risk applications should be directed to TI through a local SC sales office.

In order to minimize risks associated with the customer's applications, adequate design and operating safeguards should be provided by the customer to minimize inherent or procedural hazards.

TI assumes no liability for applications assistance, customer product design, software performance, or infringement of patents or services described herein. Nor does TI warrant or represent that any license, either express or implied, is granted under any patent right, copyright, mask work right, or other intellectual property right of TI covering or relating to any combination, machine, or process in which such semiconductor products or services might be or are used.