
Features

- Pulse-width Modulation up to 2 kHz Clock Frequency
- Protection Against Short-circuit, Load Dump Overvoltage and Reverse V_s
- Duty Cycle 18% to 100% Continuously
- Internally Reduced Pulse Slope of Lamp's Voltage
- Interference and Damage Protection According to VDE 0839 and ISO/TR 7637/1
- Charge-pump Noise Suppression
- Ground-wire Breakage Protection



1. Description

The U6083B is a PWM IC in bipolar technology for the control of an N-channel power MOSFET used as a high-side switch. The IC is ideal for use in brightness control systems (dimming) of lamps, for example, in dashboard applications.



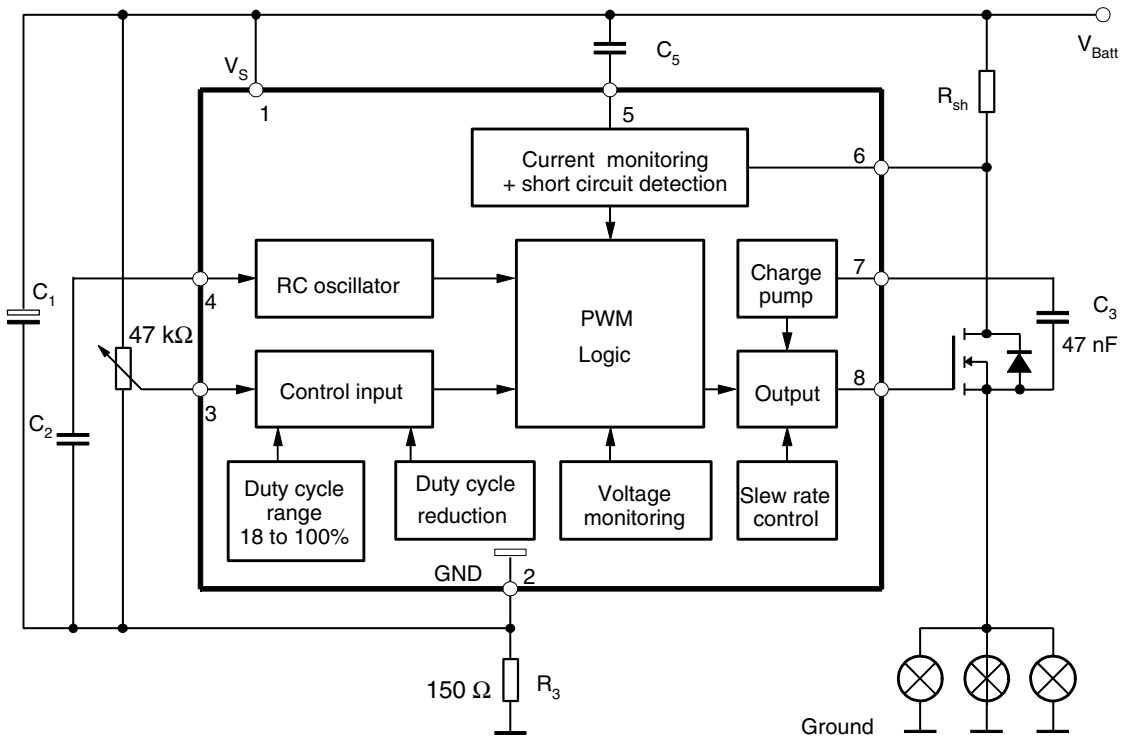
PWM Power Control IC with Interference Suppression

U6083B

Rev. 4770B-AUTO-09/05



Figure 1-1. Block Diagram with External Circuit



2. Pin Configuration

Figure 2-1. Pinning DIP8

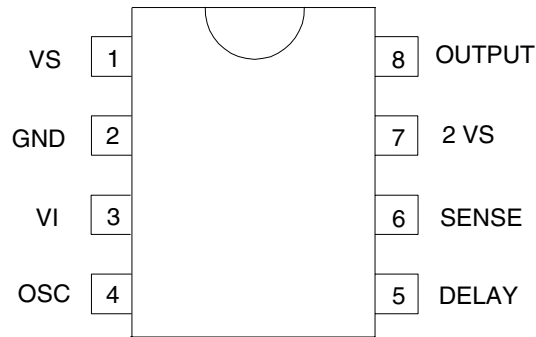


Table 2-1. Pin Description

Pin	Symbol	Function
1	VS	Supply voltage V_S
2	GND	IC ground
3	VI	Control input (duty cycle)
4	OSC	Oscillator
5	DELAY	Short-circuit protection delay
6	SENSE	Current sensing
7	2 VS	Voltage doubler
8	OUTPUT	Output

3. Functional Description

3.1 Pin 1, Supply Voltage, V_S or V_{Batt}

3.1.1 Overvoltage Detection

3.1.1.1 Stage 1

If overvoltages of $V_{Batt} > 20V$ (typically) occur, the external transistor is switched off, and switched on again at $V_{Batt} < 18.5V$ (hysteresis).

3.1.1.2 Stage 2

If $V_{Batt} > 28.5V$ (typically), the voltage limitation of the IC is reduced from $V_S = 26V$ to $20V$. The gate of the external transistor remains at the potential of the IC ground, thus producing voltage sharing between FET and lamps in the event of overvoltage pulses (e.g., load dump). The short-circuit protection is not in operation. At V_{Batt} approximately $< 23V$, the overvoltage detection stage 2 is switched off. Thus, during overvoltage detection stage 2, the lamp voltage V_{lamp} is calculated as follows:

$$V_{Lamp} = V_{Batt} - V_S - V_{GS}$$

V_S = supply voltage of the IC at overvoltage detection stage 2

V_{GS} = gate - source voltage of the FET

3.1.2 Undervoltage Detection

In the event of voltages of approximately $V_{Batt} < 5.0V$, the external FET is switched off and the latch for short-circuit detection is reset.

A hysteresis ensures that the FET is switched on again at approximately $V_{Batt} \geq 5.4V$.

3.2 Pin 2, GND

3.2.1 Ground-wire Breakage

To protect the FET in the case of ground-wire breakage, a $1\text{ M}\Omega$ resistor between gate and source is recommended to provide proper switch-off conditions.

3.3 Pin 3, Control Input

The pulse width is controlled by means of an external potentiometer ($47\text{ k}\Omega$). The characteristic (angle of rotation/duty cycle) is linear. The duty cycle can be varied from 18 to 100%. It is possible to further restrict the duty cycle with the resistors R_1 and R_2 (see [Figure 7-1 on page 11](#)).

In order to reduce the power dissipation of the FET and to increase the lifetime of the lamps, the IC automatically reduces the maximum duty cycle at pin 8 if the supply voltage exceeds $V_2 = 13V$. Pin 3 is protected against short-circuit to V_{Batt} and ground ($V_{Batt} \leq 16.5V$).

3.4 Pin 4, Oscillator

The oscillator determines the frequency of the output voltage. This is defined by an external capacitor, C_2 . It is charged with a constant current, I , until the upper switching threshold is reached. A second current source is then activated which taps a double current, $2 \times I$, from the charging current. The capacitor, C_2 , is thus discharged at the current, I , until the lower switching threshold is reached. The second source is then switched off again and the procedure starts once more.

3.4.1 Example for Oscillator Frequency Calculation

Switching thresholds

$$V_{T100} = \text{High switching threshold (100\% duty cycle)}$$

$$V_{T100} = V_S \times \alpha_1 = (V_{\text{Batt}} - I_S \times R_3) \times \alpha_1$$

$$V_{T<100} = \text{High switching threshold (< 100\% duty cycle)}$$

$$V_{T<100} = V_S \times \alpha_2 = (V_{\text{Batt}} - I_S \times R_3) \times \alpha_2$$

$$V_{TL} = \text{Low switching threshold}$$

$$V_{TL} = V_S \times \alpha_3 = (V_{\text{Batt}} - I_S \times R_3) \times \alpha_3$$

where

α_1 , α_2 and α_3 are fixed values

3.4.2 Calculation Example

The above mentioned threshold voltages are calculated for the following values given in the data sheet.

$$V_{\text{Batt}} = 12\text{V}, I_S = 4 \text{ mA}, R_3 = 150\Omega, \alpha_1 = 0.7, \alpha_2 = 0.67 \text{ and } \alpha_3 = 0.28$$

$$V_{T100} = (12\text{V} - 4 \text{ mA} \times 150\Omega) \times 0.7 \approx 8\text{V}$$

$$V_{T<100} = 11.4\text{V} \times 0.67 = 7.6\text{V}$$

$$V_{TL} = 11.4\text{V} \times 0.28 = 3.2\text{V}$$

3.4.3 Oscillator Frequency

3 cases have to be distinguished

1. f_1 for duty cycle = 100%, no slope reduction with capacitor C_4
(see [Figure 7-1 on page 11](#))

$$f_1 = \frac{I_{\text{OSC}}}{2 \times (V_{T100} - V_{TL}) \times C_2}, \text{ where } C_2 = 68 \text{ nF}, I_{\text{OSC}} = 45 \mu\text{A}$$

$$f_1 = \dots = 75 \text{ Hz}$$

2. f_2 for duty cycle < 100%, no slope reduction with capacitor C_4

For a duty cycle of less than 100%, the oscillator frequency, f , is as follows:

$$f_2 = \frac{I_{\text{OSC}}}{2 \times (V_{T<100} - V_{TL}) \times C_2}, \text{ where } C_2 = 68 \text{ nF}, I_{\text{OSC}} = 45 \mu\text{A}$$

$$f_2 = \dots = 69 \text{ Hz}$$

3. f_3 with duty cycle < 100% with slope reduction capacitor C_4 (see “Output Slope Control” on page 6)

$$f_3 = \frac{I_{osc}}{2 \times (V_{T<100} - V_{TL}) \times C_2 + 2V_{Batt} \times C_4}$$

where $C_2 = 68 \text{ nF}$, $I_{OSC} = 45 \text{ }\mu\text{A}$, $C_4 = 1.8 \text{ nF}$

$$f_3 = \dots = 70 \text{ Hz}$$

By selecting different values of C_2 and C_4 , it is possible to have a range of oscillator frequencies from 10 to 2000 Hz as shown in the data sheet.

3.5 Output Slope Control

The slope of the lamp voltage is internally limited to reduce radio interference by limitation of the voltage gain of the PWM comparator.

Thus, the voltage rise on the lamp is proportional to the oscillator voltage increase at the switchover time according to the equation.

$$dV_g/d_t = \alpha_4 \times dV_4/d_t = 2 \times \alpha_4 \times f \times (\alpha_2 - \alpha_3) \times (V_{Batt} - I_S \times R_3)$$

when

$$f = 75 \text{ Hz}, V_{TX} = V_T < 100 \text{ and } \alpha_4 = 63$$

then

$$dV_g/d_t = 2 \times 63 \times 75 \text{ Hz} \times (0.67 - 0.28) \times (12\text{V} - 4 \text{ mA} \times 15\Omega) = 42 \text{ V/ms}$$

Via an external capacitor, C_4 , the slope can be further reduced as follows:

$$dV_g/d_t = I_{OSC}/(C_4 + C_2/\alpha_4)$$

when

$$I_{OSC} = 45 \text{ }\mu\text{A}, C_4 = 1.8 \text{ nF}, C_2 = 68 \text{ nF and } \alpha_4 = 63$$

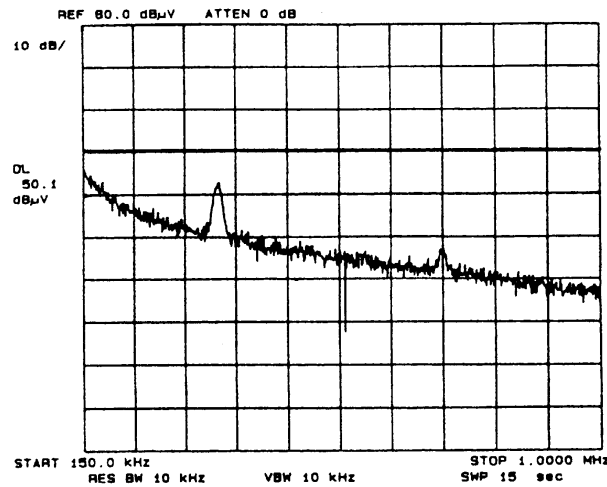
$$\text{then } dV_g/d_t = 45 \text{ }\mu\text{A}/(1.8 \text{ nF} + 68 \text{ nF}/63) = 15.6 \text{ V/ms}$$

To damp oscillation tendencies, a resistance of 100Ω in series with capacitance C_4 is recommended.

3.6 Interference Suppression

- “On-board” radio reception according to VDE 0879 part 3/4.81
- Test conditions referring to [Figure 3-1](#)
- Application circuit according to [Figure 1-1 on page 2](#) or [Figure 7-1 on page 11](#)
- Load: nine 4W lamps in parallel
- Duty cycle = 18%
- $V_{Batt} = 12V$
- $f_{Osc} = 100\text{ Hz}$

Figure 3-1. Voltage Spectrum of On-board Radio Reception



3.7 Pins 5 and Pin 6, Short-circuit Protection and Current Sensing

3.7.1 Short-circuit Detection and Time Delay, t_d

The lamp current is monitored by means of an external shunt resistor. If the lamp current exceeds the threshold for the short-circuit detection circuit ($V_{T2} \approx 90\text{ mV}$), the duty cycle is switched over to 100% and the capacitor C_5 is charged by a current source of $I_{ch} - I_{dis}$. The external FET again is switched off after the cut-off threshold (V_{T5}) is reached. Switching on the FET again is possible after a power-on reset only. The current source, I_{dis} , ensures that the capacitor C_5 is not charged by parasitic currents.

The time delay, t_d , is calculated as follows:

$$t_d = C_5 \times V_{T5} / (I_{ch} - I_{dis})$$

With $C_5 = 100\text{ nF}$ and $V_{T5} = 10.4V$, $I_{ch} = 13\text{ }\mu A$, $I_{dis} = 3\text{ }\mu A$, the time delay is as follows:

$$t_d = 100\text{ nF} \times 10.4V / (13\text{ }\mu A - 3\text{ }\mu A)$$

$$t_d = 104\text{ ms}$$

3.7.2 Current Limitation

The lamp current is limited by a control amplifier to protect the external power transistor. The voltage drop across the external shunt resistor acts as the measured variable. Current limitation takes place for a voltage drop of $V_{T1} \approx 100$ mV. Owing to the difference $V_{T1} - V_{T2} \approx 10$ mV, it ensures that current limitation occurs only when the short-circuit detection circuit has responded.

After a power-on reset, the output is inactive for half an oscillator cycle. During this time, the supply voltage capacitor can be charged so that current limitation is guaranteed in the event of a short-circuit when the IC is switched on for the first time.

3.8 Pins 7 and 8, Charge Pump and Output

Pin 8 (output) is suitable for controlling a power MOSFET. During the active integration phase, the supply current of the operational amplifier is mainly supplied by the capacitor C_3 (bootstrapping). In addition, a trickle charge is generated by an integrated oscillator ($f_7 \approx 400$ kHz) and a voltage doubler circuit. This permits a gate voltage supply at a duty cycle of 100%.

4. Absolute Maximum Ratings

Stresses beyond those listed under “Absolute Maximum Ratings” may cause permanent damage to the device. This is a stress rating only and functional operation of the device at these or any other conditions beyond those indicated in the operational sections of this specification is not implied. Exposure to absolute maximum rating conditions for extended periods may affect device reliability.

Parameters	Symbol	Value	Unit
Junction temperature	T_j	150	°C
Ambient temperature range	T_{amb}	-40 to +110	°C
Storage temperature range	T_{stg}	-55 to +125	°C

5. Thermal Resistance

Parameters	Symbol	Value	Unit
Junction ambient	R_{thJA}	120	K/W

6. Electrical Characteristics

$T_{amb} = -40^{\circ}\text{C}$ to $+110^{\circ}\text{C}$, $V_{Batt} = 9\text{V}$ to 16.5V , (basic function is guaranteed between 6.0V to 9.0V) reference point ground, unless otherwise specified (see [Figure 1-1 on page 2](#)). All other values refer to pin GND (pin 2).

Parameters	Test Conditions	Pin	Symbol	Min.	Typ.	Max.	Unit
Current consumption		1	I_S			7.9	mA
Supply voltage	Oversvoltage detection, stage 1		V_{Batt}			25	V
Stabilized voltage	$I_S = 10\text{ mA}$	1	V_S	24.5		27.0	V
Battery undervoltage detection	on		V_{Batt}	4.4	5.0	5.6	V
	off			4.8	5.4	6.0	
Battery Oversvoltage Detection							
Stage 1:	on		V_{Batt}	18.3	20.0	21.7	V
	off			16.7	18.5	20.3	
Stage 2: Detection stage 2	on		V_{Batt}	25.5	28.5	32.5	V
	off			19.5	23.0	26.5	
Stabilized voltage	$I_S = 30\text{ mA}$	1	V_S	18.5	20.0	21.5	V
Short-circuit Protection		6					
Short-circuit current limitation	$V_{T1} = V_S - V_6$		V_{T1}	85	100	120	mV
Short-circuit detection	$V_{T2} = V_S - V_6$		V_{T2}	75	90	105	mV
	$V_{T2} = V_S - V_6$		$V_{T1} - V_{T2}$	3	10	30	mV
Delay Timer Short-circuit Detection, $V_{Batt} = 12\text{V}$		5					
Switched off threshold	$V_{T5} = V_S - V_5$		V_{T5}	10.2	10.4	10.6	V
Charge current			I_{ch}		13		μA
Discharge current			I_{dis}		3		μA
Capacitance current	$I_5 = I_{ch} - I_{dis}$		I_5	5	10	15	mA

Note: 1. Reference point is battery ground

6. Electrical Characteristics (Continued)

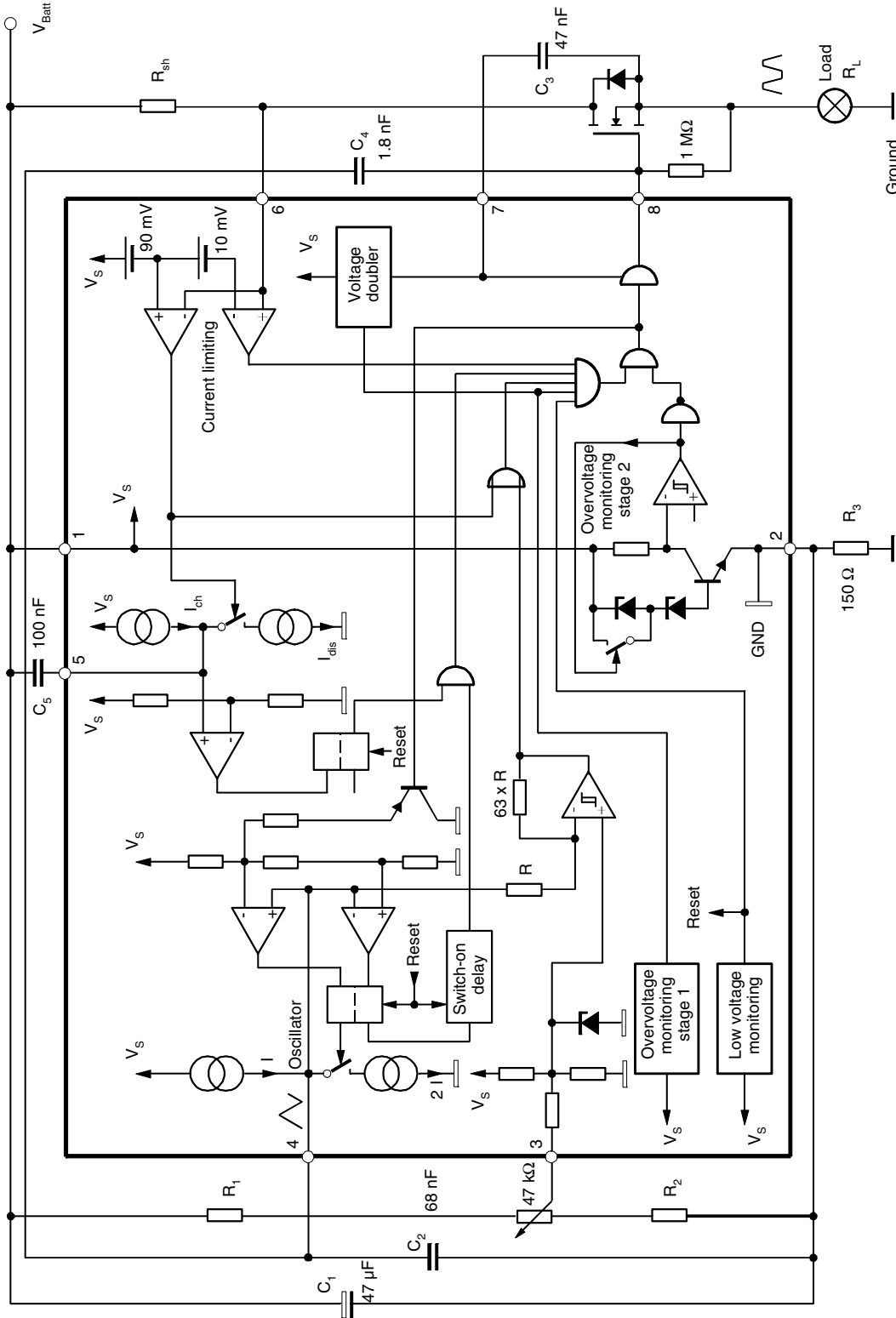
$T_{amb} = -40^{\circ}\text{C}$ to $+110^{\circ}\text{C}$, $V_{Batt} = 9\text{V}$ to 16.5V , (basic function is guaranteed between 6.0V to 9.0V) reference point ground, unless otherwise specified (see Figure 1-1 on page 2). All other values refer to pin GND (pin 2).

Parameters	Test Conditions	Pin	Symbol	Min.	Typ.	Max.	Unit
Voltage Doubler		7					
Voltage	Duty cycle 100%		V_7	$2 V_S$			
Oscillator frequency			f_7	280	400	520	kHz
Internal voltage limitation	$I_7 = 5\text{ mA}$ (whichever is lower)		V_7	26	27.5	30.0	V
			V_7	V_{S+14}	V_{S+15}	V_{S+16}	V
Edge steepness	$dv_g/dt = \alpha_4 dv_4/dt$ dV_g/dt_{max}		α_4	53	63	72 130	V/ms
Gate Output		8					
Voltage	Low level		V_8	0.35	0.70	0.95	V
	$V_{Batt} = 16.5\text{V}$ $T_{amb} = 110^{\circ}\text{C}$, $R_3 = 150\Omega$		V_8			$1.5^{(1)}$	V
	High level, duty cycle 100%		V_8		V_7		V
Current	$V_8 = \text{Low level}$		I_8	1.0			mA
	$V_8 = \text{High level, } I_7 > I_8 $		I_8	-1.0			mA
Duty cycle	Min: $C_2 = 68\text{ nF}$		t_p/T	15	18	21	%
	Max: $V_{Batt} \leq 12.4\text{V}$			100			
	$V_{Batt} = 16.5\text{V}$, $C_2 = 68\text{ nF}$			65	73	81	
Oscillator							
Frequency		4	f	10		2000	Hz
Threshold cycle	$V_8 = \text{High, } \alpha_1 = \frac{V_{T100}}{V_S}$		α_1	0.68	0.7	0.72	
Upper	$V_8 = \text{Low, } \alpha_2 = \frac{V_{T<100}}{V_S}$		α_2	0.65	0.67	0.69	
Lower	$\alpha_3 = \frac{V_{TL}}{V_S}$		α_3	0.26	0.28	0.3	
Oscillator current	$V_{Batt} = 12\text{V}$		$\pm I_{OSC}$	34	45	54	μA
Frequency	C_4 open, $C_2 = 68\text{ nF}$ duty cycle = 50%		f	56	75	90	Hz

Note: 1. Reference point is battery ground

7. Application

Figure 7-1. Application Circuit



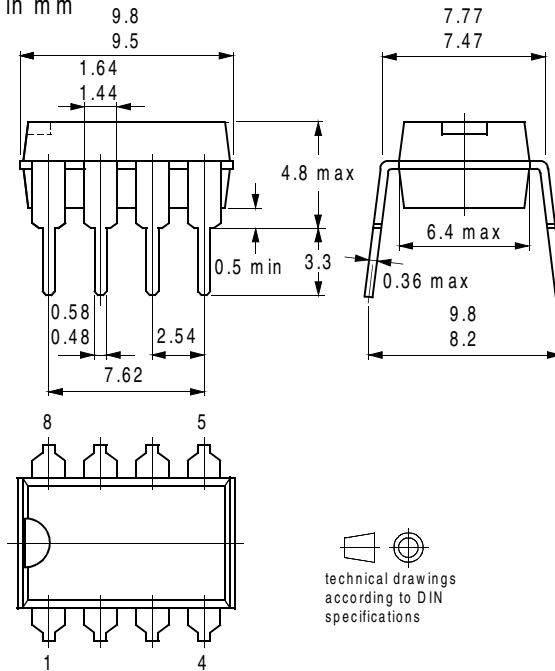
8. Ordering Information

Extended Type Number	Package	Remarks
U6083B-MY	DIP8	Pb-free

9. Package Information

Package DIP8

Dimensions in mm





Atmel Corporation

2325 Orchard Parkway
San Jose, CA 95131, USA
Tel: 1(408) 441-0311
Fax: 1(408) 487-2600

Regional Headquarters

Europe

Atmel Sarl
Route des Arsenaux 41
Case Postale 80
CH-1705 Fribourg
Switzerland
Tel: (41) 26-426-5555
Fax: (41) 26-426-5500

Asia

Room 1219
Chinachem Golden Plaza
77 Mody Road Tsimshatsui
East Kowloon
Hong Kong
Tel: (852) 2721-9778
Fax: (852) 2722-1369

Japan

9F, Tonetsu Shinkawa Bldg.
1-24-8 Shinkawa
Chuo-ku, Tokyo 104-0033
Japan
Tel: (81) 3-3523-3551
Fax: (81) 3-3523-7581

Atmel Operations

Memory

2325 Orchard Parkway
San Jose, CA 95131, USA
Tel: 1(408) 441-0311
Fax: 1(408) 436-4314

Microcontrollers

2325 Orchard Parkway
San Jose, CA 95131, USA
Tel: 1(408) 441-0311
Fax: 1(408) 436-4314

La Chantrerie
BP 70602
44306 Nantes Cedex 3, France
Tel: (33) 2-40-18-18-18
Fax: (33) 2-40-18-19-60

ASIC/ASSP/Smart Cards

Zone Industrielle
13106 Rousset Cedex, France
Tel: (33) 4-42-53-60-00
Fax: (33) 4-42-53-60-01

1150 East Cheyenne Mtn. Blvd.
Colorado Springs, CO 80906, USA
Tel: 1(719) 576-3300
Fax: 1(719) 540-1759

Scottish Enterprise Technology Park
Maxwell Building
East Kilbride G75 0QR, Scotland
Tel: (44) 1355-803-000
Fax: (44) 1355-242-743

RF/Automotive

Theresienstrasse 2
Postfach 3535
74025 Heilbronn, Germany
Tel: (49) 71-31-67-0
Fax: (49) 71-31-67-2340

1150 East Cheyenne Mtn. Blvd.
Colorado Springs, CO 80906, USA
Tel: 1(719) 576-3300
Fax: 1(719) 540-1759

Biometrics/Imaging/Hi-Rel MPU/ High Speed Converters/RF Datacom

Avenue de Rochepleine
BP 123
38521 Saint-Egreve Cedex, France
Tel: (33) 4-76-58-30-00
Fax: (33) 4-76-58-34-80

Literature Requests

www.atmel.com/literature

Disclaimer: The information in this document is provided in connection with Atmel products. No license, express or implied, by estoppel or otherwise, to any intellectual property right is granted by this document or in connection with the sale of Atmel products. **EXCEPT AS SET FORTH IN ATMEL'S TERMS AND CONDITIONS OF SALE LOCATED ON ATMEL'S WEB SITE, ATMEL ASSUMES NO LIABILITY WHATSOEVER AND DISCLAIMS ANY EXPRESS, IMPLIED OR STATUTORY WARRANTY RELATING TO ITS PRODUCTS INCLUDING, BUT NOT LIMITED TO, THE IMPLIED WARRANTY OF MERCHANTABILITY, FITNESS FOR A PARTICULAR PURPOSE, OR NON-INFRINGEMENT. IN NO EVENT SHALL ATMEL BE LIABLE FOR ANY DIRECT, INDIRECT, CONSEQUENTIAL, PUNITIVE, SPECIAL OR INCIDENTAL DAMAGES (INCLUDING, WITHOUT LIMITATION, DAMAGES FOR LOSS OF PROFITS, BUSINESS INTERRUPTION, OR LOSS OF INFORMATION) ARISING OUT OF THE USE OR INABILITY TO USE THIS DOCUMENT, EVEN IF ATMEL HAS BEEN ADVISED OF THE POSSIBILITY OF SUCH DAMAGES.** Atmel makes no representations or warranties with respect to the accuracy or completeness of the contents of this document and reserves the right to make changes to specifications and product descriptions at any time without notice. Atmel does not make any commitment to update the information contained herein. Unless specifically provided otherwise, Atmel products are not suitable for, and shall not be used in, automotive applications. Atmel's products are not intended, authorized, or warranted for use as components in applications intended to support or sustain life.

© Atmel Corporation 2005. All rights reserved. Atmel®, logo and combinations thereof, Everywhere You Are® and others, are registered trademarks or trademarks of Atmel Corporation or its subsidiaries. Other terms and product names may be trademarks of others.



Printed on recycled paper.