

FM IF Amplifier and Demodulator for TV Sound Application

Technology: Bipolar

Features

- Outstanding limiting qualities
- Very few external components
- Wide supply voltage range
- High ripple rejection
- Minimum IF passage to audio output
- High IF residual carrier rejection
- U828B with integrated de-emphasis resistor

Case: 8-pin dual-inline plastic

Absolute Maximum Ratings

Reference point Pin 2

Parameters	Symbol	Value	Unit
Supply voltage	V_S	18	V
Power dissipation	P_{tot}	550	mW
Junction temperature	T_j	125	°C
Ambient-temperature range	T_{amb}	-15 to +70	°C
Storage-temperature range	T_{stg}	25 to +125	°C

Thermal Resistance

Parameters	Symbol	Maximum	Unit
Junction ambient	R_{thJA}	100	K/W

U828B/ U829B/ U829BS

TEMIC
Semiconductors

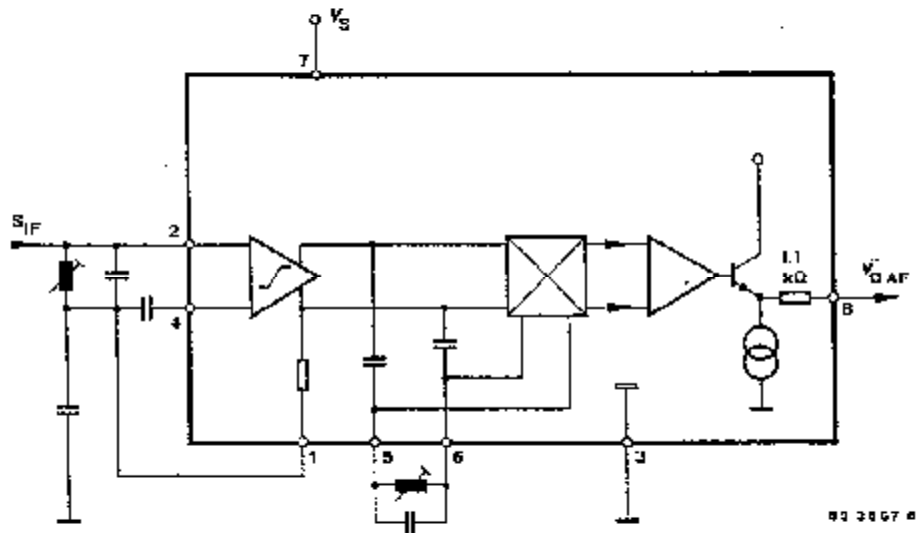


Figure 1. Block diagram U828B

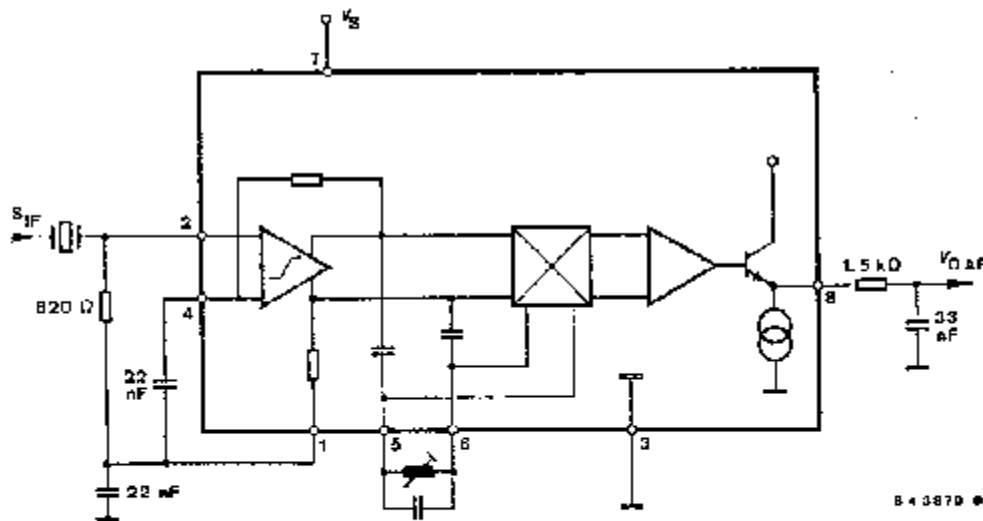


Figure 2. Block diagram U829B

U828B/ U829B/ U829BS

TEMIC
Semiconductors

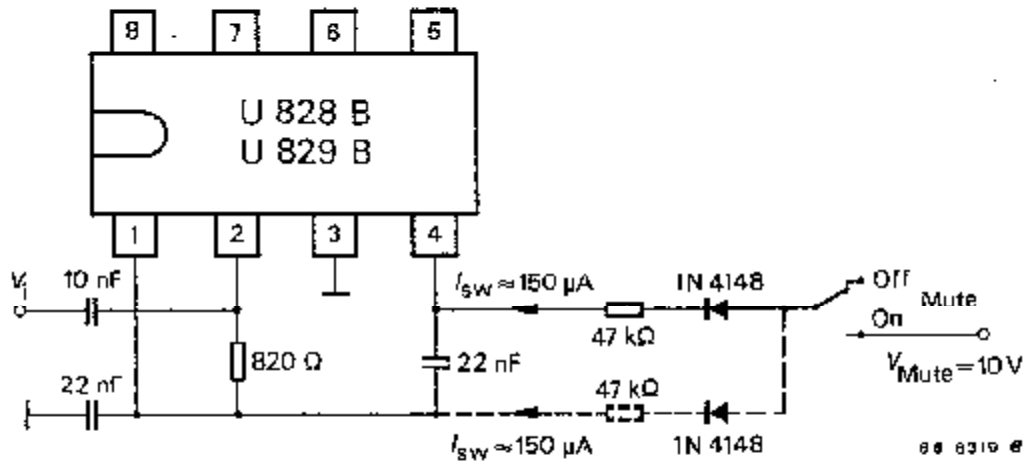


Figure 3.

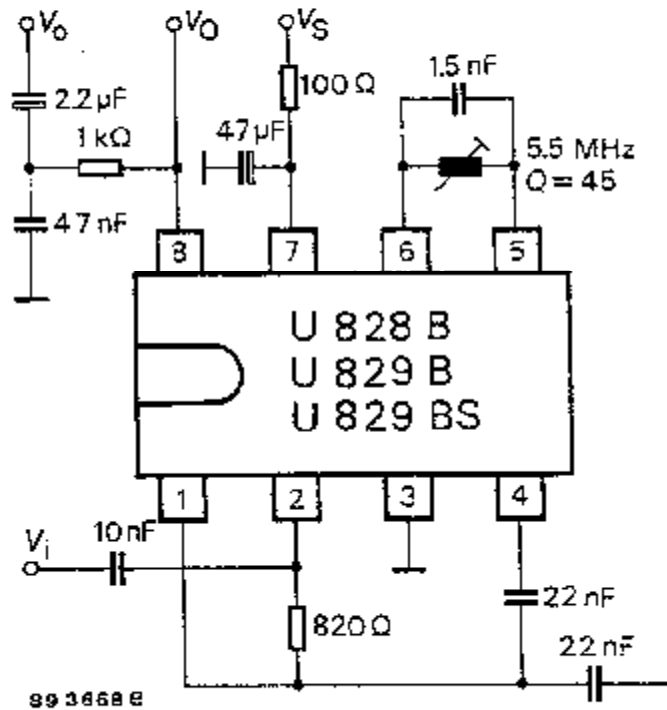


Figure 4. Test circuit

(The supply voltage must be disconnected before inserting the integrated circuit in the socket.)

Dimensions in mm

Package: DIP8

