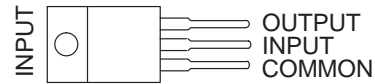
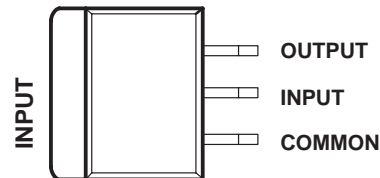


- 3-Terminal Regulators
- Output Current Up To 1.5 A
- No External Components
- Internal Thermal Overload Protection
- High-Power Dissipation Capability
- Internal Short-Circuit Current Limiting
- Output Transistor Safe-Area Compensation

**KCS (TO-220) PACKAGE  
(TOP VIEW)**



**KTE PACKAGE  
(TOP VIEW)**



## description/ordering information

This series of fixed-negative-voltage integrated-circuit voltage regulators is designed to complement Series μA7800 in a wide range of applications. These applications include on-card regulation for elimination of noise and distribution problems associated with single-point regulation. Each of these regulators can deliver up to 1.5 A of output current. The internal current limiting and thermal shutdown features of these regulators essentially make them immune to overload. In addition to use as fixed-voltage regulators, these devices can be used with external components to obtain adjustable output voltages and currents and also as the power-pass element in precision regulators.

## ORDERING INFORMATION

$T_J$	$V_{O(NOM)}$ (V)	PACKAGE†		ORDERABLE PART NUMBER	TOP-SIDE MARKING
0°C to 125°C	-15	Power Flex (KTE)	Reel of 2000	μA7915CKTER	μA7915C
		TO-220, short shoulder (KCS)	Tube of 50	μA7915CKCS	μA7915C
	-12	Power Flex (KTE)	Reel of 2000	μA7912CKTER	μA7912C
		TO-220, short shoulder (KCS)	Tube of 50	μA7912CKCS	μA7912C
	-8	Power Flex (KTE)	Reel of 2000	μA7908CKTER	μA7908C
		TO-220, short shoulder (KCS)	Tube of 50	μA7908CKCS	μA7908C
	-5	Power Flex (KTE)	Reel of 2000	μA7905CKTER	μA7905C
		TO-220, short shoulder (KCS)	Tube of 50	μA7905CKCS	μA7905C

† Package drawings, standard packing quantities, thermal data, symbolization, and PCB design guidelines are available at [www.ti.com/sc/package](http://www.ti.com/sc/package).



Please be aware that an important notice concerning availability, standard warranty, and use in critical applications of Texas Instruments semiconductor products and disclaimers thereto appears at the end of this data sheet.

**PRODUCTION DATA** information is current as of publication date. Products conform to specifications per the terms of Texas Instruments standard warranty. Production processing does not necessarily include testing of all parameters.

**TEXAS  
INSTRUMENTS**

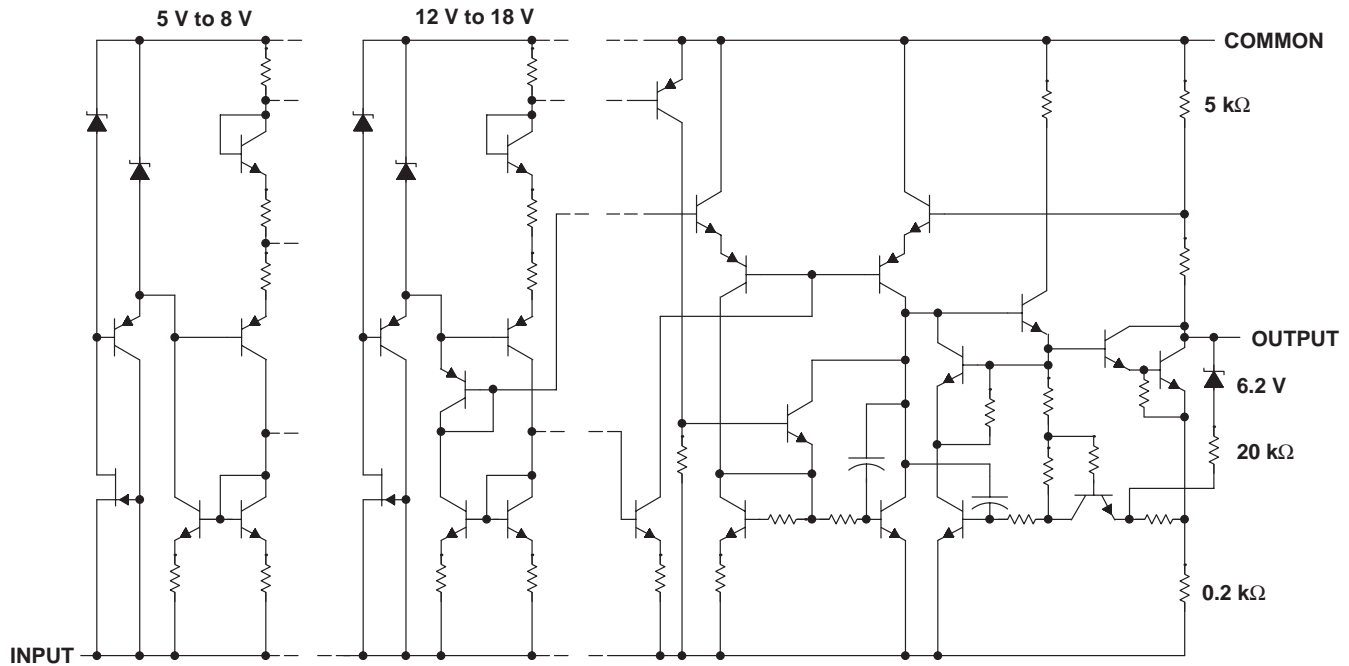
POST OFFICE BOX 655303 • DALLAS, TEXAS 75265

Copyright © 2004, Texas Instruments Incorporated

# μA7900 SERIES NEGATIVE-VOLTAGE REGULATORS

SLVS058D – JUNE 1976 – REVISED APRIL 2004

## schematic



All component values are nominal.

## absolute maximum ratings over virtual junction temperature range (unless otherwise noted)†

Input voltage, $V_I$ : $\mu A7924C$ .....	-40 V
All others .....	-35 V
Operating virtual junction temperature, $T_J$ .....	150°C
Storage temperature range, $T_{stg}$ .....	-65 to 150°C

† Stresses beyond those listed under "absolute maximum ratings" may cause permanent damage to the device. These are stress ratings only, and functional operation of the device at these or any other conditions beyond those indicated under "recommended operating conditions" is not implied. Exposure to absolute-maximum-rated conditions for extended periods may affect device reliability.

## package thermal data (see Note 1)

PACKAGE	BOARD	$\theta_{JC}$	$\theta_{JA}$
Power Flex (KTE)	High K, JESD 51-5	3°C/W	23°C/W
TO-220 (KCS)	High K, JESD 51-5	3°C/W	19°C/W

NOTE 1: Maximum power dissipation is a function of  $T_J(\max)$ ,  $\theta_{JA}$ , and  $T_A$ . The maximum allowable power dissipation at any allowable ambient temperature is  $P_D = (T_J(\max) - T_A)/\theta_{JA}$ . Operating at the absolute maximum  $T_J$  of 150°C can affect reliability.

## recommended operating conditions

		MIN	MAX	UNIT	
$V_I$	Input voltage	$\mu A7905C$	-7	-25	V
		$\mu A7908C$	-10.5	-25	
		$\mu A7912C$	-14.5	-30	
		$\mu A7915C$	-17.5	-30	
$I_O$	Output current		1.5	A	
$T_J$	Operating virtual junction temperature	0	125	°C	



POST OFFICE BOX 655303 • DALLAS, TEXAS 75265

# μA7900 SERIES NEGATIVE-VOLTAGE REGULATORS

SLVS058D – JUNE 1976 – REVISED APRIL 2004

**electrical characteristics at specified virtual junction temperature,  $V_I = -10$  V,  $I_O = 500$  mA (unless otherwise noted)**

PARAMETER	TEST CONDITIONS	$T_J$ †	μA7905C			UNITS
			MIN	TYP	MAX	
Output voltage‡		25°C	-4.8	-5	-5.2	V
	$I_O = 5$ mA to 1 A, $P \leq 15$ W $V_I = -7$ V to $-20$ V,	0°C to 125°C	-4.75		-5.25	
Input regulation	$V_I = -7$ V to $-25$ V			12.5	50	mV
	$V_I = -8$ V to $-12$ V			4	15	
Ripple rejection	$V_I = -8$ V to $-18$ V, $f = 120$ Hz	0°C to 125°C	54	60		dB
Output regulation	$I_O = 5$ mA to 1.5 A			15	100	mV
	$I_O = 250$ mA to 750 mA			5	50	
Temperature coefficient of output voltage	$I_O = 5$ mA	0°C to 125°C		-0.4		mV/°C
Output noise voltage	$f = 10$ Hz to 100 kHz	25°C		125		μV
Dropout voltage	$I_O = 1$ A	25°C		1.1		V
Bias current		25°C		1.5	2	mA
Bias current change	$V_I = -7$ V to $-25$ V			0.15	0.5	mA
	$I_O = 5$ mA to 1 A			0.08	0.5	
Peak output current		25°C		2.1		A

† Pulse-testing techniques are used to maintain the junction temperature as close to the ambient temperature as possible. Thermal effects must be taken into account separately. All characteristics are measured with a 2-μF capacitor across the input and a 1-μF capacitor across the output.

‡ This specification applies only for dc power dissipation permitted by absolute maximum ratings.

**electrical characteristics at specified virtual junction temperature,  $V_I = -11$  V,  $I_O = 500$  mA (unless otherwise noted)**

PARAMETER	TEST CONDITIONS	$T_J$ †	μA7906C			UNITS
			MIN	TYP	MAX	
Output voltage‡		25°C	-5.75	-6	-6.25	V
	$I_O = 5$ mA to 1 A, $P \leq 15$ W $V_I = -8$ V to $-21$ V,	0°C to 125°C	-5.7		-6.3	
Input regulation	$V_I = -8$ V to $-25$ V			12.5	120	mV
	$V_I = -9$ V to $-13$ V			4	60	
Ripple rejection	$V_I = -9$ V to $-19$ V, $f = 120$ Hz	0°C to 125°C	54	60		dB
Output regulation	$I_O = 5$ mA to 1.5 A			15	120	mV
	$I_O = 250$ mA to 750 mA			5	60	
Temperature coefficient of output voltage	$I_O = 5$ mA	0°C to 125°C		-0.4		mV/°C
Output noise voltage	$f = 10$ Hz to 100 kHz	25°C		150		μV
Dropout voltage	$I_O = 1$ A	25°C		1.1		V
Bias current		25°C		1.5	2	mA
Bias current change	$V_I = -8$ V to $-25$ V			0.15	1.3	mA
	$I_O = 5$ mA to 1 A			0.08	0.5	
Peak output current		25°C		2.1		A

† Pulse-testing techniques are used to maintain the junction temperature as close to the ambient temperature as possible. Thermal effects must be taken into account separately. All characteristics are measured with a 2-μF capacitor across the input and a 1-μF capacitor across the output.

‡ This specification applies only for dc power dissipation permitted by absolute maximum ratings.



# μA7900 SERIES NEGATIVE-VOLTAGE REGULATORS

SLVS058D – JUNE 1976 – REVISED APRIL 2004

electrical characteristics at specified virtual junction temperature,  $V_I = -14$  V,  $I_O = 500$  mA (unless otherwise noted)

PARAMETER	TEST CONDITIONS	$T_J$ †	μA7908C			UNITS
			MIN	TYP	MAX	
Output voltage‡	$I_O = 5$ mA to 1 A, $V_I = -10.5$ V to $-23$ V, $P \leq 15$ W	25°C	-7.7	-8	-8.3	V
		0°C to 125°C	-7.6		-8.4	
Input regulation	$V_I = -10.5$ V to $-25$ V		12.5		160	mV
	$V_I = -11$ V to $-17$ V		4		80	
Ripple rejection	$V_I = -11.5$ V to $-21.5$ V, $f = 120$ Hz	0°C to 125°C	54	60		dB
Output regulation	$I_O = 5$ mA to 1.5 A		15		160	mV
	$I_O = 250$ mA to 750 mA		5		80	
Temperature coefficient of output voltage	$I_O = 5$ mA	0°C to 125°C	-0.6			mV/°C
Output noise voltage	$f = 10$ Hz to 100 kHz	25°C	200			μV
Dropout voltage	$I_O = 1$ A	25°C	1.1			V
Bias current		25°C	1.5		2	mA
Bias current change	$V_I = -10.5$ V to $-25$ V		0.15		1	mA
	$I_O = 5$ mA to 1 A		0.08		0.5	
Peak output current		25°C	2.1			A

† Pulse-testing techniques are used to maintain the junction temperature as close to the ambient temperature as possible. Thermal effects must be taken into account separately. All characteristics are measured with a 2-μF capacitor across the input and a 1-μF capacitor across the output.

‡ This specification applies only for dc power dissipation permitted by absolute maximum ratings.

electrical characteristics at specified virtual junction temperature,  $V_I = -19$  V,  $I_O = 500$  mA (unless otherwise noted)

PARAMETER	TEST CONDITIONS	$T_J$ †	μA7912C			UNITS
			MIN	TYP	MAX	
Output voltage‡	$I_O = 5$ mA to 1 A, $V_I = -14.5$ V to $-27$ V, $P \leq 15$ W	25°C	-11.5	-12	-12.5	V
		0°C to 125°C	-11.4		-12.6	
Input regulation	$V_I = -14.5$ V to $-30$ V		5		80	mV
	$V_I = -16$ V to $-22$ V		3		30	
Ripple rejection	$V_I = -15$ V to $-25$ V, $f = 120$ Hz	0°C to 125°C	54	60		dB
Output regulation	$I_O = 5$ mA to 1.5 A		15		200	mV
	$I_O = 250$ mA to 750 mA		5		75	
Temperature coefficient of output voltage	$I_O = 5$ mA	0°C to 125°C	-0.8			mV/°C
Output noise voltage	$f = 10$ Hz to 100 kHz	25°C	300			μV
Dropout voltage	$I_O = 1$ A	25°C	1.1			V
Bias current		25°C	2		3	mA
Bias current change	$V_I = -14.5$ V to $-30$ V		0.04		0.5	mA
	$I_O = 5$ mA to 1 A		0.06		0.5	
Peak output current		25°C	2.1			A

† Pulse-testing techniques are used to maintain the junction temperature as close to the ambient temperature as possible. Thermal effects must be taken into account separately. All characteristics are measured with a 2-μF capacitor across the input and a 1-μF capacitor across the output.

‡ This specification applies only for dc power dissipation permitted by absolute maximum ratings.



# μA7900 SERIES NEGATIVE-VOLTAGE REGULATORS

SLVS058D – JUNE 1976 – REVISED APRIL 2004

**electrical characteristics at specified virtual junction temperature,  $V_I = -23$  V,  $I_O = 500$  mA (unless otherwise noted)**

PARAMETER	TEST CONDITIONS	$T_J$ †	μA7915C			UNITS
			MIN	TYP	MAX	
Output voltage‡		25°C	-14.4	-15	-15.6	V
	$I_O = 5$ mA to 1 A, $V_I = -17.5$ V to -30 V, $P \leq 15$ W	0°C to 125°C	-14.25		-15.75	
Input regulation	$V_I = -17.5$ V to -30 V			5	100	mV
	$V_I = -20$ V to -26 V			3	50	
Ripple rejection	$V_I = -18.5$ V to -28.5 V, $f = 120$ Hz	0°C to 125°C	54	60		dB
Output regulation	$I_O = 5$ mA to 1.5 A			20	300	mV
	$I_O = 250$ mA to 750 mA			8	150	
Temperature coefficient of output voltage	$I_O = 5$ mA	0°C to 125°C		-1		mV/°C
Output noise voltage	$f = 10$ Hz to 100 kHz	25°C		375		μV
Dropout voltage	$I_O = 1$ A	25°C		1.1		V
Bias current		25°C		2	3	mA
Bias current change	$V_I = -17.5$ V to -30 V			0.04	0.5	mA
	$I_O = 5$ mA to 1 A			0.06	0.5	
Peak output current		25°C		2.1		A

† Pulse-testing techniques are used to maintain the junction temperature as close to the ambient temperature as possible. Thermal effects must be taken into account separately. All characteristics are measured with a 2-μF capacitor across the input and a 1-μF capacitor across the output.

‡ This specification applies only for dc power dissipation permitted by absolute maximum ratings.

**electrical characteristics at specified virtual junction temperature,  $V_I = -27$  V,  $I_O = 500$  mA (unless otherwise noted)**

PARAMETER	TEST CONDITIONS	$T_J$ †	μA7918C			UNITS
			MIN	TYP	MAX	
Output voltage‡		25°C	-17.3	-18	-18.7	V
	$I_O = 5$ mA to 1 A, $V_I = -21$ V to -33 V, $P \leq 15$ W	0°C to 125°C	-17.1		-18.9	
Input regulation	$V_I = -21$ V to -33 V			5	360	mV
	$V_I = -24$ V to -30 V			3	180	
Ripple rejection	$V_I = -22$ V to -32 V, $f = 120$ Hz	0°C to 125°C	54	60		dB
Output regulation	$I_O = 5$ mA to 1.5 A			30	360	mV
	$I_O = 250$ mA to 750 mA			10	180	
Temperature coefficient of output voltage	$I_O = 5$ mA	0°C to 125°C		-1		mV/°C
Output noise voltage	$f = 10$ Hz to 100 kHz	25°C		450		μV
Dropout voltage	$I_O = 1$ A	25°C		1.1		V
Bias current		25°C		2	3	mA
Bias current change	$V_I = -21$ V to -33 V			0.04	1	mA
	$I_O = 5$ mA to 1 A			0.06	0.5	
Peak output current		25°C		2.1		A

† Pulse-testing techniques are used to maintain the junction temperature as close to the ambient temperature as possible. Thermal effects must be taken into account separately. All characteristics are measured with a 2-μF capacitor across the input and a 1-μF capacitor across the output.

‡ This specification applies only for dc power dissipation permitted by absolute maximum ratings.



# μA7900 SERIES NEGATIVE-VOLTAGE REGULATORS

SLVS058D – JUNE 1976 – REVISED APRIL 2004

electrical characteristics at specified virtual junction temperature,  $V_I = -33\text{ V}$ ,  $I_O = 500\text{ mA}$  (unless otherwise noted)

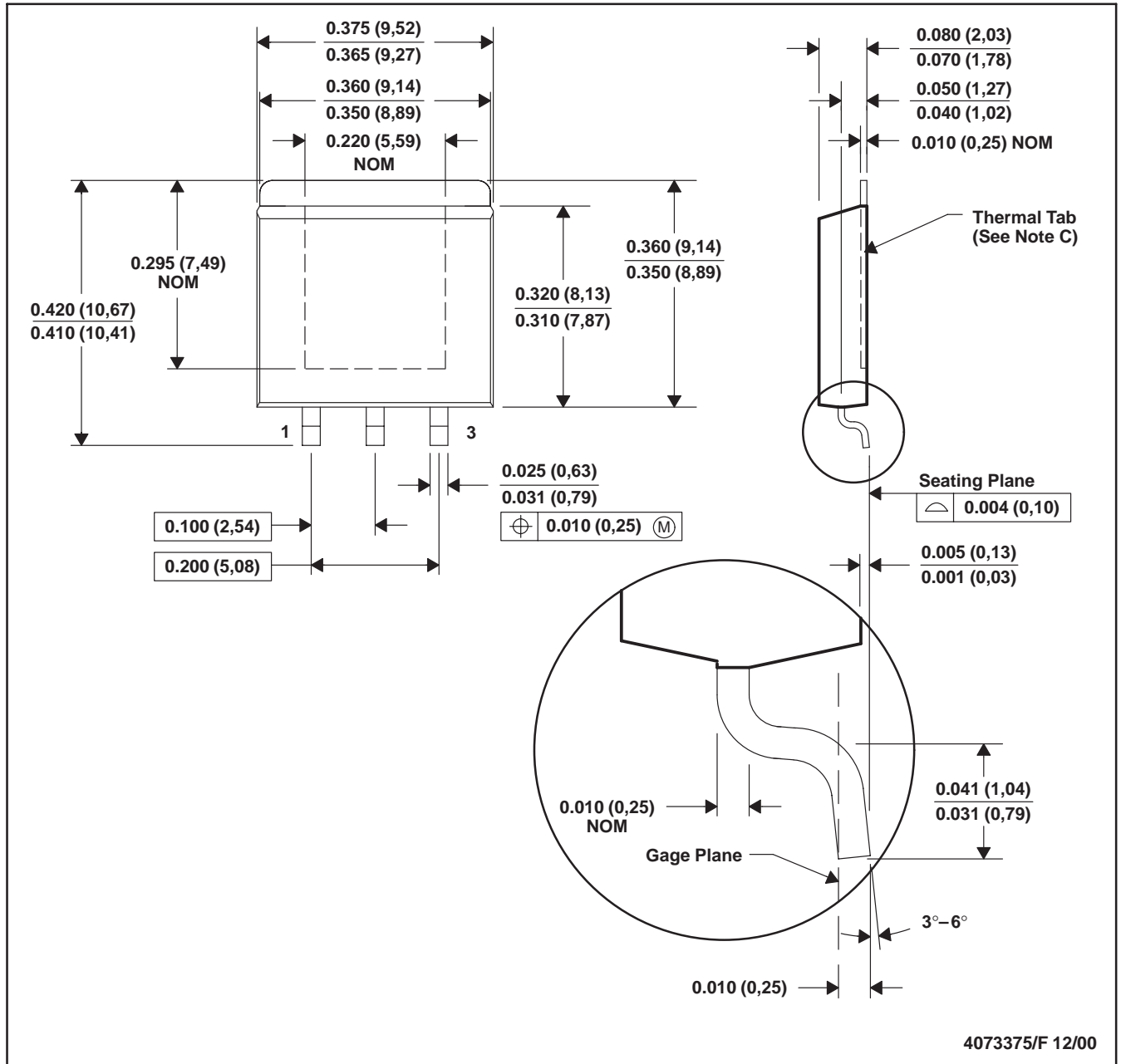
PARAMETER	TEST CONDITIONS	$T_J$ †	μA7924C			UNITS
			MIN	TYP	MAX	
Output voltage‡		25°C	-23	-24	-25	V
	$I_O = 5\text{ mA to }1\text{ A}$ , $V_I = -27\text{ V to }-38\text{ V}$ , $P \leq 15\text{ W}$	0°C to 125°C	-22.8		-25.2	
Input regulation	$V_I = -27\text{ V to }-38\text{ V}$			5	480	mV
	$V_I = -30\text{ V to }-36\text{ V}$			3	240	
Ripple rejection	$V_I = -28\text{ V to }-38\text{ V}$ , $f = 120\text{ Hz}$	0°C to 125°C	54	60		dB
Output regulation	$I_O = 5\text{ mA to }1.5\text{ A}$			85	480	mV
	$I_O = 250\text{ mA to }750\text{ mA}$			25	240	
Temperature coefficient of output voltage	$I_O = 5\text{ mA}$	0°C to 125°C		-1		mV/°C
Output noise voltage	$f = 10\text{ Hz to }100\text{ kHz}$	25°C		600		μV
Dropout voltage	$I_O = 1\text{ A}$	25°C		1.1		V
Bias current		25°C		2	3	mA
Bias current change	$V_I = -27\text{ V to }-38\text{ V}$			0.04	1	mA
	$I_O = 5\text{ mA to }1\text{ A}$			0.06	0.5	
Peak output current		25°C		2.1		A

† Pulse-testing techniques are used to maintain the junction temperature as close to the ambient temperature as possible. Thermal effects must be taken into account separately. All characteristics are measured with a 2-μF capacitor across the input and a 1-μF capacitor across the output.

‡ This specification applies only for dc power dissipation permitted by absolute maximum ratings.

KTE (R-PSFM-G3)

PowerFLEX™ PLASTIC FLANGE-MOUNT



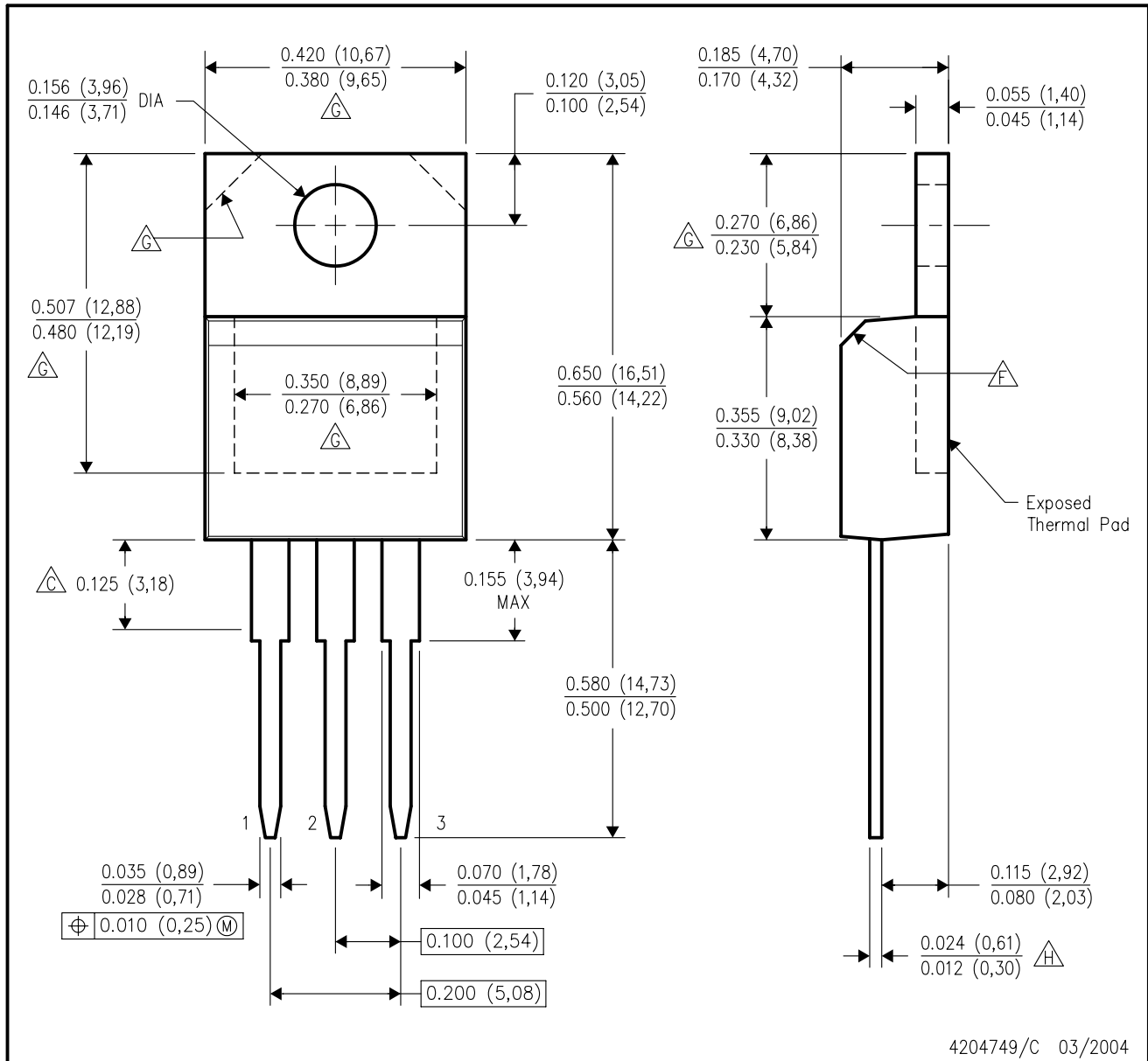
- NOTES: A. All linear dimensions are in inches (millimeters).  
 B. This drawing is subject to change without notice.  
 C. The center lead is in electrical contact with the thermal tab.  
 D. Dimensions do not include mold protrusions, not to exceed 0.006 (0,15).  
 E. Falls within JEDEC MO-169

PowerFLEX is a trademark of Texas Instruments.



KCS (R-PSFM-T3)

PLASTIC FLANGE-MOUNT PACKAGE

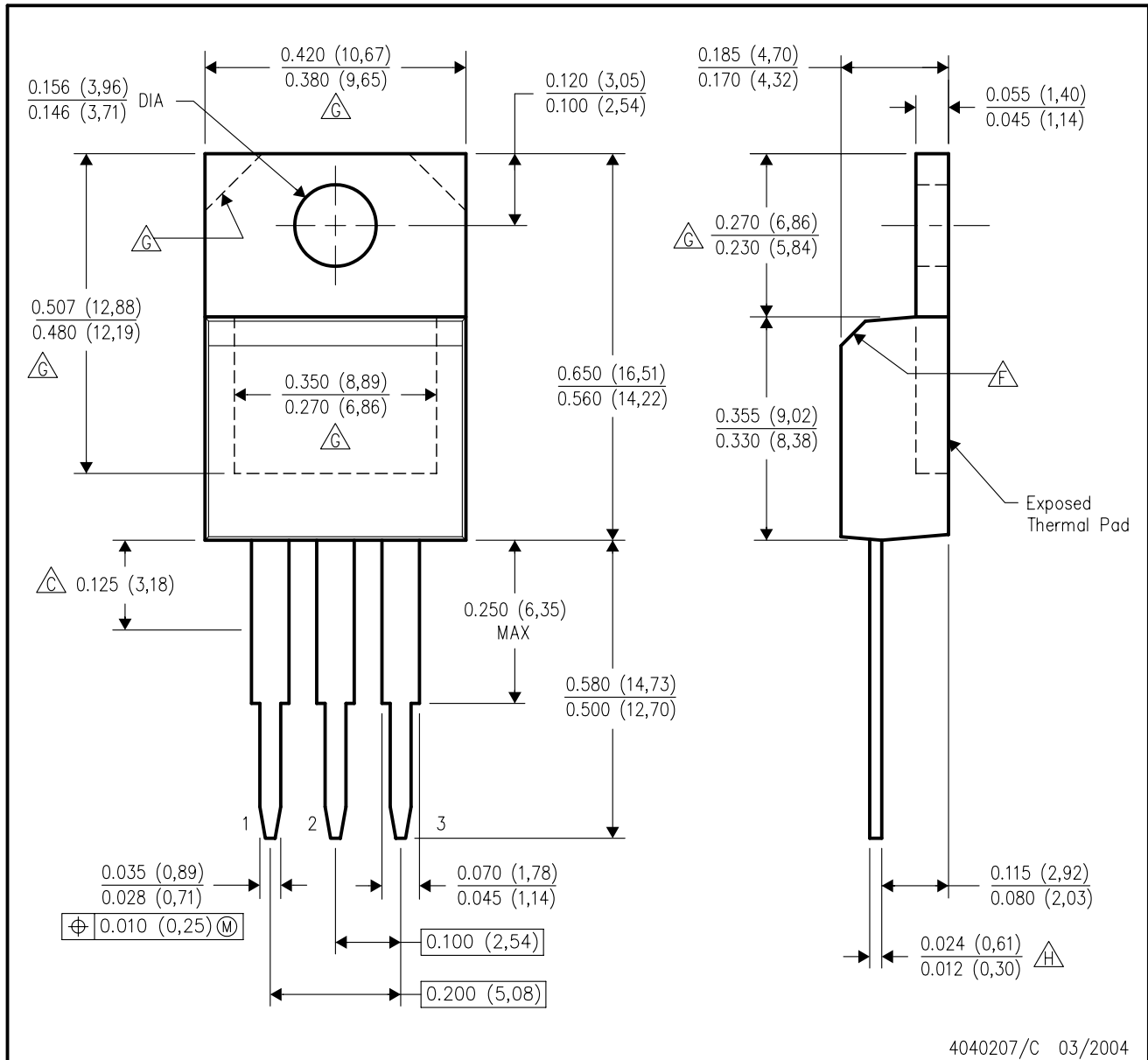


- NOTES:
- A. All linear dimensions are in inches (millimeters).
  - B. This drawing is subject to change without notice.
  - C. Lead dimensions are not controlled within this area.
  - D. All lead dimensions apply before solder dip.
  - E. The center lead is in electrical contact with the mounting tab.
  - F. The chamfer is optional.
  - G. Thermal pad contour optional within these dimensions.
  - H. Falls within JEDEC TO-220 variation AB, except minimum lead thickness.



KC (R-PSFM-T3)

PLASTIC FLANGE-MOUNT PACKAGE



- NOTES:
- A. All linear dimensions are in inches (millimeters).
  - B. This drawing is subject to change without notice.
  - $\triangle C$  Lead dimensions are not controlled within this area.
  - D. All lead dimensions apply before solder dip.
  - E. The center lead is in electrical contact with the mounting tab.
  - $\triangle F$  The chamfer is optional.
  - $\triangle G$  Thermal pad contour optional within these dimensions.
  - $\triangle H$  Falls within JEDEC TO-220 variation AB, except minimum lead thickness.

## IMPORTANT NOTICE

Texas Instruments Incorporated and its subsidiaries (TI) reserve the right to make corrections, modifications, enhancements, improvements, and other changes to its products and services at any time and to discontinue any product or service without notice. Customers should obtain the latest relevant information before placing orders and should verify that such information is current and complete. All products are sold subject to TI's terms and conditions of sale supplied at the time of order acknowledgment.

TI warrants performance of its hardware products to the specifications applicable at the time of sale in accordance with TI's standard warranty. Testing and other quality control techniques are used to the extent TI deems necessary to support this warranty. Except where mandated by government requirements, testing of all parameters of each product is not necessarily performed.

TI assumes no liability for applications assistance or customer product design. Customers are responsible for their products and applications using TI components. To minimize the risks associated with customer products and applications, customers should provide adequate design and operating safeguards.

TI does not warrant or represent that any license, either express or implied, is granted under any TI patent right, copyright, mask work right, or other TI intellectual property right relating to any combination, machine, or process in which TI products or services are used. Information published by TI regarding third-party products or services does not constitute a license from TI to use such products or services or a warranty or endorsement thereof. Use of such information may require a license from a third party under the patents or other intellectual property of the third party, or a license from TI under the patents or other intellectual property of TI.

Reproduction of information in TI data books or data sheets is permissible only if reproduction is without alteration and is accompanied by all associated warranties, conditions, limitations, and notices. Reproduction of this information with alteration is an unfair and deceptive business practice. TI is not responsible or liable for such altered documentation.

Resale of TI products or services with statements different from or beyond the parameters stated by TI for that product or service voids all express and any implied warranties for the associated TI product or service and is an unfair and deceptive business practice. TI is not responsible or liable for any such statements.

Following are URLs where you can obtain information on other Texas Instruments products and application solutions:

<b>Products</b>		<b>Applications</b>	
Amplifiers	<a href="http://amplifier.ti.com">amplifier.ti.com</a>	Audio	<a href="http://www.ti.com/audio">www.ti.com/audio</a>
Data Converters	<a href="http://dataconverter.ti.com">dataconverter.ti.com</a>	Automotive	<a href="http://www.ti.com/automotive">www.ti.com/automotive</a>
DSP	<a href="http://dsp.ti.com">dsp.ti.com</a>	Broadband	<a href="http://www.ti.com/broadband">www.ti.com/broadband</a>
Interface	<a href="http://interface.ti.com">interface.ti.com</a>	Digital Control	<a href="http://www.ti.com/digitalcontrol">www.ti.com/digitalcontrol</a>
Logic	<a href="http://logic.ti.com">logic.ti.com</a>	Military	<a href="http://www.ti.com/military">www.ti.com/military</a>
Power Mgmt	<a href="http://power.ti.com">power.ti.com</a>	Optical Networking	<a href="http://www.ti.com/opticalnetwork">www.ti.com/opticalnetwork</a>
Microcontrollers	<a href="http://microcontroller.ti.com">microcontroller.ti.com</a>	Security	<a href="http://www.ti.com/security">www.ti.com/security</a>
		Telephony	<a href="http://www.ti.com/telephony">www.ti.com/telephony</a>
		Video & Imaging	<a href="http://www.ti.com/video">www.ti.com/video</a>
		Wireless	<a href="http://www.ti.com/wireless">www.ti.com/wireless</a>

Mailing Address: Texas Instruments  
Post Office Box 655303 Dallas, Texas 75265