

Brushless DC Motor Controller

FEATURES

- Drives Power MOSFETs or Power Darlington's Directly
- 50V Open Collector High-Side Drivers
- Latched Soft Start
- High-speed Current-Sense Amplifier with Ideal Diode
- Pulse-by-Pulse and Average Current Sensing
- Over-Voltage and Under-Voltage Protection
- Direction Latch for Safe Direction Reversal
- Tachometer
- Trimmed Reference Sources 30mA
- Programmable Cross-Conduction Protection
- Two-Quadrant and Four-Quadrant Operation

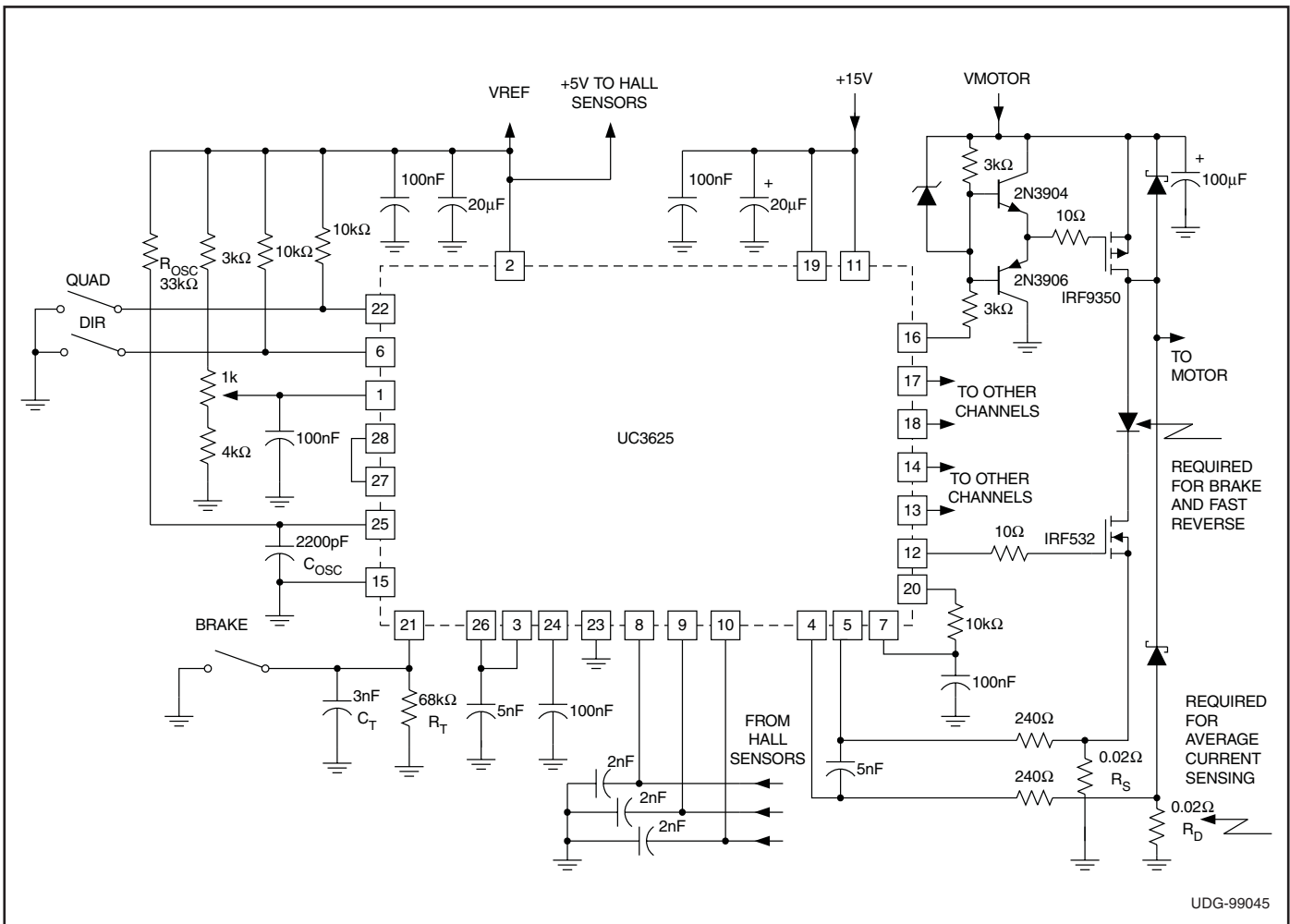
DESCRIPTION

The UC3625 family of motor controller ICs integrate most of the functions required for high-performance brushless DC motor control into one package. When coupled with external power MOSFETs or Darlington's, these ICs perform fixed-frequency PWM motor control in either voltage or current mode while implementing closed loop speed control and braking with smart noise rejection, safe direction reversal, and cross-conduction protection.

Although specified for operation from power supplies between 10V and 18V, the UC1625 can control higher voltage power devices with external level-shifting components. The UC1625 contains fast, high-current push-pull drivers for low-side power devices and 50V open-collector outputs for high-side power devices or level shifting circuitry.

The UC1625 is characterized for operation over the military temperature range of -55°C to $+125^{\circ}\text{C}$, while the UC2625 is characterized from -40°C to $+105^{\circ}\text{C}$ and the UC3625 is characterized from 0°C to 70°C . (NOTE: ESD Protection to 2kV)

TYPICAL APPLICATION



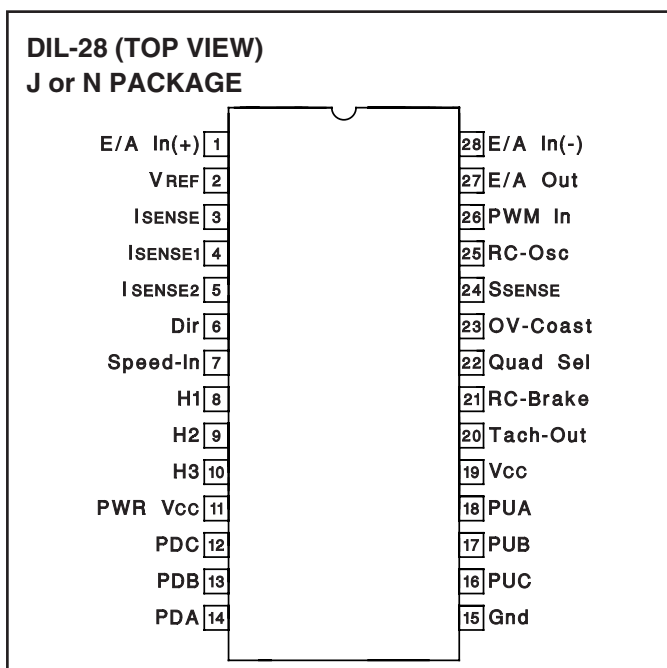
ABSOLUTE MAXIMUM RATINGS

| | |
|---|--------------------|
| V _{CC} Supply Voltage | +20V |
| Pwr V _{CC} Supply Voltage | +20V |
| PWM In | -0.3 to 6V |
| E/A IN(+), E/A IN(-) | -0.3 to 12V |
| I _{SENSE1} , I _{SENSE2} | -1.3 to 6V |
| OV-Coast, Dir, Speed-In, SSTART, Quad Sel | -0.3 to 8V |
| H1, H2, H3 | -0.3 to 12V |
| PU Output Voltage | -0.3 to 50V |
| PU Output Current | +200 mA continuous |
| PD Output Current | ±200 mA continuous |
| E/A Output Current | ±10 mA |
| I _{SENSE} Output Current | -10 mA |
| Tach Out Output Current | ±10 mA |
| V _{REF} Output Current | -50 mA continuous |
| Operating Temperature Range UC1625 | -55°C to 125°C |
| Operating Temperature Range UC2625 | -40°C to 105°C |
| Operating Temperature Range UC3625 | 0°C to 70°C |

Note 1: Currents are positive into and negative out of the specified terminal.

Note 2: Consult Unitorde Integrated Circuits databook for information regarding thermal specifications and limitations of packages.

CONNECTION DIAGRAM



Note 3: This pinout applies to the SOIC (DW), PLCC (Q), and LCC (L) packages (ie. pin 22 has the same function on all packages.)

ELECTRICAL CHARACTERISTICS: Unless otherwise stated, these specifications apply for: T_A = 25°C; Pwr V_{CC} = V_{CC} = 12V; R_{OSC} = 20k to V_{REF}; C_{OSC} = 2nF; R_{TACH} = 33k; C_{TACH} = 10nF; and all outputs unloaded. T_A = T_J.

| PARAMETER | TEST CONDITIONS | MIN | TYP | MAX | UNITS |
|------------------------------------|------------------------------------|------|------|------|-------|
| Overall | | | | | |
| Supply current | Over Operating Range | | 14.5 | 30.0 | mA |
| V _{CC} Turn-On Threshold | Over Operating Range | 8.65 | 8.95 | 9.45 | V |
| V _{CC} Turn-Off Threshold | Over Operating Range | 7.75 | 8.05 | 8.55 | V |
| Overvoltage/Coast | | | | | |
| OV-Coast Inhibit Threshold | Over Operating Range | 1.65 | 1.75 | 1.85 | V |
| OV-Coast Restart Threshold | | 1.55 | 1.65 | 1.75 | V |
| OV-Coast Hysteresis | | 0.05 | 0.10 | 0.15 | V |
| OV-Coast Input Current | | -10 | -1 | 0 | μA |
| Logic Inputs | | | | | |
| H1, H2, H3 Low Threshold | Over Operating Range | 0.8 | 1.0 | 1.2 | V |
| H1, H2, H3 High Threshold | Over Operating Range | 1.6 | 1.9 | 2.0 | V |
| H1, H2, H3 Input Current | Over Operating Range, to 0V | -400 | -250 | -120 | μA |
| Quad Sel, Dir Thresholds | Over Operating Range | 0.8 | 1.4 | 2.0 | V |
| Quad Sel Hysteresis | | | 70 | | mV |
| Dir Hysteresis | | | 0.6 | | V |
| Quad Sel Input Current | | -30 | 50 | 150 | μA |
| Dir Input Current | | -30 | -1 | 30 | μA |
| PWM Amp/Comparator | | | | | |
| E/A In(+), E/A In(-) Input Current | To 2.5V | -5.0 | -0.1 | 5.0 | μA |
| PWM In Input Current | To 2.5V | 0 | 3 | 30 | μA |
| Error Amp Input Offset | 0V < V _{COMMON-MODE} < 3V | -10 | | 10 | mV |
| Error Amp Voltage Gain | | 70 | 90 | | dB |

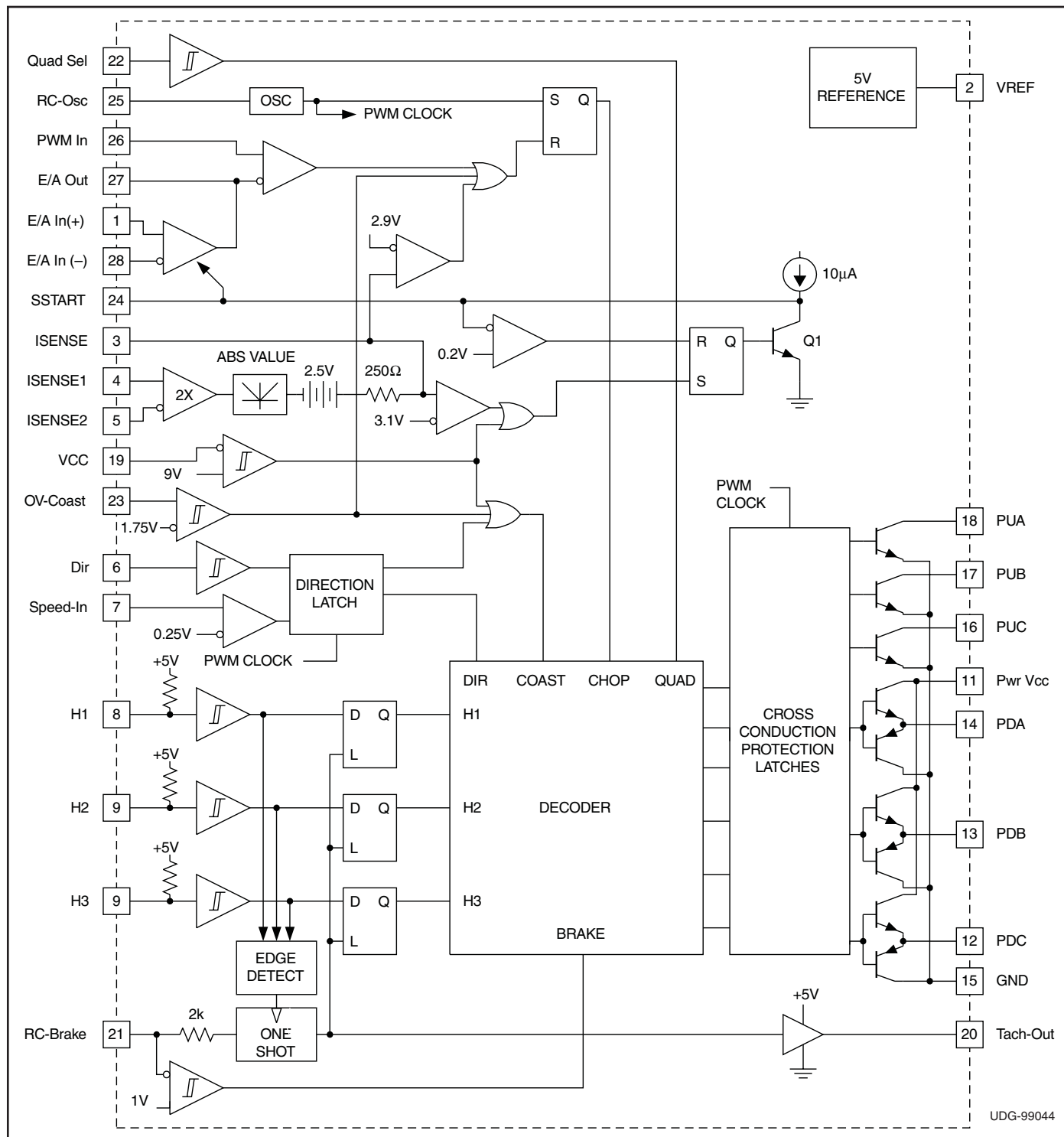
ELECTRICAL CHARACTERISTICS: Unless otherwise stated, these specifications apply for: $T_A = 25^\circ\text{C}$; $P_{wr} V_{CC} = V_{CC} = 12\text{V}$; $R_{OSC} = 20\text{k}$ to V_{REF} ; $C_{OSC} = 2\text{nF}$; $R_{TACH} = 33\text{k}$; $C_{TACH} = 10\text{nF}$; and all outputs unloaded. $T_A = T_J$.

| PARAMETER | TEST CONDITIONS | MIN | TYP | MAX | UNITS |
|--|---|------|------|------|-------|
| PWM Amp/Comparator (cont.) | | | | | |
| E/A Out Range | | 0.25 | | 3.50 | V |
| S _{START} Pull-up Current | To 0V | -16 | -10 | -5 | μA |
| S _{START} Discharge Current | To 2.5V | 0.1 | 0.4 | 3.0 | mA |
| S _{START} Restart Threshold | | 0.1 | 0.2 | 0.3 | V |
| Current Amp | | | | | |
| Gain | $I_{SENSE1} = .3\text{V}$, $I_{SENSE2} = .5\text{V}$ to $.7\text{V}$ | 1.75 | 1.95 | 2.15 | V/V |
| Level Shift | $I_{SENSE1} = .3\text{V}$, $I_{SENSE2} = .3\text{V}$ | 2.4 | 2.5 | 2.65 | V |
| Peak Current Threshold | $I_{SENSE1} = 0\text{V}$, Force I_{SENSE2} | 0.14 | 0.20 | 0.26 | V |
| Over Current Threshold | $I_{SENSE1} = 0\text{V}$, Force I_{SENSE2} | 0.26 | 0.30 | 0.36 | V |
| I_{SENSE1} , I_{SENSE2} Input Current | To 0V | -850 | -320 | 0 | μA |
| I_{SENSE1} , I_{SENSE2} Offset Current | To 0V | | ±2 | ±12 | μA |
| Range I_{SENSE1} , I_{SENSE2} | | -1 | | 2 | V |
| Tachometer/Brake | | | | | |
| Tach-Out High Level | Over Operating Range, 10k to 2.5V | 4.7 | 5 | 5.3 | V |
| Tach-Out Low Level | Over Operating Range, 10k to 2.5V | | | 0.2 | V |
| On Time | | 170 | 220 | 280 | μs |
| On Time Change With Temp | Over Operating Range | | 0.1 | | % |
| RC-Brake Input Current | To 0V | -4.0 | -1.9 | | mA |
| Threshold to Brake, RC-Brake | Over Operating Range | 0.8 | 1.0 | 1.2 | V |
| Brake Hysteresis, RC-Brake | | | 0.09 | | V |
| Speed-In Threshold | Over Operating Range | 220 | 257 | 290 | mV |
| Speed-In Input Current | | -30 | -5 | 30 | μA |
| Low-Side Drivers | | | | | |
| V_{oh} , -1mA, Down From V_{CC} | Over Operating Range | | 1.60 | 2.1 | |
| V_{Voh} , -50mA, Down From V_{CC} | Over Operating Range | | 1.75 | 2.2 | V |
| V_{ol} , 1mA | Over Operating Range | | 0.05 | 0.4 | V |
| V_{ol} , 50mA | Over Operating Range | | 0.36 | 0.8 | V |
| Rise/Fall Time | 10% to 90% Slew Time, into 1nF | | 50 | | ns |
| High-Side Drivers | | | | | |
| V_{ol} , 1mA | Over Operating Range | | 0.1 | 0.4 | V |
| V_{ol} , 50mA | Over Operating Range | | 1.0 | 1.8 | V |
| Leakage Current | Output Voltage = 50V | | | 25 | μA |
| Fall Time | 10% to 90% Slew Time, 50mA Load | | 50 | | ns |
| Oscillator | | | | | |
| Frequency | | 40 | 50 | 60 | kHz |
| Frequency | Over Operating Range | 35 | | 65 | kHz |
| Reference | | | | | |
| Output Voltage | | 4.9 | 5.0 | 5.1 | V |
| Output Voltage | Over Operating Range | 4.7 | 5.0 | 5.3 | V |
| Load Regulation | 0mA to -20mA Load | -40 | -5 | | mV |
| Line Regulation | 10V to 18V V_{CC} | -10 | -1 | 10 | mV |
| Short Circuit Current | Over Operating Range | 50 | 100 | 150 | mA |

ELECTRICAL CHARACTERISTICS: Unless otherwise stated, these specifications apply for: $T_A = 25^\circ\text{C}$; Pwr $V_{CC} = V_{CC} = 12\text{V}$; $R_{OSC} = 20\text{k}$ to V_{REF} ; $C_{OSC} = 2\text{nF}$; $R_{TACH} = 33\text{k}$; $C_{TACH} = 10\text{nF}$; and all outputs unloaded. $T_A = T_J$.

| PARAMETER | TEST CONDITIONS | MIN | TYP | MAX | UNITS |
|-----------------------|-----------------|-----|-----|-----|---------------|
| Miscellaneous | | | | | |
| Output Turn-On Delay | | | 1 | | μs |
| Output Turn-Off Delay | | | 1 | | μs |

BLOCK DIAGRAM



UDG-99044

PIN DESCRIPTIONS

Dir, Speed-In: The position decoder logic translates the Hall signals and the Dir signal to the correct driver signals (PUs and PDs). To prevent output stage damage, the signal on Dir is first loaded into a direction latch, then shifted through a two-bit register.

As long as Speed-In is less than 250mV, the direction latch is transparent. When Speed-In is higher than 250mV, the direction latch inhibits all changes in direction. Speed-In can be connected to Tach-Out through a filter, so that the direction latch is only transparent when the motor is spinning slowly, and has too little stored energy to damage power devices.

Additional circuitry detects when the input and output of the direction latch are different, or when the input and output of the shift register are different, and inhibits all output drives during that time. This can be used to allow the motor to coast to a safe speed before reversing.

The shift register guarantees that direction can't be changed instantaneously. The register is clocked by the PWM oscillator, so the delay between direction changes is always going to be between one and two oscillator periods. At 40kHz, this corresponds to a delay of between 25µs and 50µs. Regardless of output stage, 25µs dead time should be adequate to guarantee no overlap cross-conduction. Toggling DIR will cause an output pulse on Tach-Out regardless of motor speed.

E/A In(+), E/A In(-), E/A Out, PWM In: E/A In(+) and E/A In(-) are not internally committed to allow for a wide variety of uses. They can be connected to the I_{SENSE}, to Tach-Out through a filter, to an external command voltage, to a D/A converter for computer control, or to another op amp for more elegant feedback loops. The error amplifier is compensated for unity gain stability, so E/A Out can be tied to E/A In(-) for feedback and major loop compensation.

E/A Out and PWM In drive the PWM comparator. For voltage-mode PWM systems, PWM In can be connected to RC-Osc. The PWM comparator clears the PWM latch, commanding the outputs to chop.

The error amplifier can be biased off by connecting E/A In(-) to a higher voltage than E/A In(+). When biased off, E/A Out will appear to the application as a resistor to ground. E/A Out can then be driven by an external amplifier.

GND: All thresholds and outputs are referred to the GND pin except for the PD and PU outputs.

H1, H2, H3: The three shaft-position sensor inputs consist of hysteresis comparators with input pull-up resistors. Logic thresholds meet TTL specifications and can be driven by 5V CMOS, 12V CMOS, NMOS, or open-collectors.

Connect these inputs to motor shaft position sensors that are positioned 120 electrical degrees apart. If noisy signals are expected, zener clamp and filter these inputs with 6V zeners and an RC filter. Suggested filtering components are 1kΩ and 2nF. Edge skew in the filter is not a problem, because sensors normally generate modified Gray code with only one output changing at a time, but rise and fall times must be shorter than 20µs for correct tachometer operation.

Motors with 60 electrical degree position sensor coding can be used if one or two of the position sensor signals is inverted.

I_{SENSE1}, I_{SENSE2}, I_{SENSE}: The current sense amplifier has a fixed gain of approximately two. It also has a built-in level shift of approximately 2.5V. The signal appearing on I_{SENSE} is:

$$I_{SENSE} = 2.5V + (2 \cdot ABS(I_{SENSE1} - I_{SENSE2}))$$

I_{SENSE1} and I_{SENSE2} are interchangeable and can be used as differential inputs. The differential signal applied can be as high as ±0.5V before saturation.

If spikes are expected on I_{SENSE1} or I_{SENSE2}, they are best filtered by a capacitor from I_{SENSE} to ground. Filtering this way allows fast signal inversions to be correctly processed by the absolute value circuit. The peak-current comparator allows the PWM to enter a current-limit mode with current in the windings never exceeding approximately 0.2V/R_{SENSE}. The over current comparator provides a fail-safe shutdown in the unlikely case of current exceeding 0.3V/R_{SENSE}. Then, soft start is commanded, and all outputs are turned off until the high current condition is removed. It is often essential to use some filter driving I_{SENSE1} and I_{SENSE2} to reject extreme spikes and to control slew rate. Reasonable starting values for filter components might be 250Ω series resistors and a 5nF capacitor between I_{SENSE1} and I_{SENSE2}. Input resistors should be kept small and matched to maintain gain accuracy.

OV-Coast: This input can be used as an over-voltage shutdown in put, as a coast input, or both. This input can be driven by TTL, 5V CMOS, or 12V CMOS.

PIN DESCRIPTIONS (cont.)

PDA, PDB, PDC: These outputs can drive the gates of N-Channel power MOSFETs directly or they can drive the bases of power Darlington's if some form of current limiting is used. They are meant to drive low-side power devices in high-current output stages. Current available from these pins can peak as high as 0.5A. These outputs feature a true totem-pole output stage. Beware of exceeding IC power dissipation limits when using these outputs for high continuous currents. These outputs pull high to turn a "low-side" device on (active high).

PUA, PUB, PUC: These outputs are open-collector, high-voltage drivers that are meant to drive high-side power devices in high-current output stages. These are active low outputs, meaning that these outputs pull low to command a high-side device on. These outputs can drive low-voltage PNP Darlington's and P-channel MOSFETs directly, and can drive any high-voltage device using external charge-pump techniques, transformer signal coupling, cascode level-shift transistors, or opto-isolated drive (high-speed opto devices are recommended). (See applications).

PWR V_{CC}: This supply pin carries the current sourced by the PD outputs. When connecting PD outputs directly to the bases of power Darlington's, the PWR V_{CC} pin can be current limited with a resistor. Darlington outputs can also be "Baker Clamped" with diodes from collectors back to PWR V_{CC}. (See Applications)

Quad Sel: The IC can chop power devices in either of two modes, referred to as "two-quadrant" (Quad Sel low) and "four-quadrant" (Quad Sel high). When two-quadrant chopping, the pull-down power devices are chopped by the output of the PWM latch while the pull-up drivers remain on. The load will chop into one commutation diode, and except for back-EMF, will exhibit slow discharge current and faster charge current. Two-quadrant chopping can be more efficient than four-quadrant.

When four-quadrant chopping, all power drivers are chopped by the PWM latch, causing the load current to flow into two diodes during chopping. This mode exhibits better control of load current when current is low, and is preferred in servo systems for equal control over acceleration and deceleration. The Quad Sel input has no effect on operation during braking.

RC-Brake: Each time the Tach-Out pulses, the capacitor tied to RC-Brake discharges from approximately 3.33V down to 1.67V through a resistor. The tachometer pulse width is approximately $T = 0.67 R_T C_T$, where R_T and C_T are a resistor and capacitor from RC-Brake to

ground. Recommended values for R_T are 10k Ω to 500k Ω , and recommended values for C_T are 1nF to 100nF, allowing times between 5 μ s and 10ms. Best accuracy and stability are achieved with values in the centers of those ranges.

RC-Brake also has another function. If RC-Brake pin is pulled below the brake threshold, the IC will enter brake mode. This mode consists of turning off all three high-side devices, enabling all three low-side devices, and disabling the tachometer. The only things that inhibit low-side device operation in braking are low-supply, exceeding peak current, OV-Coast command, and the PWM comparator signal. The last of these means that if current sense is implemented such that the signal in the current sense amplifier is proportional to braking current, the low-side devices will brake the motor with current control. (See applications) Simpler current sense connections will result in uncontrolled braking and potential damage to the power devices.

RC-Osc: The UC3625 can regulate motor current using fixed-frequency pulse width modulation (PWM). The RC-Osc pin sets oscillator frequency by means of timing resistor R_{OSC} from the RC-Osc pin to V_{REF} and capacitor C_{OSC} from RC-Osc to Gnd. Resistors 10k Ω to 100k Ω and capacitors 1nF to 100nF will work best, but frequency should always be below 500kHz. Oscillator frequency is approximately:

$$F = \frac{2}{(R_{OSC} \cdot C_{OSC})}$$

Additional components can be added to this device to cause it to operate as a fixed off-time PWM rather than a fixed frequency PWM, using the RC-Osc pin to select the monostable time constant.

The voltage on the RC-Osc pin is normally a ramp of about 1.2V peak-to-peak, centered at approximately 1.6V. This ramp can be used for voltage-mode PWM control, or can be used for slope compensation in current-mode control.

S_{START}: Any time that V_{CC} drops below threshold or the sensed current exceeds the over-current threshold, the soft-start latch is set. When set, it turns on a transistor that pulls down on S_{START} . Normally, a capacitor is connected to this pin, and the transistor will completely discharge the capacitor. A comparator senses when the NPN transistor has completely discharged the capacitor, and allows the soft-start latch to clear when the fault is removed. When the fault is removed, the soft-start capacitor will charge from the on-chip current source.

PIN DESCRIPTIONS (cont.)

S_{START} clamps the output of the error amplifier, not allowing the error amplifier output voltage to exceed S_{START} regardless of input. The ramp on RC-Osc can be applied to PWM In and compared to E/A Out. With S_{START} discharged below 0.2V and the ramp minimum being approximately 1.0V, the PWM comparator will keep the PWM latch cleared and the outputs off. As S_{START} rises, the PWM comparator will begin to duty-cycle modulate the PWM latch until the error amplifier inputs overcome the clamp. This provides for a safe and orderly motor start-up from an off or fault condition.

Tach-Out: Any change in the H1, H2, or H3 inputs loads data from these inputs into the position sensor latches. At the same time data is loaded, a fixed-width 5V pulse is triggered on Tach-Out. The average value of the voltage on Tach-Out is directly proportional to speed, so this output can be used as a true tachometer for speed feedback with an external filter or averaging circuit which usually consists of a resistor and capacitor.

Whenever Tach-Out is high, the position latches are inhibited, such that during the noisiest part of the commu-

tation cycle, additional commutations are not possible. Although this will effectively set a maximum rotational speed, the maximum speed can be set above the highest expected speed, preventing false commutation and chatter.

V_{CC} : This device operates with supplies between 10V and 18V. Under-voltage lockout keeps all outputs off below 7.5V, insuring that the output transistors never turn on until full drive capability is available. Bypass V_{CC} to ground with an 0.1 μ F ceramic capacitor. Using a 10 μ F electrolytic bypass capacitor as well can be beneficial in applications with high supply impedance.

V_{REF} : This pin provides regulated 5 volts for driving Hall-effect devices and speed control circuitry. V_{REF} will reach +5V before V_{CC} enables, ensuring that Hall-effect devices powered from V_{REF} will become active before the UC3625 drives any output. Although V_{REF} is current limited, operation over 30mA is not advised. For proper performance V_{REF} should be bypassed with at least a 0.1 μ F capacitor to ground.

APPLICATION INFORMATION

Cross Conduction Prevention

The UC3625 inserts delays to prevent cross conduction due to overlapping drive signals. However, some thought must always be given to cross conduction in output stage design because no amount of dead time can prevent fast slewing signals from coupling drive to a power device through a parasitic capacitance.

The UC3625 contains input latches that serve as noise blanking filters. These latches remain transparent through any phase of a motor rotation and latch immediately after an input transition is detected. They remain latched for two cycles of the PWM oscillator. At a PWM oscillator speed of 20kHz, this corresponds to 50 μ s to 100 μ s of blank time which limits maximum rotational speed to 100kRPM for a motor with six transitions per rotation or 50kRPM for a motor with 12 transitions per rotation.

This prevents noise generated in the first 50 μ s of a transition from propagating to the output transistors and causing cross-conduction or chatter.

The UC3625 also contains six flip flops corresponding to the six output drive signals. One of these flip flops is set every time that an output drive signal is turned on, and

cleared two PWM oscillator cycles after that drive signal is turned off. The output of each flip flop is used to inhibit drive to the opposing output (see below). In this way, it is impossible to turn on driver PUA and PDA at the same time. It is also impossible for one of these drivers to turn on without the other driver having been off for at least two PWM oscillator clocks.

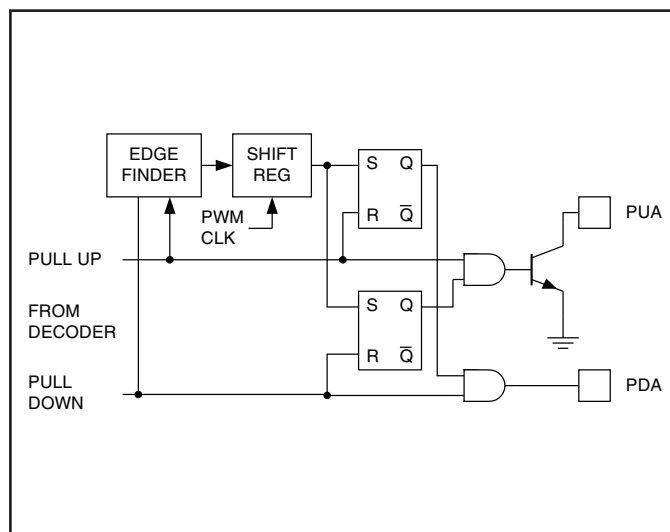


Figure 1. Cross conduction prevention.

TYPICAL CHARACTERISTICS

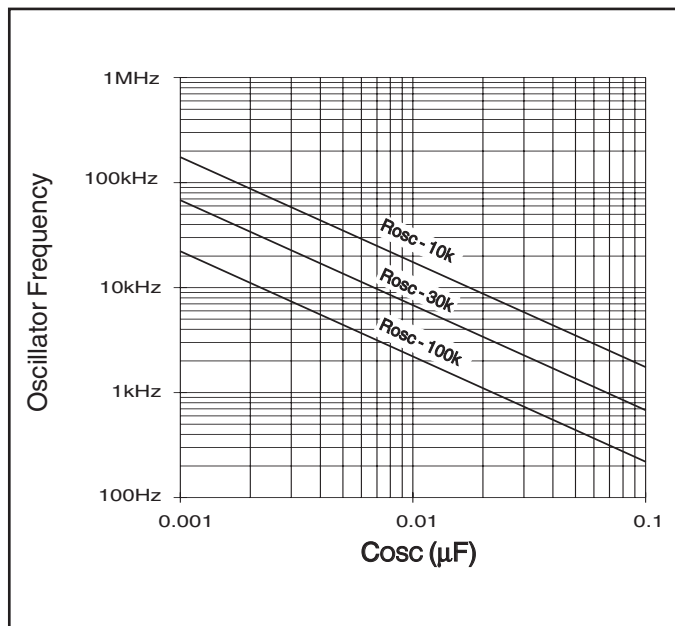


Figure 2. Oscillator frequency vs. C_{OSC} and R_{OSC} .

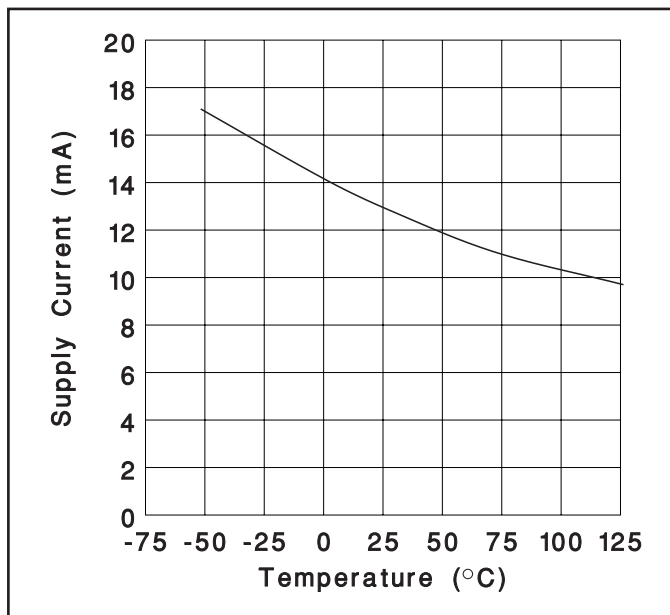


Figure 4. Supply current vs. temperature.

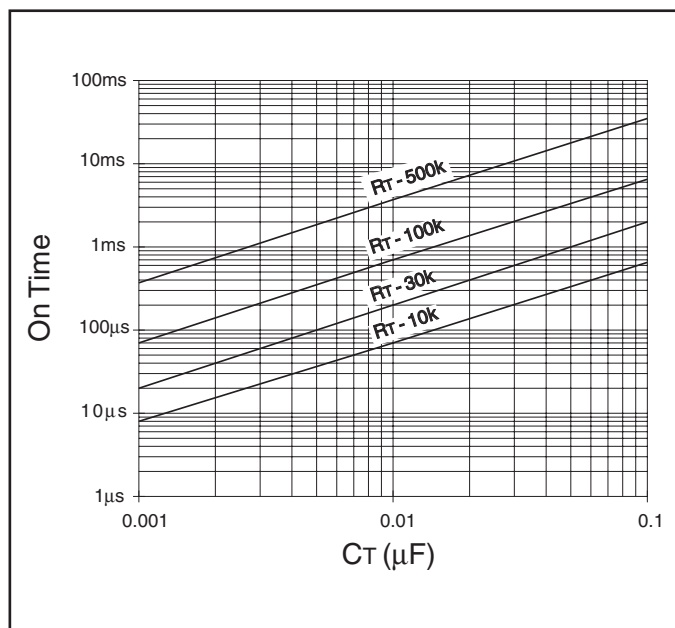


Figure 3. Tachometer on time vs R_T and C_T .

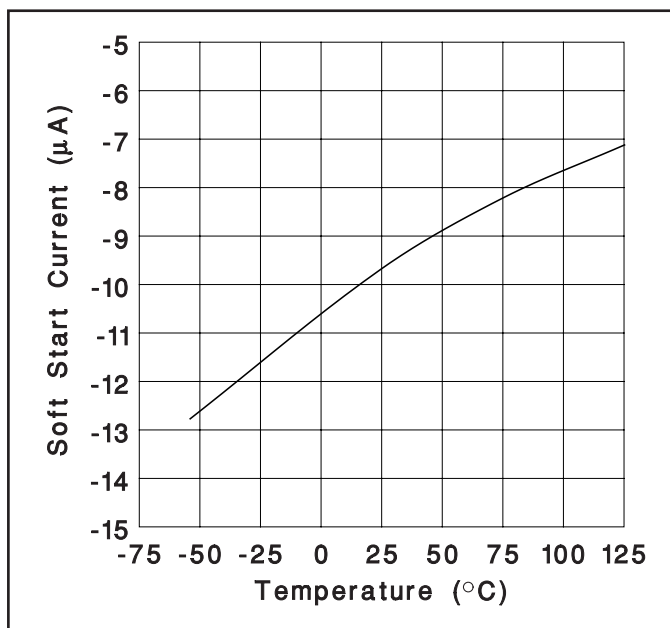


Figure 5. Soft start pull-up current vs temperature.

TYPICAL CHARACTERISTICS (cont.)

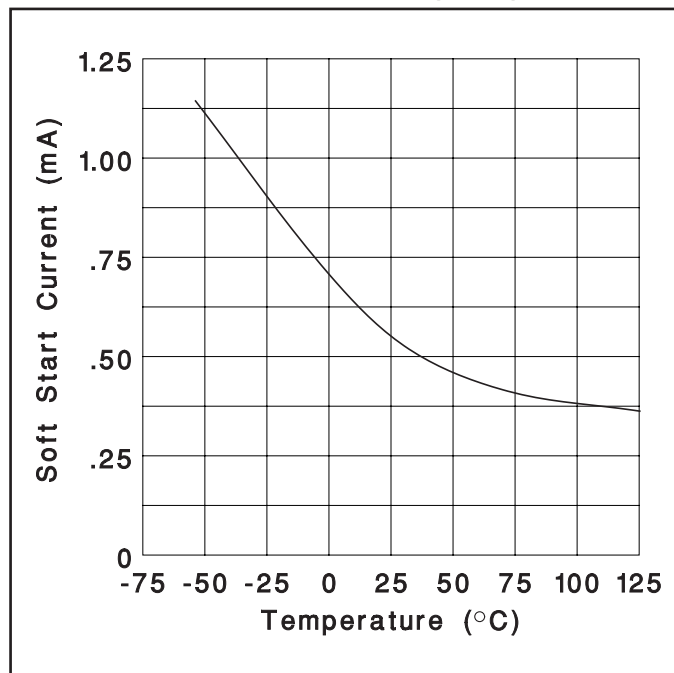


Figure 6. Soft start discharge current vs. temperature.

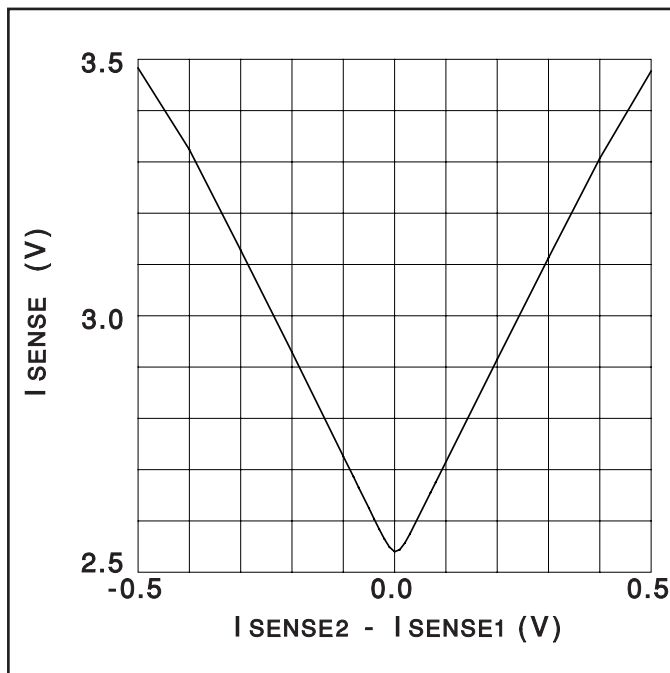


Figure 7. Current sense amplifier transfer function.

APPLICATION INFORMATION (cont.)

Power Stage Design

The UC3625 is useful in a wide variety of applications, including high-power in robotics and machinery. The power output stages used in such equipment can take a number of forms, according to the intended performance and purpose of the system. Below are four different power stages with the advantages and disadvantages of each shown.

For high-frequency chopping, fast recovery circulating diodes are essential. Six are required to clamp the windings. These diodes should have a continuous current rating at least equal to the operating motor current, since diode conduction duty-cycle can be high. For low-voltage systems, Schottky diodes are preferred. In higher voltage systems, diodes such as Microsemi UHVP high voltage platinum rectifiers are recommended.

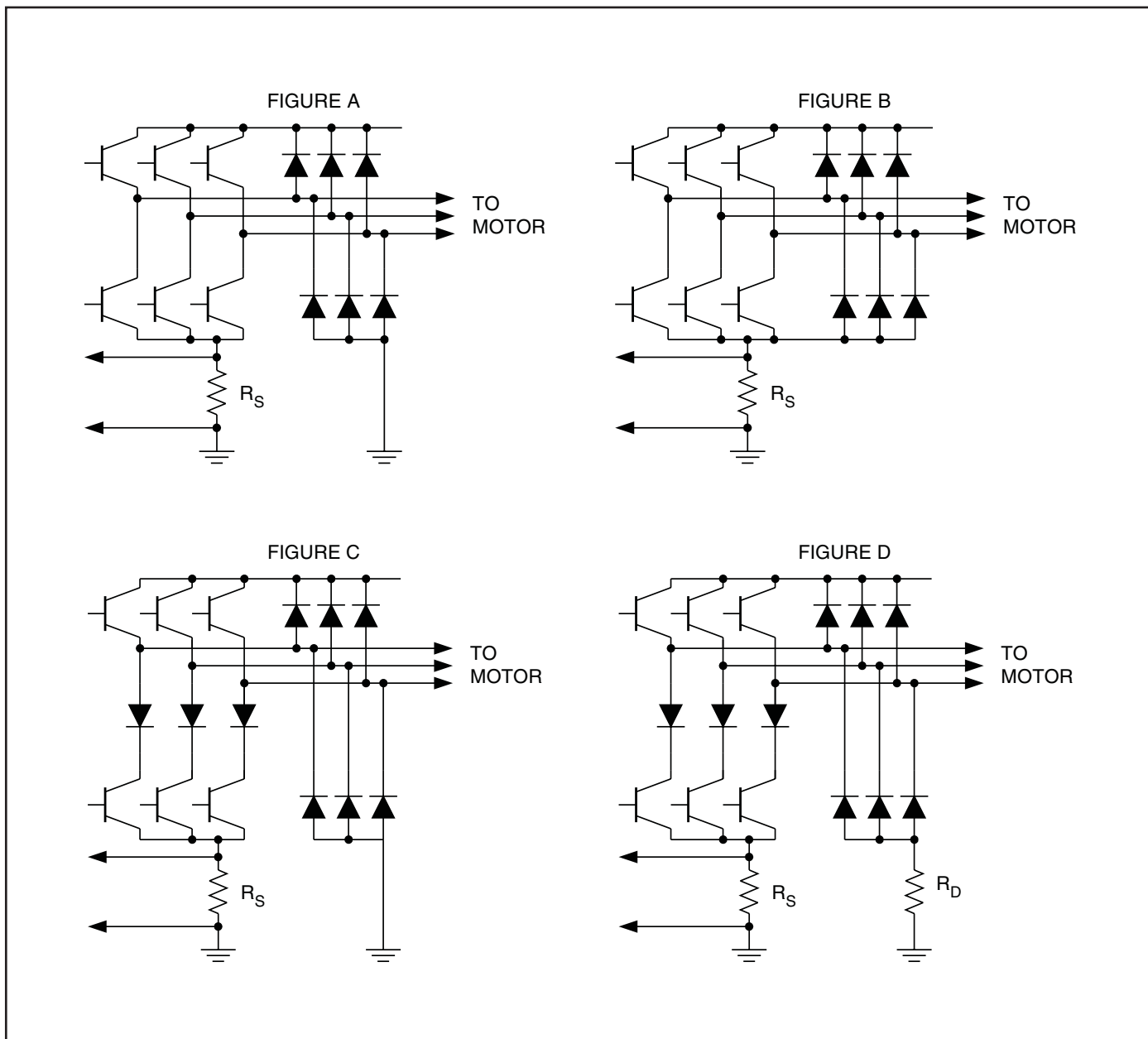
In a pulse-by-pulse current control arrangement, current sensing is done by resistor R_S , through which the transistor's currents are passed (Fig. A, B, and C). In these

cases, R_D is not needed. The low-side circulating diodes go to ground and the current sense terminals of the UC3625 (I_{SENSE1} and I_{SENSE2}) are connected to R_S through a differential RC filter. The input bias current of the current sense amplifier will cause a common mode offset voltage to appear at both inputs, so for best accuracy, keep the filter resistors below $2k\Omega$ and matched.

The current that flows through R_S is discontinuous because of chopping. It flows during the on time of the power stage and is zero during the off time. Consequently, the voltage across R_S consists of a series of pulses, occurring at the PWM frequency, with a peak value indicative of the peak motor current.

To sense average motor current instead of peak current, add another current sense resistor (R_D in Fig. D) to measure current in the low-side circulating diodes, and operate in four quadrant mode (pin 22 high). The negative voltage across R_D is corrected by the absolute value current sense amplifier. Within the limitations imposed by Table 1, the circuit of Fig. B can also sense average current.

APPLICATION INFORMATION (cont.)



| | 2 QUADRANT | 4 QUADRANT | SAFE BRAKING | POWER REVERSE | CURRENT SENSE | |
|----------|---------------|---------------|-----------------|---------------------|----------------|---------|
| | | | | | PULSE BY PULSE | AVERAGE |
| FIGURE A | YES | NO | NO | NO | YES | NO |
| FIGURE B | YES | YES | NO | IN 4-QUAD MODE ONLY | YES | YES |
| FIGURE C | YES | YES | YES | IN -4QUAD MODE ONLY | YES | NO |
| FIGURE D | YES | YES | YES | IN-4QUADMODE ONLY | YES | YES |

APPLICATION INFORMATION (cont.)

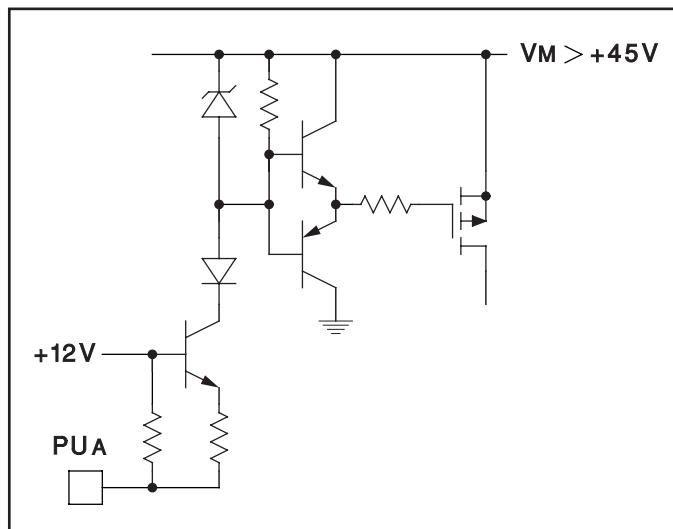


Figure 8. Fast high-side P-channel driver.

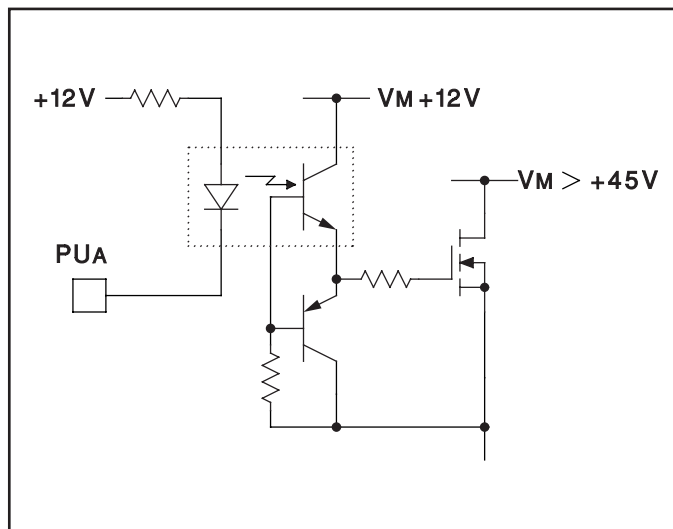


Figure 9. Optocoupled N-channel high-side driver.

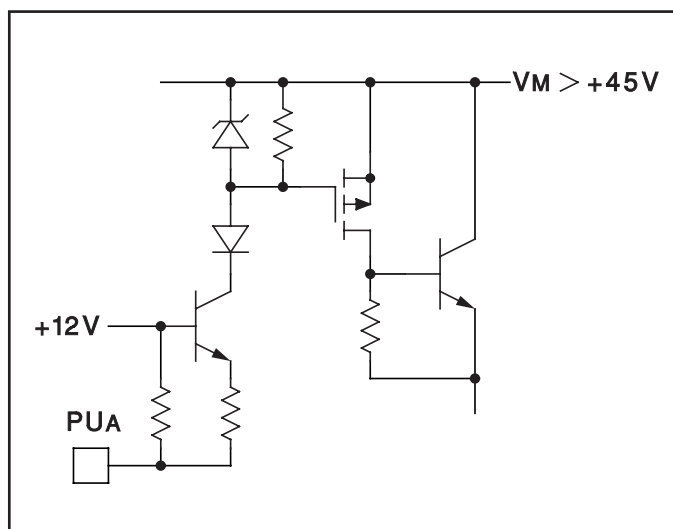


Figure 10. Power NPN high-side driver.

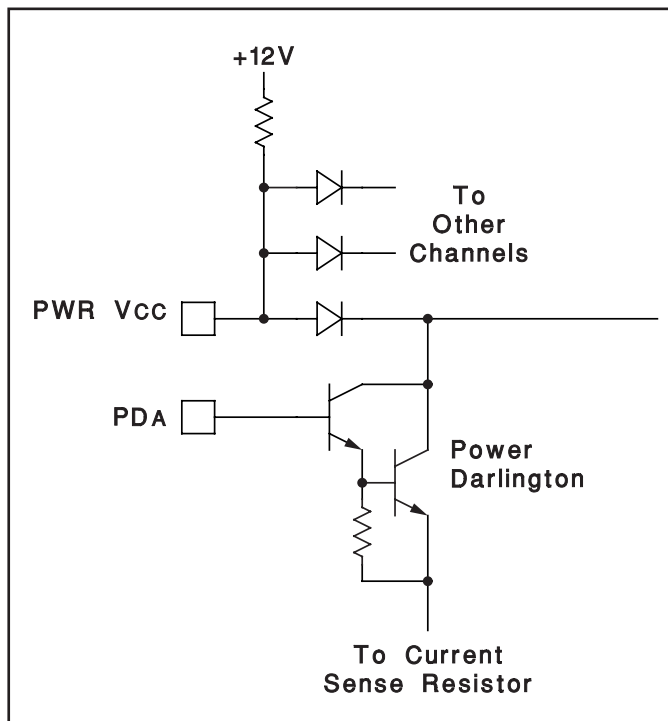


Figure 11. Power NPN low-side driver.

For drives where speed is critical, P-Channel MOSFETs can be driven by emitter followers as shown in Fig. 8. Here, both the level shift NPN and the PNP must withstand high voltages. A zener diode is used to limit gate-source voltage on the MOSFET. A series gate resistor is not necessary, but always advisable to control overshoot and ringing.

High-voltage optocouplers can quickly drive high-voltage MOSFETs if a boost supply of at least 10 volts greater than the motor supply is provided (See Fig. 9.) To protect the MOSFET, the boost supply should not be higher than 18 volts above the motor supply.

For under 200V 2-quadrant applications, a power NPN driven by a small P-Channel MOSFET will perform well as a high-side driver as in Fig. 10. A high voltage small-signal NPN is used as a level shift and a high voltage low-current MOSFET provides drive. Although the NPN will not saturate if used within its limitations, the base-emitter resistor on the NPN is still the speed limiting component.

Fig. 11 shows a power NPN Darlington drive technique using a clamp to prevent deep saturation. By limiting saturation of the power device, excessive base drive is minimized and turn-off time is kept fairly short. Lack of base series resistance also adds to the speed of this approach.

APPLICATION INFORMATION (cont.)

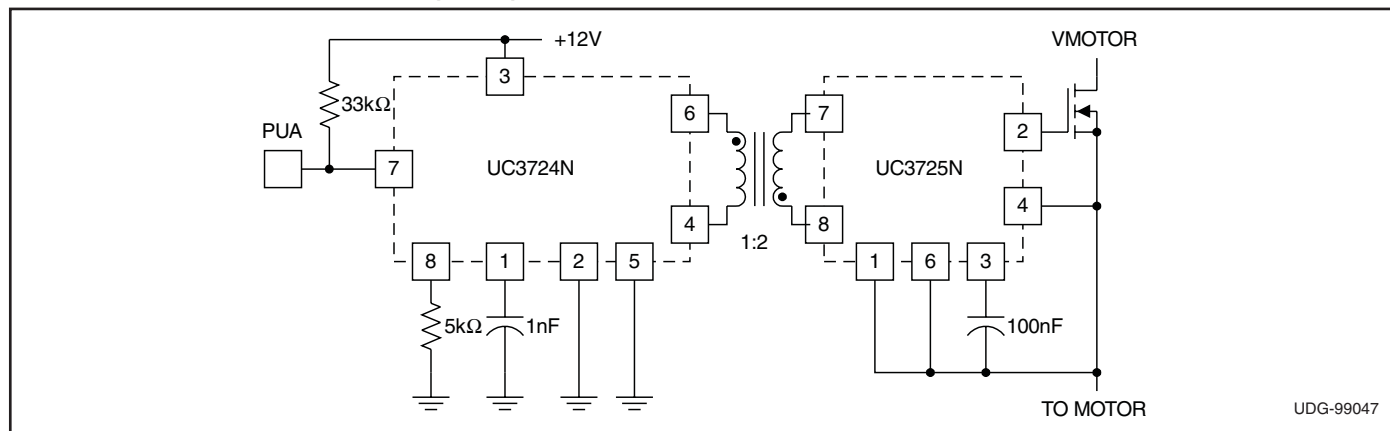


Figure 12. Fast high-side N-channel driver with transformer isolation.

Fast High-Side N-Channel Driver with Transformer Isolation

A small pulse transformer can provide excellent isolation between the UC3625 and a high-voltage N-Channel MOSFET while also coupling gate drive power. In this circuit (shown in Fig. 12), a UC3724 is used as a transformer driver/encoder that duty-cycle modulates the transformer with a 150kHz pulse train. The UC3725 rectifies this pulse train for gate drive power, demodulates the signal, and drives the gate with over 2 amp peak current.

Both the UC3724 and the UC3725 can operate up to 500kHz if the pulse transformer is selected appropriately. To raise the operating frequency, either lower the timing resistor of the UC3724 (1kΩ min), lower the timing capacitor of the UC3724 (500pF min) or both.

If there is significant capacitance between transformer primary and secondary, together with very high output slew rate, then it may be necessary to add clamp diodes from the transformer primary to +12V and ground. General purpose small signal switching diodes such as 1N4148 are normally adequate.

The UC3725 also has provisions for MOSFET current limiting. Consult the UC3725 data sheet for more information on implementing this.

Computational Truth Table

This table shows the outputs of the gate drive and open collector outputs for given hall input codes and direction signals. Numbers at the top of the columns are pin numbers.

These ICs operate with position sensor encoding that has either one or two signals high at a time, never all low or all high. This coding is sometimes referred to as “120° Coding” because the coding is the same as coding with position sensors spaced 120 magnetic degrees about the rotor. In response to these position sense signals, only one low-side driver will turn on (go high) and one high-side driver will turn on (pull low) at any time.

Table 1. Computational truth table.

| INPUTS | | | | OUTPUTS | | | | | |
|--------|----|----|----|----------|----|----|-----------|----|----|
| DIR | H1 | H2 | H3 | Low-Side | | | High-Side | | |
| 6 | 8 | 9 | 10 | 12 | 13 | 14 | 16 | 17 | 18 |
| 1 | 0 | 0 | 1 | L | H | L | L | H | H |
| 1 | 0 | 1 | 1 | L | L | H | L | H | H |
| 1 | 0 | 1 | 0 | L | L | H | H | L | H |
| 1 | 1 | 1 | 0 | H | L | L | H | L | H |
| 1 | 1 | 0 | 0 | H | L | L | H | H | L |
| 1 | 1 | 0 | 1 | L | H | L | H | H | L |
| 0 | 1 | 0 | 1 | L | L | H | H | L | H |
| 0 | 1 | 0 | 0 | L | L | H | L | H | H |
| 0 | 1 | 1 | 0 | L | H | L | L | H | H |
| 0 | 0 | 1 | 0 | L | H | L | H | H | L |
| 0 | 0 | 1 | 1 | H | L | L | H | H | L |
| 0 | 0 | 0 | 1 | H | L | L | H | L | H |
| X | 1 | 1 | 1 | L | L | L | H | H | H |
| X | 0 | 0 | 0 | L | L | L | H | H | H |

APPLICATION INFORMATION (cont.)

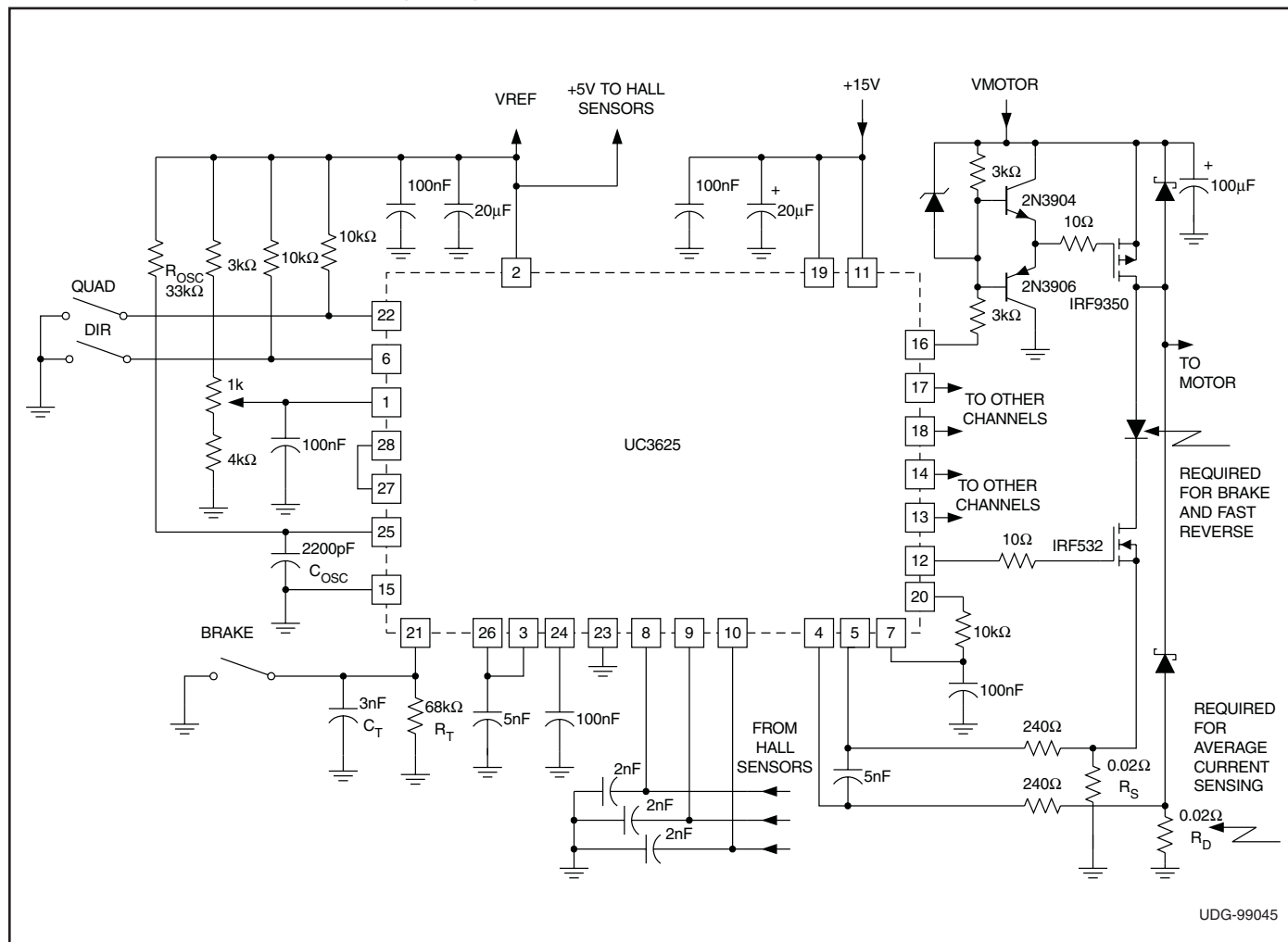


Figure 13. 45V/8A brushless DC motor drive circuit.

N-Channel power MOSFETs are used for low-side drivers, while P-Channel power MOSFETs are shown for high-side drivers. Resistors are used to level shift the UC3625 open-collector outputs, driving emitter followers into the MOSFET gate. A 12V zener clamp insures that the MOSFET gate-source voltage will never exceed 12V. Series 10Ω gate resistors tame gate reactance, preventing oscillations and minimizing ringing.

The oscillator timing capacitor should be placed close to pins 15 and 25, to keep ground current out of the capacitor. Ground current in the timing capacitor causes oscillator distortion and slaving to the commutation signal.

The potentiometer connected to pin 1 controls PWM duty cycle directly, implementing a crude form of speed control. This control is often referred to as "voltage mode" because the potentiometer position sets the average motor voltage. This controls speed because

steady-state motor speed is closely related to applied voltage.

Pin 20 (Tach-Out) is connected to pin 7 (SPEED IN) through an RC filter, preventing direction reversal while the motor is spinning quickly. In two-quadrant operation, this reversal can cause kinetic energy from the motor to be forced into the power MOSFETs.

A diode in series with the low-side MOSFETs facilitates PWM current control during braking by insuring that braking current will not flow backwards through low-side MOSFETs. Dual current-sense resistors give continuous current sense, whether braking or running in four-quadrant operation, an unnecessary luxury for two-quadrant operation.

The 68kΩ and 3nF tachometer components set maximum commutation time at 140μs. This permits smooth operation up to 35,000 RPM for four-pole motors, yet gives 140μs of noise blanking after commutation.

PACKAGING INFORMATION

| Orderable Device | Status ⁽¹⁾ | Package Type | Package Drawing | Pins | Package Qty | Eco Plan ⁽²⁾ | Lead/Ball Finish | MSL Peak Temp ⁽³⁾ |
|------------------|-----------------------|--------------|-----------------|------|-------------|-------------------------|------------------|------------------------------|
| 5962-9168901MXA | OBSOLETE | CDIP | J | 28 | | TBD | Call TI | Call TI |
| UC1625J | OBSOLETE | CDIP | J | 28 | | TBD | Call TI | Call TI |
| UC1625J883B | OBSOLETE | CDIP | J | 28 | | TBD | Call TI | Call TI |
| UC1625L | OBSOLETE | LCCC | FK | 28 | | TBD | Call TI | Call TI |
| UC1625L883B | OBSOLETE | LCCC | FK | 28 | | TBD | Call TI | Call TI |
| UC2625DW | ACTIVE | SOIC | DW | 28 | 20 | Green (RoHS & no Sb/Br) | CU NIPDAU | Level-2-260C-1 YEAR |
| UC2625DWTR | ACTIVE | SOIC | DW | 28 | 1000 | Green (RoHS & no Sb/Br) | CU NIPDAU | Level-2-260C-1 YEAR |
| UC2625N | ACTIVE | PDIP | N | 28 | 13 | TBD | Call TI | Level-NA-NA-NA |
| UC2625Q | ACTIVE | PLCC | FN | 28 | 37 | TBD | Call TI | Level-2-220C-1 YEAR |
| UC2625QTR | ACTIVE | PLCC | FN | 28 | 750 | TBD | Call TI | Level-2-220C-1 YEAR |
| UC3625DW | ACTIVE | SOIC | DW | 28 | 20 | Green (RoHS & no Sb/Br) | CU NIPDAU | Level-2-260C-1 YEAR |
| UC3625DWTR | ACTIVE | SOIC | DW | 28 | 1000 | Green (RoHS & no Sb/Br) | CU NIPDAU | Level-2-260C-1 YEAR |
| UC3625N | ACTIVE | PDIP | N | 28 | 13 | TBD | Call TI | Level-NA-NA-NA |
| UC3625Q | ACTIVE | PLCC | FN | 28 | 37 | TBD | Call TI | Level-2-220C-1 YEAR |
| UC3625QTR | ACTIVE | PLCC | FN | 28 | 750 | TBD | Call TI | Level-2-220C-1 YEAR |

⁽¹⁾ The marketing status values are defined as follows:

ACTIVE: Product device recommended for new designs.

LIFEBUY: TI has announced that the device will be discontinued, and a lifetime-buy period is in effect.

NRND: Not recommended for new designs. Device is in production to support existing customers, but TI does not recommend using this part in a new design.

PREVIEW: Device has been announced but is not in production. Samples may or may not be available.

OBSOLETE: TI has discontinued the production of the device.

⁽²⁾ Eco Plan - The planned eco-friendly classification: Pb-Free (RoHS) or Green (RoHS & no Sb/Br) - please check <http://www.ti.com/productcontent> for the latest availability information and additional product content details.

TBD: The Pb-Free/Green conversion plan has not been defined.

Pb-Free (RoHS): TI's terms "Lead-Free" or "Pb-Free" mean semiconductor products that are compatible with the current RoHS requirements for all 6 substances, including the requirement that lead not exceed 0.1% by weight in homogeneous materials. Where designed to be soldered at high temperatures, TI Pb-Free products are suitable for use in specified lead-free processes.

Green (RoHS & no Sb/Br): TI defines "Green" to mean Pb-Free (RoHS compatible), and free of Bromine (Br) and Antimony (Sb) based flame retardants (Br or Sb do not exceed 0.1% by weight in homogeneous material)

⁽³⁾ MSL, Peak Temp. -- The Moisture Sensitivity Level rating according to the JEDEC industry standard classifications, and peak solder temperature.

Important Information and Disclaimer:The information provided on this page represents TI's knowledge and belief as of the date that it is provided. TI bases its knowledge and belief on information provided by third parties, and makes no representation or warranty as to the accuracy of such information. Efforts are underway to better integrate information from third parties. TI has taken and continues to take reasonable steps to provide representative and accurate information but may not have conducted destructive testing or chemical analysis on incoming materials and chemicals. TI and TI suppliers consider certain information to be proprietary, and thus CAS numbers and other limited information may not be available for release.

In no event shall TI's liability arising out of such information exceed the total purchase price of the TI part(s) at issue in this document sold by TI to Customer on an annual basis.

IMPORTANT NOTICE

Texas Instruments Incorporated and its subsidiaries (TI) reserve the right to make corrections, modifications, enhancements, improvements, and other changes to its products and services at any time and to discontinue any product or service without notice. Customers should obtain the latest relevant information before placing orders and should verify that such information is current and complete. All products are sold subject to TI's terms and conditions of sale supplied at the time of order acknowledgment.

TI warrants performance of its hardware products to the specifications applicable at the time of sale in accordance with TI's standard warranty. Testing and other quality control techniques are used to the extent TI deems necessary to support this warranty. Except where mandated by government requirements, testing of all parameters of each product is not necessarily performed.

TI assumes no liability for applications assistance or customer product design. Customers are responsible for their products and applications using TI components. To minimize the risks associated with customer products and applications, customers should provide adequate design and operating safeguards.

TI does not warrant or represent that any license, either express or implied, is granted under any TI patent right, copyright, mask work right, or other TI intellectual property right relating to any combination, machine, or process in which TI products or services are used. Information published by TI regarding third-party products or services does not constitute a license from TI to use such products or services or a warranty or endorsement thereof. Use of such information may require a license from a third party under the patents or other intellectual property of the third party, or a license from TI under the patents or other intellectual property of TI.

Reproduction of information in TI data books or data sheets is permissible only if reproduction is without alteration and is accompanied by all associated warranties, conditions, limitations, and notices. Reproduction of this information with alteration is an unfair and deceptive business practice. TI is not responsible or liable for such altered documentation.

Resale of TI products or services with statements different from or beyond the parameters stated by TI for that product or service voids all express and any implied warranties for the associated TI product or service and is an unfair and deceptive business practice. TI is not responsible or liable for any such statements.

Following are URLs where you can obtain information on other Texas Instruments products and application solutions:

| Products | | Applications | |
|------------------|--|---------------------|--|
| Amplifiers | amplifier.ti.com | Audio | www.ti.com/audio |
| Data Converters | dataconverter.ti.com | Automotive | www.ti.com/automotive |
| DSP | dsp.ti.com | Broadband | www.ti.com/broadband |
| Interface | interface.ti.com | Digital Control | www.ti.com/digitalcontrol |
| Logic | logic.ti.com | Military | www.ti.com/military |
| Power Mgmt | power.ti.com | Optical Networking | www.ti.com/opticalnetwork |
| Microcontrollers | microcontroller.ti.com | Security | www.ti.com/security |
| | | Telephony | www.ti.com/telephony |
| | | Video & Imaging | www.ti.com/video |
| | | Wireless | www.ti.com/wireless |

Mailing Address: Texas Instruments
Post Office Box 655303 Dallas, Texas 75265