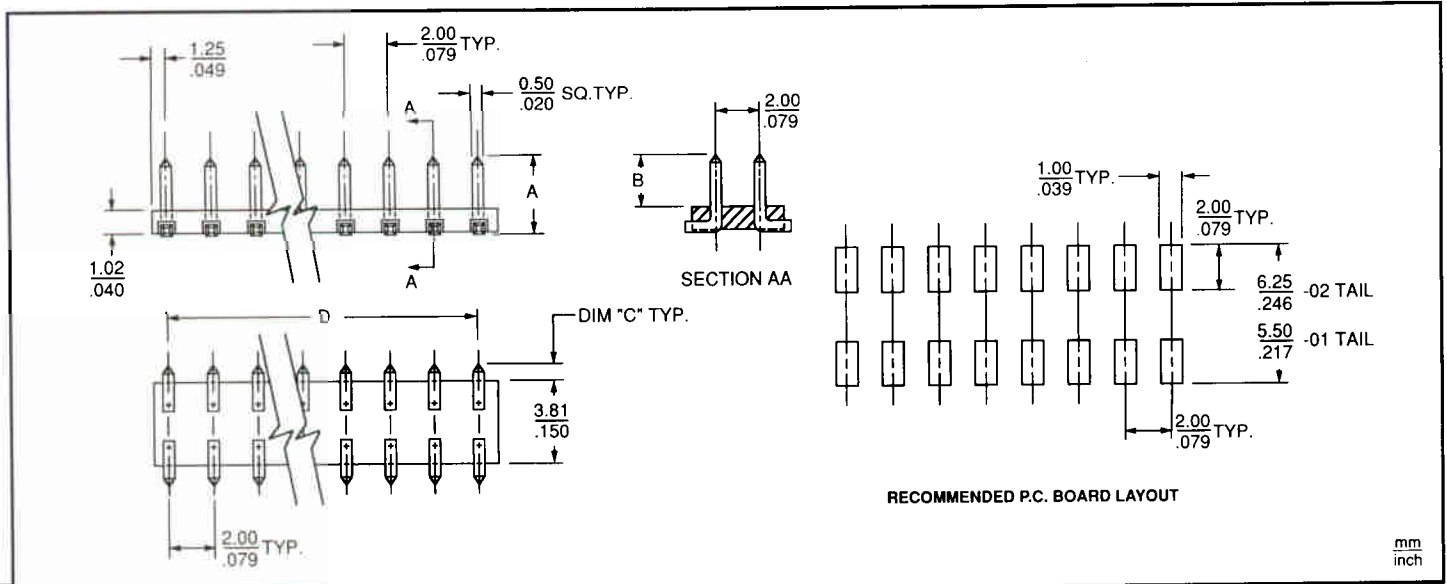


2 mm Pin Header, Unshrouded, Ultra Low Profile, SMT

0.5 mm (.020") Square, Dual Row
2 mm (.079") centers

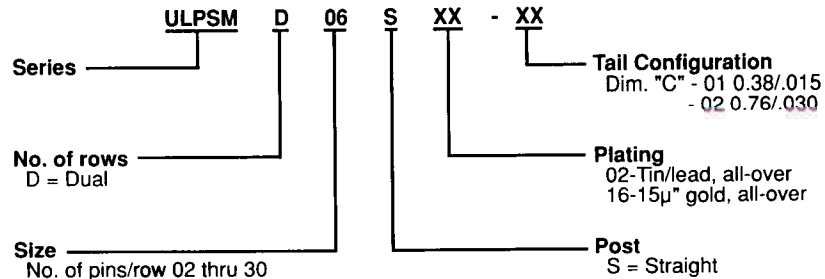


3

ULPSM SERIES

Part Number	O/A Height A	Post/Interface B
ULPSMDXXS33-M02	.152/3.91	.108/2.74
ULPSMDXXS33-M03	.189/4.80	.144/3.66
ULPSMDXXS33-M04	.180/4.57	.135/3.43

Part Number Description



EXAMPLE: ULPSMD06S02-01

DESCRIPTION: A ULPSM series dual row pin header with 6 pins in each row, 01 tail, tin plated all over.

SPECIFICATIONS:

- Housing Material: High temperature thermoplastic, UL flammability rating 94 V-O. Color, natural.
- Pin Material: Phosphor bronze.

NOTES:

- D=(No. of Spaces) X .079
- For product specifications see specification page at the end of this section.
- Cut parts sold in 32 pins maximum.

Consult factory for other plating, material options and pin lengths.