

800 MHz INPUT DIVIDE BY 2, 4 PRESCALER IC FOR PORTABLE SYSTEMS

The μ PB1511TB is a silicon monolithic integrated circuit designed as a divide by 2, 4 prescaler IC for portable radio systems. This IC is manufactured using NEC's 30 GHz f_{max} UHS0 (Ultra High Speed Process) silicon bipolar process.

Consequently, this IC is lower circuit current and smaller package than conventional μ PB1509GV.

FEATURES

- Operating frequency : $f_{in} = 50$ to 700 MHz @ $\div 2$,
50 to 800 MHz @ $\div 4$
- Low current consumption : 3.5 mA @ $V_{CC} = 3.0$ V
- High-density surface mounting : 6-pin super minimold
- Supply voltage : $V_{CC} = 2.4$ to 3.3 V
- Selectable division : $\div 2, \div 4$

APPLICATIONS

- Portable radio systems
- Cellular/cordless telephone 2nd local prescaler

ORDERING INFORMATION

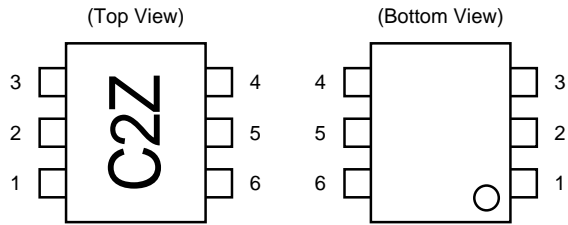
Part Number	Package	Marking	Supplying Form
μ PB1511TB-E3	6-pin super minimold	C2Z	Embossed tape 8 mm wide. Pin 1, 2, 3 face the tape perforation side. Qty 3 kpcs/reel.

Remark To order evaluation samples, please contact your local NEC sales office. (Part number for sample order: μ PB1511TB)

Caution Electro-static sensitive devices

The information in this document is subject to change without notice. Before using this document, please confirm that this is the latest version.
Not all devices/types available in every country. Please check with local NEC representative for availability and additional information.

PIN CONNECTIONS



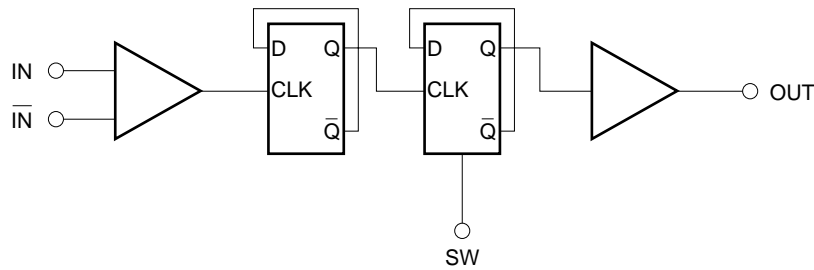
Pin No.	Pin Name
1	OUT
2	GND
3	SW
4	IN
5	$\overline{\text{IN}}$
6	V _{CC}

PRODUCT LINE-UP

Part Number	I _{CC} (mA)	V _{CC} (V)	$\div 2$ f _{in} (MHz)	$\div 4$ f _{in} (MHz)	$\div 8$ f _{in} (MHz)	Package
μ PB1509 GV	5.0	2.2 to 5.5	50 to 700	50 to 800	50 to 1 000	8-pin SSOP
μ PB1511TB	3.5	2.4 to 3.3	50 to 700	50 to 800	–	6-pin super minimold

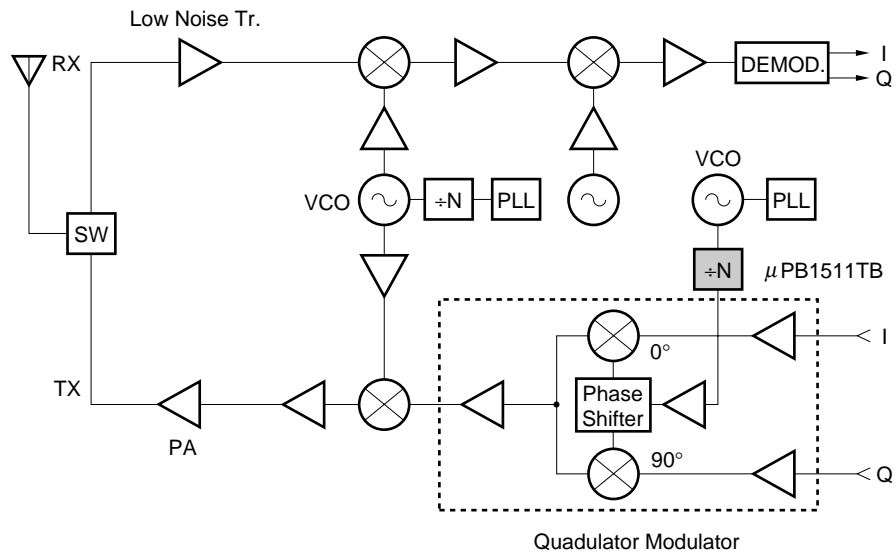
Remark This table shows the TYP. values of main parameters. Please refer to ELECTRICAL CHARACTERISTICS.

INTERNAL BLOCK DIAGRAM



SYSTEM APPLICATION EXAMPLE

One of the example for usage



This block diagram schematically shows the μ PB1511TB's location in one of the example application system. The other applications are also acceptable for divider use.

PIN EXPLANATIONS

Pin No.	Symbol	Applied Voltage (V)	Functions and Explanation									
1	OUT	—	<p>Divided frequency output pin. This pin is designed as emitter follower output. This pin can output 0.2 V_{P-P} MIN. with 200 Ω load.</p> <p>This pin should be coupled to load device with capacitor (example: 1 000 pF) for DC cut.</p>									
2	GND	0	<p>Ground pin. Ground pattern on the board should be formed as widely as possible to minimize ground impedance.</p>									
3	SW	H/L	<p>Divide ratio control pin. Divide ratio can be determined by following applied level to these pins.</p> <table border="1" style="margin-left: auto; margin-right: auto;"> <thead> <tr> <th></th> <th colspan="2">SW</th> </tr> <tr> <th></th> <th>H</th> <th>L</th> </tr> </thead> <tbody> <tr> <th>Divide ratio</th> <td>1/2</td> <td>1/4</td> </tr> </tbody> </table> <p>These pins must be each equipped with bypass capacitor to minimize their impedance.</p>		SW			H	L	Divide ratio	1/2	1/4
	SW											
	H	L										
Divide ratio	1/2	1/4										
4	IN	—	<p>Signal input pin. This pin should be coupled to signal source with capacitor (example: 1 000 pF) for DC cut.</p>									
5	$\overline{\text{IN}}$	—	<p>Signal input bypass pin. This pin must be equipped with bypass capacitor (example: 1 000 pF) to minimize ground impedance.</p>									
6	V _{CC}	2.4 to 3.3	<p>Power supply pin. This pin must be equipped with bypass capacitor (example: 1 000 pF) to minimize ground impedance.</p>									

ABSOLUTE MAXIMUM RATINGS

Parameter	Symbol	Conditions	Ratings	Unit
Supply Voltage	V _{CC}	T _A = +25°C	3.6	V
Input Voltage	V _{in}	T _A = +25°C, SW pin	3.6	V
Total Power Dissipation	P _D	Mounted on double sided copper clad 50 × 50 × 1.6 mm epoxy glass PWB (T _A = +85°C)	200	mW
Operating Ambient Temperature	T _A		-40 to +85	°C
Storage Temperature	T _{stg}		-55 to +150	°C

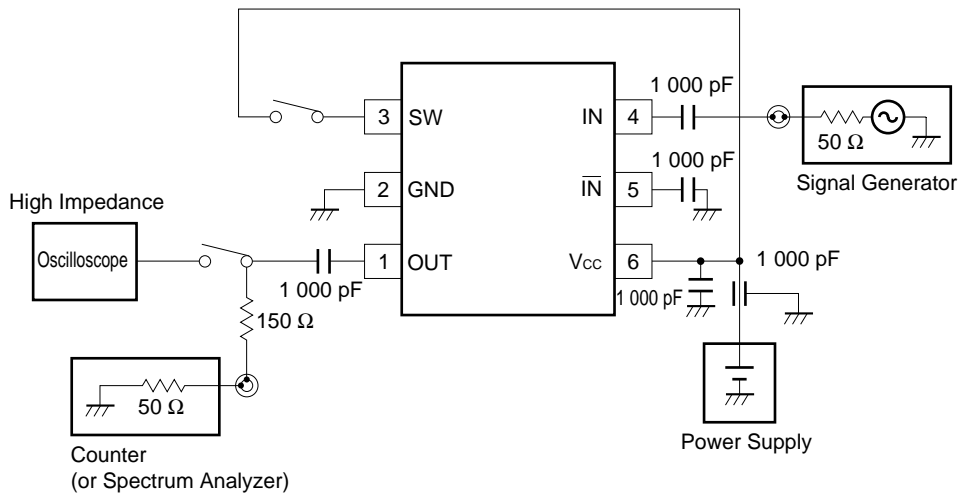
RECOMMENDED OPERATING CONDITIONS

Parameter	Symbol	MIN.	TYP.	MAX.	Unit
Supply Voltage	V _{CC}	2.4	3.0	3.3	V
Operating Ambient Temperature	T _A	-40	+25	+85	°C

ELECTRICAL CHARACTERISTICS (T_A = +25°C, V_{CC} = 3.0 V)

Parameter	Symbol	Test Conditions	MIN.	TYP.	MAX.	Unit
Circuit Current	I _{CC}	No signals	3.1	3.5	4.1	mA
Upper Limit Operating Frequency 1	f _{in(U)1}	P _{in} = -20 to 0 dBm	500	—	—	MHz
Upper Limit Operating Frequency 2	f _{in(U)2}	P _{in} = -20 to -5 dBm @ ÷ 2 @ ÷ 4	700 800	—	—	MHz
Lower Limit Operating Frequency 1	f _{in(L)1}	P _{in} = -20 to 0 dBm	—	—	50	MHz
Lower Limit Operating Frequency 2	f _{in(L)2}	P _{in} = -20 to -5 dBm	—	—	500	MHz
Input Power 1	P _{in1}	f _{in} = 50 to 800 MHz	-20	—	-5	dBm
Input Power 2	P _{in2}	f _{in} = 50 to 500 MHz	-20	—	0	dBm
Output Voltage	V _{out}	R _L = 200 Ω	0.2	0.3	—	V _{P-P}
Divide Ratio Control Input High	V _{IH}		0.7 × V _{CC}	—	V _{CC} + 0.5	V
Divide Ratio Control Input Low	V _{IL}		-0.5	—	V _{CC} × 0.3	V

TEST CIRCUIT

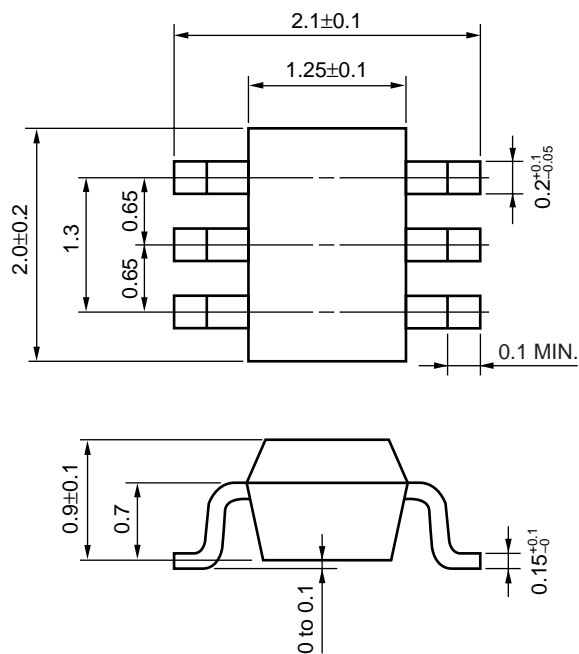


Divide Ratio Setting

SW	H	1/2
	L	1/4

PACKAGE DIMENSIONS

6-pin super minimold (Unit: mm)



NOTE ON CORRECT USE

- (1) Observe precautions for handling because of electrostatic sensitive devices.
- (2) Form a ground pattern as widely as possible to minimize ground impedance (to prevent undesired oscillation).
Keep the track length of the ground pins as short as possible.
- (3) Connect a bypass capacitor (example: 1 000 pF) to the Vcc pin.

RECOMMENDED SOLDERING CONDITIONS

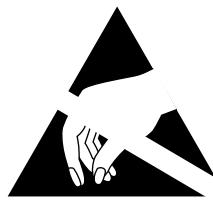
This product should be soldered under the following recommended conditions. For soldering methods and conditions other than those recommended below, contact your NEC sales representative.

Soldering Method	Soldering Conditions	Recommended Condition Symbol
Infrared Reflow	Package peak temperature: 235°C or below Time: 30 seconds or less (at 210°C) Count: 3, Exposure limit: None ^{Note}	IR35-00-3
VPS	Package peak temperature: 215°C or below Time: 40 seconds or less (at 200°C) Count: 3, Exposure limit: None ^{Note}	VP15-00-3
Wave Soldering	Soldering bath temperature: 260°C or below Time: 10 seconds or less Count: 1, Exposure limit: None ^{Note}	WS60-00-1
Partial Heating	Pin temperature: 300°C Time: 3 seconds or less (per side of device) Exposure limit: None ^{Note}	—

Note After opening the dry pack, keep it in a place below 25°C and 65% RH for the allowable storage period.

Caution Do not use different soldering methods together (except for partial heating).

For details of recommended soldering conditions for surface mounting, refer to information document SEMICONDUCTOR DEVICE MOUNTING TECHNOLOGY MANUAL (C10535E).



ATTENTION

OBSERVE PRECAUTIONS
FOR HANDLING
ELECTROSTATIC
SENSITIVE
DEVICES

NESAT (NEC Silicon Advanced Technology) is a trademark of NEC Corporation.

- **The information in this document is current as of June, 2000. The information is subject to change without notice. For actual design-in, refer to the latest publications of NEC's data sheets or data books, etc., for the most up-to-date specifications of NEC semiconductor products. Not all products and/or types are available in every country. Please check with an NEC sales representative for availability and additional information.**
- No part of this document may be copied or reproduced in any form or by any means without prior written consent of NEC. NEC assumes no responsibility for any errors that may appear in this document.
- NEC does not assume any liability for infringement of patents, copyrights or other intellectual property rights of third parties by or arising from the use of NEC semiconductor products listed in this document or any other liability arising from the use of such products. No license, express, implied or otherwise, is granted under any patents, copyrights or other intellectual property rights of NEC or others.
- Descriptions of circuits, software and other related information in this document are provided for illustrative purposes in semiconductor product operation and application examples. The incorporation of these circuits, software and information in the design of customer's equipment shall be done under the full responsibility of customer. NEC assumes no responsibility for any losses incurred by customers or third parties arising from the use of these circuits, software and information.
- While NEC endeavours to enhance the quality, reliability and safety of NEC semiconductor products, customers agree and acknowledge that the possibility of defects thereof cannot be eliminated entirely. To minimize risks of damage to property or injury (including death) to persons arising from defects in NEC semiconductor products, customers must incorporate sufficient safety measures in their design, such as redundancy, fire-containment, and anti-failure features.
- NEC semiconductor products are classified into the following three quality grades:
 "Standard", "Special" and "Specific". The "Specific" quality grade applies only to semiconductor products developed based on a customer-designated "quality assurance program" for a specific application. The recommended applications of a semiconductor product depend on its quality grade, as indicated below. Customers must check the quality grade of each semiconductor product before using it in a particular application.
 - "Standard": Computers, office equipment, communications equipment, test and measurement equipment, audio and visual equipment, home electronic appliances, machine tools, personal electronic equipment and industrial robots
 - "Special": Transportation equipment (automobiles, trains, ships, etc.), traffic control systems, anti-disaster systems, anti-crime systems, safety equipment and medical equipment (not specifically designed for life support)
 - "Specific": Aircraft, aerospace equipment, submersible repeaters, nuclear reactor control systems, life support systems and medical equipment for life support, etc.

The quality grade of NEC semiconductor products is "Standard" unless otherwise expressly specified in NEC's data sheets or data books, etc. If customers wish to use NEC semiconductor products in applications not intended by NEC, they must contact an NEC sales representative in advance to determine NEC's willingness to support a given application.

(Note)

- (1) "NEC" as used in this statement means NEC Corporation and also includes its majority-owned subsidiaries.
- (2) "NEC semiconductor products" means any semiconductor product developed or manufactured by or for NEC (as defined above).