

1 V, 1.3 mA, 94MHz PLL SYNTHESIZER LSI FOR PAGER SYSTEM

DESCRIPTION

μPD2845GR is a PLL synthesizer LSI for pager system. This LSI is manufactured using low voltage CMOS process and therefore realized the low power consumption PLL operated on 1 V, 1.3 mA. This LSI is packaged in 16 pin plastic SSOP suitable for high-density surface mounting. So, this product contributes to produce a long-life-battery and physically-small pager system.

FEATURES

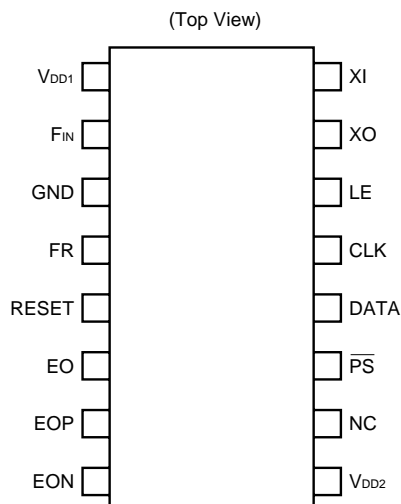
- Operating frequency :
 - Input frequency : $f_{in} = 10 \text{ MHz to } 94 \text{ MHz}$
 - Reference oscillating frequency : $f_{x'tal} = 12.8 \text{ MHz}$
- Low Supply voltage :
 - PLL block : $V_{DD1} = 1.00 \text{ V to } 1.15 \text{ V @ } f_{in} = 10 \text{ MHz to } 70 \text{ MHz}$
 $V_{DD1} = 1.05 \text{ V to } 1.15 \text{ V @ } f_{in} = 10 \text{ MHz to } 94 \text{ MHz}$
 - Charge pump block: $V_{DD2} = 3.0 \text{ V } \pm 300 \text{ mV}$
- Low power consumption — $I_{DD} = 1.3 \text{ mA TYP. @ } f_{in} = 70 \text{ MHz, } f_{x'tal} = 12.8 \text{ MHz}$
- Equipped with power-save function — Serial data can be received in power-save mode.
- Packaged in 16 pin plastic SSOP suitable for high-density surface mounting.

ORDERING INFORMATION

PART NUMBER	PACKAGE	SUPPLYING FORM
μPD2845GR-E1	16 pin plastic SSOP (225 mil)	Embossed tape 12 mm wide. QTY 2.5 k/reel Pin 1 is in tape pull-out direction.
μPD2845GR-E2	16 pin plastic SSOP (225 mil)	Embossed tape 12 mm wide. QTY 2.5 k/reel Pin 1 is in tape roll-in direction.

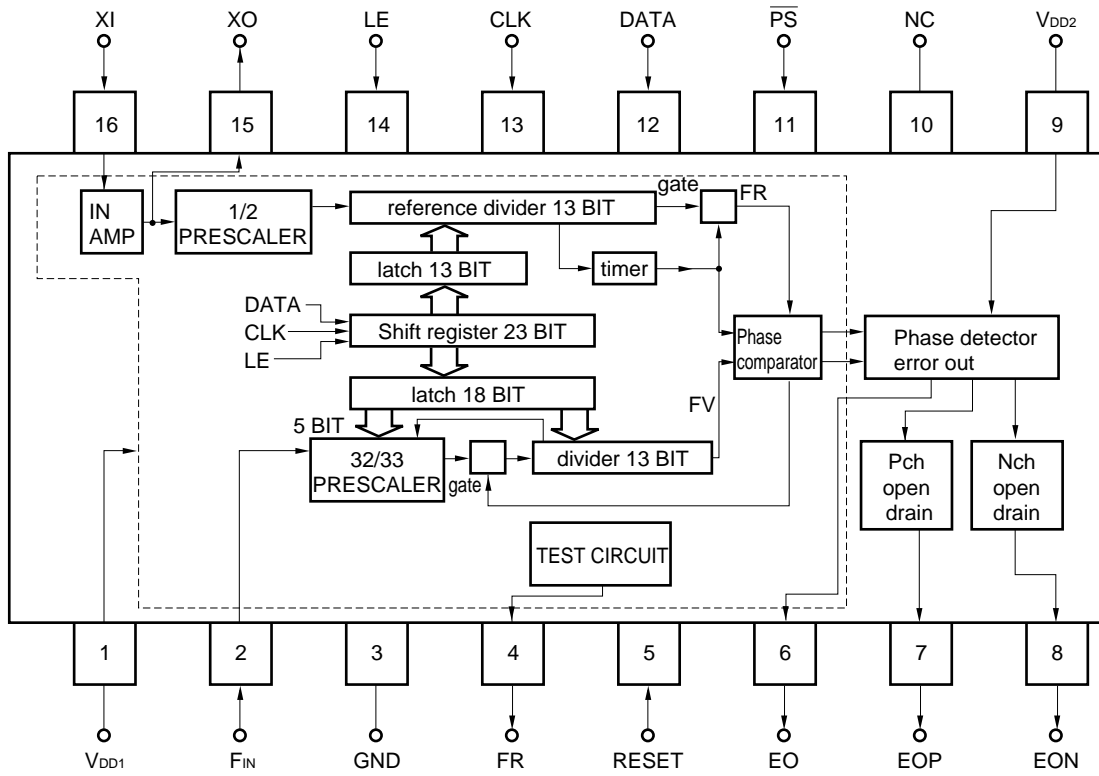
* To order evaluation samples, please contact your local NEC sales office (Order number : μPD2845GR).

PIN ASSIGNMENT

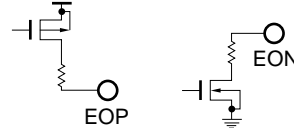


Caution Electro-static sensitive devices

INTERNAL BLOCK DIAGRAM



PIN EXPLANATION

PIN No.	PIN NAME	I/O	EXPLANATION FOR FUNCTION
1	V _{DD1}	—	Supply voltage to PLL block
2	F _{IN}	I	Frequency Input
3	GND	—	Ground
4	FR	O	Test pin for monitor. Normally used as PLL, output L should be selected by test bit and this pin should be opened. (Refer to setting for reference counter on 11 page)
5	RESET	I	Test pin for monitor reset. (Refer to RESET on 12 page) Normally used as PLL, this pin should be grounded.
6	EO	O	Internal charge pump output. In the case of passive filter, this output should be used. Input signal phase f_p vs. reference signal f_r $f_p > f_r$: Low output $f_p < f_r$: High output $f_p = f_r$: High-impedance
7 8	EOP EON	O O	Outputs for external charge pump. In the case of active filter, this outputs should be used. EOP : PCH open drain EON : NCH open drain 
9	V _{DD2}	—	Supply voltage to charge pump.
10	NC	—	Non Connection.
11	\overline{PS}	I	Control bias input for power-save (Refer to Power-save on 12 page).
12	DATA	I	Data input for divided ratio.
13	CLK	I	Clock input for shift register.
14	LE	I	Latch enable input.
15	XO	O	X'tal oscillator connection pin.
16	XI	I	

ABSOLUTE MAXIMUM RATINGS (UNLESS OTHERWISE SPECIFIED, T_A = +25 °C)

Supply Voltage	V _{DD1}	-0.3 to 2.0	V
	V _{DD2}	-0.3 to 6.0	V
Input Voltage	V _{I1}	-0.3 to V _{DD1} +0.3 (Except for DATA, CLK, LE, \overline{PS} pin)	V
	V _{I2}	-0.3 to 6.0 (DATA, CLK, LE, \overline{PS})	V
Output Voltage	V _{O1}	-0.3 to V _{DD1} +0.3 (XO, FR)	V
	V _{O2}	-0.3 to V _{DD2} +0.3 (EO, EOP, EON)	V
Output Current	I _o	10	mA
Operating Ambient Temperature	T _A	-10 to +50	°C
Storage Temperature	T _{stg}	-55 to +125	°C

RECOMMENDED OPERATING RANGE

PARAMETER	SYMBOL	MIN.	TYP.	MAX.	UNIT
Supply Voltage	V _{DD1}	1.0	1.05	1.1	V
	V _{DD2}	2.85	3.0	3.15	V
Operating Ambient Temperature	T _A	-10	+25	+50	°C

ELECTRICAL CHARACTERISTICS

DC PERFORMANCE (Unless otherwise specified, V_{DD1} = 1.00 V to 1.15 V, V_{DD2} = 2.70 to 3.30 V, T_A = -10 to +50 °C)

PARAMETER	SYMBOL	MIN.	TYP.	MAX.	UNIT	CONDITIONS
Supply Voltage	V _{DD1}	1.00	1.05	1.15	V	PLL Operation
	V _{DD2}	2.70	3.0	3.30	V	P/D Charge pump block
Circuit Current	I _{DD1}		1.3	2.2	mA	f _{in} = 70 MHz, 0.2 V _{P-P} . f _{x'tal} = 12.8 MHz X'tal OSC IN. V _{DD1} = 1.0 V to 1.1 V V _{DD2} = 2.85 V to 3.15 V
Data Retain Current	I _{DR}		1.0	10	μA	No Input Signal, V _{DD1} = 1.1 V
High Level Output Current ^{*1}	I _{OH1}	-1.0			mA	EO, EOP pin. V _{DD2} = 2.85 V V _{OH} = V _{DD2} - 0.5 V
High Level Output Current ^{*1}	I _{OH2}	-0.5			mA	XO pin. V _{OH} = V _{DD1} - 0.5 V
High Level Output Current ^{*1}	I _{OH3}	-0.1			mA	FR pin. V _{OH} = V _{DD1} - 0.5 V
Low Level Output Current ^{*2}	I _{OL1}	1.0			mA	EO, EON pin. V _{DD2} = 2.85 V V _{OL} = 0.5 V
Low Level Output Current ^{*2}	I _{OL2}	0.4			mA	XO pin. V _{OL} = 0.5 V
Low Level Output Current ^{*2}	I _{OL3}	0.4			mA	FR pin. V _{OL} = 0.5 V
High Level Input Current ^{*2}	I _{IH1}	0.4			μA	F _{IN} , X _I pin. V _{IH} = V _{DD1} 1.0 V
Low Level Input Current ^{*1}	I _{IL1}	-0.4			μA	F _{IN} , X _I pin. V _{IL} = 0 V, V _{DD1} 1.0 V
High Level Input Current ^{*2}	I _{IH2}			1.0	μA	DATA, CLK, LE, $\overline{\text{PS}}$ pin. V _{IH1} = 3.85 V
High Level Input Voltage1	V _{IH1}	0.8 × V _{DD1}		4.0	V	DATA, CLK, LE, PS pin.
Low Level Input Voltage1	V _{IL1}	0		0.2 × V _{DD1}	V	DATA, CLK, LE, PS pin.
High Level Input Voltage2	V _{IH2}	0.8 × V _{DD1}		V _{DD1}	V	RESET pin.
Low Level Input Voltage2	V _{IL2}	0		0.2 × V _{DD1}	V	RESET pin.
Output Leak Current	I _L		10 ⁻⁴	±1.0	μA	EO, EOP, EON pin. V _{DD1} = 1.0 V to 1.1 V V _{DD2} = 2.85 V to 3.15 V

*1 Current from IC

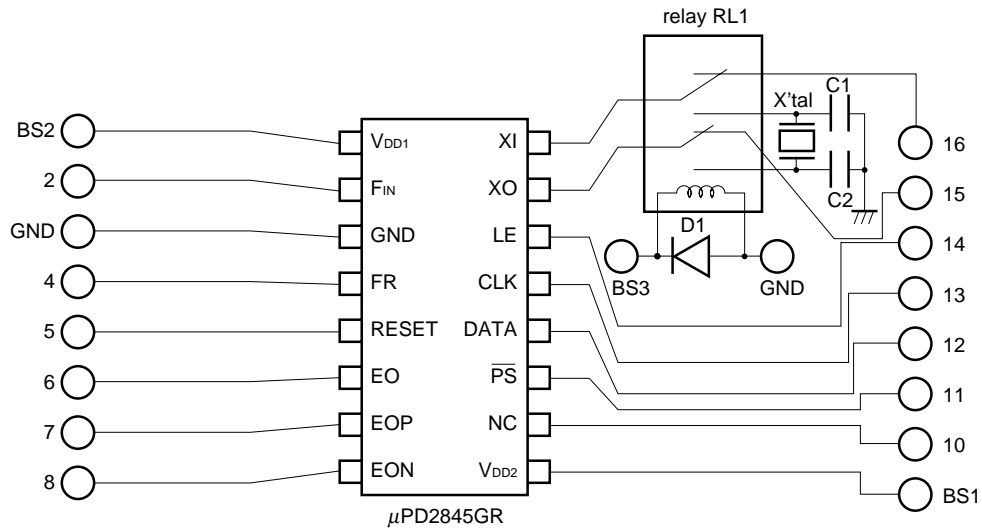
*2 Current into IC

AC PERFORMANCE (Unless otherwise specified, V_{DD1} = 1.00 V to 1.15 V, V_{DD2} = 2.70 to 3.30 V, T_A = -10 to +50 °C)

PARAMETER	SYMBOL	MIN.	TYP.	MAX.	UNIT	CONDITIONS
Input frequency 1	f _{in1}	10		70	MHz	F _{IN} pin, V _{in} = 0.2 V _{P-P}
Input frequency 2	f _{in2}	10		94	MHz	F _{IN} pin, V _{in} = 0.2 V _{P-P} , V _{DD1} = 1.05 V to 1.15 V
Reference Oscillating Frequency	f _{x'tal}		12.8		MHz	X _I , X _O pin

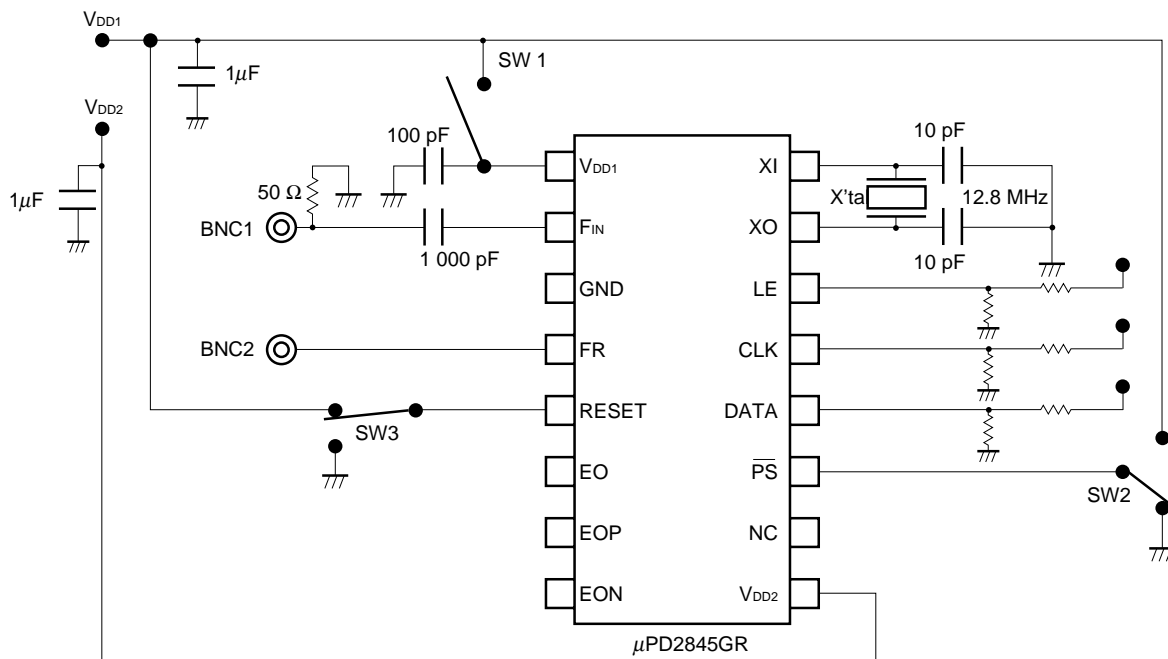
TEST CIRCUIT

DC measurement



- relay RL1 : SRR-204
- Diode D1 : 1S945
- Capacitor C1,C2 : 18 pF
- X'tal : 12.8 MHz

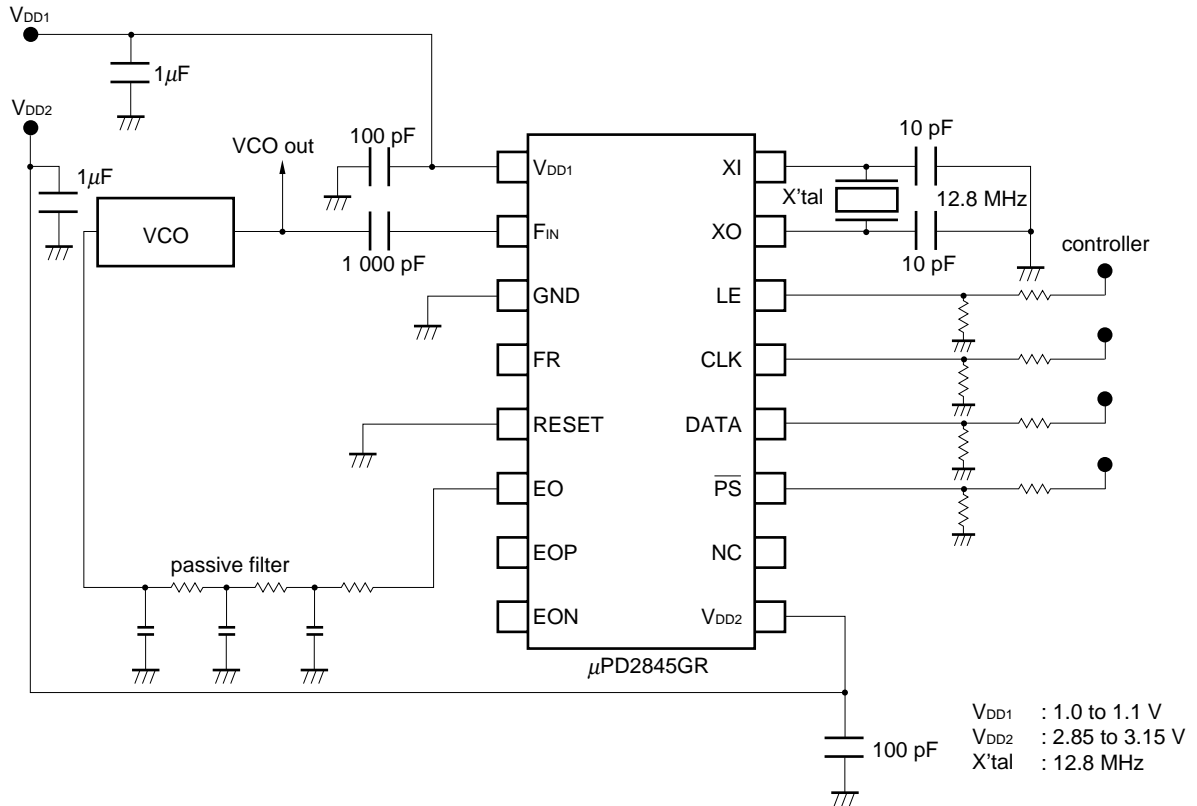
AC measurement



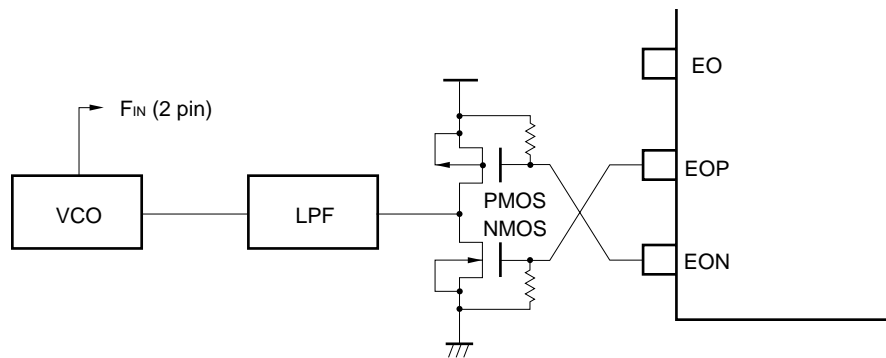
- BNC1 : Frequency input
- BNC2 : Frequency output
- SW1 : switch for voltage on/off
- SW2 : Desired for PS mode : Low
- SW3 : Desired for reset mode : High

APPLICATION CIRCUIT EXAMPLES

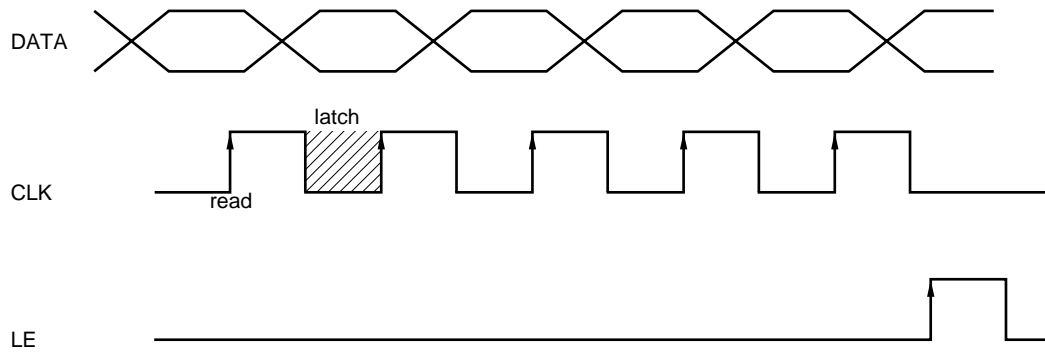
Passive filter application example (using internal charge pump)



Active filter application example (using external charge pump)



INPUT TIMING OF SERIAL DATA



This logic circuit is controlled by a 3-wire serial bus interface with DATA (12 pin), CLK (13 pin) and LE (14 pin).

On the control setting, Binary-coded serial data is input to DATA pin. This data is read into the shift register at the rising edge of the CLK signal input to the CLK pin. When the LE signal is at the low level, DATA CLK are received into the LSI to be latched at the rising edge of the LE signal.

While the LE signal is at the high level, neither DATA nor CLK signals can be received.

CAUTION At the initial V_{cc} supplied time, serial data must be input, because the IC output is unstable on the non-data input stage. [Refer to 'Power-save (pin 11)' on 12 page]

INPUT SIGNAL DIVIDER

INPUT SIGNAL DIVIDER obtain the frequency: f_p input to phase comparator. This circuit divides input frequency: f_{in} to obtain f_p . This block consists of prescaler, 5 bit swallow counter, 13 bit main counter and divide-ratio control circuit.

Setting numbers

- Main counter $M = 32$ to $8\ 191$
- Swallow counter $S = 0$ to 31
- Prescaler $P = 32, P+1 = 33$

Total divide ratio

$$NT = S(P+1) + P(M-S) = PM+S = 32 M+S (M \geq S)$$

$$\therefore NT = 1\ 024$$
 to $262\ 143$

Relation between f_p and f_{in}

$$f_p = f_{in}/(32 M+S)$$

(ex)

$$\text{At } f_p = 5\ \text{kHz} \qquad f_{in} = 70\ \text{MHz}$$

$$NT = 70\ \text{M}/5\ \text{k} = 14\ 000$$

$$\text{Therefore } 14\ 000 \div 32 = 437 \dots 16$$



Reference Counter

Reference Counter obtain the frequency: f_r input to phase comparator. This circuit divides the reference oscillating frequency: $f_{X'tal}$ of X'tal or TCXO to obtain f_r . This block consists of 13 bit programmable reference counter and prescaler of divide-by-2.

Setting number

- 13 bit programmable reference counter $R = 2$ to $8\ 191$

Total reference counter block divide ratio

$$RT = 2 \times R$$

$$\therefore RT = 4$$
 to $16\ 382$

Relation between f_r and $f_{X'tal}$

$$f_r = (f_{X'tal}/2)/R$$

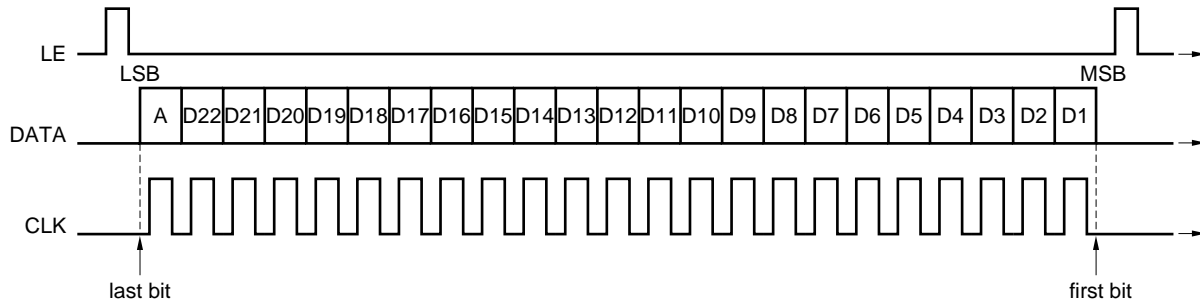
(ex)

$$f_r = 5\ \text{kHz} \qquad f_{X'tal} = 12.8\ \text{MHz}$$

$$R = (12.8\ \text{MHz}/2)/5\ \text{kHz} = 1\ 280$$

Data format of shift register

Foundaly construction of shift register



(1) Setting for data selection bit

Data selection bit: last A bit can govern the latch selection.

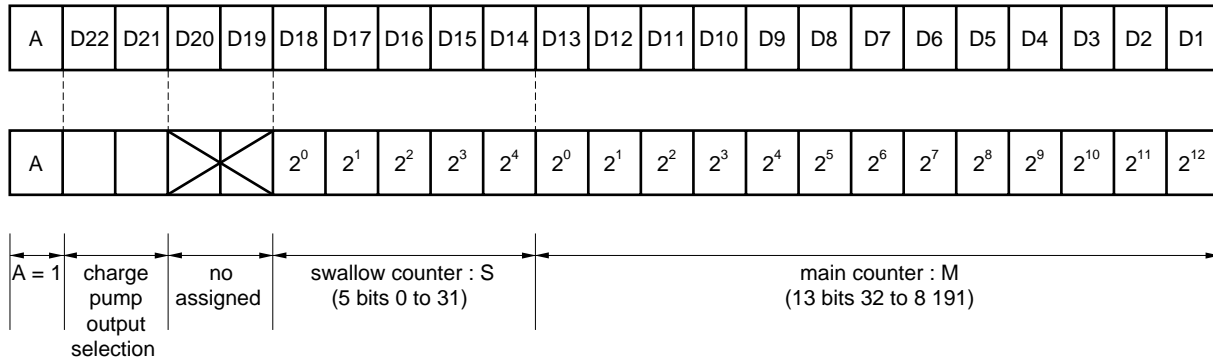
Data selection bit's construction and function

A	Function
1	Setting for swallow and main counter's divide ratio. Setting for charge pump output selection.
0	Setting for reference counter's divide ratio.

"0" = Low, "1" = High

(2) Setting for swallow/main counter's data and charge pump output selection

Bit construction of setting for swallow/main counter and charge pump output selection



CAUTION D19, D20 are not assigned for setting but CLK signals must be input because of the bit construction.

• SWALLOW COUNTER DATA

$$S = (D14 \times 2^4) + (D15 \times 2^3) + (D16 \times 2^2) + (D17 \times 2^1) + (D18 \times 2^0)$$

• MAIN COUNTER DATA

$$M = (D1 \times 2^{12}) + (D2 \times 2^{11}) + (D3 \times 2^{10}) + (D4 \times 2^9) + (D5 \times 2^8) + (D6 \times 2^7) + (D7 \times 2^6) + (D8 \times 2^5) + (D9 \times 2^4) + (D10 \times 2^3) + (D11 \times 2^2) + (D12 \times 2^1) + (D13 \times 2^0)$$

$$NT = 32M + S$$

$$= 32 \times \{(D1 \times 2^{12}) + (D2 \times 2^{11}) + (D3 \times 2^{10}) + (D4 \times 2^9) + (D5 \times 2^8) + (D6 \times 2^7) + (D7 \times 2^6) + (D8 \times 2^5) + (D9 \times 2^4) + (D10 \times 2^3) + (D11 \times 2^2) + (D12 \times 2^1) + (D13 \times 2^0)\} + \{(D14 \times 2^4) + (D15 \times 2^3) + (D16 \times 2^2) + (D17 \times 2^1) + (D18 \times 2^0)\}$$

$$\therefore NT = (D1 \times 2^{17}) + (D2 \times 2^{16}) + (D3 \times 2^{15}) + (D4 \times 2^{14}) + (D5 \times 2^{13}) + (D6 \times 2^{12}) + (D7 \times 2^{11}) + (D8 \times 2^{10}) + (D9 \times 2^9) + (D10 \times 2^8) + (D11 \times 2^7) + (D12 \times 2^6) + (D13 \times 2^5) + (D14 \times 2^4) + (D15 \times 2^3) + (D16 \times 2^2) + (D17 \times 2^1) + (D18 \times 2^0)$$

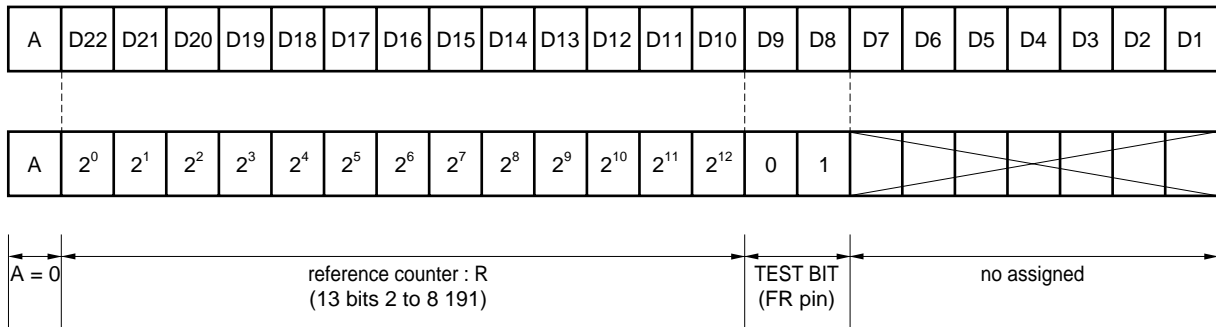
Thus, total divide ratio of input signal divider 'NT' can be transferred to binary-code in order to setting data 'D1 to D18' input. (D1 should be top digit and D18 should be bottom digit.)

- Charge pump output selection data

D22	D21	EO Pin (To use internal charge pump)	EOP, EO Pin (To use external charge pump)
0	0	Hi-Impedance	OFF
0	1	Hi-Impedance	OUTPUT
1	0	OUTPUT	OFF
1	1	OUTPUT	OUTPUT

"0" = Low, "1" = High

(3) Setting for reference counter



CAUTION D1 to D7 are not assigned for setting but CLK signals must be input because of the bit construction.

$$RT = 2 \times R$$

$$\therefore RT = 2 \times \{(D10 \times 2^{12}) + (D11 \times 2^{11}) + (D12 \times 2^{10}) + (D13 \times 2^9) + (D14 \times 2^8) + (D15 \times 2^7) + (D16 \times 2^6) + (D17 \times 2^5) + (D18 \times 2^4) + (D19 \times 2^3) + (D20 \times 2^2) + (D21 \times 2^1) + (D22 \times 2^0)\}$$

*TEST BIT: for IC tester (FR pin) use or not use (PLL operation).
for normally PLL operation, input D9 = 0, D8 = 1 (FR pin = output L).

Power-save and RESET

Power-save (PIN 11)

Power-save-mode can be selected by input data to \overline{PS} pin.

H; operation mode

L; power-save-mode

On the power-save-mode, reference oscillator and prescaler turn off and error-outs (EO, EOP, EON) output Hi-impedance but shift register data is remained. Serial data can be received in power-save-mode.

Note: Power-save usage for initial V_{cc} supplying

To prevent unstable mode at initial V_{cc} supplying, Power-save-mode must be selected. After counter data setting, normal operation mode can be selected.

RESET (PIN 5)

Reset-mode can be selected by input data to RESET pin.

H; reset-mode L(GND or Open); Normal operation.

On the reset-mode, reference oscillator/prescalers turn off and error-outs (EO, EOP, EON) output Hi-impedance.

Shift-register data is initialized.

This reset-mode should be used at LSI testing, normally use as PLL, RESET pin should be opened or grounded.

Supplementary explanation:

When RESET pin bias is switched from H to L, initial divide ratios can be set automatically as follows

- Input signal divider: $NT = 10372$
- 13 bit programmable reference counter: $R = 1280$ ($RT = 2560$)

These divide ratios make PLL loop without controller on condition as follows

$$f_{in} = 51.86 \text{ MHz}$$

$$f_{x'tal} = 12.8 \text{ MHz}$$

$$f_p = f_r = 5.0 \text{ kHz}$$

PHASE COMPARATOR

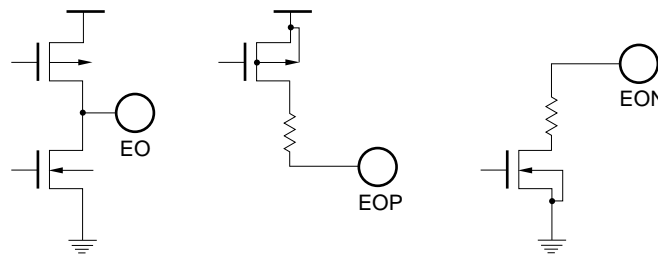
PHASE COMPARATOR compares the phase between divided input frequency (f_p) and reference frequency (f_r). This circuit make the charge pump output signals according to following detection.

detection	EO ^{*3}	EOP ^{*4}	EON ^{*4}
$f_r > f_p$	H	H	OFF
$f_r = f_p$	Hi-Impedance	OFF	OFF
$f_r < f_p$	L	OFF	L

*3 To use internal charge pump (passive filter type)

*4 To use external charge pump (active filter type)

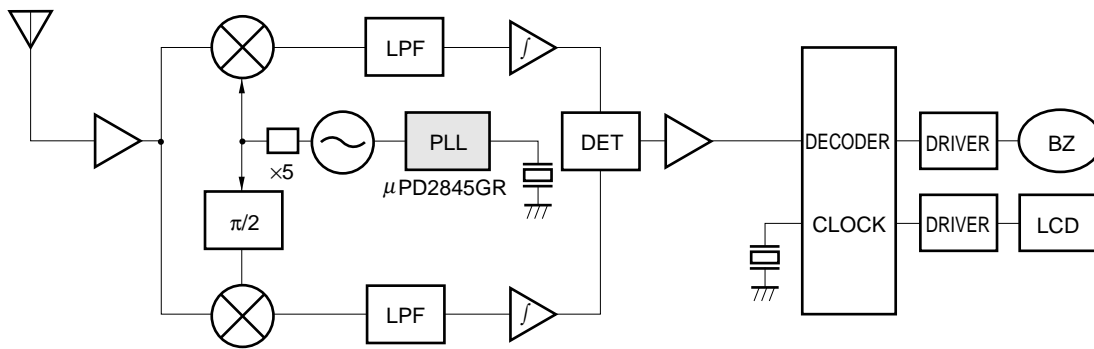
VCO should be used as type of 'higher voltage-higher frequency'.



EOP is Pch open drain, EON is Nch open drain. EO is output pin of internal charge pump.

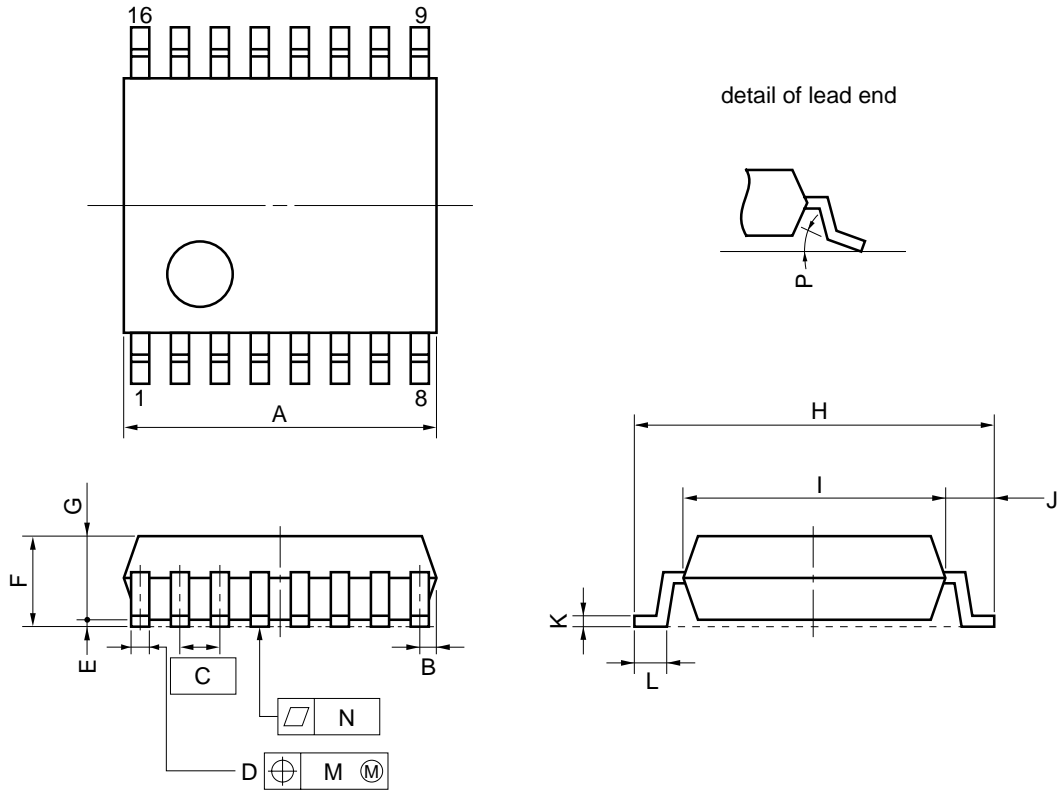
SYSTEM APPLICATION EXAMPLE

Pager block diagram of direct conversion type



PACKAGE DIMENSIONS

16 PIN PLASTIC SHRINK SOP (225 mil)



NOTE

Each lead centerline is located within 0.10 mm (0.004 inch) of its true position (T.P.) at maximum material condition.

ITEM	MILLIMETERS	INCHES
A	5.50 MAX.	0.217 MAX.
B	0.475 MAX.	0.019 MAX.
C	0.65 (T.P.)	0.026 (T.P.)
D	0.20±0.10	0.008±0.004
E	0.125±0.075	0.005±0.003
F	1.8 MAX.	0.071 MAX.
G	1.44	0.057
H	6.2±0.3	0.244±0.012
I	4.4±0.2	0.173 ^{+0.009} _{-0.008}
J	0.9±0.2	0.035 ^{+0.009} _{-0.008}
K	0.15 ^{+0.10} _{-0.05}	0.006 ^{+0.004} _{-0.002}
L	0.5±0.2	0.020 ^{+0.008} _{-0.009}
M	0.10	0.004
N	0.10	0.004
P	5°±5°	5°±5°

P16GM-65-225B-2

NOTE ON CORRECT USE

- (1) Observe precautions for handling because of electrostatic sensitive devices.
- (2) Form a ground pattern as wide as possible to minimize ground impedance.
- (3) Connect a bypass capacitor (e. g. 1 000 pF) to the V_{DD} pin.
- (4) The DC cut capacitor must be each attached to F_{IN}, X1 and XO pin.
- (5) External R, C values of loop filter should be determined according to the VCO specification.
- (6) While VCO signal is not input to F_{IN} pin, power-save-mode must be set.
- (7) After initially V_{CC}, V_{DD} are supplied, serial data should be input immediately. (Before serial data input, LSI operation is unstable or undesired.)

RECOMMENDED SOLDERING CONDITIONS

This product should be soldered in the following recommended conditions. Other soldering method and conditions than the recommended conditions are to be consulted with our sales representatives.

μPD2845GR

Soldering process	Soldering conditions	Symbol
Infrared ray reflow	Peak package's surface temperature: 235 °C or below, Reflow time: 30 seconds or below (210 °C or higher), Number of reflow process: 2, Exposure limit*: None	IR35-00-2
VPS	Peak package's surface temperature: 215 °C or below, Reflow time: 40 seconds or below (200 °C or higher), Number of reflow process: 2, Exposure limit*: None	VP15-00-2
Partial heating method	Terminal temperature: 300 °C or below, Flow time: 3 seconds or below, Exposure limit*: None	

*: Exposure limit before soldering after dry-package is opened.
Storage conditions: 25 °C and relative humidity at 65 % or less.

Note Apply only a single process at once, except for "Partial heating method".
For details of recommended soldering conditions for surface mounting, refer to information document SEMICONDUCTOR DEVICE MOUNTING TECHNOLOGY MANUAL (C10535E).

No part of this document may be copied or reproduced in any form or by any means without the prior written consent of NEC Corporation. NEC Corporation assumes no responsibility for any errors which may appear in this document.

NEC Corporation does not assume any liability for infringement of patents, copyrights or other intellectual property rights of third parties by or arising from use of a device described herein or any other liability arising from use of such device. No license, either express, implied or otherwise, is granted under any patents, copyrights or other intellectual property rights of NEC Corporation or others.

While NEC Corporation has been making continuous effort to enhance the reliability of its semiconductor devices, the possibility of defects cannot be eliminated entirely. To minimize risks of damage or injury to persons or property arising from a defect in an NEC semiconductor device, customers must incorporate sufficient safety measures in its design, such as redundancy, fire-containment, and anti-failure features.

NEC devices are classified into the following three quality grades:

"Standard", "Special", and "Specific". The Specific quality grade applies only to devices developed based on a customer designated "quality assurance program" for a specific application. The recommended applications of a device depend on its quality grade, as indicated below. Customers must check the quality grade of each device before using it in a particular application.

Standard: Computers, office equipment, communications equipment, test and measurement equipment, audio and visual equipment, home electronic appliances, machine tools, personal electronic equipment and industrial robots

Special: Transportation equipment (automobiles, trains, ships, etc.), traffic control systems, anti-disaster systems, anti-crime systems, safety equipment and medical equipment (not specifically designed for life support)

Specific: Aircrafts, aerospace equipment, submersible repeaters, nuclear reactor control systems, life support systems or medical equipment for life support, etc.

The quality grade of NEC devices is "Standard" unless otherwise specified in NEC's Data Sheets or Data Books. If customers intend to use NEC devices for applications other than those specified for Standard quality grade, they should contact an NEC sales representative in advance.

Anti-radioactive design is not implemented in this product.