

V831™  
32-BIT MICROPROCESSOR

## DESCRIPTION

The  $\mu$ PD70501 (V831) is a 32-bit RISC microprocessor for embedded control applications, with a high-performance 32-bit V830™ processor core and many peripheral functions such as a DRAM/ROM controller, 4-channel DMA controller, real-time pulse unit, serial interface, and interrupt controller.

In addition to high interrupt response speed and optimized pipeline structure, the V831 offers sum-of-products operation instructions, concatenated shift instructions, and high-speed branch instructions to realize multimedia functions, and therefore, can provide high performance in multimedia systems such as internet/intra-net systems, car navigation systems, high-performance televisions, and color FAXes.

**Detailed explanations of the functions, etc. are given in the following user's manuals. Be sure to read the manuals before designing your systems.**

V831 User's Manual -Hardware : U12273E

V830 Family™ User's Manual -Architecture : U12496E

## FEATURES

- CPU function
  - V830-compatible instructions
  - Instruction cache : 4 KB
  - Instruction RAM : 4 KB
  - Data cache : 4 KB
  - Data RAM : 4 KB
  - Minimum number of instruction execution cycles : 1 cycle
  - Number of general purpose registers : 32 bits × 32
  - Memory space and I/O space : 4 GB each
- Interrupt/exception function
  - Non-maskable: External input : 1
  - Maskable : External input : 8 (of which 4 are multiplexed with internal sources)  
Internal source: 11 types
- Bus control function
- Wait control function
- Memory access control function
- DMA controller : 4 channel
- Serial interface function
  - Asynchronous serial interface (UART): 1 channel
  - Clocked serial interface (CSI) : 1 channel
  - Dedicated baud rate generator (BRG): 1 channel
- Timer/counter function
  - 16-bit timer/event counter : 1 channel
  - 16-bit interval timer : 1 channel
- Port function : 3 I/O ports
- Clock generation function : PLL clock synthesizer
- Standby function : HALT and STOP modes
- Debug function
  - Debug-dedicated synchronous serial interface : 1 channel
  - Trace-dedicated interface : 1 channel

The information in this document is subject to change without notice.

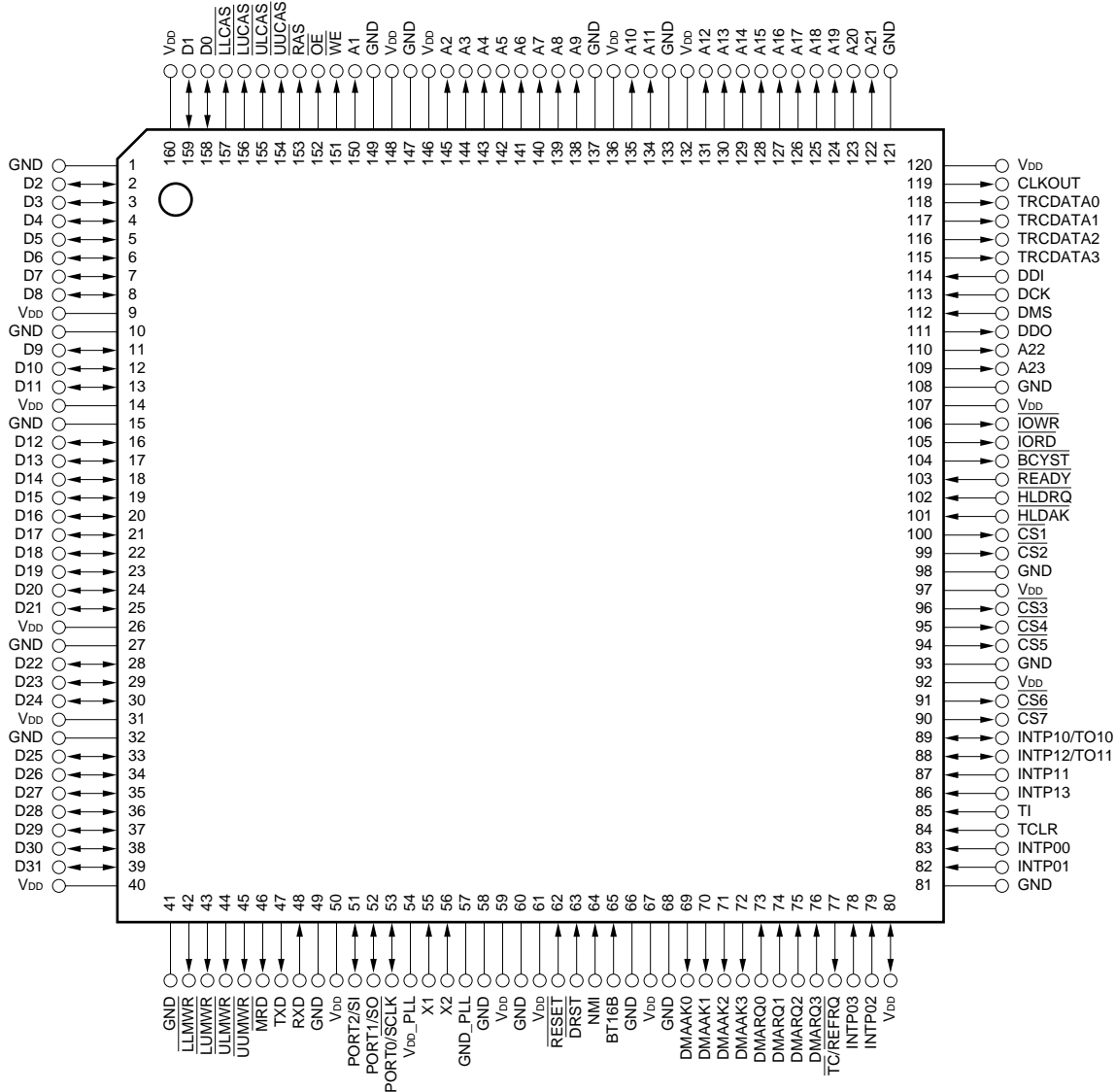
ORDERING INFORMATION

Part Number	Package
μPD705101GM-100-8ED	160-pin plastic LQFP (fine pitch) (24 × 24 mm)

PIN CONFIGURATION (TOP VIEW)

- 160-pin plastic LQFP (fine pitch) (24 × 24 mm)

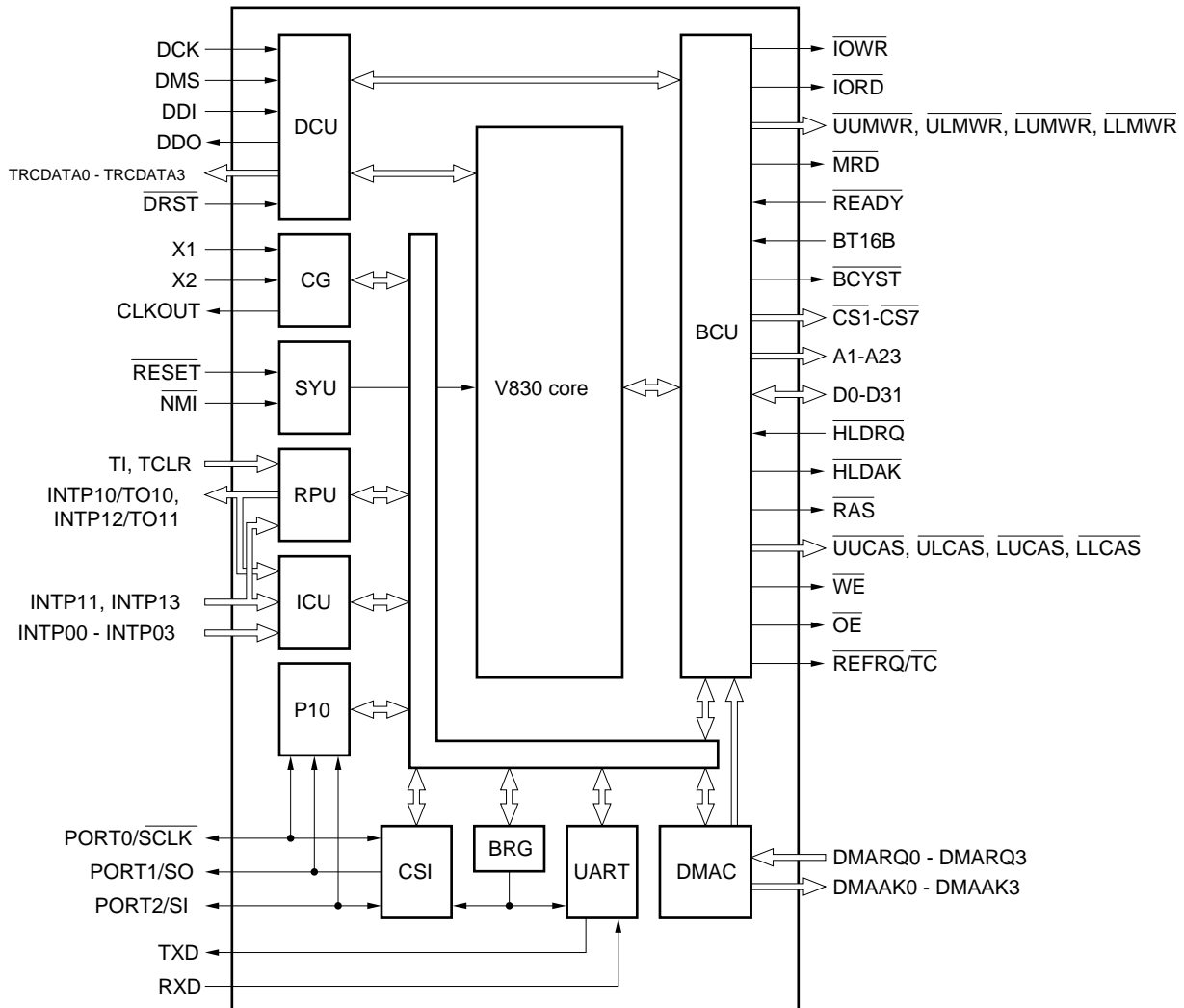
μPD705101GM-100-8ED



## PIN NAMES

A1-A23	: Address Bus	$\overline{\text{NMI}}$	: Non-Maskable Interrupt Request
$\overline{\text{BCYST}}$	: Bus Cycle Start	$\overline{\text{OE}}$	: Output Enable
BT16B	: Boot Bus Size 16 bit	PORT0-PORT2	: Port
CLKOUT	: Clock Out	$\overline{\text{RAS}}$	: Row Address Strobe
$\overline{\text{CS1-CS7}}$	: Chip Select	$\overline{\text{READY}}$	: Ready
D0-D31	: Data Bus	$\overline{\text{REFRQ}}$	: Refresh Request
DCK	: Debug Clock	$\overline{\text{RESET}}$	: Reset
DDI	: Debug Data Input	RXD	: Receive Data
DDO	: Debug Data Output	$\overline{\text{SCLK}}$	: Serial Clock
DMAAK0-DMAAK3	: DMA Acknowledge	SI	: Serial Input
DMARQ0-DMARQ3	: DMA Request	SO	: Serial Output
DMS	: Debug Mode Select	$\overline{\text{TC}}$	: Terminal Count
$\overline{\text{DRST}}$	: Debug Reset	TCLR	: Timer Clear
GND	: Ground	TI	: Timer Input
GND_PLL	: PLL Ground	TO10, TO11	: Timer Output
$\overline{\text{HLDK}}$	: Hold Acknowledge	TRCDATA0-TRCDATA3	
$\overline{\text{HLDRQ}}$	: Hold Request		: Trace Data
INTP00-INTP03, INTP10-INTP13		TXD	: Transmit Data
	: Interrupt Request From Peripheral	$\overline{\text{ULCAS}}$	: Upper Lower Column Address Strobe
$\overline{\text{IORD}}$	: I/O Read	$\overline{\text{ULMWR}}$	: Upper Lower Memory Write
$\overline{\text{IOWR}}$	: I/O Write	$\overline{\text{UUCAS}}$	: Upper Upper Column Address Strobe
$\overline{\text{LLCAS}}$	: Lower Lower Column Address Strobe	$\overline{\text{UUMWR}}$	: Upper Upper Memory Write
$\overline{\text{LLMWR}}$	: Lower Lower Memory Write	V <sub>DD</sub>	: Power Supply
$\overline{\text{LUCAS}}$	: Lower Upper Column Address Strobe	V <sub>DD_PLL</sub>	: PLL Power Supply
$\overline{\text{LUMWR}}$	: Lower Upper Memory Write	$\overline{\text{WE}}$	: Write Enable
$\overline{\text{MRD}}$	: Memory Read	X1, X2	: Crystal Oscillator

BLOCK DIAGRAM



**CONTENTS**

**1. PIN FUNCTIONS LIST ..... 6**

**2. INTERNAL UNITS ..... 8**

**3. CPU FUNCTION ..... 10**

**4. INTERRUPT/EXCEPTION PROCESSING FUNCTION ..... 11**

**5. BUS CONTROL FUNCTION ..... 13**

**6. WAIT CONTROL FUNCTION ..... 13**

**7. MEMORY ACCESS CONTROL FUNCTION ..... 14**

    7.1 DRAM Control Function ..... 14

    7.2 Page-ROM Control Function ..... 15

**8. DMA FUNCTION ..... 16**

**9. SERIAL INTERFACE FUNCTION ..... 18**

    9.1 Asynchronous Serial Interface (UART) ..... 18

    9.2 Clocked Serial Interface (CSI) ..... 20

    9.3 Baud Rate Generator (BRG) ..... 21

        9.3.1 Configuration and function ..... 21

**10. TIMER/COUNTER FUNCTION ..... 22**

**11. PORT FUNCTION ..... 25**

**12. CLOCK GENERATION FUNCTION ..... 27**

**13. STANDBY FUNCTION ..... 28**

**14. RESET/NMI CONTROL FUNCTION ..... 30**

**15. INSTRUCTIONS ..... 31**

    15.1 Instruction Format ..... 31

    15.2 Instructions (Listed Alphabetically) ..... 33

**16. ELECTRICAL SPECIFICATIONS ..... 43**

**17. PACKAGE DRAWINGS ..... 65**

**18. RECOMMENDED SOLDERING CONDITIONS ..... 66**

1. PIN FUNCTIONS LIST

(1/2)

Pin Name	I/O	Function	Multiplexed Pin	
D0-D31	3-state I/O	Data bus	–	
A1-A23	3-state output	Address bus	–	
$\overline{UUCAS}$		Column address strobe (most significant byte)	–	
$\overline{ULCAS}$		Column address strobe (most significant byte)	–	
$\overline{LUCAS}$		Column address strobe (third byte)	–	
$\overline{LLCAS}$		Column address strobe (least significant byte)	–	
$\overline{RAS}$		Row address strobe/chip select	–	
$\overline{UUMWR}$		Memory write strobe (most significant byte)	–	
$\overline{ULMWR}$		Memory write strobe (second byte)	–	
$\overline{LUMWR}$		Memory write strobe (third byte)	–	
$\overline{LLMWR}$		Memory write strobe (least significant byte)	–	
$\overline{MRD}$		Memory read strobe	–	
$\overline{WE}$		DRAM write strobe	–	
$\overline{OE}$		DRAM read strobe	–	
$\overline{IORD}$		I/O read strobe	–	
$\overline{IOWR}$		I/O write strobe	–	
$\overline{REFRQ}$		DRAM refresh request	$\overline{TC}$	
$\overline{CS1}, \overline{CS2}, \overline{CS7}$		Memory chip select	–	
$\overline{CS3}-\overline{CS6}$		Memory chip select / I/O chip select	–	
$\overline{BCYST}$		Bus cycle start	–	
BT16B		Input	Specifies bus size on boot	–
$\overline{READY}$			Enables end of bus cycle	–
DMARQ0-DMARQ3		Output	DMA request (CH0 through CH3)	–
DMAAK0-DMAAK3			DMA enable (CH0 through CH3)	–
$\overline{TC}$	DMA transfer end		$\overline{REFRQ}$	
RXD	Input	UART data input	–	
TXD	Output	UART data output	–	
SI	Input	CSI data input	PORT2	
SO	Output	CSI data output	PORT1	
$\overline{SCLK}$	I/O	CSI clock I/O	PORT0	
TI	Input	Timer 1 count clock input	–	
TCLR		Timer 1 clear, start	–	
TO10	Output	RPU pulse output	INTP10	
TO11			INTP12	

(2/2)

Pin Name	I/O	Function	Multiplexed Pin
INTP10	Input	Interrupt request	TO10
INTP11			–
INTP12			TO11
INTP13			–
INTP00-INTP03			–
HLDRQ			Bus request
HLDK	Output	Bus enable	–
NMI	Input	Non-maskable interrupt request	–
RESET		System reset	–
PORT0	I/O	Port	SCLK
PORT1			SO
PORT2			SI
X1	–	Connects crystal resonator. (Opened when external clock is input.)	–
X2	Input	Connects crystal resonator or inputs external clock.	–
CLKOUT	Output	Bus clock output	–
DCK	Input	Debug clock input	–
DDI		Debug data input	–
DDO	3-state output	Debug data output	–
DMS	Input	Debug mode select	–
DRST		Reset input (debug module)	–
TRCDATA0-TRCDATA3	Output	Trace data output	–
V <sub>DD</sub>	–	Positive power supply	–
GND		Ground potential	–
V <sub>DD_PLL</sub>		Positive power supply for PLL (internal clock generator)	–
GND_PLL		Ground potential for PLL (internal clock generator)	–

## 2. INTERNAL UNITS

### (1) Bus control unit (BCU)

Controls the address bus, data bus, and control bus pins. The major functions of BCU are as follows:

#### (a) Bus arbitration

Arbitrates the bus mastership among bus masters (CPU, DRAMC, DMAC, and external bus masters). The bus mastership can be changed after completion of the bus cycle under execution, and in an idle state.

#### (b) Wait control

Controls eight areas in the 16M-byte space corresponding to  $\overline{\text{RAS}}$  and seven chip select signals ( $\overline{\text{CS1}}$  through  $\overline{\text{CS7}}$ ). Generates chip select signals, controls wait states, and selects the type of bus cycle.

#### (c) DMA controller

Generates  $\overline{\text{RAS}}$  and four  $\overline{\text{CAS}}$  signals, and controls access to DRAM. The hyper page mode of DRAM is supported and DRAM can be accessed in two types of cycle: normal access (off-page) and hyper page (on-page).

#### (d) ROM controller

Accessing ROM with page access function is supported. The bus cycle immediately before and addresses are compared, and wait states are controlled in the normal access (off-page) and page access (on-page) modes. A page width of 8 bytes to 16 bytes can be supported.

### (2) Interrupt controller (ICU)

Services maskable interrupt requests (INTP00 through INTP03, and INTP10 through INTP13) from internal peripheral hardware and external sources. The priorities of these interrupt requests can be specified in units of four groups, and edge-triggered or level-triggered interrupts can be nested.

### (3) DMA controller (DMAC)

Transfers data between memory and I/O in the place of the CPU. The transfer type is 2-cycle transfer. Two transfer modes, single transfer and demand transfer, are available.

### (4) Serial interface (UART/CSI/BRG)

One asynchronous serial interface (UART) channel and one clocked serial interface (CSI) channel is provided. As the serial clock source, the output of the baud rate generator (BRG) and the bus clock can be selected.

### (5) Real-time pulse unit (RPU)

Provides timer/counter functions. The on-chip 16-bit time/event counter and 16-bit interval timer can be used to calculate pulse intervals and frequencies, and to output programmable pulses.

### (6) Clock generator (CG)

A frequency three times higher than that of an oscillator connected to the X1 and X2 pins is supplied as the operating clock of the CPU. In addition, a bus clock (with the same cycle as the input clock) is also supplied as the operating clock of the peripheral units. An external clock can be also input instead of connecting an oscillator.

### (7) Port (PIO)

Provides port functions. Three I/O ports are available. The pins of these ports can be used as port pins or serial control pins.



**(8) System control unit (SYU)**

A circuit that rejects noise on the  $\overline{\text{RESET}}$  signal (input)/ $\overline{\text{NMI}}$  signal (input) is provided.

**(9) Debug control unit (DCU)**

A circuit to realize mapping and trace functions is provided to implement basic debugging functions.

### 3. CPU FUNCTION

The features of the CPU function are as follows:

- High-performance 32-bit architecture for embedded control applications
  - Cache memory
    - Instruction cache : 4K bytes
    - Data cache : 4K bytes
  - Internal RAM
    - Instruction RAM : 4K bytes
    - Data RAM : 4K bytes
  - 1-clock pitch pipeline structure
  - 16-/32-bit length instruction format
  - Address/data separated type bus
  - 4GB linear address
  - Thirty-two 32-bit general register
  - Register/flag hazard interlock is handled by hardware
  - 16 levels of interrupt response
- 16-bit bus fixed function
  - 16-bit bus system can be constructed
- Ideal instructions for any application field:
  - Sum-of-products operation
  - Saturation operation
  - Branch prediction
  - Concatenation shift
  - Block transfer instruction

#### 4. INTERRUPT/EXCEPTION PROCESSING FUNCTION

The features of the interrupt/exception processing function are as follows:

- Interrupt
  - Non-maskable interrupt: 1 source
  - Maskable interrupt : 15 sources
  - Priority of the programmable interrupt can be specified in four levels
  - Nesting interrupt can be controlled according to the priority
  - Mask can be specified for each maskable interrupt request
  - Valid edge of an external interrupt request can be specified
  - Noise rejection circuit provided for the non-maskable interrupt pin ( $\overline{\text{NMI}}$ )
- Exception
  - Software exception : 32 sources
  - Exception trap : 4 sources

The interrupt/exception sources are shown in Tables 4-1 and 4-2.

**Table 4-1. Reset/Non-maskable Interrupt/Exception Source List**

Type	Classification	Source of Interrupt/Exception		Exception Code (ECR)	Handler Address	Restore PC <sup>Note 2</sup>
		Name <sup>Note 1</sup>	Cause			
Reset	Interrupt	RESET	Reset input	FFF0H	FFFFFFF0H	Undefined
Non-maskable	Interrupt	NMI	NMI input	FFD0H	FFFFFFD0H	next PC <sup>Note 3</sup>
Software exception	Exception	TRAP 1nH	TRAP instruction	FFBnH	FFFFFFB0H	next PC
		TRAP 0nH	TRAP instruction	FFAnH	FFFFFFA0H	
Exception trap	Exception	NMI	Dual exception	<b>Note 4</b>	FFFFFFD0H	current PC
		FAULT	Fatal exception	Not affected	FFFFFFE0H	
		I-OPC	Illegal instruction code	FF90H	FFFFFF90H	
		DIV0	Zero division	FF80H	FFFFFF80H	

- Notes**
1. Handler names used in development tools or software.
  2. The PC value saved to EIPC/FEPC/DPC when interrupt/exception processing is started.
  3. Execution of all instructions cannot be stopped by an interrupt.
  4. The exception code of an exception causing a dual exception.

**Remark** n = 0H to FH

Table 4-2. Maskable Interrupt List

Type	Classification	Group	In-Group Priority	Source of Interrupt			Exception Code	Handler Address <sup>Note 3</sup>		Restore PC <sup>Note 1</sup>
				Name	Cause	Unit		HCCW.IHA=0	HCCW.IHA=1	
Maskable	Interrupt	GR3	3	RESERVED	Reserved	–	FEF0H	FFFFFFEF0H	FE0000F0H	next
			2	INTOV1	Timer 1 overflow	RPU	FEE0H	FFFFFFEE0H	FE0000E0H	PC <sup>Note 2</sup>
			1	INTSER	UART receive error	UART	FED0H	FFFFFFED0H	FE0000D0H	
			0	INTP03	INTP03 pin input	External	FEC0H	FFFFFFEC0H	FE0000C0H	
		GR2	3	INTSR	UART receive end	UART	FEB0H	FFFFFFEB0H	FE0000B0H	
			2	INTST	UART transmit end	UART	FEA0H	FFFFFFEA0H	FE0000A0H	
			1	INTCSI	CSI transmit/receive end	CSI	FE90H	FFFFFFE90H	FE000090H	
			0	INTP02	INTP02 pin input	External	FE80H	FFFFFFE80H	FE000080H	
		GR1	3	INTDMA	DMA transfer end	DMAC	FE70H	FFFFFFE70H	FE000070H	
			2	INTP10/ INTCC10	INTP10 pin input/ coincidence of CC10	External/ RPU	FE60H	FFFFFFE60H	FE000060H	
			1	INTP11/ INTCC11	INTP11 pin input/ coincidence of CC11	External/ RPU	FE50H	FFFFFFE50H	FE000050H	
			0	INTP01	INTP01 pin input	External	FE40H	FFFFFFE40H	FE000040H	
		GR0	3	INTCM4	Coincidence of CM4	RPU	FE30H	FFFFFFE30H	FE000030H	
			2	INTP12/ INTCC12	INTP12 pin input/ coincidence of CC11	External/ RPU	FE20H	FFFFFFE20H	FE000020H	
			1	INTP13/ INTCC13	INTP13 pin input/ coincidence of CC13	External/ RPU	FE10H	FFFFFFE10H	FE000010H	
			0	INTP00	INTP00 pin input	External	FE00H	FFFFFFE00H	FE000000H	

- Notes**
1. The PC value saved to EIPC when interrupt processing is started.
  2. Execution of all instructions cannot be stopped by an interrupt.
  3. FFFFFFFEn0H can be selected as a handler address when HCCW.IHA = 0, and FE0000n0H can be selected when HCCW.IHA = 1 (N = 0H to FH).

**Caution** The exception codes and handler addresses of the maskable interrupts shown above are the values if the default priority is used.

## 5. BUS CONTROL FUNCTION

The features of the bus control function are as follows:

- Directly connects to EDO DRAM, Page-ROM, SRAM (ROM), or I/O
- $\overline{\text{CAS}}$  access with 1 bus clock minimum
- DRAM byte access control with four  $\overline{\text{CAS}}$  signals
- Wait control by  $\overline{\text{READY}}$  signal
- 32-/16-bit bus width can be set every CS space
  - When the 16-bit memory or I/O are accessed by data bus, the external data bus width can be set by the data bus width control register (DBC).

## 6. WAIT CONTROL FUNCTION

The features of the wait control function are as follows:

- Controls 8 blocks in accordance with I/O and memory spaces
- Linear address space of each block: 16M bytes
- Bus cycle select function
  - Block 0 : EDO DRAM
  - Blocks 1 and 2 : SRAM (ROM)
  - Blocks 3 through 6 : I/O or SRAM (ROM) selectable
  - Block 7 : Page-ROM or SRAM (ROM) selectable
- Data bus width select function
  - Data bus width selectable between 32 bits and 16 bits for each block
- Wait control function
  - Block 0 : Can control EDO DRAM access timing
  - Blocks 1 through 4 and 7 : 0 to 7 wait states
  - Blocks 5 and 6 : 0 to 15 wait states
- Idle state insertion function
  - 0 to 3 states for each block (bus clock)

## 7. MEMORY ACCESS CONTROL FUNCTION

The features of the memory access control function are as follows:

- DRAM control function
  - Generates  $\overline{\text{RAS}}$ ,  $\overline{\text{LLCAS}}$ ,  $\overline{\text{LUCAS}}$ ,  $\overline{\text{ULCAS}}$ ,  $\overline{\text{UUCAS}}$ ,  $\overline{\text{REFRQ}}$ ,  $\overline{\text{OE}}$ , and  $\overline{\text{WE}}$  signals
  - Address multiplex: 8, 9, or 10 bits
  - Timing control of DRAM access
    - $\overline{\text{CAS}}$  access period : 1 or 2 bus clocks selectable
    - $\overline{\text{RAS}}$ - $\overline{\text{CAS}}$  delay period : 1.5 or 2.5 bus clocks selectable
    - $\overline{\text{RAS}}$  precharge period : 2 or 3 bus clocks selectable
  - CBR refresh and CBR self-refresh functions
- Page-ROM control function
  - Page size : 8 or 16 bytes
  - Wait control during page access: 0 or 1 wait states

### 7.1 DRAM Control Function

The BCU generates  $\overline{\text{RAS}}$ ,  $\overline{\text{LLCAS}}$ ,  $\overline{\text{LUCAS}}$ ,  $\overline{\text{ULCAS}}$ ,  $\overline{\text{UUCAS}}$ ,  $\overline{\text{REFRQ}}$ ,  $\overline{\text{OE}}$ , and  $\overline{\text{WE}}$  signals and controls access to the DRAM. Addresses are output to the DRAM from the address pins by multiplexing row and column addresses.

The connected DRAM must be of x8 bits or more and have a hyper page mode (EDO).

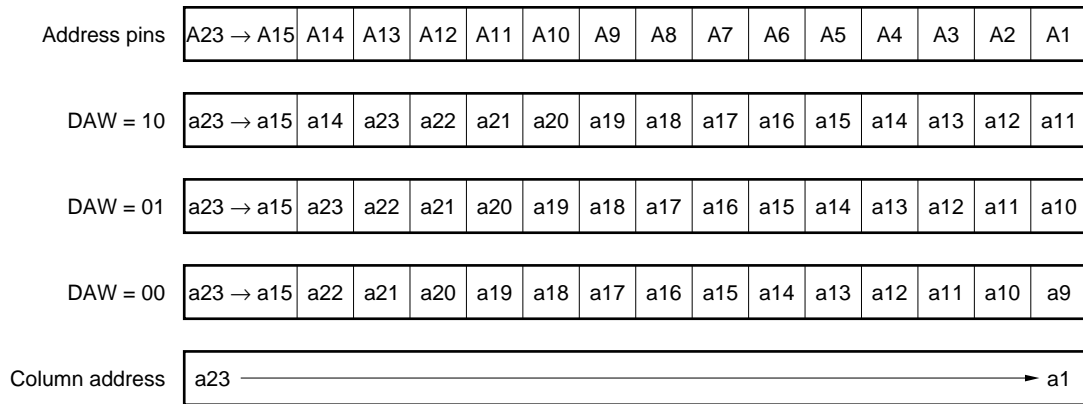
The refresh mode is a  $\overline{\text{CAS}}$ -before- $\overline{\text{RAS}}$  (CBR) mode, and the refresh cycle can be arbitrarily set.

CBR self refresh is performed in the STOP mode.

#### (1) Address multiplex function

An address is multiplexed as shown in Figure 7-1 when a row and column addresses are output in the DMA cycle, depending on the value of the DAW bit of the DRAM configuration register (DRC). In this figure, a1 through a23 indicate the address output by the CPU, and A1 through A23 indicate the address pins of the V831.

Figure 7-1. Output of Row Address and Column Address



**(2) Decision of on-page/off-page**

If the RAS signal is active when page access is enabled because the HPAE bit of the DRAM configuration register (DRC) is 1, whether the DRAM access to be started is in the same page as the previous DRAM access is decided. Table 7-1 shows the relation between an address to be compared and address shift.

Table 7-1. Address Compared by on-page/off-page Decision

Address Shift	Data Bus Width	
	16 bits	32 bits
8	a23-a9	a23-a10
9	a23-a10	a23-a11
10	a23-a11	a23-a12

**(3) Refresh function**

The BCU can automatically generate the distributed CBR refresh cycle necessary for refreshing the external DRAM. Whether refreshing is enabled or disabled and the refresh interval are set by the refresh control register (RFC).

The BCU has a refresh request queue that can store refresh requests up to seven times.

**7.2 Page-ROM Control Function**

The BCU controls page access to the Page-ROM. Page access to the Page-ROM is valid during burst access. The page size (8 bytes/16 bytes) and the number of wait states (0 wait/1 wait) during page access can be set by using the Page-ROM configuration register (PRC).

## 8. DMA FUNCTION

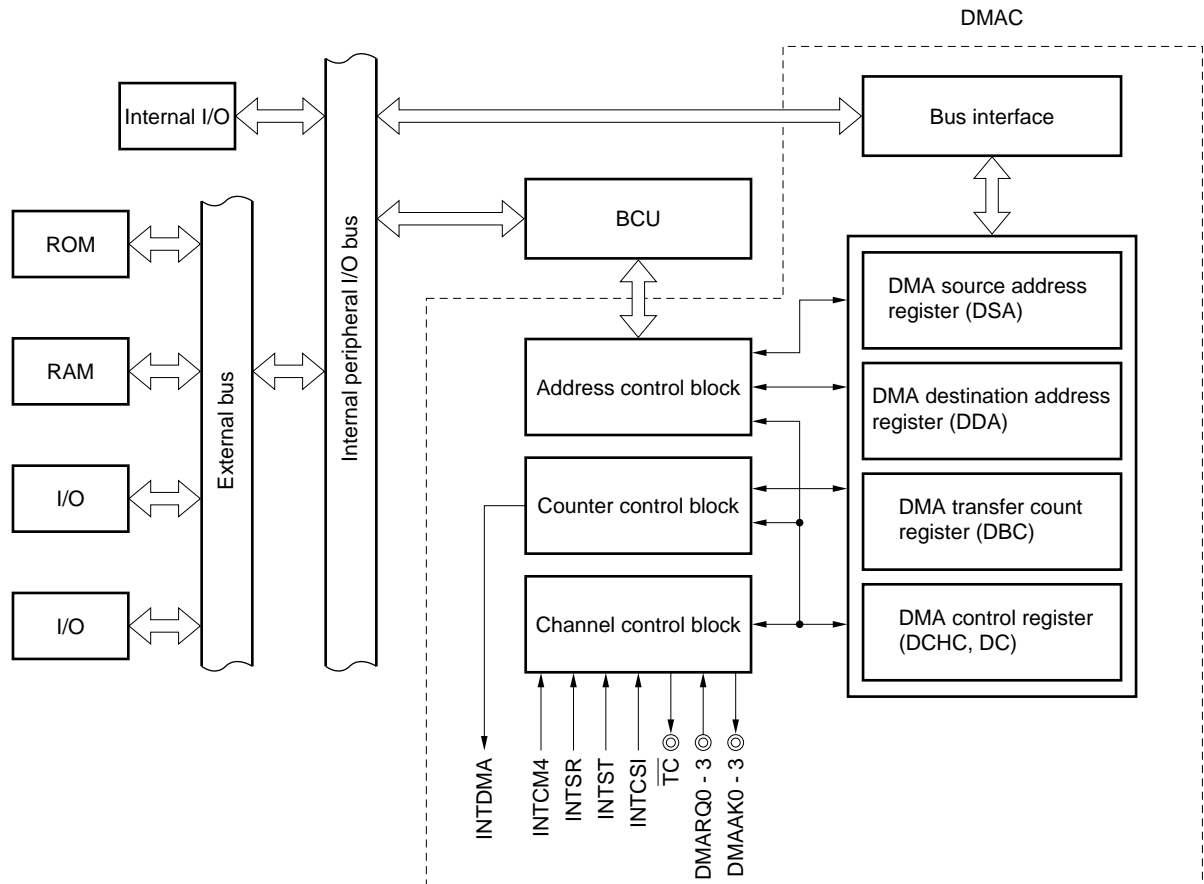
The features of the DMA function are as follows:

- Four independent DMA channels
- Transfer unit: Bytes, half words (2 bytes), words (4 bytes)
- Maximum number of transfers: 16,777,216 ( $2^{24}$ ) times
- Transfer type: 2-cycle transfer
- Two transfer modes
  - Single transfer mode
  - Demand transfer mode
- Transfer request
  - External DMARQ pin ( $\times 4$ )
  - Request from internal peripheral hardware (serial interface ( $\times 3$  channels) and timer)
  - Request from software
- Transfer source and destination
  - Between memory and I/O
  - Between memory and memory
- Programmable wait function
- DMA transfer end output signal ( $\overline{TC}$ )



The configuration of the DMA controller (DMAC) is shown below.

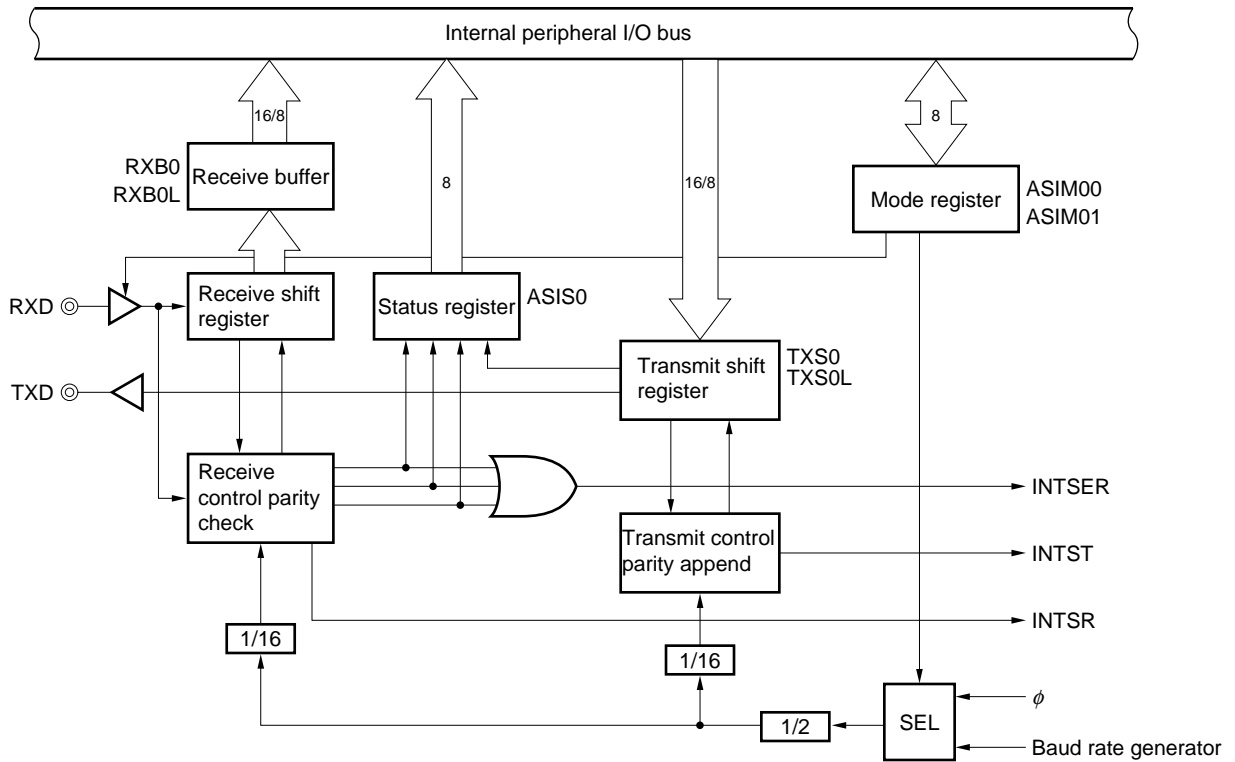
Figure 8-1. DMAC Block Diagram





The configuration of the asynchronous serial interface (UART) is shown below.

Figure 9-1. Block Diagram of UART



**Remark**  $\phi$  = bus clock (33 M to 16.7 MHz)

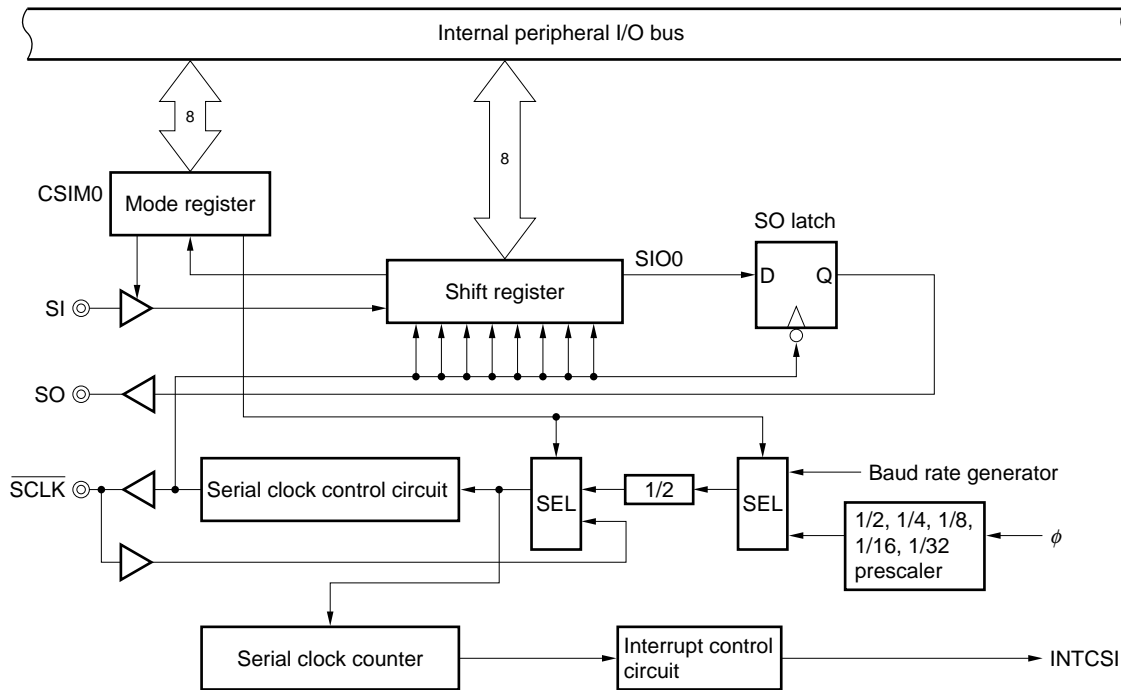
9.2 Clocked Serial Interface (CSI)

The features of the clocked serial interface (CSI) are as follows:

- High-speed transfer: 8.25 Mbps MAX. (bus clock: 33 MHz)
- Half duplex communication for transmission/reception (buffer is not provided)
- Character length: 8 bits
- External or internal clock selectable

The configuration of the clocked serial interface (CSI) is shown below.

Figure 9-2. Block Diagram of CSI



Remark φ = bus clock (33 M to 16.7 MHz)

### 9.3 Baud Rate Generator (BRG)

#### 9.3.1 Configuration and function

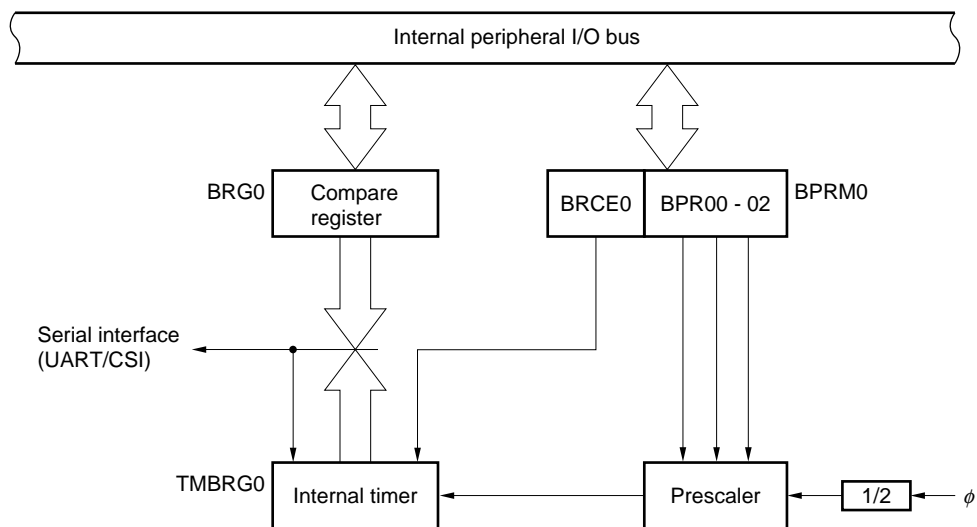
The serial interface can use the serial clock output by the baud rate generator or the divided value of  $\phi$  (bus clock) as a baud rate.

The serial clock source is specified by the following registers.

- In the case of UART : Specified by the SCLS0 bit of the ASIM00 register.
- In the case of CSI : Specified by the CLS02 through CLS00 bits of the CSIM0 register.
- The baud rate generator is shared by the UART and CSI.

The configuration of the baud rate generator (BRG) is shown below.

Figure 9-3. Block Configuration of Baud Rate Generator (BRG)



**Remark**  $\phi$  = bus clock (33 M to 16.7 MHz)

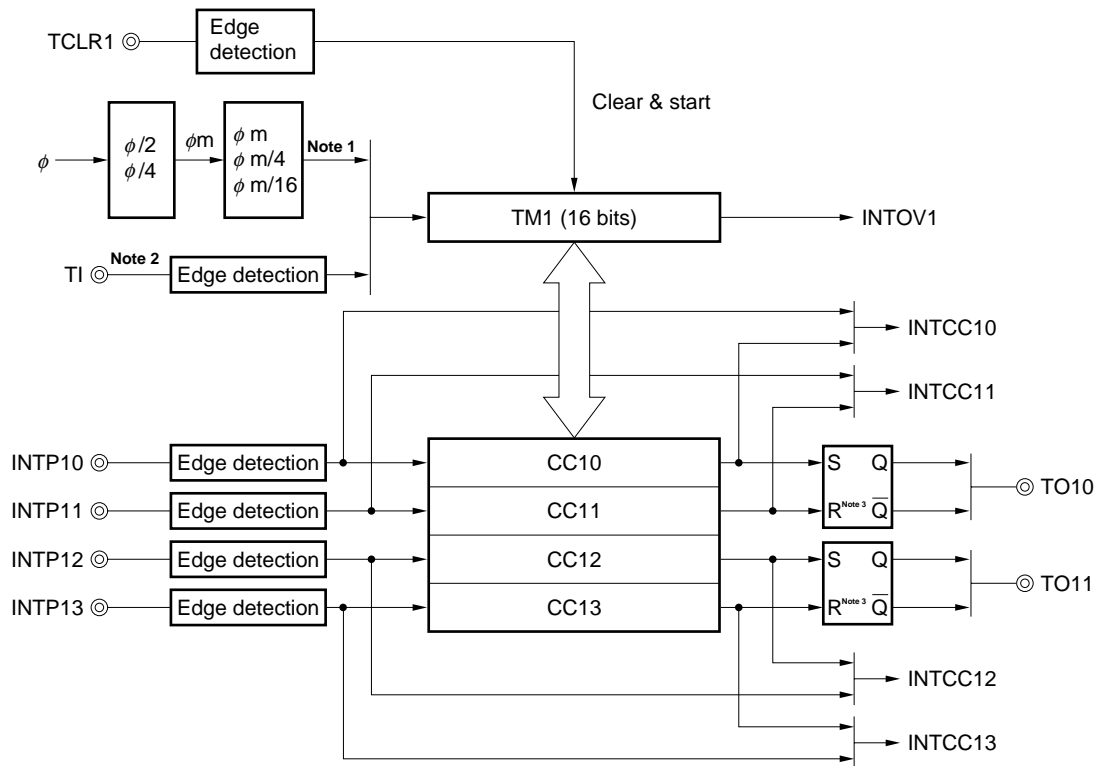
## 10. TIMER/COUNTER FUNCTION

The features of the timer/counter function are as follows:

- Measures pulse interval and frequency and outputs programmable pulse
  - 16-bit measurement
  - Can generate pulses of various shapes (interval pulse, one-shot pulse)
- Timer 1
  - 16-bit timer/event counter
  - Source of count clock : 2 types (selected by dividing system clock, external pulse input)
  - Capture/compare register:  $\times 4$
  - Count clear pin : TCLR
  - Interrupt source : 5 types
  - External pulse output : 2 pins
- Timer 4
  - 16-bit interval timer
  - Count clock selected by dividing system clock
  - Compare register:  $\times 1$
  - Interrupt source : 1 type

The configurations of timer 1 and timer 4 are shown below.

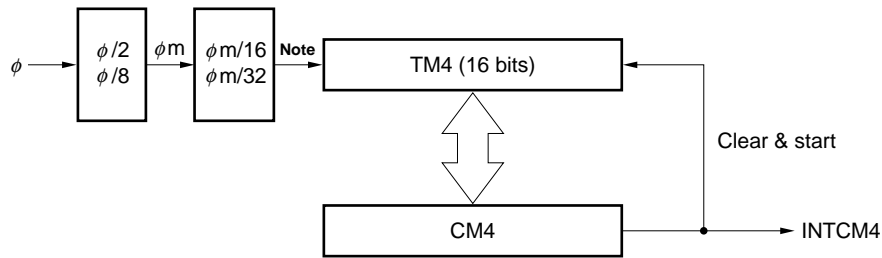
Figure 10-1. Block Configuration of Timer 1



- Notes**
1. Internal count clock
  2. External count clock (TI: 4.125 MHz MAX.)
  3. Reset priority

- Remarks**
1.  $\phi$  = bus clock (33 M to 16.7 MHz)
  2.  $\phi m$  = intermediate clock

Figure 10-2. Block Configuration of Timer 4



**Note** Internal count clock

- Remarks**
1.  $\phi$  = bus clock (33 M to 16.7 MHz)
  2.  $\phi_m$  = intermediate clock



11. PORT FUNCTION

The features of the port function are as follows:

- 3-bit input/output port which can be specified in 1-bit units
- In addition to the port function, the port can operate as the I/O of the serial interface (CSI) in the control mode
  - Port 0 (control mode): operates as  $\overline{\text{SCLK}}$
  - Port 1 (control mode): operates as SO
  - Port 2 (control mode): operates as SI

The configurations of port 0 through 2 are shown below.

Figure 11-1. Block Diagram of Port 0

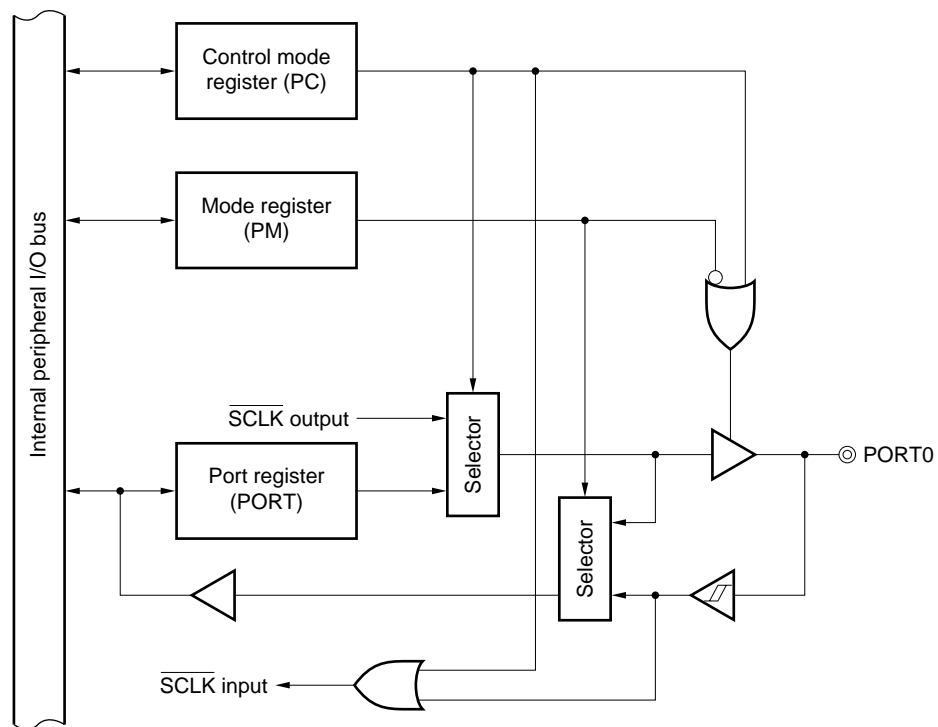


Figure 11-2. Block Diagram of Port 1

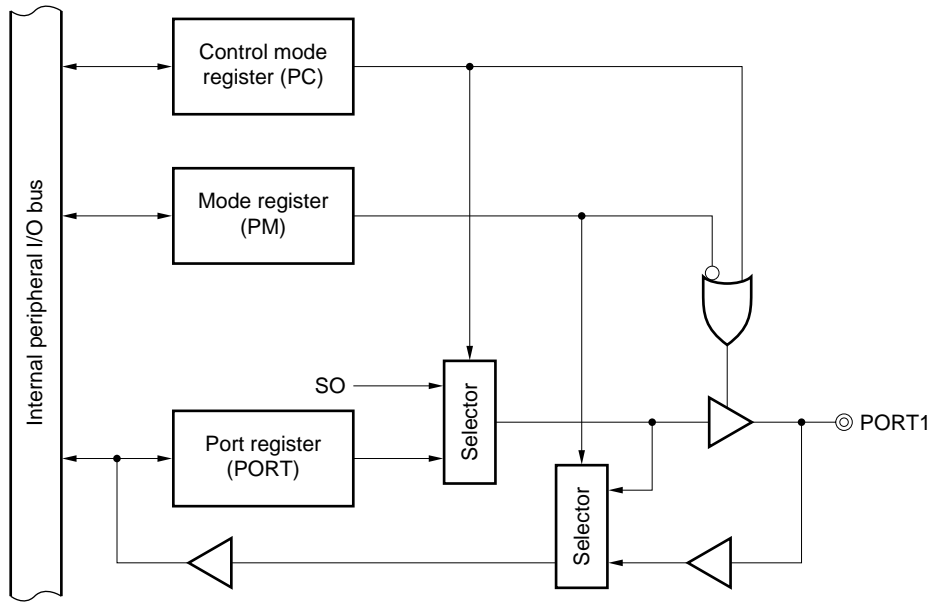
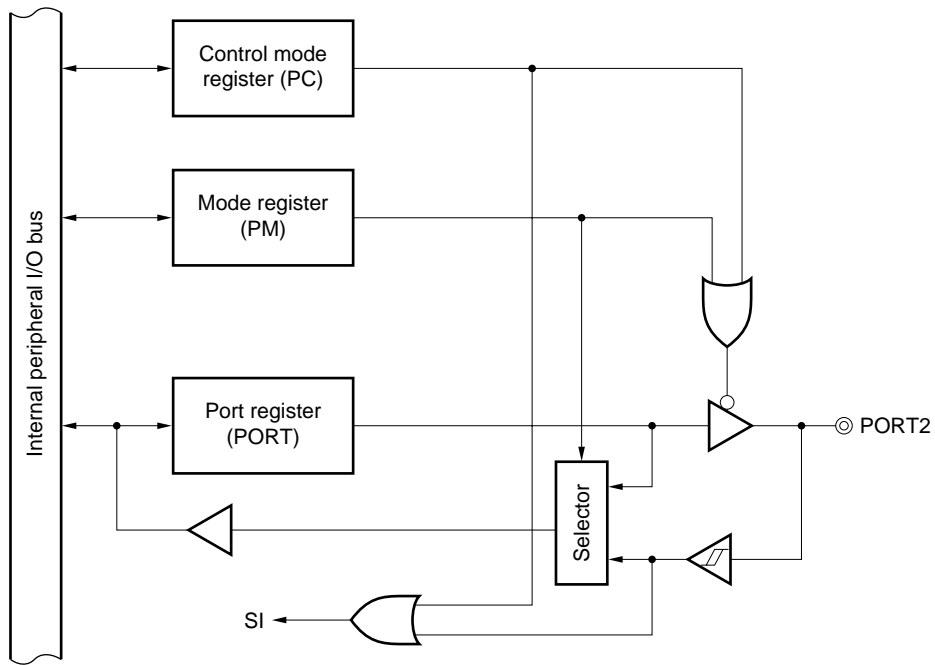


Figure 11-3. Block Diagram of Port 2



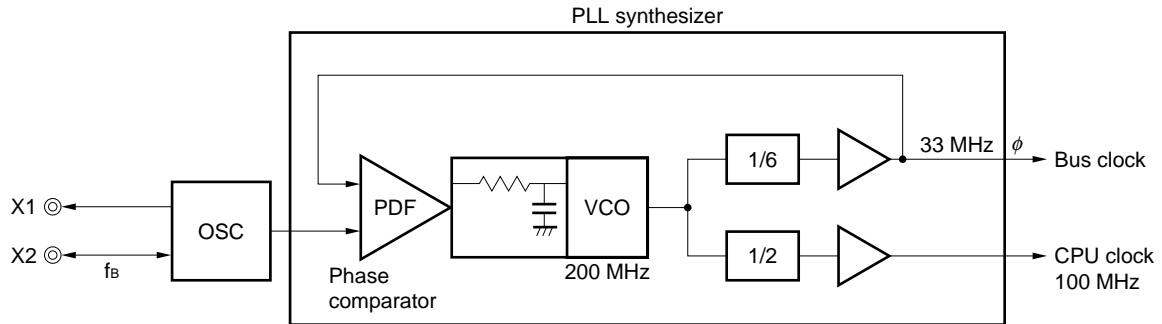
12. CLOCK GENERATION FUNCTION

The features of the clock generation function are as follows:

- Generation and control of CPU clock and bus clock supplied to each hardware unit
  - Bus clock ( $\phi$ ): 16.7-33 MHz ( $f_B$ )
  - CPU clock : 50-100 MHz ( $3 \times f_B$ )

The configuration of the clock generation function is shown below.

Figure 12-1. Block Diagram of Clock Generation Function



$f_B$  : Oscillation frequency or external clock frequency

$\phi$  : Bus clock

OSC : Oscillator

PFD : Phase Frequency Detector

VCO : Voltage Controlled Oscillator

### 13. STANDBY FUNCTION

The following two standby modes can be used.

**(1) HALT mode**

In this mode, the clock generator (oscillation circuit and PLL synthesizer) operates, but the operating clock of the CPU is stopped. The other internal peripheral functions are supplied with the clock and continue operation. By using this mode in combination with the normal mode, the power consumption of the entire system can be reduced.

**(2) STOP mode**

In this mode, the clock generator (PLL synthesizer) is stopped and the entire system is stopped. Because the PLL synthesizer and internal peripheral functions are stopped, the power consumption can be reduced more than in the HALT mode.

Because the clock output of the PLL synthesizer is stopped, make sure that sufficient time elapses after the STOP mode is released until the oscillation circuit, CPU clock, and bus clock are stabilized. The PLL circuit may require lock up time depending on the program.

Table 13-1 shows the operations of the clock generator in the HALT and STOP modes. By selecting each mode as the application requires, the power consumption of the system can be efficiently reduced.

**Table 13-1. Operation of Clock Generator in Standby Mode**

Standby Mode	Oscillation Circuit (OSC)	PLL Synthesizer	Clock Supply to Peripheral I/O	Clock Supply to CPU
Normal mode	○	○	○	○
HALT mode	○	○	○	×
STOP mode	○	×	×	×

**Remark** ○ : Operates  
 × : Stopped

Table 13-2. Operating Status in HALT/STOP Mode

Function	Operating Status <sup>Note 1</sup>	STOP Mode
Oscillation circuit	Operates	
PLL synthesizer	Operates	Stops
Bus clock	Operates	Stops
CPU	Stops	
Port output	Retained	
Peripheral function	Operates	Stops
Internal data	Internal data such as registers of CPU retain status before HALT mode is set.	
A1-A23	Undefined	Undefined
	High impedance when $\overline{\text{HLDAK}} = 0$	
D0-D31	High impedance	
$\overline{\text{BCYST}}$	1	High impedance when $\overline{\text{HLDAK}} = 0$
$\overline{\text{CS1-CS7}}$		
$\overline{\text{IORD}}, \overline{\text{IOWR}}$		
$\overline{\text{MRD}}, \overline{\text{WE}}, \overline{\text{OE}}, \overline{\text{LLMWR}}, \overline{\text{LUMWR}}, \overline{\text{ULMWR}}, \overline{\text{UUMWR}}$		
$\overline{\text{REFRQ}}, \overline{\text{LLCAS}}, \overline{\text{LUCAS}}, \overline{\text{ULCAS}}, \overline{\text{UUCAS}}$	1 <sup>Note 2</sup>	CBR self refresh <sup>Note 4</sup>
$\overline{\text{RAS}}$	<b>Note 3</b>	
$\overline{\text{HLDRQ}}$	Operates	Not accept
CLKOUT	Clock output (when clock output is not disabled)	0

- Notes**
1. Each pin is in the operating status during DMA transfer.
  2. Other than CBR refresh
  3. The previous status is retained before CBR refresh is executed. This pin is set to “1” after CBR refresh.
  4. CBR self refresh is not executed when it is disabled. In this case, the status of this pin before the STOP mode is set is retained.

14. RESET/NMI CONTROL FUNCTION

The features of the reset/NMI control function are as follows:

- $\overline{\text{RESET}}$  and  $\overline{\text{NMI}}$  pins have noise rejection circuit that samples clock.
- Performs forced reset, reset mask, and NMI mask processing from debug control unit

Table 14-1 shows the status of the output pins during the system reset period and immediately after reset. This status is retained during the reset period.

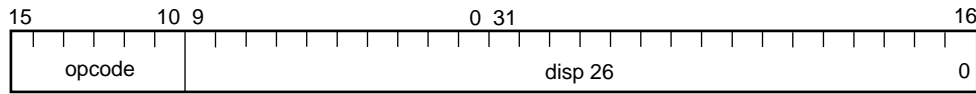
**Table 14-1. Status of Output Pin Immediately after Reset**

Function	Operating Status
A1-A23	Undefined
D0-D31	High impedance
$\overline{\text{CS1}}-\overline{\text{CS7}}$	1
$\overline{\text{BCYST}}$	1
$\overline{\text{IORD}}$ , $\overline{\text{IOWR}}$	1
$\overline{\text{WE}}$ , $\overline{\text{OE}}$	1
$\overline{\text{LLMWR}}$ , $\overline{\text{LUMWR}}$ , $\overline{\text{ULMWR}}$ , $\overline{\text{UUMWR}}$	1
$\overline{\text{LLCAS}}$ , $\overline{\text{LUCAS}}$ , $\overline{\text{ULCAS}}$ , $\overline{\text{UUCAS}}$	1
$\overline{\text{RAS}}$	1
CLKOUT	Clock output
$\overline{\text{HLDK}}$	1
DMAAK0-DMAAK3	1
PORT2/SI	High impedance
PORT1/SO	High impedance
PORT0/ $\overline{\text{SCLK}}$	High impedance
TXD	1
DDO	Undefined
TRCDATA0-TRCDATA3	Undefined
$\overline{\text{TC}}$ / $\overline{\text{REFRQ}}$	1
TO10/INTP10, TO11/INTP12	High impedance



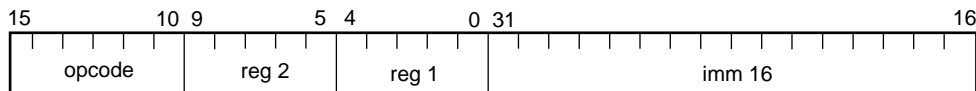
**(4) Medium-distance jump instruction format [FORMAT IV]**

This instruction format has a six-bit operation code field and a 26-bit displacement field (the lowest-order bit must be 0), giving a total length of 32 bits.



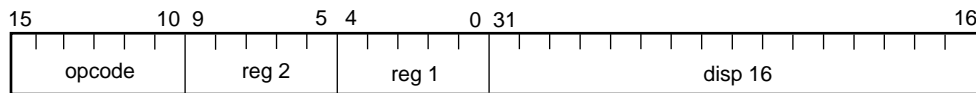
**(5) Three-operand instruction format [FORMAT V]**

This instruction format has a six-bit operation code field, two general-purpose register designation fields, and a 16-bit immediate data field, giving a total length of 32 bits.



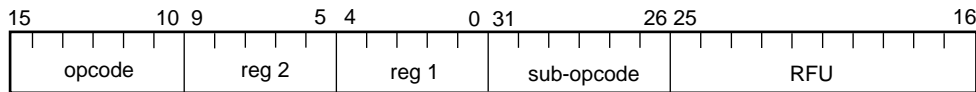
**(6) Load/store instruction format [FORMAT VI]**

This instruction format has a six-bit operation code field, two general-purpose register designation fields, and a 16-bit displacement field, giving a total length of 32 bits.



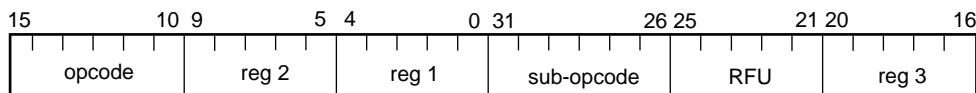
**(7) Extended instruction format [FORMAT VII]**

This instruction format has a six-bit operation code field, two general-purpose register designation fields, and a six-bit sub-operation code field, giving a total length of 32 bits.



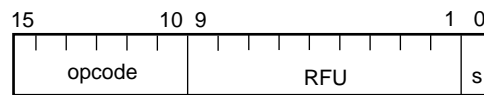
**(8) Three-register operand instruction format [FORMAT VIII]**

This instruction format has a six-bit operation code field, three general-purpose register designation fields, and a six-bit sub-operation code field, giving a total length of 32 bits.



**(9) No-operand instruction format [FORMAT IX]**

This instruction format has a six-bit operation code field and a one-bit sub-operation code field, giving a total length of 16 bits.



s : sub-opcode



### 15.2 Instructions (Listed Alphabetically)

The instructions are listed below in alphabetic order of their mnemonics.

Explanation of list format

Instruction	Operand(s)	Format	CY	OV	S	Z	Function
ADD	reg1, reg2	I	*	*	*	*	

Instruction mnemonic

Instruction format  
(See **Section 15.1.**)

Indicates how each flag changes.  
 - : Does not change.  
 \* : Changes.  
 0 : Becomes 0.  
 1 : Becomes 1.

Abbreviations of operands

Abbreviation	Meaning
reg1	General-purpose register (used as a source register)
reg2	General-purpose register (used mainly as a destination register, but in some instructions, used as a source register)
reg3	General-purpose register (used mainly as a destination register, but in some instructions, used as a source register)
imm $\times$	$\times$ bits of immediate data
disp $\times$	$\times$ -bit displacement
regID	System register number
vector adr	Trap handler address corresponding to trap vector

Instruction	Operand(s)	Format	CY	OV	S	Z	Function
ABC	disp9	III	–	–	–	–	High-speed conditional branch (if Carry) relative to PC.
ABE	disp9	III	–	–	–	–	High-speed conditional branch (if Equal) relative to PC.
ABGE	disp9	III	–	–	–	–	High-speed conditional branch (if Greater than or Equal) relative to PC.
ABGT	disp9	III	–	–	–	–	High-speed conditional branch (if Greater than) relative to PC.
ABH	disp9	III	–	–	–	–	High-speed conditional branch (if Higher) relative to PC.
ABL	disp9	III	–	–	–	–	High-speed conditional branch (if Lower) relative to PC.
ABLE	disp9	III	–	–	–	–	High-speed conditional branch (if Less than or Equal) relative to PC.
ABLT	disp9	III	–	–	–	–	High-speed conditional branch (if Less than) relative to PC.
ABN	disp9	III	–	–	–	–	High-speed conditional branch (if Negative) relative to PC.
ABNC	disp9	III	–	–	–	–	High-speed conditional branch (if Not Carry) relative to PC.
ABNE	disp9	III	–	–	–	–	High-speed conditional branch (if Not Equal) relative to PC.
ABNH	disp9	III	–	–	–	–	High-speed conditional branch (if Not Higher) relative to PC.
ABNL	disp9	III	–	–	–	–	High-speed conditional branch (if Not Lower) relative to PC.
ABNV	disp9	III	–	–	–	–	High-speed conditional branch (if Not Overflow) relative to PC.
ABNZ	disp9	III	–	–	–	–	High-speed conditional branch (if Not Zero) relative to PC.
ABP	disp9	III	–	–	–	–	High-speed conditional branch (if Positive) relative to PC.
ABR	disp9	III	–	–	–	–	High-speed unconditional branch (Always) relative to PC.
ABV	disp9	III	–	–	–	–	High-speed conditional branch (if Overflow) relative to PC.
ABZ	disp9	III	–	–	–	–	High-speed conditional branch (if Zero) relative to PC.
ADD	reg1, reg2	I	*	*	*	*	Addition. reg1 is added to reg2 and the sum is written into reg2.
	imm5, reg2	II	*	*	*	*	Addition. imm5, sign-extended to a word, is added to reg2 and the sum is written into reg2.
ADDI	imm16, reg1, reg2	V	*	*	*	*	Addition. imm16, sign-extended to a word, is added to reg1, and the sum is written into reg2.

Instruction	Operand(s)	Format	CY	OV	S	Z	Function
AND	reg1, reg2	I	–	0	*	*	AND. reg2 and reg1 are ANDed and the result is written into reg2.
ANDI	imm16, reg1, reg2	V	–	0	0	*	AND. reg1 is ANDed with imm16, zero-extended to a word, and result is written into reg2.
BC	disp9	III	–	–	–	–	Conditional branch (if Carry) relative to PC.
BDLD	[reg1], [reg2]	VII	–	–	–	–	Block transfer. 4 words of data are transferred from external memory to built-in data RAM.
BDST	[reg2], [reg1]	VII	–	–	–	–	Block transfer. 4 words of data are transferred from built-in data RAM to external memory.
BE	disp9	III	–	–	–	–	Conditional branch (if Equal) relative to PC.
BGE	disp9	III	–	–	–	–	Conditional branch (if Greater than or Equal) relative to PC.
BGT	disp9	III	–	–	–	–	Conditional branch (if Greater than) relative to PC.
BH	disp9	III	–	–	–	–	Conditional branch (if Higher) relative to PC.
BILD	[reg1], [reg2]	VII	–	–	–	–	Block transfer. 4 words of data are transferred from external memory to built-in instruction RAM.
BIST	[reg2], [reg1]	VII	–	–	–	–	Block transfer. 4 words of data are transferred from built-in instruction RAM to external memory.
BL	disp9	III	–	–	–	–	Conditional branch (if Lower) relative to PC.
BLE	disp9	III	–	–	–	–	Conditional branch (if Less than or Equal) relative to PC.
BLT	disp9	III	–	–	–	–	Conditional branch (if Less than) relative to PC.
BN	disp9	III	–	–	–	–	Conditional branch (if Negative) relative to PC.
BNC	disp9	III	–	–	–	–	Conditional branch (if Not Carry) relative to PC.
BNE	disp9	III	–	–	–	–	Conditional branch (if Not Equal) relative to PC.
BNH	disp9	III	–	–	–	–	Conditional branch (if Not Higher) relative to PC.
BNL	disp9	III	–	–	–	–	Conditional branch (if Not Lower) relative to PC.
BNV	disp9	III	–	–	–	–	Conditional branch (if Not Overflow) relative to PC.
BNZ	disp9	III	–	–	–	–	Conditional branch (if Not Zero) relative to PC.
BP	disp9	III	–	–	–	–	Conditional branch (if Positive) relative to PC.
BR	disp9	III	–	–	–	–	Unconditional branch (Always) relative to PC.
BRKRET		IX	–	–	–	–	Return from fatal exception handling.
BV	disp9	III	–	–	–	–	Conditional branch (if Overflow) relative to PC.
BZ	disp9	III	–	–	–	–	Conditional branch (if Zero) relative to PC.
CAXI	disp16[reg1], reg2	VI	*	*	*	*	Inter-processor synchronization in multi-processor system.

Instruction	Operand(s)	Format	CY	OV	S	Z	Function
CMP	reg1, reg2	I	*	*	*	*	Comparison. reg2 is compared with reg1 sign-extended to a word and the condition flag is set according to the result. The comparison involves subtracting reg1 from reg2.
	imm5, rag2	II	*	*	*	*	Comparison. reg2 is compared with imm5 sign-extended to a word and the condition flag is set according to the result. The comparison involves subtracting imm5, sign-extended to a word, from reg2.
DI		II	–	–	–	–	Disable interrupt. Maskable interrupts are disabled. DI instruction cannot disable nonmaskable interrupts.
DIV	reg1, reg2	I	–	*	*	*	Division of signed operands. reg2 is divided by reg1 (signed operands). The quotient is stored in reg2 and the remainder in r30. The division is performed so that the sign of the remainder will match that of the dividend.
DIVU	reg1, reg2	I	–	0	*	*	Division of unsigned operands. reg2 is divided by reg1 (unsigned operands). The quotient is stored in reg2 and the remainder in r30. The division is performed so that the sign of the remainder will match that of the dividend.
EI		II	–	–	–	–	Enable interrupt. Maskable interrupts are enabled. The EI instruction cannot enable nonmaskable interrupts.
HALT		IX	–	–	–	–	Processor halt. The processor is placed in sleep mode.
IN.B	disp16[reg1], reg2	VI	–	–	–	–	Port input. disp16, sign-extended to a word, is added to reg1 to produce an unsigned 32-bit port address. A byte of data is read from the resulting port address, zero-extended to a word, then stored in reg2.
IN.H	disp16[reg1], reg2	VI	–	–	–	–	Port input. disp16, sign-extended to a word, is added to reg1 to produce an unsigned 32-bit port address. A halfword of data is read from the produced port address, zero-extended to a word, and stored in reg2. Bit 0 of the unsigned 32-bit port address is masked to 0.
IN.W	disp16[reg1], reg2	VI	–	–	–	–	Port input. disp16, sign-extended to a word, is added to reg1 to produce an unsigned 32-bit port address. A word of data is read from the resulting port address, then written into reg2. Bits 0 and 1 of the unsigned 32-bit port address are masked to 0.

Instruction	Operand(s)	Format	CY	OV	S	Z	Function
JAL	disp26	IV	–	–	–	–	Jump and link. The sum of the current PC and 4 is written into r31. disp26, sign-extended to a word, is added to the PC and the sum is set to the PC for control transfer. Bit 0 of disp26 is masked.
JMP	[reg1]	I	–	–	–	–	Indirect unconditional branch via register. Control is passed to the address designated by reg1. Bit 0 of the address is masked to 0.
JR	disp26	IV	–	–	–	–	Unconditional branch. disp26, sign-extended to a word, is added to the current PC and control is passed to the address specified by that sum. Bit 0 of disp26 is masked to 0.
LD.B	disp16[reg1], reg2	VI	–	–	–	–	Byte load. disp16, sign-extended to a word, is added to reg1 to produce an unsigned 32-bit address. A byte of data is read from the produced address, sign-extended to a word, then written into reg2.
LD.H	disp16[reg1], reg2	VI	–	–	–	–	Halfword load. disp16, sign-extended to a word, is added to reg1 to produce an unsigned 32-bit address. A halfword of data is read from the produced address, sign-extended to a word, then written into reg2. Bit 0 of the unsigned 32-bit address is masked to 0.
LD.W	disp16[reg1], reg2	VI	–	–	–	–	Word load. disp16, sign-extended to a word, is added to reg1 to produce an unsigned 32-bit address. A word of data is read from the produced address, then written into reg2. Bits 0 and 1 of the unsigned 32-bit address are masked to 0.
LDSR	reg2, regID	II	*	*	*	*	Load into system register. The contents of reg2 are set in the system register identified by the system register number (regID).
MAC3	reg1, reg2, reg3	VIII	–	–	–	–	Saturatable operation on signed 32-bit operands. reg1 and reg2 are multiplied together as signed integers and the product is added to reg3.  [If no overflow has occurred:] The result is stored in reg3.  [If an overflow has occurred:] The SAT bit is set. If the result is positive, the positive maximum is written into reg3; if the result is negative, the negative maximum is written into reg3.

Instruction	Operand(s)	Format	CY	OV	S	Z	Function
MACI	imm16, reg1, reg2	V	–	–	–	–	Sum-of-products operation on signed 32-bit operands. reg1 and imm16, sign-extended to 32 bits, are multiplied together as signed integers and the product is added to reg2 as a signed integer.  [If no overflow has occurred:] The result is written into reg2.  [If an overflow has occurred:] The SAT bit is set. If the result is positive, the positive maximum is written into reg2; if the result is negative, the negative maximum is written into reg2.
MACT3	reg1, reg2, reg3	VIII	–	–	–	–	Saturatable operation on signed 32-bit operands. reg1 and reg2 are multiplied together as signed integers and the high-order 32 bits of the product are added to reg3 as signed integers.  [If no overflow has occurred:] The result is written into reg3.  [If an overflow has occurred:] The SAT bit is set. If the result is positive, the positive maximum is written into reg3; if the result is negative, the negative maximum is written into reg3.
MAX3	reg1, reg2, reg3	VIII	–	–	–	–	Maximum. reg2 and reg1 are compared as signed integers. The larger value is written into reg3.
MIN3	reg1, reg2, reg3	VIII	–	–	–	–	Minimum. reg2 and reg1 are compared as signed integers. The smaller value is written into reg3.
MOV	reg1, reg2,	I	–	–	–	–	Data transfer. reg1 is copied to reg2 for data transfer.
	imm5, reg2	II	–	–	–	–	Data transfer. imm5, sign-extended to a word, is copied into reg2 for data transfer.
MOVEA	imm16, reg1, reg2	V	–	–	–	–	Addition. The high-order 16 bits (imm16), sign-extended to a word, are added to reg1 and the sum is written into reg2.
MOVHI	imm16, reg1, reg2	V	–	–	–	–	Addition. A word consisting of the high-order 16 bits (imm16) and low-order 16 bits (0) is added to reg1 and the sum is written into reg2.
MUL	reg1, reg2	I	–	*	*	*	Multiplication of signed operands. reg2 and reg1 are multiplied together as signed values. The high-order 32 bits of the product (double word) are written into r30 and low-order 32 bits are written into reg2.
MUL3	reg1, reg2, reg3	VIII	–	–	–	–	Multiplication of signed 32-bit operands. reg2 and reg1 are multiplied together as signed integers. The high-order 32 bits of the product are written into reg3.

Instruction	Operand(s)	Format	CY	OV	S	Z	Function
MULI	imm16, reg1, reg2	V	–	–	–	–	Saturatable multiplication of signed 32-bit operands. reg1 and imm16, sign-extended to 32 bits, are multiplied together as signed integers.  [If no overflow has occurred:] The result is written into reg2.  [If an overflow has occurred:] The SAT bit is set. If the result is positive, the positive maximum is written into reg2; if the result is negative, the negative maximum is written into reg2.
MULT3	reg1, reg2, reg3	VIII	–	–	–	–	Saturatable multiplication of signed 32-bit operands. reg1 and reg2 are multiplied together as signed integers. The high-order 32 bits of the product are written into reg3.
MULU	reg1, reg2	I	–	*	*	*	Multiplication of unsigned operands. reg1 and reg2 are multiplied together as unsigned values. The high-order 32 bits of the product (double word) are written into r30 and the low-order 32 bits are written into reg2.
NOP		III	–	–	–	–	No operation.
NOT	reg1, reg2	I	–	0	*	*	NOT. The NOT (ones complement) of reg1 is taken and written into reg2.
OR	reg1, reg2	I	–	0	*	*	OR. The OR of reg2 and reg1 is taken and written into reg2.
ORI	imm16, reg1, reg2	V	–	0	*	*	OR. The OR of reg1 and imm16, zero-extended to a word, is taken and written into reg2.
OUT.B	reg2, disp16[reg1]	VI	–	–	–	–	Port output. disp16, sign-extended to a word, is added to reg1 to produce an unsigned 32-bit port address. The low-order one byte of the data in reg2 is output to the resulting port address.
OUT.H	reg2, disp16[reg1]	VI	–	–	–	–	Port output. disp16, sign-extended to a word, is added to reg1 to produce an unsigned 32-bit port address. The low-order two bytes of the data in reg2 are output to the resulting port address. Bit 0 of the unsigned 32-bit port address is masked to 0.
OUT.W	reg2, disp16[reg1]	VI	–	–	–	–	Port output. disp16, sign-extended to a word, is added to reg1 to produce an unsigned 32-bit port address. The word of data in reg2 is output to the produced port address. Bits 0 and 1 of the unsigned 32-bit port address are masked to 0.
RETI		IX	*	*	*	*	Return from trap/interrupt handling routine. The return PC and PSW are read from the system registers so that program execution will return from the trap or interrupt handling routine.

Instruction	Operand(s)	Format	CY	OV	S	Z	Function
SAR	reg1 ,reg2	I	*	0	*	*	Arithmetic right shift. reg2 is arithmetically shifted to the right by the displacement specified by the low-order five bits of reg1 (MSB value is copied to the MSB in sequence). The result is written into reg2.
	imm5, reg2	II	*	0	*	*	Arithmetic right shift. reg2 is arithmetically shifted to the right by the displacement specified by imm5, zero-extended to a word. The result is written into reg2.
SATADD3	reg1, reg2, reg3	VIII	*	*	*	*	Saturatable addition. reg1 and reg2 are added together as signed integers.  [If no overflow has occurred:] The result is written into reg3.  [If an overflow has occurred:] The SAT bit is set. If the result is positive, the positive maximum is written into reg3; if the result is negative, the negative maximum is written into reg3.
SATSUB3	reg1, reg2, reg3	VIII	*	*	*	*	Saturatable subtraction. reg1 is subtracted from reg2 as signed integers.  [If no overflow has occurred:] The result is written into reg3.  [If an overflow has occurred:] The SAT bit is set. If the result is positive, the positive maximum is written into reg3; if the result is negative, the negative maximum is written into reg3.
SETF	imm5, reg2	II	–	–	–	–	Set flag condition. reg2 is set to 1 if the condition specified by the low-order four bits of imm5 matches the condition flag; otherwise it is set to 0.
SHL	reg1, reg2	I	*	0	*	*	Logical left shift. reg2 is logically shifted to the left (0 is put on the LSB) by the displacement specified by the low-order five bits of reg1. The result is written into reg2.
	imm5, reg2	II	*	0	*	*	Logical left shift. reg2 is logically shifted to the left by the displacement specified by imm5, zero-extended to a word. The result is written into reg2.
SHLD3	reg1, reg2, reg3	VIII	–	–	–	–	Left shift of concatenation. The 64 bits consisting of reg3 (high order) and reg2 (low order) are logically shifted to the left by the displacement specified by the low-order five bits of reg1. The high-order 32 bits of the result are written into reg3.



Instruction	Operand(s)	Format	CY	OV	S	Z	Function
SHR	reg1, reg2	I	*	0	*	*	Logical right shift. reg2 is logically shifted to the right by the displacement specified by the low-order five bits of reg1 (0 is put on the MSB). The result is written into reg2.
	imm5, reg2	II	*	0	*	*	Logical right shift. reg2 is logically shifted to the right by the displacement specified by imm5, zero-extended to a word. The result is written into reg2.
SHRD3	reg1, reg2, reg3	VIII	-	-	-	-	Right shift of concatenation. The 64 bits consisting of reg3 (high order) and reg2 (low order) are logically shifted to the right by the displacement specified by the low-order five bits of reg1. The low-order 32 bits of the result are written into reg3.
ST.B	reg2, disp16[reg1]	VI	-	-	-	-	Byte store. disp16, sign-extended to a word, is added to reg1 to produce an unsigned 32-bit address. The low-order one byte of data in reg2 is stored at the resulting address.
ST.H	reg2, disp16[reg1]	VI	-	-	-	-	Halfword store. disp16, sign-extended to a word, is added to reg1 to produce an unsigned 32-bit address. The low-order two bytes of the data in reg2 are stored at the resulting address. Bit 0 of the unsigned 32-bit address is masked to 0.
ST.W	reg2, disp16[reg1]	VI	-	-	-	-	Word store. disp16, sign-extended to a word, is added to reg1 to produce an unsigned 32-bit address. The word of data in reg2 is stored at the resulting address. Bits 0 and 1 of the unsigned 32-bit address are masked to 0.
STBY		IX	-	-	-	-	Processor stop. The processor is placed in stop mode.
STSR	regID, reg2	II	-	-	-	-	System register store. The contents of the system register identified by the system register number (regID) are set in reg2.
SUB	reg1, reg2	I	*	*	*	*	Subtraction. reg1 is subtracted from reg2. The difference is written into reg2.
TRAP	vector	II	-	-	-	-	Software trap. The return PC and PSW are saved in the system registers: PSW.EP = 1 → Save in FEPC, FEPSW PSW.EP = 0 → Save in EIPC, EIPSW The exception code is set in the ECR: PSW.EP = 1 → Set in FECC PSW.EP = 0 → Set in EICC PSW flags are set: PSW.EP = 1 → Set NP and ID PSW.EP = 0 → Set EP and ID Program execution jumps to the trap handler address corresponding to the trap vector (0-31) specified by vector and begins exception handling.

Instruction	Operand(s)	Format	CY	OV	S	Z	Function
XOR	reg1,reg2	I	–	0	*	*	Exclusive OR. The exclusive OR of reg2 and reg1 is taken and written into reg2.
XORI	imm16, reg1,reg2	V	–	0	*	*	Exclusive OR. The exclusive OR of reg1 and imm16, zero-extended to a word, is taken and written into reg2.

16. ELECTRICAL SPECIFICATIONS

ABSOLUTE MAXIMUM RATINGS (T<sub>A</sub> = 25°C)

Parameter	Symbol	Conditions	Rating	Unit
Power supply voltage	V <sub>DD</sub>		-0.5 to +4.5	V
Input voltage	V <sub>I</sub>		-0.5 to V <sub>DD</sub> + 0.3	V
Clock input voltage	V <sub>K</sub>		-0.5 to V <sub>DD</sub> + 0.3	V
Operating ambient temperature	V <sub>A</sub>		-40 to +85	°C
Storage temperature	T <sub>stg</sub>		-65 to +150	°C

**Cautions 1. Do not connect an output (or input/output) pin of an IC device directly to any other output (or input/output) pin of the same device. Do not connect the V<sub>DD</sub> or V<sub>CC</sub> pin of an IC device directly to its GND pin or a ground. Note, however, that these restrictions do not apply to the high-impedance pins of an external circuit, whose timing has been specifically designed to avoid output collision.**

**2. Absolute maximum ratings are rated values, beyond which physical damage may be caused to the product; if the rated value of any of the parameters in the above table is exceeded even momentarily, the quality of the product may deteriorate. Always use the product within its rated values, therefore. For IC products, normal operation and quality are guaranteed only when the ratings and conditions described under the DC and AC characteristics are satisfied.**

DC CHARACTERISTICS (T<sub>A</sub> = -40 to +85°C, V<sub>DD</sub> = 3.0 to 3.6 V)

Parameter	Symbol	Conditions	MIN.	TYP.	MAX.	Unit
Low-level clock input voltage	V <sub>KL</sub>	<b>Note 1</b>	-0.5		+0.2 V <sub>DD</sub>	V
High-level clock input voltage	V <sub>KH</sub>	<b>Note 1</b>	0.8 V <sub>DD</sub>		V <sub>DD</sub> + 0.3	V
Low-level input voltage	V <sub>IL</sub>		-0.5		+0.6	V
High-level input voltage	V <sub>IH</sub>		2.0		V <sub>DD</sub> + 0.3	V
Low-level shmitt input voltage	V <sub>SL</sub>	<b>Note 2</b>	-0.5		+0.2 V <sub>DD</sub>	V
High-level shmitt input voltage	V <sub>SH</sub>	<b>Note 2</b>	0.8 V <sub>DD</sub>		V <sub>DD</sub> + 0.3	V
Low-level output voltage	V <sub>OL</sub>	I <sub>OL</sub> = 3.2 mA			0.4	V
High-level output voltage	V <sub>OH</sub>	I <sub>OH</sub> = -400 μA	0.85 V <sub>DD</sub>			V
Low-level input leakage current	I <sub>LIL</sub>	V <sub>I</sub> = 0 V			-10	μA
High-level input leakage current	I <sub>LIH</sub>	V <sub>IN</sub> = V <sub>DD</sub>			10	μA
Low-level output leakage current	I <sub>LOL</sub>	V <sub>O</sub> = 0 V			-10	μA
High-level output leakage current	I <sub>LOH</sub>	V <sub>O</sub> = V <sub>DD</sub>			10	μA
Supply current <b>Note 3</b>	I <sub>DD</sub>	When operating		167	230	mA
		At HALT mode		45	60	mA
		At STOP mode <b>Note 4</b>		36	180	μA

- Notes 1.** X2 pin and  $\overline{\text{SCLK}}$  pin at external clock input
- 2.** PORT0/ $\overline{\text{SCLK}}$ , PORT2/SI, RXD
- 3.** Supply current at f = 33 MHz, when output pins are open.
- 4.** External clock mode when clock input is stopped.

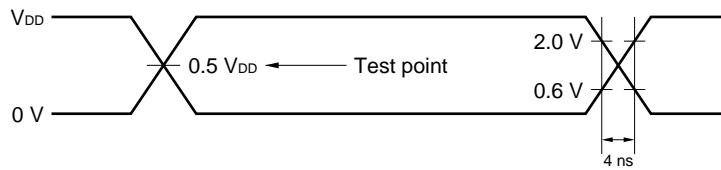
**CAPACITANCE** ( $T_A = -40$  to  $+85^\circ\text{C}$ ,  $V_{DD} = 3.0$  to  $3.6$  V)

Parameter	Symbol	Conditions	MIN.	MAX.	Unit
Input capacitance	$C_i$	$f_c = 1$ MHz		15	pF
I/O capacitance	$C_{iO}$			15	pF

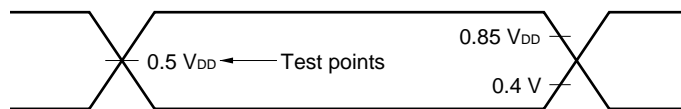
**Remark** These parameters are sample values, not the value actually measured.

**AC CHARACTERISTICS** ( $T_A = -40$  to  $+85^\circ\text{C}$ ,  $V_{DD} = 3.0$  to  $3.6$  V)

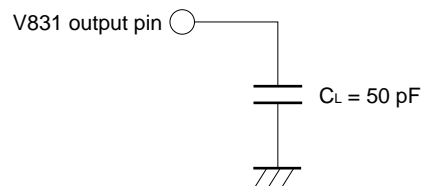
**AC test input waveform**



**AC test output waveform**

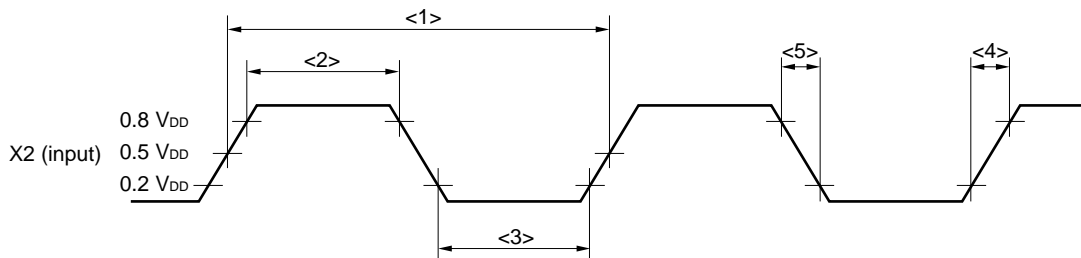


**Test load**



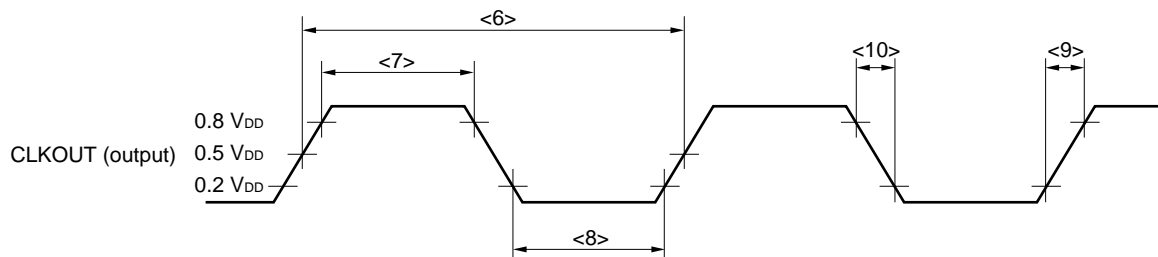
(1) Clock input (X2) timing (when external clock used)

Parameter	Symbol	Conditions	MIN.	MAX.	Unit
External clock cycle	<1> $t_{CYX}$	Stability of input clock is 0.1% or less $t_{CYX}$	30	60	ns
External clock high-level time	<2> $t_{XHH}$		10		ns
External clock low-level time	<3> $t_{XHL}$		10		ns
External clock rise time	<4> $t_{XR}$			5	ns
External clock fall time	<5> $t_{XF}$			5	ns



(2) Clock output timing (CLKOUT)

Parameter	Symbol	Conditions	MIN.	MAX.	Unit
External clock cycle	<6> $t_{CYK}$		30	60	ns
External clock high-level time	<7> $t_{KHH}$		$t_{CYK}/2 - 4$		ns
External clock low-level time	<8> $t_{KHL}$		$t_{CYK}/2 - 4$		ns
External clock rise time	<9> $t_{KR}$			4	ns
External clock fall time	<10> $t_{KF}$			4	ns

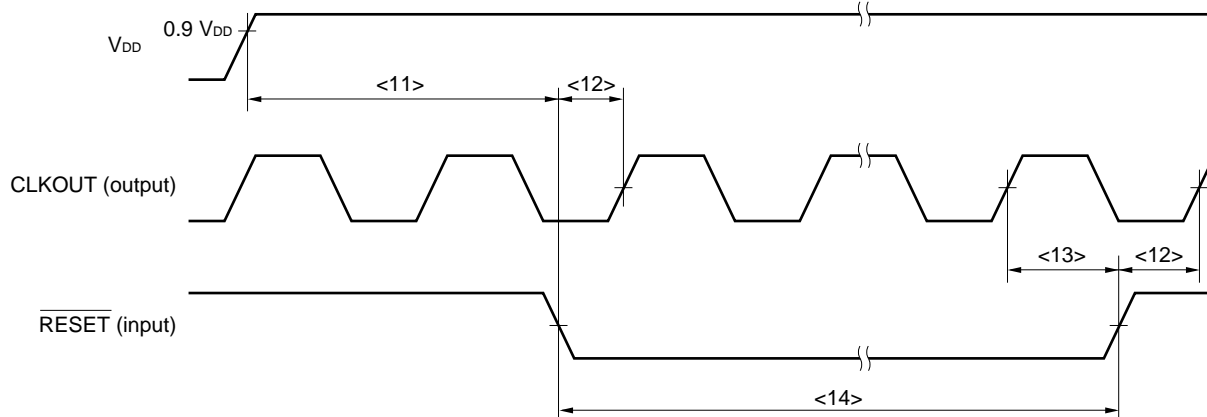


(3) Reset timing

Parameter	Symbol	Conditions	MIN.	MAX.	Unit
RESET hold time (vs. V <sub>DD</sub> VALID)	<11> t <sub>HVR</sub>			2	μs
RESET setup time (vs. BCLK↑)	<12> t <sub>SRK</sub>		7		ns
RESET hold time (vs. BCLK↑)	<13> T <sub>HKR</sub>		7		ns
RESET pulse low-level width	<14> t <sub>WRL</sub>	<b>Note 1</b>	20		ms
		<b>Note 2</b>	10		ms
		<b>Note 3</b>	25		t <sub>cyk</sub>

- Notes**
1. At power application or when returned from STOP mode, and the internal clock is generated.
  2. At power application or when returned from STOP mode, and the internal clock is generated, after clock has stabilized.
  3. When clock has stabilized under conditions other than Notes 1 and 2.

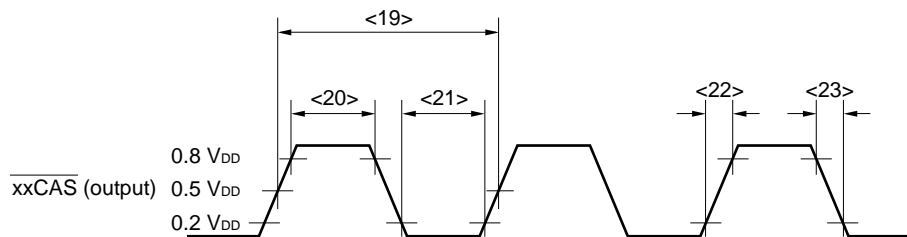
**Remark** It is not necessary to satisfy t<sub>SRK</sub> and t<sub>HKR</sub> if reset during the period of t<sub>HVR</sub>. In such a case, however, the reset acknowledge timing may be shifted.



(4) DRAM access timing

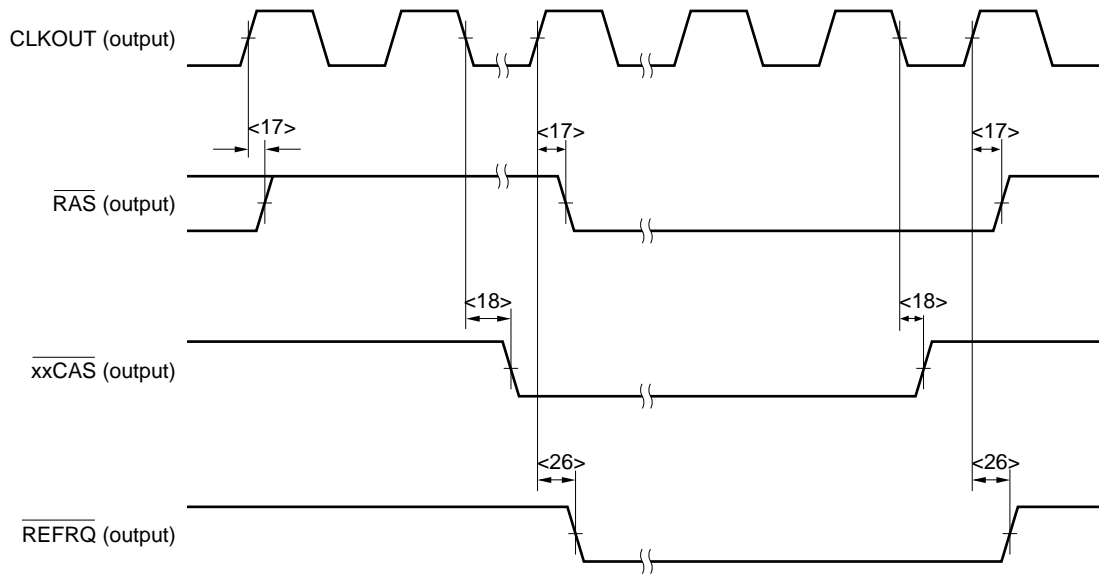
Parameter	Symbol	Conditions	MIN.	MAX.	Unit
$\overline{\text{BCYST}}$ delay time (vs. CLKOUT↑)	<15>	t <sub>DKBC</sub>	2	10	ns
Address delay time (vs. CLKOUT↑)	<16>	t <sub>DKA</sub>	2	9	ns
$\overline{\text{RAS}}$ delay time (vs. CLKOUT↑)	<17>	t <sub>DKRAS</sub>	1	6	ns
$\overline{\text{CAS}}$ delay time (vs. CLKOUT↓)	<18>	t <sub>DKCAS</sub>	1	6	ns
$\overline{\text{CAS}}$ signal interval	<19>	t <sub>CYC</sub>	26		ns
$\overline{\text{CAS}}$ high-level time	<20>	t <sub>CCH</sub>	11		ns
$\overline{\text{CAS}}$ low-level time	<21>	t <sub>CCL</sub>	11		ns
$\overline{\text{CAS}}$ rise time	<22>	t <sub>CR</sub>		4	ns
$\overline{\text{CAS}}$ fall time	<23>	t <sub>CF</sub>		4	ns
$\overline{\text{WE}}$ delay time (vs. CLKOUT↑)	<24>	t <sub>DKWE</sub>	2	10	ns
$\overline{\text{OE}}$ delay time (vs. CLKOUT↑)	<25>	t <sub>DKOE</sub>	2	10	ns
$\overline{\text{REFRQ}}$ delay time (vs. CLKOUT↑)	<26>	t <sub>DKREF</sub>	2	10	ns
Data input setup time (DRAM read) (vs. CLKOUT↓)	<27>	t <sub>SDRMK</sub>	0		ns
Data input hold time (DRAM read) (vs. CLKOUT↓)	<28>	t <sub>HKDRM</sub>	5		ns
Data output delay time (from active, vs. CLKOUT↑)	<29>	t <sub>DKDT</sub>	2	10	ns
Data output delay time (from float, vs. CLKOUT↑)	<30>	t <sub>LZKDT</sub>	2	10	ns
Data float delay time (vs. CLKOUT↑)	<31>	t <sub>HZKDT</sub>	3	20	ns

(a)  $\overline{\text{xxCAS}}$  signal



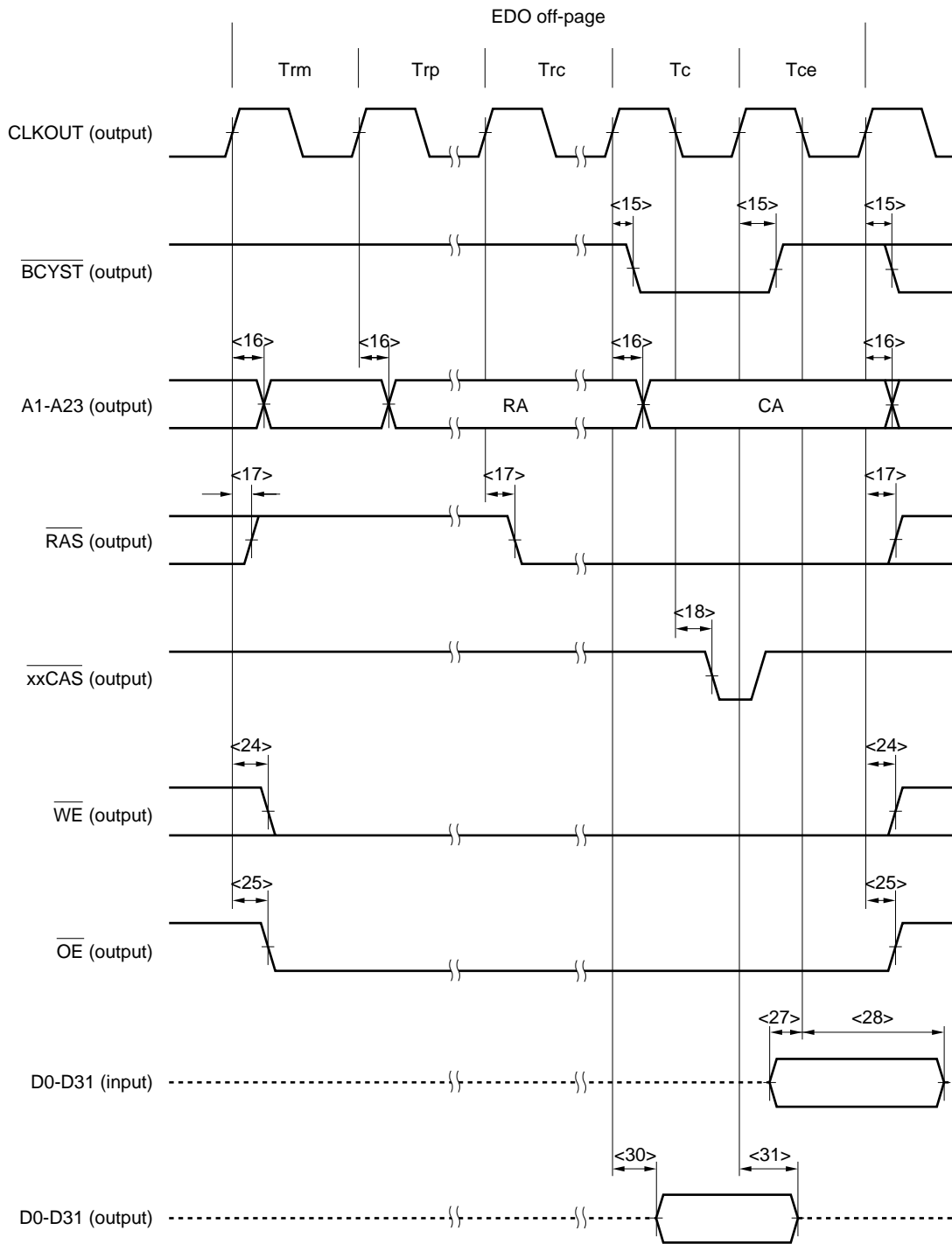
Remark  $\overline{\text{xxCAS}}$  :  $\overline{\text{UUCAS}}$ ,  $\overline{\text{ULCAS}}$ ,  $\overline{\text{LUCAS}}$ ,  $\overline{\text{LLCAS}}$

(b) CBR refresh, CBR self refresh timing



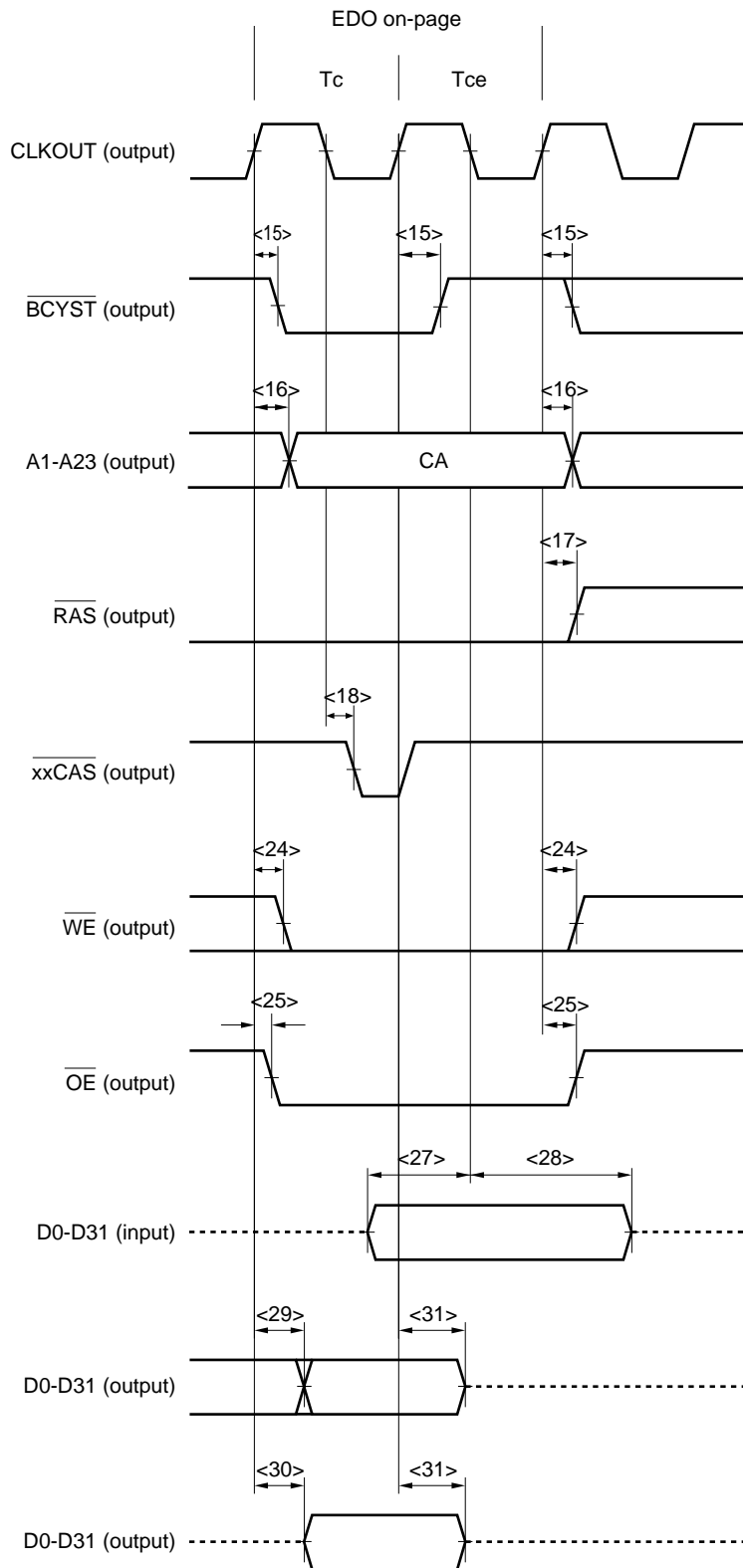


(c) DRAM single 1-clock  $\overline{\text{CAS}}$  off-page cycle (32-bit data bus)



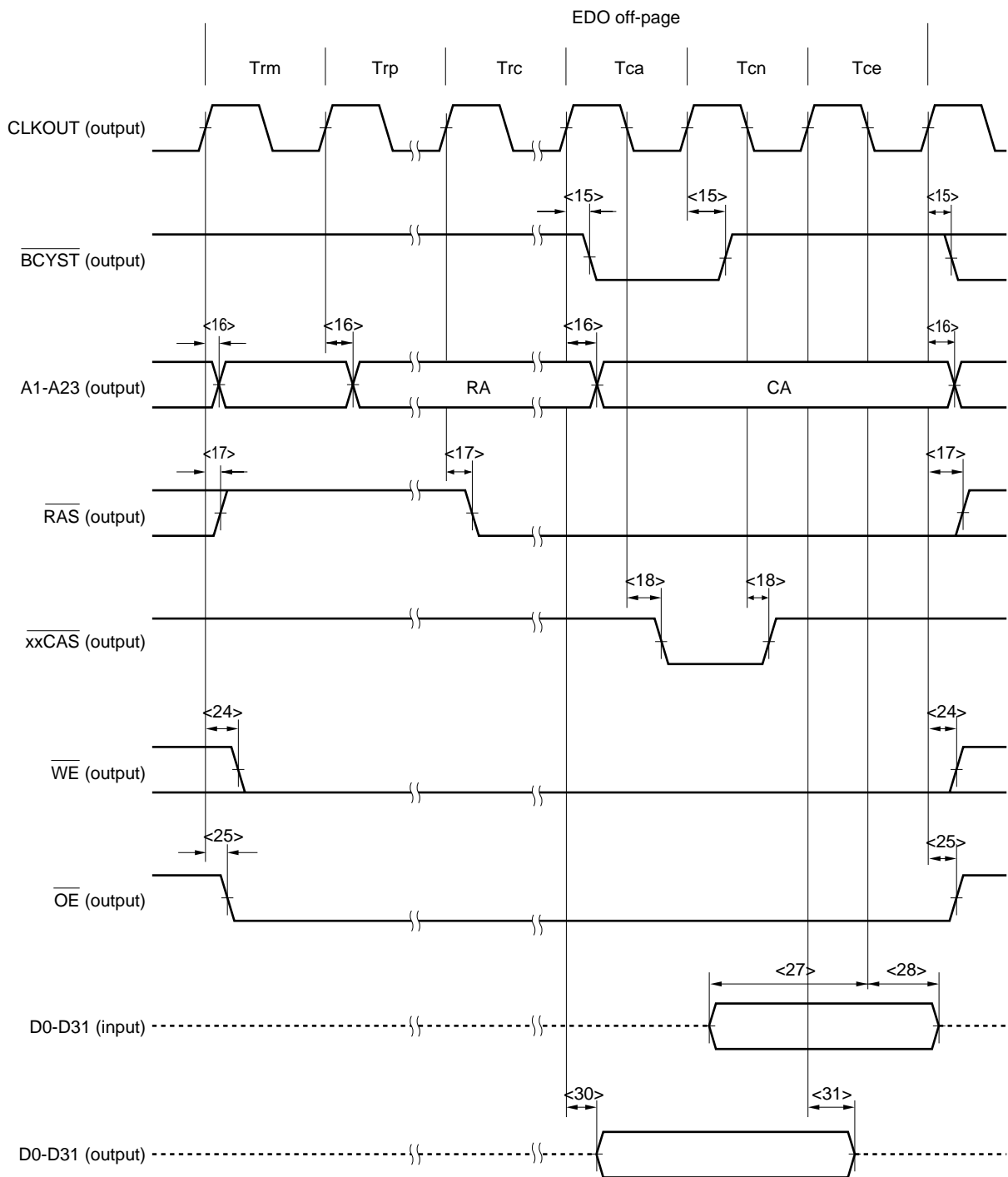
**Remark** The dotted lines indicate high impedance.

(d) DRAM single 1-clock  $\overline{\text{CAS}}$  on-page cycle (32-bit data bus)



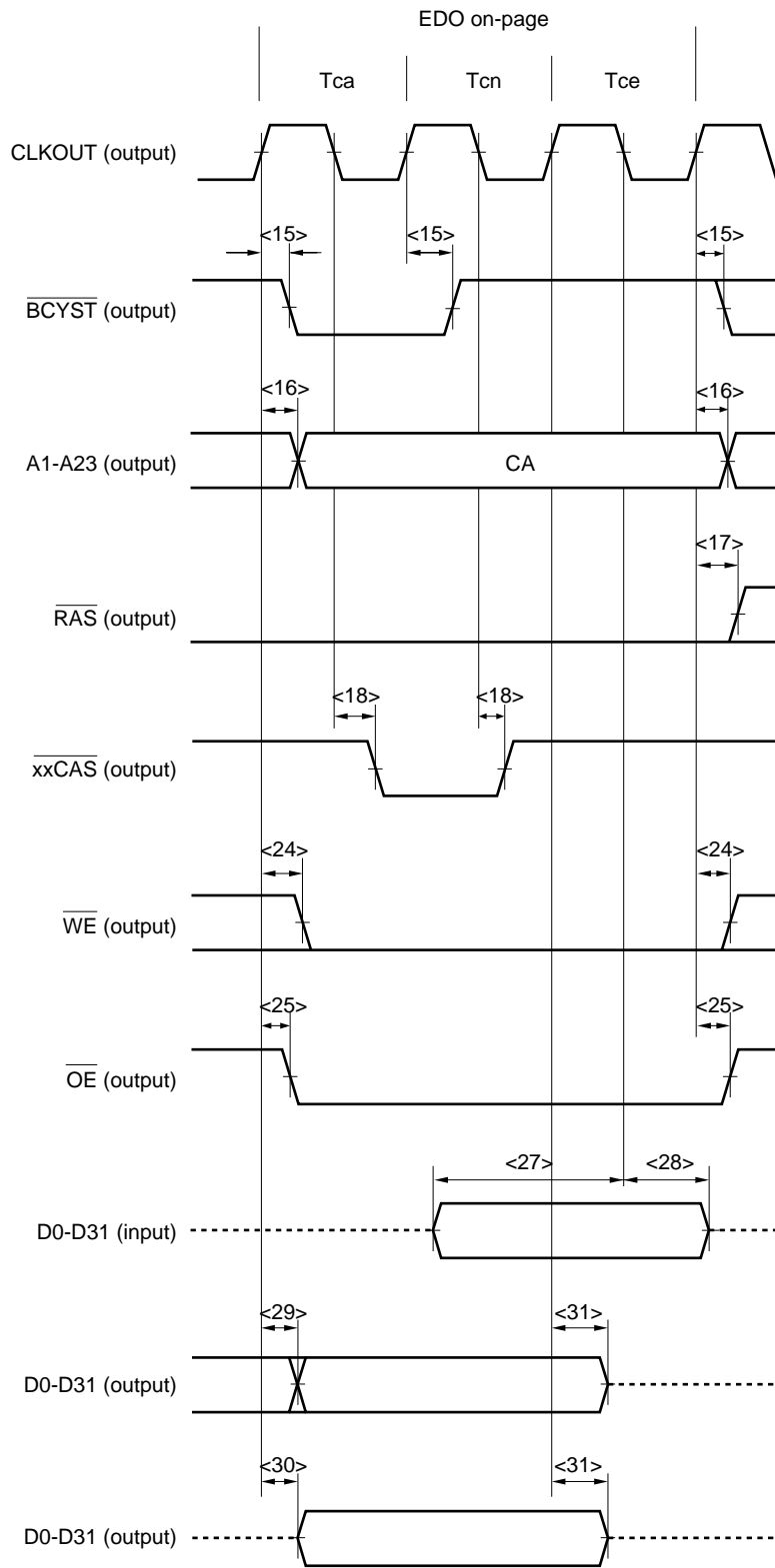
**Remark** The dotted lines indicate high impedance.

(e) DRAM single 2-clock  $\overline{\text{CAS}}$  off-page cycle (32-bit data bus)



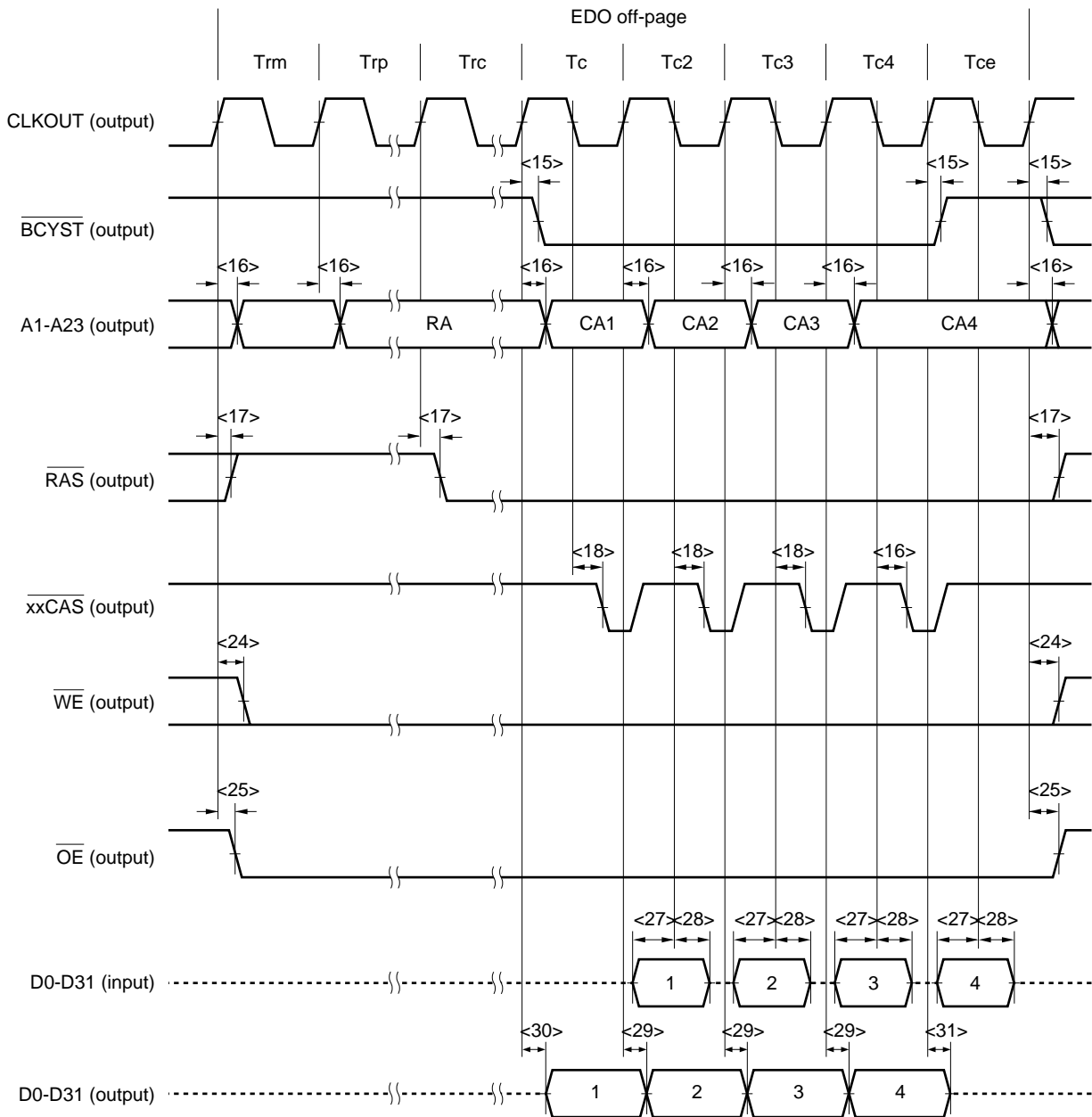
**Remark** The dotted lines indicate high impedance.

(f) DRAM single 2-clock  $\overline{\text{CAS}}$  on-page cycle (32-bit data bus)



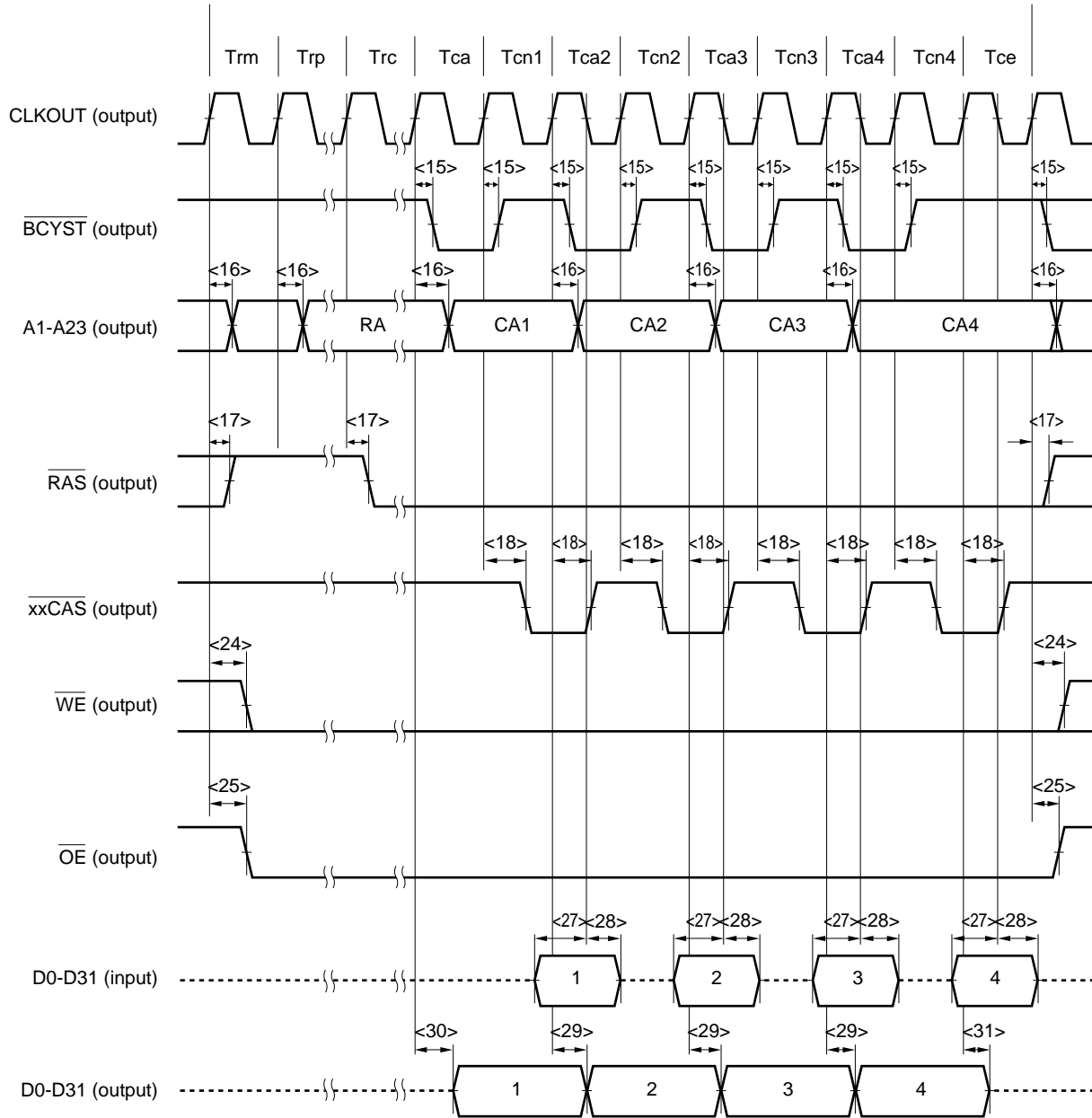
**Remark** The dotted lines indicate high impedance.

(g) DRAM burst 1-clock  $\overline{\text{CAS}}$  off-page cycle (32-bit data bus)



**Remark** The dotted lines indicate high impedance.

(h) DRAM burst 2-clock  $\overline{\text{CAS}}$  off-page cycle (32-bit data bus)

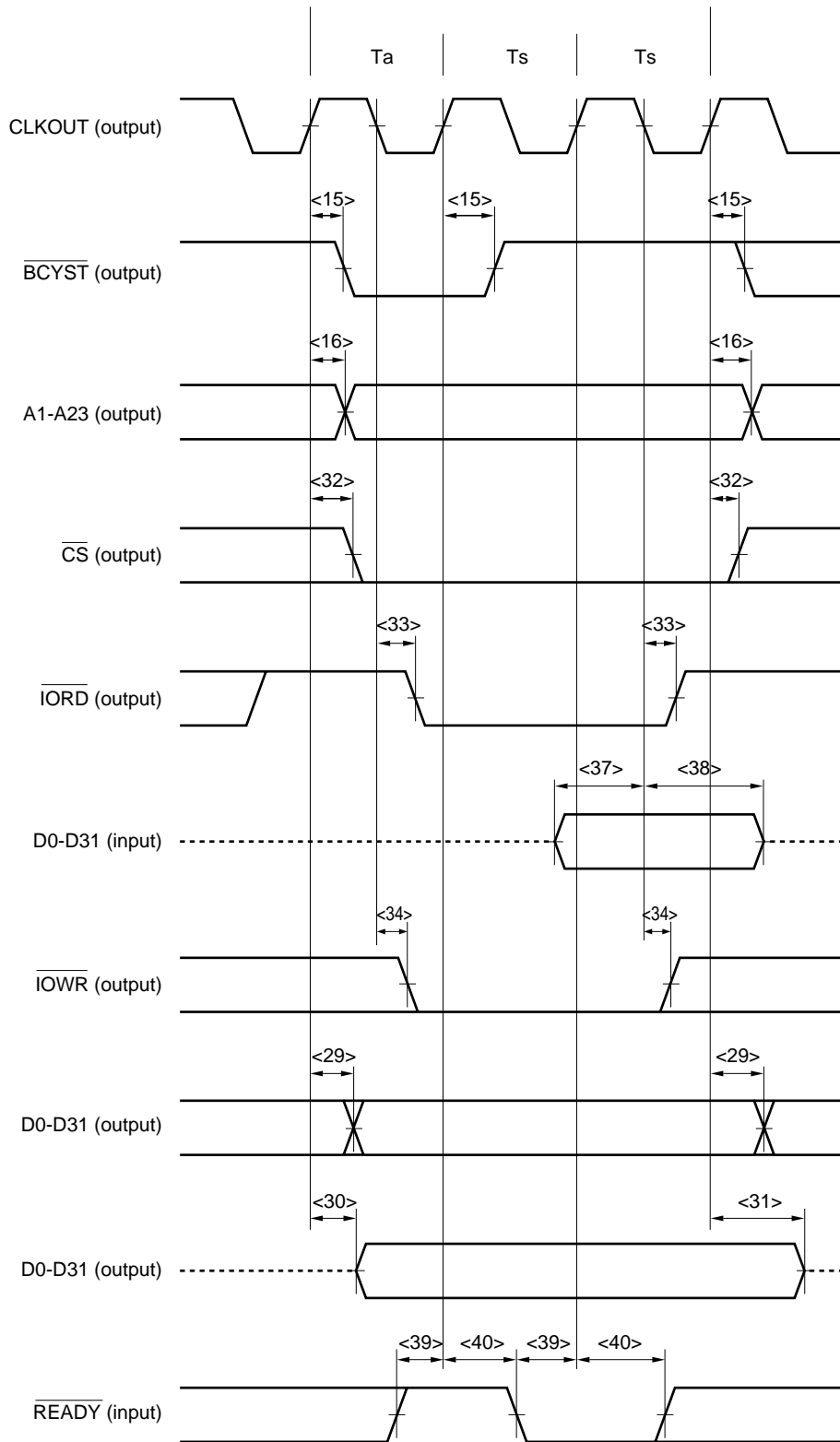


**Remark** The dotted lines indicate high impedance.

(5) SRAM (ROM), Page-ROM, I/O access timing

Parameter	Symbol	Conditions	MIN.	MAX.	Unit
$\overline{\text{BCYST}}$ delay time (vs. CLKOUT↑)	<15> t <sub>DKBC</sub>		2	10	ns
Address delay time (vs. CLKOUT↑)	<16> t <sub>DKA</sub>		2	9	ns
Data output delay time (from active, vs. CLKOUT↑)	<29> t <sub>DKDT</sub>		2	10	ns
Data output delay time (from float, vs. CLKOUT↑)	<30> t <sub>LZKDT</sub>		2	10	ns
Data float delay time (vs. CLKOUT↑)	<31> t <sub>HZKDT</sub>		3	20	ns
$\overline{\text{CS}}$ delay time (vs. CLKOUT↑)	<32> t <sub>DKCS</sub>		2	10	ns
$\overline{\text{IORD}}$ output delay time (vs. CLKOUT↓)	<33> t <sub>DKRD</sub>		2	10	ns
$\overline{\text{IOWR}}$ output delay time (vs. CLKOUT↓)	<34> t <sub>DKWR</sub>		2	10	ns
$\overline{\text{MRD}}$ output delay time (vs. CLKOUT↓)	<35> t <sub>DKMRD</sub>		2	10	ns
$\overline{\text{xxMWR}}$ delay time (vs. CLKOUT↓)	<36> t <sub>DKMWR</sub>		2	10	ns
Data input setup time (vs. CLKOUT↓)	<37> t <sub>SDTK</sub>		4		ns
Data input hold time (vs. CLKOUT↓)	<38> t <sub>HKDT</sub>		1		ns
$\overline{\text{READY}}$ setup time (vs. CLKOUT↑)	<39> t <sub>SRYK</sub>		7		ns
$\overline{\text{READY}}$ hold time (vs. CLKOUT↑)	<40> t <sub>HKRY</sub>		3		ns

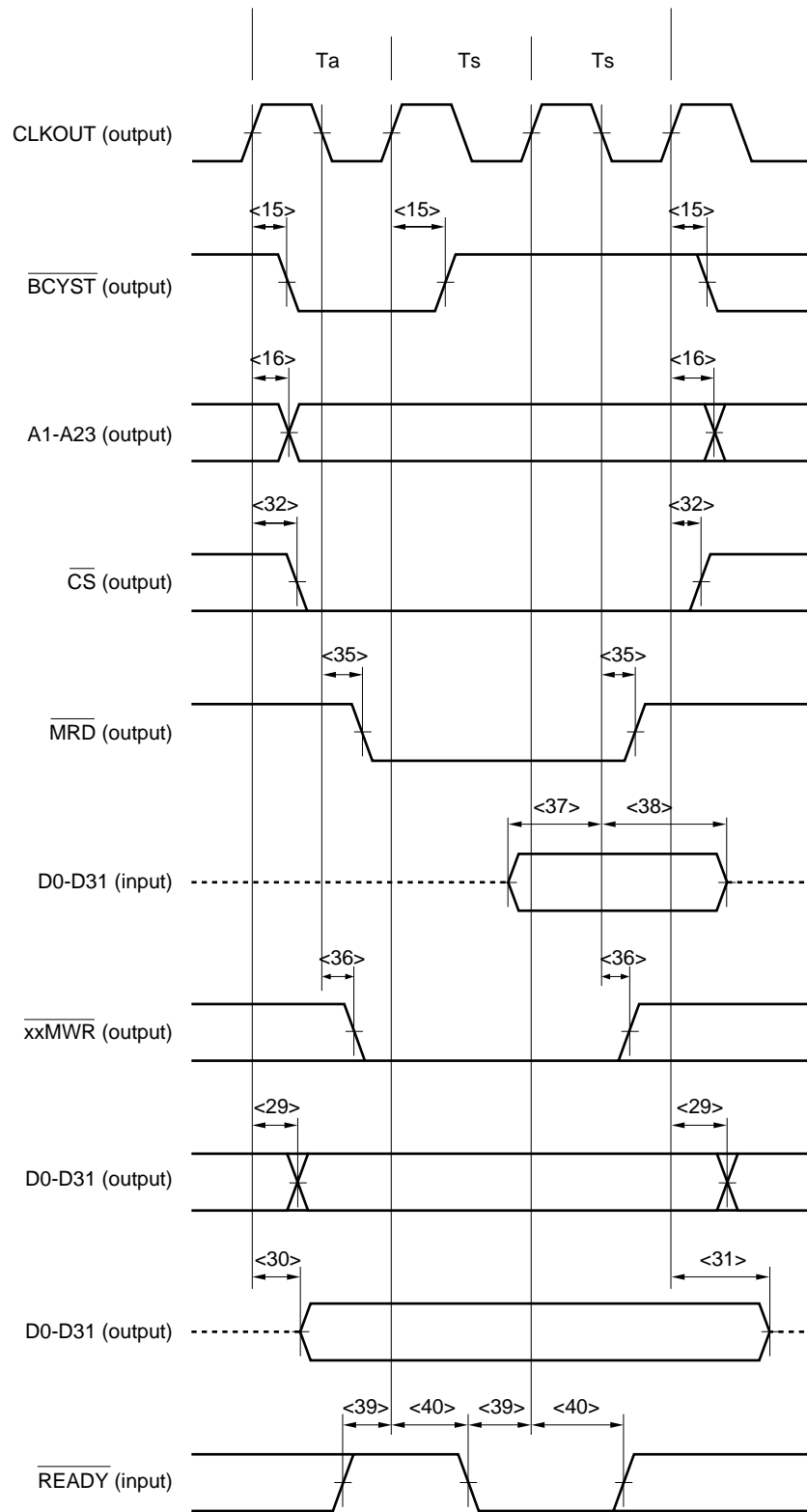
(a) I/O access timing



**Remark** The dotted lines indicate high impedance.

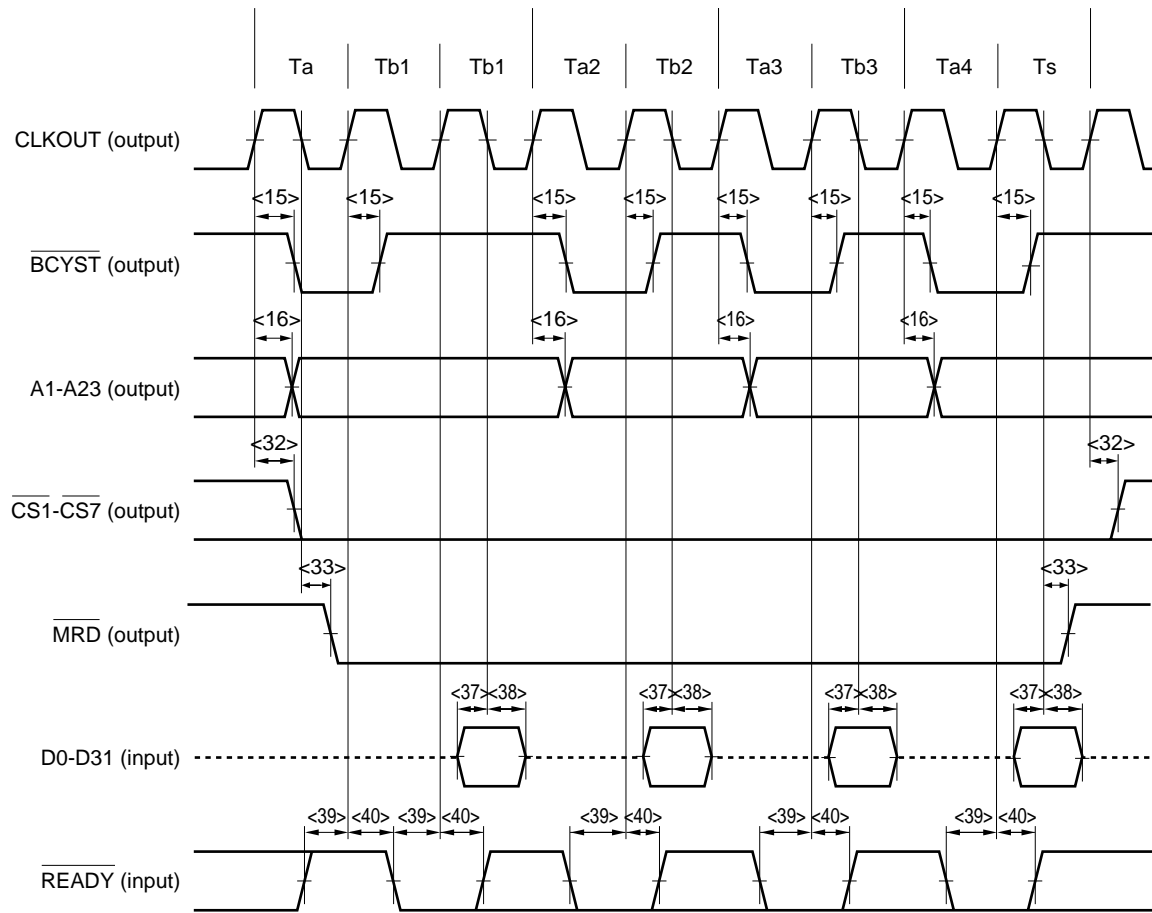


(b) SRAM (ROM)/Page-ROM single cycle



**Remark** The dotted lines indicate high impedance.

(c) Page-ROM burst cycle (32-bit data bus)

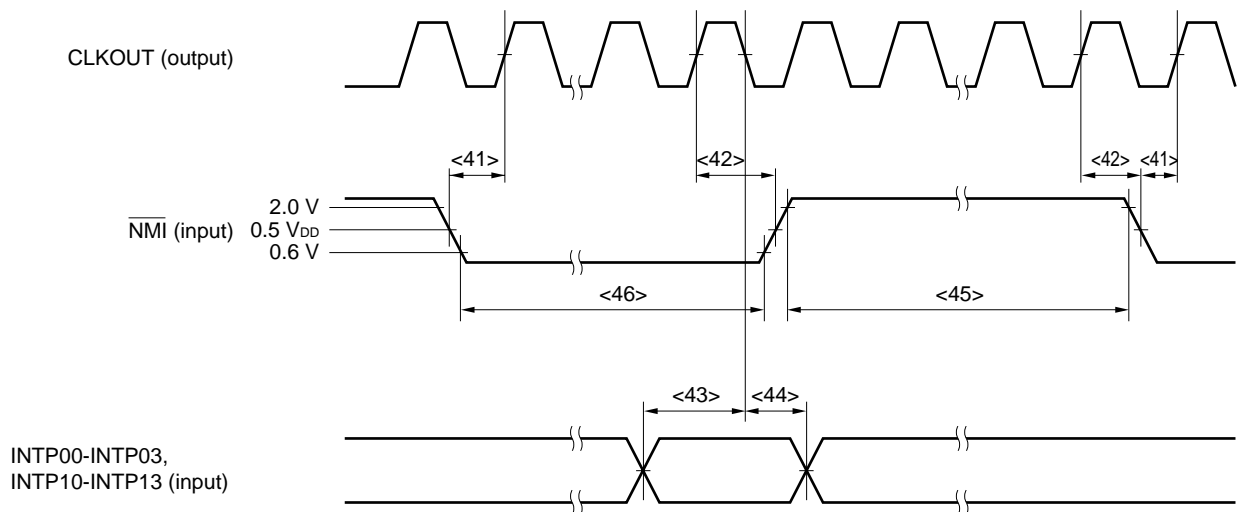


**Remark** The dotted lines indicate high impedance.

(6) Interrupt timing

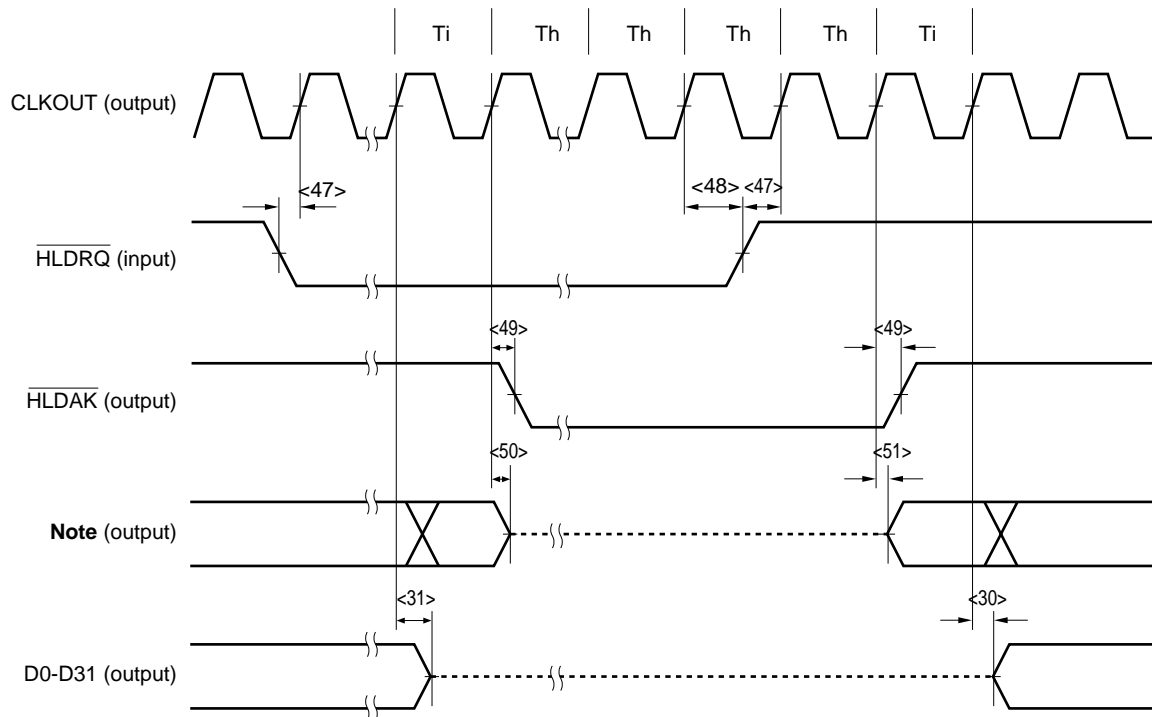
Parameter	Symbol	Conditions	MIN.	MAX.	Unit
$\overline{\text{NMI}}$ setup time (vs. CLKOUT↑)	<41> $t_{\text{SNK}}$		5		ns
$\overline{\text{NMI}}$ hold time (vs. CLKOUT↑)	<42> $t_{\text{HKN}}$		7		ns
INTPxx setup time (vs. CLKOUT↓)	<43> $t_{\text{SIK}}$		7		ns
INTPxx hold time (vs. CLKOUT↓)	<44> $t_{\text{HKI}}$		3		ns
$\overline{\text{NMI}}$ clock high-level time	<45> $t_{\text{NMH}}$		5T+12		ns
$\overline{\text{NMI}}$ clock low-level time	<46> $t_{\text{NML}}$		5T+12		ns

**Remark** T =  $t_{\text{CYK}}$  (external clock cycle)



(7) Bus hold timing

Parameter	Symbol	Conditions	MIN.	MAX.	Unit
Data active delay time (vs. CLKOUT↑)	<30> tLZKDT		2	10	ns
Data float delay time (vs. CLKOUT↑)	<31> tHZKDT		3	20	ns
HLD $\overline{\text{RQ}}$ input setup time (vs. CLKOUT↑)	<47> tSHQK		7		ns
HLD $\overline{\text{RQ}}$ hold time (vs. CLKOUT↑)	<48> tHKHQ		3		ns
HLD $\overline{\text{AK}}$ output delay time	<49> tDKHA		2	10	ns
Address float delay time (vs. CLKOUT↑)	<50> tHZKA		3	20	ns
Address active delay time (vs. CLKOUT↑)	<51> tLZKA		2	10	ns

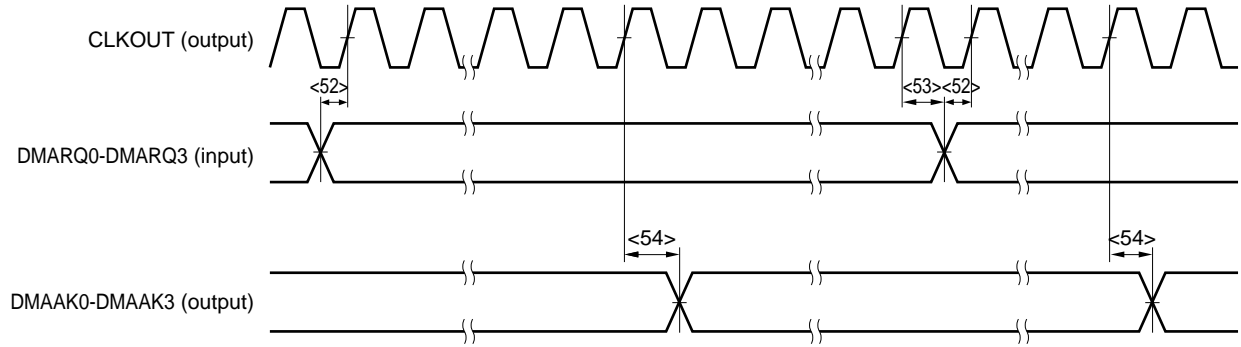


**Note**  $\overline{\text{BCYST}}$ ,  $\overline{\text{WE}}$ ,  $\overline{\text{OE}}$ , A1-A23,  $\overline{\text{CS1-CS7}}$ ,  $\overline{\text{RAS}}$ ,  $\overline{\text{xxCAS}}$ ,  $\overline{\text{MRD}}$ ,  $\overline{\text{IORD}}$ ,  $\overline{\text{xxMWR}}$ ,  $\overline{\text{IOWR}}$

**Remark** The dotted lines indicate high impedance.

(8) DMA timing

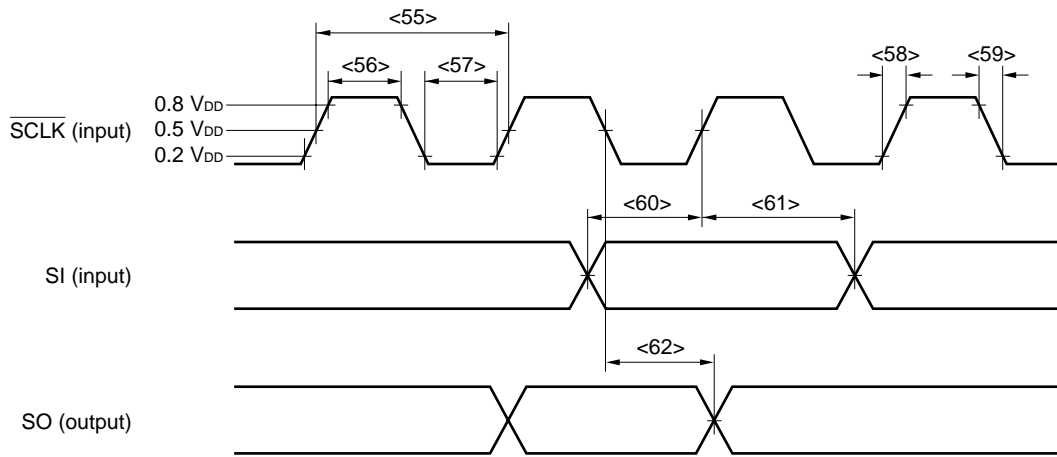
Parameter	Symbol	Conditions	MIN.	MAX.	Unit
DMARQ input setup time (vs. CLKOUT↑)	<52> $t_{SDQK}$		7		ns
DMARQ hold time (vs. CLKOUT↑)	<53> $t_{HKDQ}$		3		ns
DMAAK output delay time	<54> $t_{DKDAK}$		2	10	ns



(9) CSI timing

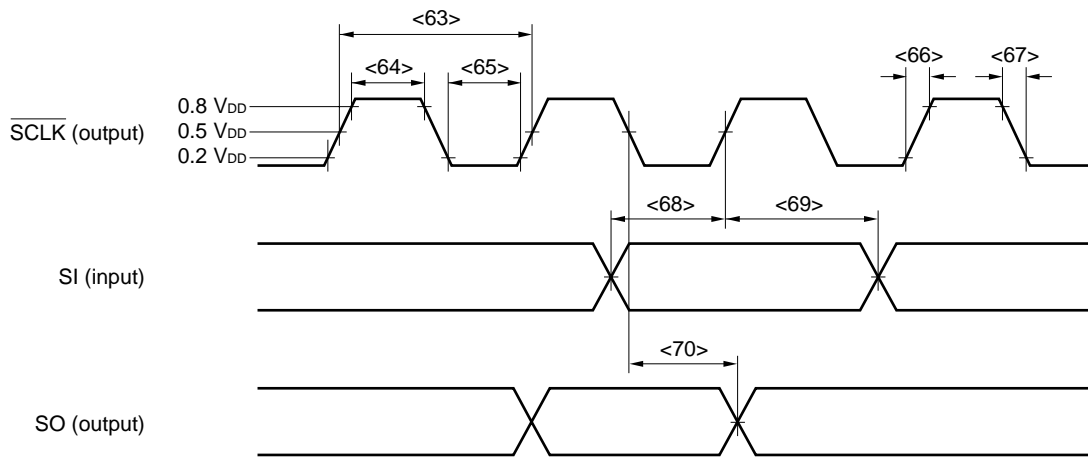
(a) SCLK input mode

Parameter	Symbol	Conditions	MIN.	MAX.	Unit
SCLK cycle	<55> $t_{cYSl}$		120		ns
SCLK high-level time	<56> $t_{SlH}$		50		ns
SCLK low-level time	<57> $t_{SlL}$		50		ns
SCLK rise time	<58> $t_{SlR}$			10	ns
SCLK fall time	<59> $t_{SlF}$			10	ns
SI input setup time (vs. SCLK↑)	<60> $t_{SDTS}$		30		ns
SI input hold time (vs. SCLK↑)	<61> $t_{HSDT}$		30		ns
SO output delay time (vs. SCLK↓)	<62> $t_{DSDT}$		2	30	ns



(b)  $\overline{\text{SCLK}}$  output mode

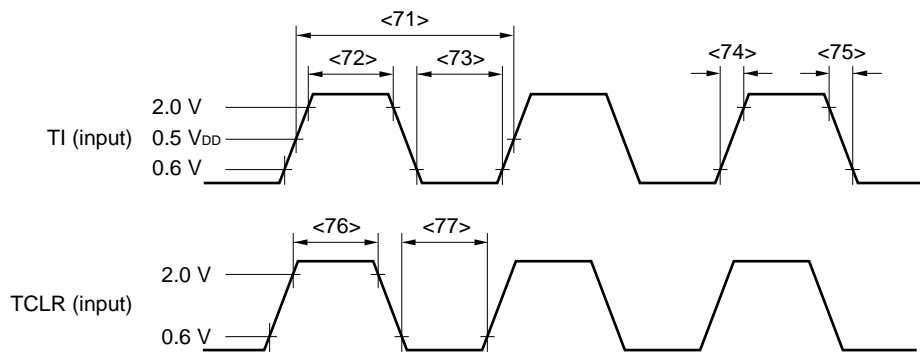
Parameter	Symbol	Conditions	MIN.	MAX.	Unit
$\overline{\text{SCLK}}$ cycle	<63> $t_{\text{CYSO}}$		120		ns
$\overline{\text{SCLK}}$ high-level time	<64> $t_{\text{SOH}}$		50		ns
$\overline{\text{SCLK}}$ low-level time	<65> $t_{\text{SOL}}$		50		ns
$\overline{\text{SCLK}}$ rise time	<66> $t_{\text{SOR}}$			10	ns
$\overline{\text{SCLK}}$ fall time	<67> $t_{\text{SOF}}$			10	ns
SI input setup time (vs. $\overline{\text{SCLK}}\uparrow$ )	<68> $t_{\text{SDTS}}$		30		ns
SI input hold time (vs. $\overline{\text{SCLK}}\uparrow$ )	<69> $t_{\text{HSDT}}$		30		ns
SO output delay time (vs. $\overline{\text{SCLK}}\downarrow$ )	<70> $t_{\text{DSDT}}$		2	30	ns



(10) Timer timing

Parameter	Symbol	Conditions	MIN.	MAX.	Unit
TI clock cycle	<71> $t_{CYT}$		243		ns
TI clock high-level time	<72> $t_{TIH}$		$4T + 10$		ns
TI clock low-level time	<73> $t_{TIL}$		$4T + 10$		ns
TI clock rise time	<74> $t_{TR}$			10	ns
TI clock fall time	<75> $t_{TF}$			10	ns
TCLR clock high-level time	<76> $t_{CLH}$		$4T + 10$		ns
TCLR clock low-level time	<77> $t_{CLL}$		$4T + 10$		ns

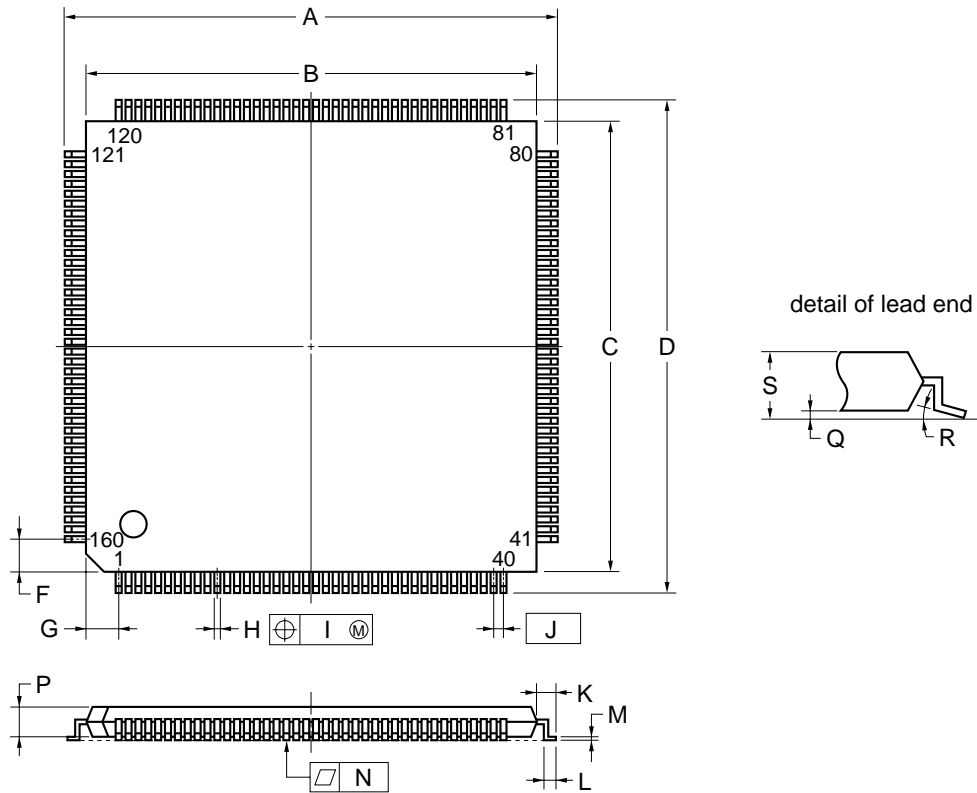
**Remark** T =  $t_{CYK}$  (external clock cycle)





17. PACKAGE DRAWINGS

160 PIN PLASTIC LQFP (FINE PITCH) (□24)



**NOTE**

Each lead centerline is located within 0.10 mm (0.004 inch) of its true position (T.P.) at maximum material condition.

ITEM	MILLIMETERS	INCHES
A	26.0±0.2	1.024 <sup>+0.008</sup> <sub>-0.009</sub>
B	24.0±0.2	0.945±0.008
C	24.0±0.2	0.945±0.008
D	26.0±0.2	1.024 <sup>+0.008</sup> <sub>-0.009</sub>
F	2.25	0.089
G	2.25	0.089
H	0.22 <sup>+0.05</sup> <sub>-0.04</sub>	0.009±0.002
I	0.10	0.004
J	0.5 (T.P.)	0.020 (T.P.)
K	1.0±0.2	0.039 <sup>+0.009</sup> <sub>-0.008</sub>
L	0.5±0.2	0.020 <sup>+0.008</sup> <sub>-0.009</sub>
M	0.145 <sup>+0.055</sup> <sub>-0.045</sub>	0.006±0.002
N	0.10	0.004
P	1.4±0.1	0.055±0.004
Q	0.125±0.075	0.005±0.003
R	3° <sup>+7°</sup> <sub>-3°</sub>	3° <sup>+7°</sup> <sub>-3°</sub>
S	1.7 MAX.	0.067 MAX.

S160GM-50-8ED-2

**18. RECOMMENDED SOLDERING CONDITIONS**

The conditions listed below shall be met when soldering the μPD705101.

For details of the recommended soldering conditions, refer to our document **Semiconductor Device Mounting Technology Manual (C10535E)**.

Please consult with our sales offices in case any other soldering process is used, or in case soldering is done under different conditions.

**Table 18-1. Soldering Conditions for Surface-Mount Devices**

Soldering Process	Soldering Conditions	Symbol
Infrared ray reflow	Peak package's surface temperature: 235 °C Reflow time: 30 seconds or less (210 °C or more) Maximum allowable number of reflow processes: 2 Exposure limit: 3 days <b>Note</b> (10 hours of pre-baking is required at 125 °C afterward) <Caution> Non-heat-resistant trays, such as magazine and taping trays, cannot be baked before unpacking.	IR35-103-2
VPS	Peak package's surface temperature: 215 °C Reflow time: 40 seconds or less (200 °C or more) Maximum allowable number of reflow processes: 2 Exposure limit: 3 days <b>Note</b> (10 hours of pre-baking is required at 125 °C afterward) <Caution> Non-heat-resistant trays, such as magazine and taping trays, cannot be baked before unpacking.	VP15-103-2
Partial heating method	Terminal temperature: 300 °C or less Heat time: 3 seconds or less (for one side of a device)	—

**Note** Maximum number of days during which the product can be stored at a temperature of 25 °C and a relative humidity of 65 % or less after dry-pack package is opened.

**Caution** Do not apply two or more different soldering methods to one chip (except for partial heating method for terminal sections).

[MEMO]

[MEMO]

[MEMO]

## NOTES FOR CMOS DEVICES

### ① PRECAUTION AGAINST ESD FOR SEMICONDUCTORS

**Note:** Strong electric field, when exposed to a MOS device, can cause destruction of the gate oxide and ultimately degrade the device operation. Steps must be taken to stop generation of static electricity as much as possible, and quickly dissipate it once, when it has occurred. Environmental control must be adequate. When it is dry, humidifier should be used. It is recommended to avoid using insulators that easily build static electricity. Semiconductor devices must be stored and transported in an anti-static container, static shielding bag or conductive material. All test and measurement tools including work bench and floor should be grounded. The operator should be grounded using wrist strap. Semiconductor devices must not be touched with bare hands. Similar precautions need to be taken for PW boards with semiconductor devices on it.

### ② HANDLING OF UNUSED INPUT PINS FOR CMOS

**Note:** No connection for CMOS device inputs can be cause of malfunction. If no connection is provided to the input pins, it is possible that an internal input level may be generated due to noise, etc., hence causing malfunction. CMOS device behave differently than Bipolar or NMOS devices. Input levels of CMOS devices must be fixed high or low by using a pull-up or pull-down circuitry. Each unused pin should be connected to  $V_{DD}$  or GND with a resistor, if it is considered to have a possibility of being an output pin. All handling related to the unused pins must be judged device by device and related specifications governing the devices.

### ③ STATUS BEFORE INITIALIZATION OF MOS DEVICES

**Note:** Power-on does not necessarily define initial status of MOS device. Production process of MOS does not define the initial operation status of the device. Immediately after the power source is turned ON, the devices with reset function have not yet been initialized. Hence, power-on does not guarantee out-pin levels, I/O settings or contents of registers. Device is not initialized until the reset signal is received. Reset operation must be executed immediately after power-on for devices having reset function.

## Regional Information

Some information contained in this document may vary from country to country. Before using any NEC product in your application, please contact the NEC office in your country to obtain a list of authorized representatives and distributors. They will verify:

- Device availability
- Ordering information
- Product release schedule
- Availability of related technical literature
- Development environment specifications (for example, specifications for third-party tools and components, host computers, power plugs, AC supply voltages, and so forth)
- Network requirements

In addition, trademarks, registered trademarks, export restrictions, and other legal issues may also vary from country to country.

### **NEC Electronics Inc. (U.S.)**

Santa Clara, California  
Tel: 408-588-6000  
800-366-9782  
Fax: 408-588-6130  
800-729-9288

### **NEC Electronics (Germany) GmbH**

Duesseldorf, Germany  
Tel: 0211-65 03 02  
Fax: 0211-65 03 490

### **NEC Electronics (UK) Ltd.**

Milton Keynes, UK  
Tel: 01908-691-133  
Fax: 01908-670-290

### **NEC Electronics Italiana s.r.l.**

Milano, Italy  
Tel: 02-66 75 41  
Fax: 02-66 75 42 99

### **NEC Electronics (Germany) GmbH**

Benelux Office  
Eindhoven, The Netherlands  
Tel: 040-2445845  
Fax: 040-2444580

### **NEC Electronics (France) S.A.**

Velizy-Villacoublay, France  
Tel: 01-30-67 58 00  
Fax: 01-30-67 58 99

### **NEC Electronics (France) S.A.**

Spain Office  
Madrid, Spain  
Tel: 01-504-2787  
Fax: 01-504-2860

### **NEC Electronics (Germany) GmbH**

Scandinavia Office  
Taeby, Sweden  
Tel: 08-63 80 820  
Fax: 08-63 80 388

### **NEC Electronics Hong Kong Ltd.**

Hong Kong  
Tel: 2886-9318  
Fax: 2886-9022/9044

### **NEC Electronics Hong Kong Ltd.**

Seoul Branch  
Seoul, Korea  
Tel: 02-528-0303  
Fax: 02-528-4411

### **NEC Electronics Singapore Pte. Ltd.**

United Square, Singapore 1130  
Tel: 253-8311  
Fax: 250-3583

### **NEC Electronics Taiwan Ltd.**

Taipei, Taiwan  
Tel: 02-719-2377  
Fax: 02-719-5951

### **NEC do Brasil S.A.**

Cumbica-Guarulhos-SP, Brasil  
Tel: 011-6465-6810  
Fax: 011-6465-6829

The related documents referred to in this publication may include preliminary versions. However, preliminary versions are not marked as such.

**V830, V831, and V830 Family are trademarks of NEC Corporation.**

No part of this document may be copied or reproduced in any form or by any means without the prior written consent of NEC Corporation. NEC Corporation assumes no responsibility for any errors which may appear in this document.

NEC Corporation does not assume any liability for infringement of patents, copyrights or other intellectual property rights of third parties by or arising from use of a device described herein or any other liability arising from use of such device. No license, either express, implied or otherwise, is granted under any patents, copyrights or other intellectual property rights of NEC Corporation or others.

While NEC Corporation has been making continuous effort to enhance the reliability of its semiconductor devices, the possibility of defects cannot be eliminated entirely. To minimize risks of damage or injury to persons or property arising from a defect in an NEC semiconductor device, customers must incorporate sufficient safety measures in its design, such as redundancy, fire-containment, and anti-failure features.

NEC devices are classified into the following three quality grades:

"Standard", "Special", and "Specific". The Specific quality grade applies only to devices developed based on a customer designated "quality assurance program" for a specific application. The recommended applications of a device depend on its quality grade, as indicated below. Customers must check the quality grade of each device before using it in a particular application.

Standard: Computers, office equipment, communications equipment, test and measurement equipment, audio and visual equipment, home electronic appliances, machine tools, personal electronic equipment and industrial robots

Special: Transportation equipment (automobiles, trains, ships, etc.), traffic control systems, anti-disaster systems, anti-crime systems, safety equipment and medical equipment (not specifically designed for life support)

Specific: Aircrafts, aerospace equipment, submersible repeaters, nuclear reactor control systems, life support systems or medical equipment for life support, etc.

The quality grade of NEC devices is "Standard" unless otherwise specified in NEC's Data Sheets or Data Books. If customers intend to use NEC devices for applications other than those specified for Standard quality grade, they should contact an NEC sales representative in advance.

Anti-radioactive design is not implemented in this product.