



# 24Vin / 28Vout / 100Watts DC-DC Converter Module

Model Number V24C28C100B\*

## Features

- DC input range: 18 - 36V
- Input surge withstand: 50V for 100ms
- DC output: 28V
- Programmable output: 10 to 110%
- Regulation:  $\pm 0.2\%$  no load to full load
- Efficiency: 89%
- Maximum operating temperature: 100°C at full load
- Power density: 60W/cubic inch
- Height above board: 0.43 in. (10,9 mm)
- Parallelable, with N+M fault tolerance
- Low noise ZCS/ZVS architecture

**Typical Applications:** telecommunications, process control and distributed power systems

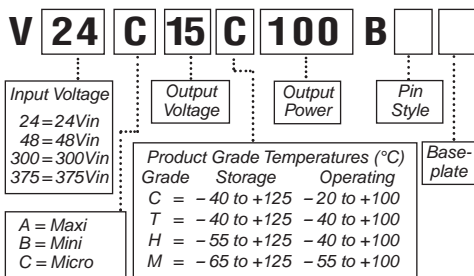


Shown actual size:  
2.28 x 1.45 x 0.5 in  
57,9 x 36,8 x 12,7 mm

## Product Overview

This DC-DC converter module uses 2nd Generation power processing, control and packaging technologies to provide the performance, flexibility and cost effectiveness expected of a mature power component. For example, a plated-cavity core transformer couples widely separated primary and secondary windings, resulting in low in-to-out parasitic capacitance and noise. High frequency ZCS/ZVS switching, advanced power semiconductor packaging and thermal management provide high power density with low temperature gradients. Extensive use of silicon integration results in 1/3 the part count of a 1st Generation converter.

## \* Part Numbering



For pin styles see page 6. Slotted baseplate (style 1) requires no designator. For threaded baseplate add a "2" to the end of the part number. For thru-hole, add a "3". See page 7 for dimensions.

## Absolute Maximum Ratings

| Parameter                       | Rating        | Unit         | Notes   |
|---------------------------------|---------------|--------------|---|
| +In to -In voltage              | -0.5 to +36   | Vdc          |   |
| +In to -In voltage              | 50            | Vdc          | <100ms  |
| PC to -In voltage               | -0.5 to +7.0  | Vdc          |   |
| PR to -In voltage               | -0.5 to +7.0  | Vdc          |   |
| +Out to -Out voltage            | -0.5 to +36.9 | Vdc          |   |
| SC to -Out voltage              | -0.5 to +1.5  | Vdc          |   |
| Isolation voltage (in to out)   | 2000          | Vrms         |   |
| Isolation voltage (in to base)  | 1550          | Vrms         |   |
| Isolation voltage (out to base) | 500           | Vrms         |   |
| Storage temperature (C-Grade)   | -40 to +125   | °C           | See part numbering chart on this page for other product grades. |
| Operating temperature (C-Grade) | -20 to +100   | °C           | Baseplate   |
| Pin soldering temperature       | 500 (260)     | °F (°C)      | <5 sec; wave solder   |
| Pin soldering temperature       | 750 (390)     | °F (°C)      | <7 sec; hand solder   |
| Mounting torque                 | 5 (0.57)      | in-lbs (N-m) | 6 each, # 4-40 or M3  |

## Thermal Resistance and Capacity

| Parameter                                  | Min | Typ  | Max | Unit        |
|--|-----|------|-----|-------------|
| Baseplate to sink; flat, greased surface   |     | 0.24 |     | °C/Watt     |
| Baseplate to sink; thermal pad (P/N 20265) |     | 0.21 |     | °C/Watt     |
| Baseplate to ambient                       |     | 10.9 |     | °C/Watt     |
| Baseplate to ambient; 1000 LFM             |     | 2.8  |     | °C/Watt     |
| Thermal capacity                           |     | 48   |     | Watt-sec/°C |

## ELECTRICAL CHARACTERISTICS

Electrical characteristics apply over the full operating range of input voltage, output load (resistive) and baseplate temperature, unless otherwise specified. All temperatures refer to the operating temperature at the center of the baseplate.

### ■ MODULE OPERATING SPECIFICATIONS

| Parameter               | Min   | Typ  | Max   | Unit  | Notes   |
|-------------------------|-------|------|-------|-------|---|
| Operating input voltage | 18    | 24   | 36    | Vdc   |   |
| Input surge withstand   |       |      | 50    | Vdc   | <100ms  |
| Output voltage setpoint | 27.72 | 28   | 28.28 | Vdc   | Nominal input; full load; 25°C                          |
| Output OVP setpoint     | 31.5  | 32.7 | 33.9  | Vdc   | 25°C; recycle input voltage to restart ( 1 minute off ) |
| Output power            |       |      | 100   | Watts | At 100°C baseplate temperature                          |
| Efficiency              | 88    | 89   |       | %     | Nominal input; 75% of full load; 25°C                   |

### ■ MODULE INPUT SPECIFICATIONS

| Parameter               | Min   | Typ  | Max  | Unit  | Notes   |
|-------------------------|-------|------|------|-------|---------|
| Undervoltage turn-on    |       | 17.5 | 17.9 | Vdc   |         |
| Undervoltage turn-off   | 14.74 | 15.3 |      | Vdc   |         |
| Overvoltage turn-off/on | 36.3  | 37.8 | 39.6 | Vdc   |         |
| Dissipation, standby    |       | 3.3  | 5    | Watts | No load |

### ■ MODULE OUTPUT SPECIFICATIONS

| Parameter              | Min  | Typ    | Max    | Unit   | Notes   |
|------------------------|------|--------|--------|--------|---|
| Line regulation        |      | ±0.02  | ±0.2   | %      | Low line to high line; full load  |
| Load regulation        |      | ±0.06  | ±0.2   | %      | No load to full load; nominal input   |
| Temperature regulation |      | ±0.002 | ±0.005 | % / °C | Over operating temperature range  |
| Ripple and noise, p-p  |      | 85     | 107    | mV     | Nominal input; full load; 20 MHz bandwidth  |
| Current limit          | 3.64 | 4.12   | 5      | Amps   | Output voltage 95% of nominal   |
| Short circuit current  | .5   | 4.12   | 5      | Amps   | Output voltage <250mV   |
| Power sharing accuracy |      | ±2     | ±5     | %      | 10 to 100% of full load   |
| Programming range      | 10   |        | 110    | %      | Of nominal output voltage. For trimming below 90% of nominal, a minimum load of 10% of maximum rated power may be required. |

**Note:** For important information relative to applications where the converter modules are subject to continuous dynamic loading, contact Vicor applications engineering at 800-927-9474.

### ■ MODULE MECHANICAL SPECIFICATIONS

|           |                   |  |
|-----------|-------------------|--|
| Baseplate | Slotted (Style 1) | Slotted baseplate (style 1) requires no designator. For threaded baseplate add a "2" to the end of the part number. For thru-hole add a "3". |
| Pin style | Short (Style 1)   | For long pin configuration add "L" to the end of the part number. See page 7 for pin dimensions.   |

## ELECTRICAL CHARACTERISTICS, continued

### ■ MODULE CONTROL SPECIFICATIONS

| Parameter   | Min  | Typ   | Max  | Unit    | Notes  |
|---|------|-------|------|---------|--|
| <b>PRIMARY SIDE</b> (PC = Primary Control; PR = Parallel) |      |       |      |         |  |
| PC bias voltage   | 5.50 | 5.75  | 6.10 | Vdc     | PC current = 1.0 mA<br>PC voltage = 5.5V       |
| current limit   | 1.5  | 2.1   | 3.0  | mA      |  |
| PC module disable   | 2.3  | 2.3   | 2.6  | Vdc     | Must be able to sink $\geq 4$ mA. See Fig. 1   |
| PC module enable delay                                    |      | 4     | 7    | ms      |  |
| PC module alarm   |      |       | 0.5  | Vavg    | UV, OV, OT, module fault. See Figs. 2 and 4    |
| PR emitter amplitude                                      | 5.7  | 5.9   | 6.1  | Volts   | PR load >30 ohms, < 30 pF                      |
| PR emitter current  | 150  |       |      | mA      |  |
| PR receiver impedance                                     | 375  | 500   | 625  | ohms    | 25°C   |
| PR receiver threshold                                     | 2.4  | 2.5   | 2.6  | Volts   | Minimum pulse width: 20ns                      |
| PR drive capability                                       |      |       | 12   | modules | Without PR buffer amplifier                    |
| <b>SECONDARY SIDE</b> (SC = Secondary Control)            |      |       |      |         |  |
| SC bandgap voltage  | 1.21 | 1.23  | 1.25 | Vdc     | Referenced to –Out                             |
| SC resistance   | 990  | 1000  | 1010 | ohms    |  |
| SC capacitance  |      | 0.033 |      | $\mu$ F |  |
| SC module alarm   |      | 0     |      | Vdc     | With open trim; referenced to –Out. See Fig. 6 |

### ■ MODULE GENERAL SPECIFICATIONS

| Parameter                        | Min  | Typ            | Max      | Unit           | Notes   |
|----------------------------------|------|----------------|----------|----------------|---|
| Isolation voltage (in to out)    | 2000 |                |          | Vrms           | Complies with reinforced insulation requirements                                |
| Isolation voltage (in to base)   | 1550 |                |          | Vrms           | Complies with basic insulation requirements                                     |
| Isolation voltage (out to base)  | 500  |                |          | Vrms           | Complies with operational insulation requirements                               |
| Isolation resistance (in to out) |      | 10             |          | megohms        |   |
| Weight                           |      | 2.1 (60)       | 2.3 (66) | ounces (grams) |   |
| Temperature limiting             | 100  | 115            |          | °C             | See Figs. 2 and 4   |
| Agency approvals                 |      | cULus, TÜV, CE |          |                | UL60950, EN60950, CSA60950, IEC 60950.<br>With a fuse in series with the +Input |

**Note:** The cover is electrically conductive and may be electrically connected to the baseplate.

# CONTROL FUNCTIONS - PC PIN

## Module Enable/Disable

The module may be disabled by pulling PC below 2.3V with respect to the -Input. This may be done with an open collector transistor, relay, or optocoupler. Multiple converters may be disabled with a single transistor or relay either directly or via "OR'ing" diodes. See Figure 1.

## Primary Auxiliary Supply

At 5.7V, PC can source up to 1.5mA. In the example shown in Figure 3, PC powers a "green" module enabled LED.

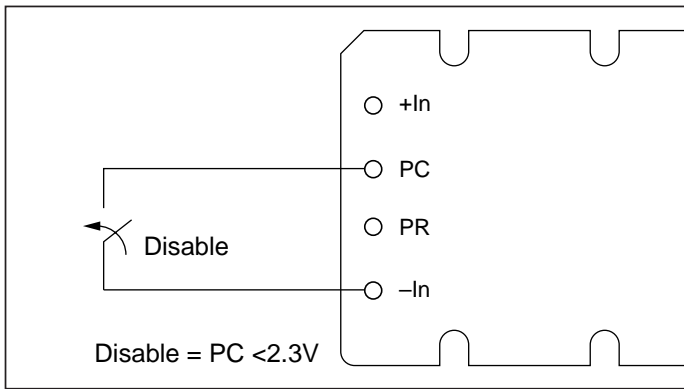


Figure 1—Module enable/disable.

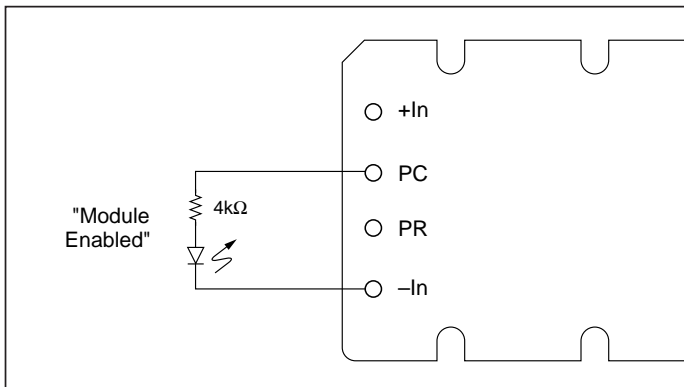


Figure 3—LED on-state indicator.

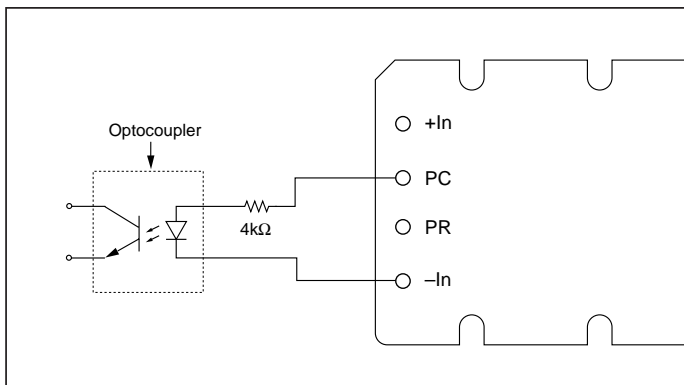


Figure 5—Isolated on-state indicator.

## Module Alarm

The module contains "watchdog" circuitry which monitors input voltage, operating temperature and internal operating parameters. In the event that any of these parameters are outside of their allowable operating range, the module will shut down and PC will go low. PC will periodically go high and the module will check to see if the fault (as an example, overtemperature) has cleared. If the fault has not been cleared, PC will go low again and the cycle will restart. The SC pin will go low in the event of a fault and return to its normal state after the fault has been cleared. See Figures 2 and 4.

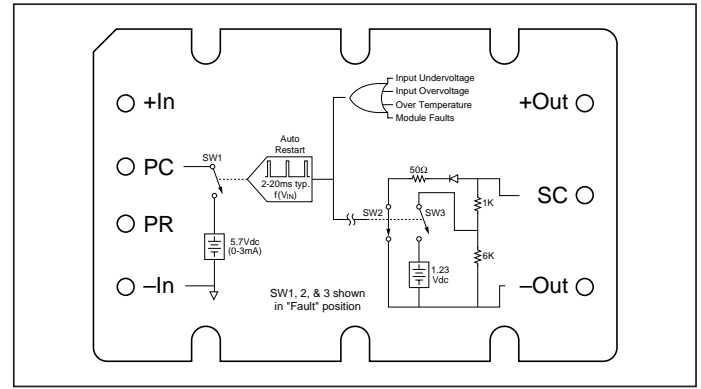


Figure 2—PC/SC module alarm logic.

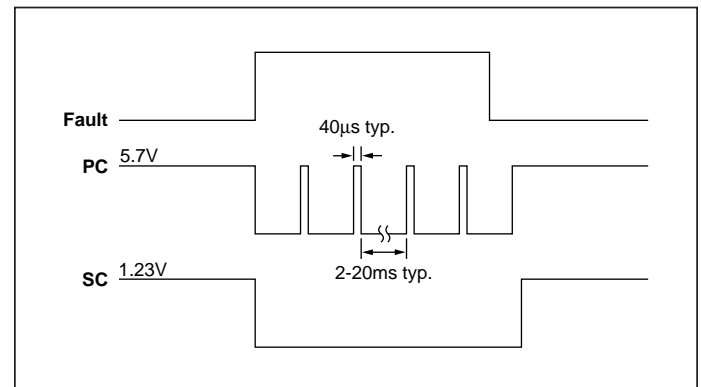


Figure 4—PC/SC module alarm timing.

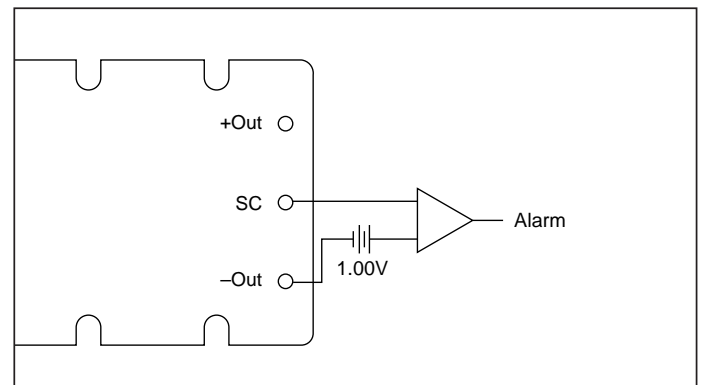


Figure 6—Secondary side on-state indicator.

# CONTROL FUNCTIONS - SC PIN

## Output Voltage Programming

The output voltage of the converter can be adjusted or programmed via fixed resistors, potentiometers or voltage DACs. See Figures 7 and 8.

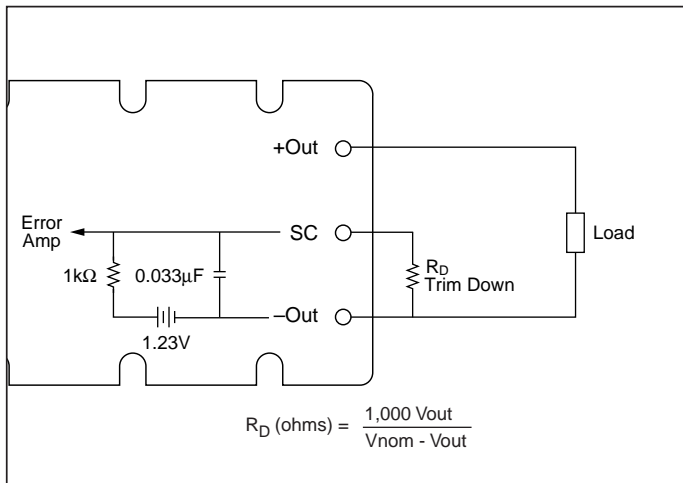


Figure 7—Output voltage trim down circuit.

### Trim Down

1. This converter is not a constant power device – it has a constant current limit. Hence, available output power is reduced by the same percentage that output voltage is trimmed down. Do not exceed maximum rated output current.
2. The trim down resistor must be connected to the –Out pin.

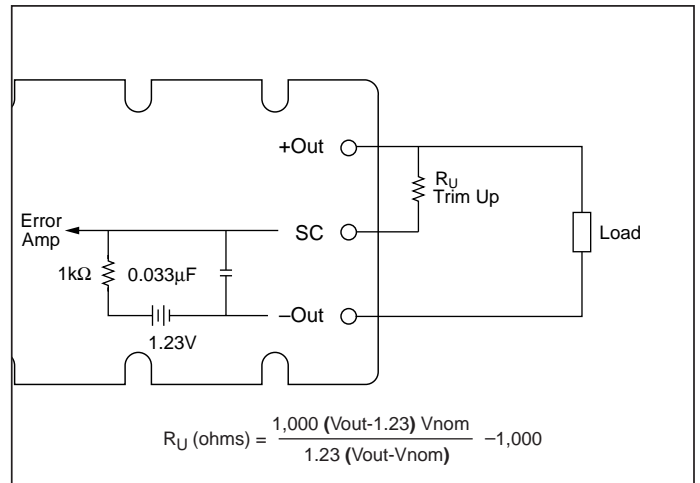
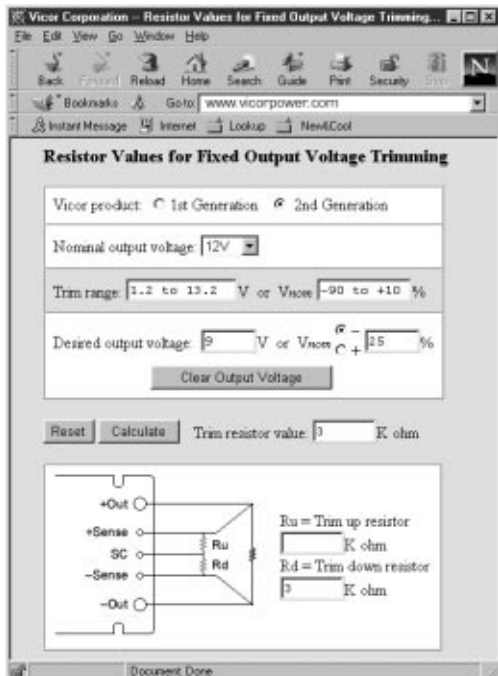


Figure 8—Output voltage trim up circuit.

### Trim Up

1. The converter is rated for a maximum delivered power. To ensure that maximum rated power is not exceeded, reduce maximum output current by the same percentage increase in output voltage.
2. The trim up resistor must be connected to the +Out pin.
3. Do not trim the converter above maximum trim range (typically +10%) or the output over voltage protection circuitry may be activated.



### Trim resistor values calculated automatically:

On-line calculators for trim resistor values are available on the vicor website at: [vicorpower.com/tools.html](http://vicorpower.com/tools.html).

Resistor values can be calculated for fixed trim up, fixed trim down and for variable trim up or down cases for both 1st and 2nd Generation DC-DC converters.

In addition to trimming information, the web site and the Applications Manual also include design tips, applications circuits, EMC suggestions, thermal design guidelines and PDF data sheets for all available Vicor products.

## CONTROL FUNCTIONS - PR PIN

### Parallel Operation

The PR pin supports paralleling for increased power with N+1 (N+M) redundancy and phased array capability. Modules of the same input voltage, output voltage, and power level will current share if all PR pins are suitably interfaced.

Compatible interface architectures include the following:

**DC coupled single-wire interface.** All PR pins are directly connected to one another. This interface supports current

sharing but is not fault tolerant. Minus In pins must be tied to the same electric potential. See Figure 9.

**AC coupled single-wire interface.** All PR pins are connected to a single communication bus through 0.001 $\mu$ F (500V) capacitors. This interface supports current sharing and is fault tolerant except for the communication bus. See Figure 10.

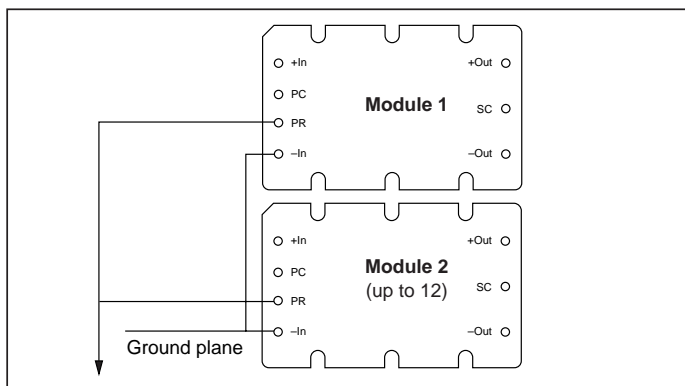


Figure 9—DC coupled single-wire interface.

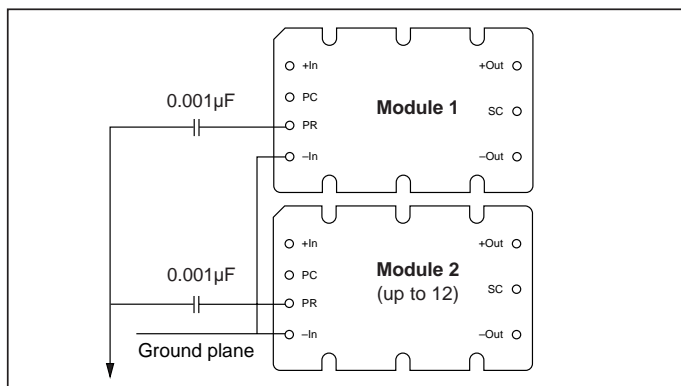


Figure 10—AC coupled single-wire interface.

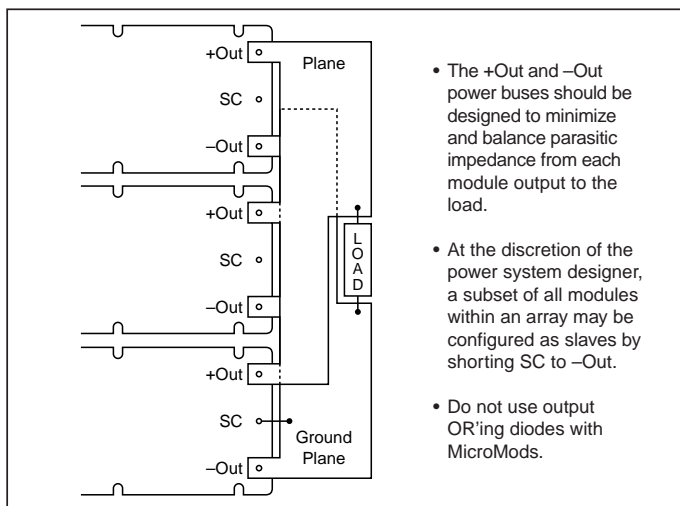


Figure 11—N+1 module array output connections.

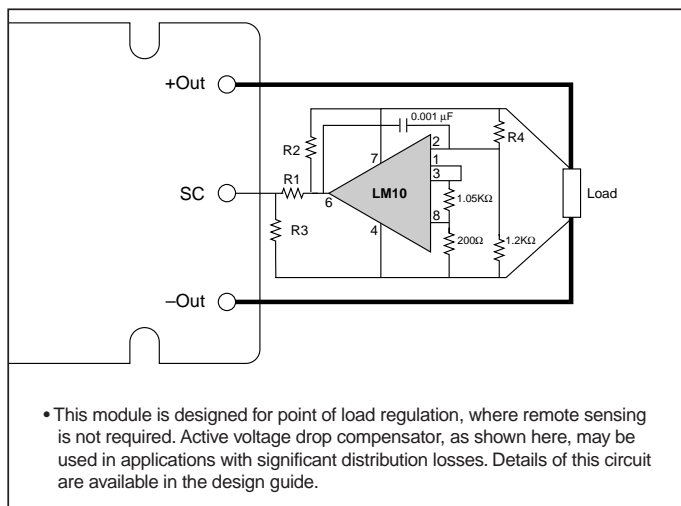


Figure 12—Voltage drop compensation.

### PIN STYLES \*

| Designator | Description    | Notes                                |
|------------|----------------|--------------------------------------|
| (None)     | Short solder   | Requires in-board, mounting          |
| L          | Long solder    | On-board mounting for 0.065" boards  |
| S          | Short ModuMate | SurfMate or in-board socket mounting |
| N          | Long ModuMate  | On-board socket mounting             |

\* Pin style designator follows the "A" after the output power and precedes the baseplate designator.  
Ex. V375A24C600AN — Long ModuMate Pins

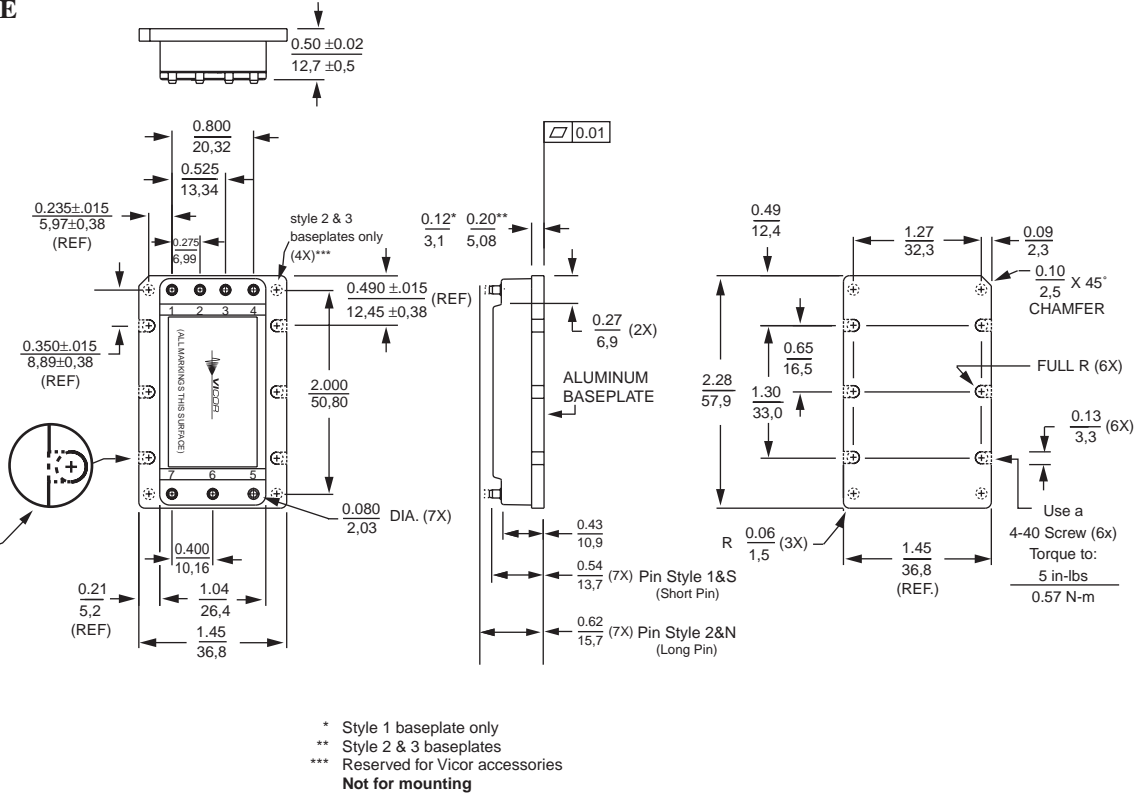
# MECHANICAL DRAWINGS

## MODULE OUTLINE

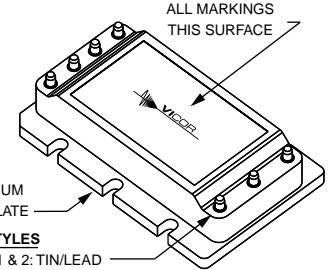
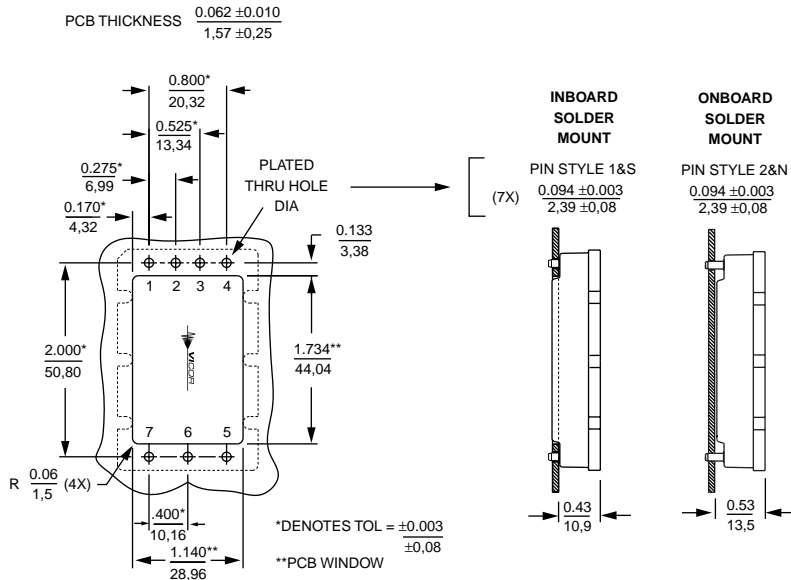
| Converter Pins |                   |       |
|----------------|-------------------|-------|
| No.            | Function          | Label |
| 1              | +In               | +     |
| 2              | Primary Control   | PC    |
| 3              | Parallel          | PR    |
| 4              | -In               | -     |
| 5              | -Out              | -     |
| 6              | Secondary Control | SC    |
| 7              | +Out              | +     |

PINS: TIN/LEAD  
HOT SOLDER DIP

|                                 |   |
|---------------------------------|---|
| Slotted (Style 1)               |  |
| or                              |   |
| Threaded (Style 2)              |  |
| 4-40 UNC-2B (6X)                |   |
| or                              |   |
| Thru Hole (Style 3)             |  |
| #30 Drill Thru (6X)<br>(0.1285) |   |



## PCB MOUNTING SPECIFICATIONS



**PINS STYLES**  
STYLE 1 & 2: TIN/LEAD  
HOT SOLDER DIPPED  
STYLE S & N: GOLD PLATED COPPER

| Unless otherwise specified, dimensions are in inches/mm |                  |        |
|---|------------------|--------|
| Decimals  | Tol.             | Angles |
| 0.XX  | ±0.01<br>±0.25   | ±1°    |
| 0.XXX   | ±0.005<br>±0.127 |        |

**Vicor's comprehensive line of power solutions includes modular, high density DC-DC converters and accessory components, configurable power supplies, and custom power systems.**

Information furnished by Vicor is believed to be accurate and reliable. However, no responsibility is assumed by Vicor for its use. No license is granted by implication or otherwise under any patent or patent rights of Vicor. Vicor components are not designed to be used in applications, such as life support systems, wherein a failure or malfunction could result in injury or death. All sales are subject to Vicor's Terms and Conditions of Sale, which are available upon request.

**Specifications are subject to change without notice.**



*Component Solutions  
for Your Power System*

**Vicor Corporation**  
25 Frontage Road  
Andover, MA, USA 01810  
Tel: 800-735-6200  
Fax: 978-475-6715

**Email**

Vicor Express: [vicorexp@vicr.com](mailto:vicorexp@vicr.com)  
Technical Support: [apps@vicr.com](mailto:apps@vicr.com)