

**V53C16258H**  
**HIGH PERFORMANCE**  
**256K X 16 EDO PAGE MODE**  
**CMOS DYNAMIC RAM**  
**OPTIONAL SELF REFRESH**

<b>HIGH PERFORMANCE</b>	<b>25</b>	<b>30</b>	<b>35</b>	<b>40</b>	<b>45</b>	<b>50</b>
Max. $\overline{\text{RAS}}$ Access Time, ( $t_{\text{RAC}}$ )	25 ns	30 ns	35 ns	40 ns	45 ns	50 ns
Max. Column Address Access Time, ( $t_{\text{CAA}}$ )	13 ns	16 ns	18 ns	20 ns	22 ns	24 ns
Min. Extended Data Out Mode Cycle Time, ( $t_{\text{PC}}$ )	10 ns	12 ns	14 ns	15 ns	17 ns	19 ns
Min. Read/Write Cycle Time, ( $t_{\text{RC}}$ )	45 ns	60 ns	70 ns	75 ns	80 ns	90 ns

**Features**

- 256K x 16-bit organization
- EDO Page Mode for a sustained data rate of 100 MHz
- $\overline{\text{RAS}}$  access time: 25, 30, 35, 40, 45, 50 ns
- Dual  $\overline{\text{CAS}}$  Inputs
- Low power dissipation
- Read-Modify-Write,  $\overline{\text{RAS}}$ -Only Refresh,  $\overline{\text{CAS}}$ -Before- $\overline{\text{RAS}}$  Refresh
- Optional Self Refresh (V53C16258SH)
- Refresh Interval: 512 cycles/8 ms
- Available in 40-pin 400 mil SOJ and 40/44L-pin 400 mil TSOP-II packages
- Single +5V  $\pm$ 10% Power Supply
- TTL Interface

**Description**

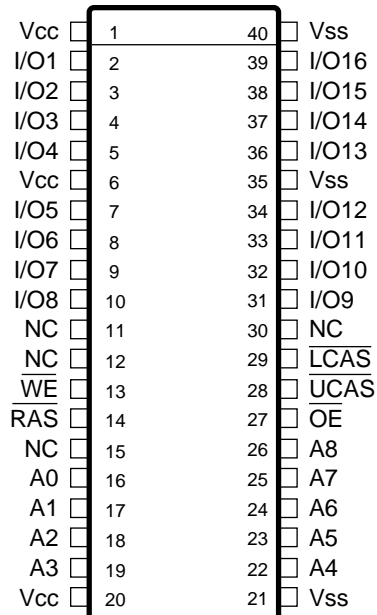
The V53C16258H is a high speed 262,144 x 16 bit high performance CMOS dynamic random access memory. The V53C16258H offers a combination of unique features including: EDO Page Mode operation for higher sustained bandwidth with Page Mode cycle times as short as 10ns. All inputs are TTL compatible. Input and output capacitance is significantly lowered to increase performance and minimize loading. These features make the V53C16258H ideally suited for a wide variety of high performance computer systems and peripheral applications.

**Device Usage Chart**

Operating Temperature Range	Package Outline		Access Time (ns)						Power	Temperature Mark
	K	T	25	30	35	40	45	50	Std.	
0°C to 70°C	•	•	•	•	•	•	•	•	•	Blank
-40°C to +85°C	•	•	•	•	•	•	•	•	•	I

Part Name	Self Refresh	Supply Voltage	Package	Speed
V53C16258HKxx	No Self Refresh	5V	SOJ	25/30/35/40/45/50
V53C16258HTxx	No Self Refresh	5V	TSOP	25/30/35/40/45/50
V53C16258SHKxx	Optional Standard Self Refresh (8ms)	5V	SOJ	25/30/35/40/45/50
V53C16258SHTxx	Optional Standard Self Refresh (8ms)	5V	TSOP	25/30/35/40/45/50

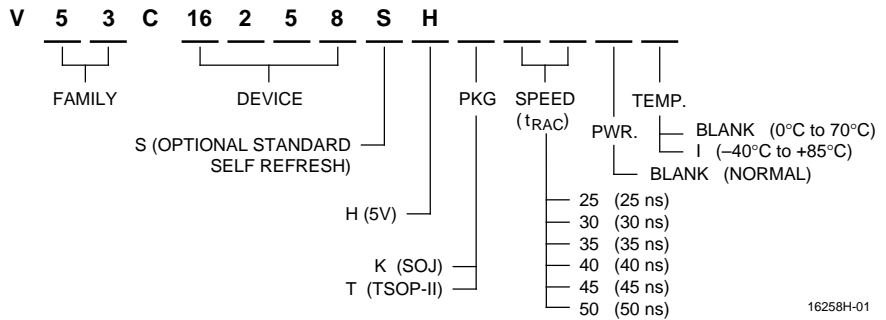
**40-Pin SOJ  
PIN CONFIGURATION  
Top View**



16258H-02

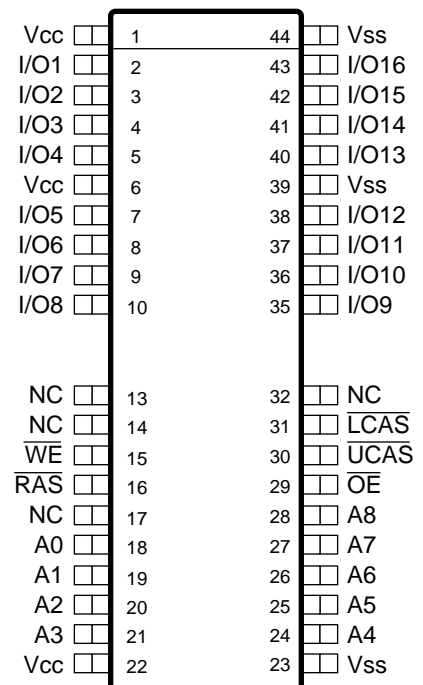
**Pin Names**

A <sub>0</sub> -A <sub>8</sub>	Address Inputs
RAS	Row Address Strobe
UCAS	Column Address Strobe/Upper Byte Control
LCAS	Column Address Strobe/Lower Byte Control
WE	Write Enable
OE	Output Enable
I/O <sub>1</sub> -I/O <sub>16</sub>	Data Input, Output
V <sub>CC</sub>	+5V Supply
V <sub>SS</sub>	0V Supply
NC	No Connect



16258H-01

**40/44 Pin Plastic TSOP-II  
PIN CONFIGURATION  
Top View**



16258H-03

**Absolute Maximum Ratings\***

Ambient Temperature  
 Under Bias ..... -10°C to +80°C  
 Storage Temperature (plastic) ..... -55°C to +125°C  
 Voltage Relative to V<sub>SS</sub> ..... -1.0 V to +7.0 V  
 Data Output Current ..... 50 mA  
 Power Dissipation ..... 1.0 W

\*Note: Operation above Absolute Maximum Ratings can adversely affect device reliability.

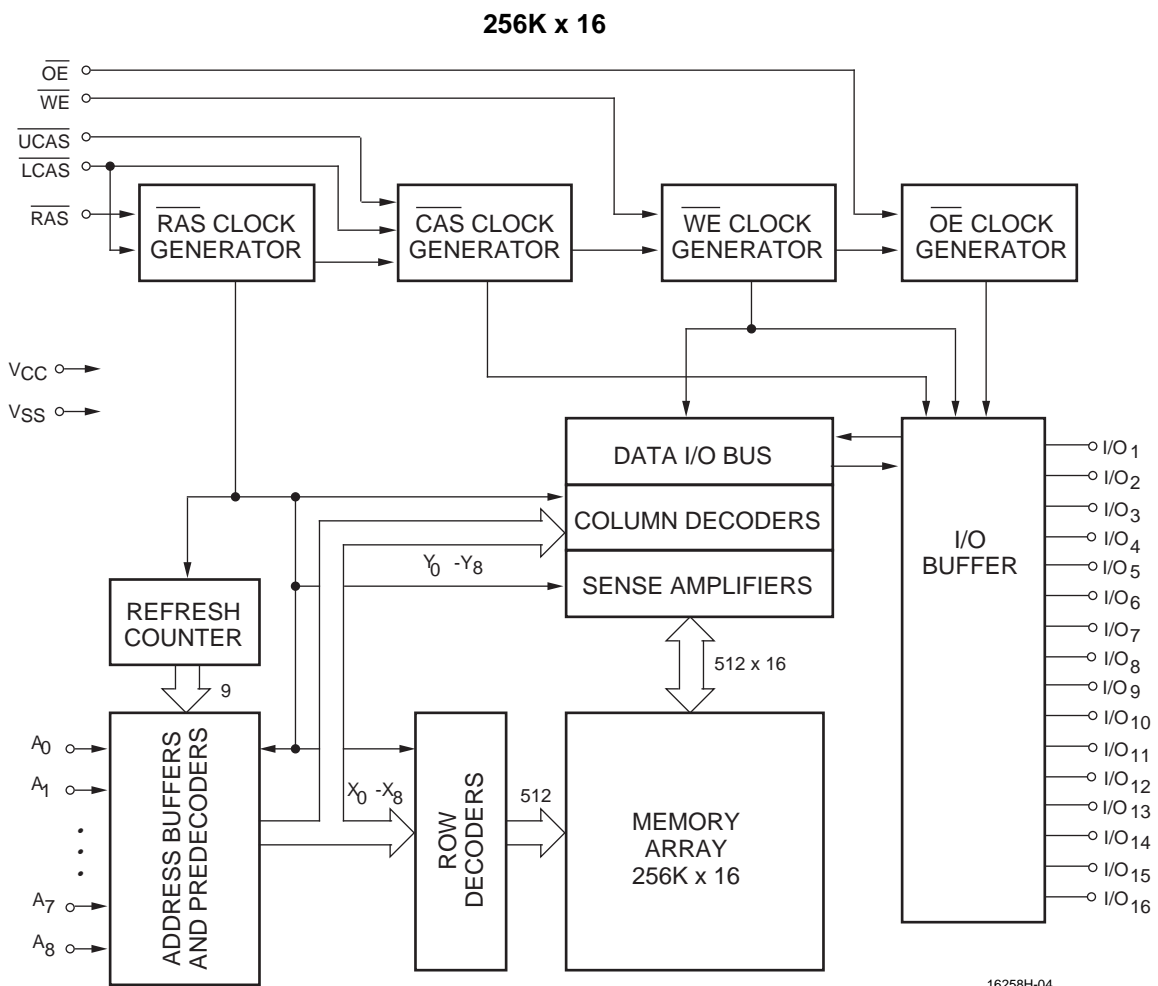
**Capacitance\***

T<sub>A</sub> = 25°C, V<sub>CC</sub> = 5 V ± 10%, V<sub>SS</sub> = 0 V

Symbol	Parameter	Typ.	Max.	Unit
C <sub>IN1</sub>	Address Input	3	4	pF
C <sub>IN2</sub>	$\overline{\text{RAS}}$ , $\overline{\text{CAS}}$ , $\overline{\text{WE}}$ , $\overline{\text{OE}}$	4	5	pF
C <sub>OUT</sub>	Data Input/Output	5	7	pF

\* Note: Capacitance is sampled and not 100% tested

**Block Diagram**



**DC and Operating Characteristics (1-2)**

$T_A = 0^\circ\text{C}$  to  $70^\circ\text{C}$ ,  $V_{CC} = 5\text{ V} \pm 10\%$ ,  $V_{SS} = 0\text{ V}$ , unless otherwise specified.

Symbol	Parameter	Access Time	V53C16258H			Unit	Test Conditions	Notes
			Min.	Typ.	Max.			
$I_{LI}$	Input Leakage Current (any input pin)		-10		10	$\mu\text{A}$	$V_{SS} \leq V_{IN} \leq V_{CC}$	
$I_{LO}$	Output Leakage Current (for High-Z State)		-10		10	$\mu\text{A}$	$V_{SS} \leq V_{OUT} \leq V_{CC}$ $\overline{\text{RAS}}, \overline{\text{CAS}}$ at $V_{IH}$	
$I_{CC1}$	$V_{CC}$ Supply Current, Operating	25			260	mA	$t_{RC} = t_{RC}(\text{min.})$	1, 2
		30			200			
		35			190			
		40			180			
		45			100			
		50			90			
$I_{CC2}$	$V_{CC}$ Supply Current, TTL Standby				2	mA	$\overline{\text{RAS}}, \overline{\text{CAS}}$ at $V_{IH}$ other inputs $\geq V_{SS}$	
$I_{CC3}$	$V_{CC}$ Supply Current, $\overline{\text{RAS}}$ -Only Refresh	25			260	mA	$t_{RC} = t_{RC}(\text{min.})$	2
		30			200			
		35			190			
		40			180			
		45			100			
		50			90			
$I_{CC4}$	$V_{CC}$ Supply Current, EDO Page Mode Operation	25			200	mA	Minimum Cycle	1, 2
		30			140			
		35			130			
		40			120			
		45			90			
		50			80			
$I_{CC5}$	$V_{CC}$ Supply Current, Standby, Output Enabled other inputs $\geq V_{SS}$				2	mA	$\overline{\text{RAS}} = V_{IH}, \overline{\text{CAS}} = V_{IL}$	1
$I_{CC6}$	$V_{CC}$ Supply Current, CMOS Standby				1	mA	$\overline{\text{RAS}} \geq V_{CC} - 0.2\text{ V}$ , $\overline{\text{CAS}} \geq V_{CC} - 0.2\text{ V}$ , All other inputs $\geq V_{SS}$	
$I_{CC7}$	Self Refresh Current				400	$\mu\text{A}$	CBR Cycle with $t_{RAS} \geq t_{RASS}$ (Min.) and $\text{CAS} = V_{IL}$ ; $\overline{\text{WE}} = V_{CC} - 0.2\text{ V}$ ; $A_0 - A_8$ and $D_{IN} = V_{CC} - 0.2\text{ V}$	
$V_{CC}$	Supply Voltage		4.5	5.0	5.5	V		
$V_{IL}$	Input Low Voltage		-1		0.8	V		3
$V_{IH}$	Input High Voltage		2.4		$V_{CC} + 1$	V		3
$V_{OL}$	Output Low Voltage				0.4	V	$I_{OL} = 2\text{ mA}$	
$V_{OH}$	Output High Voltage		2.4			V	$I_{OH} = -2\text{ mA}$	

**AC Characteristics**

$T_A = 0^\circ\text{C}$  to  $70^\circ\text{C}$ ,  $V_{CC} = 5\text{V} \pm 10\%$ ,  $V_{SS} = 0\text{V}$  unless otherwise noted

AC Test conditions, input pulse levels 0 to 3V

#	Symbol	Parameter	25 (100 MHz)		30		35		40		45		50		Unit	Notes
			Min.	Max.	Min.	Max.	Min.	Max.	Min.	Max.	Min.	Max.	Min.	Max.		
1	$t_{RAS}$	$\overline{RAS}$ Pulse Width	25	75K	30	75K	35	75K	40	75K	45	75K	50	75K	ns	
2	$t_{RC}$	Read or Write Cycle Time	45		60		70		75		80		90		ns	
3	$t_{RP}$	$\overline{RAS}$ Precharge Time	15		20		25		25		25		30		ns	
4	$t_{CSH}$	$\overline{CAS}$ Hold Time	25		30		35		40		45		50		ns	
5	$t_{CAS}$	$\overline{CAS}$ Pulse Width	4		5		6		7		8		9		ns	
6	$t_{RCD}$	$\overline{RAS}$ to $\overline{CAS}$ Delay	10	17	12	20	13	24	15	28	18	32	19	36	ns	4
7	$t_{RCS}$	Read Command Setup Time	0		0		0		0		0		0		ns	
8	$t_{ASR}$	Row Address Setup Time	0		0		0		0		0		0		ns	
9	$t_{RAH}$	Row Address Hold Time	4		5		6		7		8		9		ns	
10	$t_{ASC}$	Column Address Setup Time	0		0		0		0		0		0		ns	
11	$t_{CAH}$	Column Address Hold Time	4		5		5		5		6		7		ns	
12	$t_{RSH(R)}$	$\overline{RAS}$ Hold Time (Read Cycle)	7		9		10		10		10		10		ns	
13	$t_{CRP}$	$\overline{CAS}$ to $\overline{RAS}$ Precharge Time	5		5		5		5		5		5		ns	
14	$t_{RCH}$	Read Command Hold Time Referenced to $\overline{CAS}$	0		0		0		0		0		0		ns	5
15	$t_{RRH}$	Read Command Hold Time Referenced to $\overline{RAS}$	0		0		0		0		0		0		ns	5
16	$t_{ROH}$	$\overline{RAS}$ Hold Time Referenced to $\overline{OE}$	4		6		7		8		9		10		ns	
17	$t_{OAC}$	Access Time from $\overline{OE}$		8		10		11		12		13		14	ns	12
18	$t_{CAC}$	Access Time from $\overline{CAS}$		8		10		11		12		13		14	ns	6, 7, 14
19	$t_{RAC}$	Access Time from $\overline{RAS}$		25		30		35		40		45		50	ns	6, 8, 9
20	$t_{CAA}$	Access Time from Column Address		13		16		18		20		22		24	ns	6, 7, 10
21	$t_{LZ}$	$\overline{OE}$ or $\overline{CAS}$ to Low-Z Output	0		0		0		0		0		0		ns	16
22	$t_{HZ}$	$\overline{OE}$ or $\overline{CAS}$ to High-Z Output	0	5	0	5	0	6	0	6	0	7	0	8	ns	16
23	$t_{AR}$	Column Address Hold Time from $\overline{RAS}$	19		23		25		30		35		40		ns	
24	$t_{RAD}$	$\overline{RAS}$ to Column Address Delay Time	8	13	9	14	10	17	12	20	13	23	14	26	ns	11
25	$t_{RSH(W)}$	$\overline{RAS}$ or $\overline{CAS}$ Hold Time in Write Cycle	7		9		10		10		10		10		ns	
26	$t_{CWL}$	Write Command to $\overline{CAS}$ Lead Time	5		7		8		10		13		14		ns	
27	$t_{WCS}$	Write Command Setup Time	0		0		0		0		0		0		ns	12, 13
28	$t_{WCH}$	Write Command Hold Time	4		5		5		5		6		7		ns	

**AC Characteristics** (Cont'd)

#	Symbol	Parameter	25 (100 MHz)		30		35		40		45		50		Unit	Notes
			Min.	Max.	Min.	Max.	Min.	Max.	Min.	Max.	Min.	Max.	Min.	Max.		
29	t <sub>WP</sub>	Write Pulse Width	4		5		5		5		6		7		ns	
30	t <sub>WCR</sub>	Write Command Hold Time from $\overline{\text{RAS}}$	19		23		25		30		35		40		ns	
31	t <sub>RWL</sub>	Write Command to $\overline{\text{RAS}}$ Lead Time	7		9		10		10		13		14		ns	
32	t <sub>DS</sub>	Data in Setup Time	0		0		0		0		0		0		ns	14
33	t <sub>DH</sub>	Data in Hold Time	4		5		5		5		6		7		ns	14
34	t <sub>WOH</sub>	Write to $\overline{\text{OE}}$ Hold Time	5		5		5		6		7		8		ns	14
35	t <sub>OED</sub>	$\overline{\text{OE}}$ to Data Delay Time	5		5		5		6		7		8		ns	14
36	t <sub>RWC</sub>	Read-Modify-Write Cycle Time	67		79		90		95		115		130		ns	
37	t <sub>RRW</sub>	Read-Modify-Write Cycle $\overline{\text{RAS}}$ Pulse Width	46		53		59		64		80		87		ns	
38	t <sub>CWD</sub>	$\overline{\text{CAS}}$ to $\overline{\text{WE}}$ Delay	19		21		23		25		32		34		ns	12
39	t <sub>RWD</sub>	$\overline{\text{RAS}}$ to $\overline{\text{WE}}$ Delay in Read-Modify-Write Cycle	36		41		46		51		62		68		ns	12
40	t <sub>CRW</sub>	$\overline{\text{CAS}}$ Pulse Width (RMW)	27		31		34		38		50		52		ns	
41	t <sub>AWD</sub>	Col. Address to $\overline{\text{WE}}$ Delay	24		27		29		31		41		42		ns	12
42	t <sub>PC</sub>	EDO Fast Page Mode Read or Write Cycle Time	10		12		14		15		17		19		ns	
43	t <sub>CP</sub>	$\overline{\text{CAS}}$ Precharge Time	3		3		4		5		6		7		ns	
44	t <sub>CAR</sub>	Column Address to $\overline{\text{RAS}}$ Setup Time	13		16		18		20		22		24		ns	
45	t <sub>CAP</sub>	Access Time from Column Precharge		15		18		20		22		25		27	ns	7
46	t <sub>DHR</sub>	Data in Hold Time Referenced to $\overline{\text{RAS}}$	19		23		25		30		35		40		ns	
47	t <sub>CSR</sub>	$\overline{\text{CAS}}$ Setup Time $\overline{\text{CAS}}$ -before- $\overline{\text{RAS}}$ Refresh	5		7		8		10		10		10		ns	
48	t <sub>RPC</sub>	$\overline{\text{RAS}}$ to $\overline{\text{CAS}}$ Precharge Time	0		0		0		0		0		0		ns	
49	t <sub>CHR</sub>	$\overline{\text{CAS}}$ Hold Time $\overline{\text{CAS}}$ -before- $\overline{\text{RAS}}$ Refresh	6		7		8		8		10		10		ns	
50	t <sub>PCM</sub>	EDO Page Mode Read-Modify-Write Cycle Time	35		40		43		47		65		70		ns	
51	t <sub>COH</sub>	Output Hold After CAS Low	4		5		5		5		5		5		ns	
52	t <sub>OES</sub>	$\overline{\text{OE}}$ Low to $\overline{\text{CAS}}$ High Setup Time	3		3		3		3		5		5		ns	
53	t <sub>OEH</sub>	$\overline{\text{OE}}$ Hold Time from $\overline{\text{WE}}$ during Read-Modify Write Cycle	5		5		5		5		10		10		ns	

**AC Characteristics** (Cont'd)

#	Symbol	Parameter	25 (100 MHz)		30		35		40		45		50		Unit	Notes
			Min.	Max.	Min.	Max.	Min.	Max.	Min.	Max.	Min.	Max.	Min.	Max.		
54	$t_{OEP}$	$\overline{OE}$ High Pulse Width	4		5		8		10		10		10		ns	
55	$t_T$	Transition Time (Rise and Fall)	1.5	50	1.5	50	1.5	50	1.5	50	1.5	50	1.5	50	ns	15
56	$t_{REF}$	Refresh Interval (512 Cycles)		8		8		8		8		8		8	ms	17
<b>Optional Self Refresh</b>																
57	$t_{RASS}$	$\overline{RAS}$ Pulse Width During Self Refresh	100		100		100		100		100		100		$\mu$ s	18
58	$t_{RPS}$	$\overline{RAS}$ Precharge Time During Self Refresh	100		100		100		100		100		100		ns	18
59	$t_{CHS}$	$\overline{CAS}$ Hold Time Width During Self Refresh	100		100		100		100		100		100		ns	18
60	$t_{CHD}$	$\overline{CAS}$ Low Time During Self Refresh	100		100		100		100		100		100		$\mu$ s	18

**Notes:**

- $I_{CC}$  is dependent on output loading when the device output is selected. Specified  $I_{CC}$  (max.) is measured with the output open.
- $I_{CC}$  is dependent upon the number of address transitions. Specified  $I_{CC}$  (max.) is measured with a maximum of two transitions per address cycle in EDO Page Mode.
- Specified  $V_{IL}$  (min.) is steady state operating. During transitions,  $V_{IL}$  (min.) may undershoot to  $-1.0$  V for a period not to exceed 20 ns. All AC parameters are measured with  $V_{IL}$  (min.)  $\geq V_{SS}$  and  $V_{IH}$  (max.)  $\leq V_{CC}$ .
- $t_{RCD}$  (max.) is specified for reference only. Operation within  $t_{RCD}$  (max.) limits insures that  $t_{RAC}$  (max.) and  $t_{CAA}$  (max.) can be met. If  $t_{RCD}$  is greater than the specified  $t_{RCD}$  (max.), the access time is controlled by  $t_{CAA}$  and  $t_{CAC}$ .
- Either  $t_{RRH}$  or  $t_{RCH}$  must be satisfied for a Read Cycle to occur.
- Measured with a load equivalent to one TTL input and 50 pF.
- Access time is determined by the longest of  $t_{CAA}$ ,  $t_{CAC}$  and  $t_{CAP}$ .
- Assumes that  $t_{RAD} \leq t_{RAD}$  (max.). If  $t_{RAD}$  is greater than  $t_{RAD}$  (max.),  $t_{RAC}$  will increase by the amount that  $t_{RAD}$  exceeds  $t_{RAD}$  (max.).
- Assumes that  $t_{RCD} \leq t_{RCD}$  (max.). If  $t_{RCD}$  is greater than  $t_{RCD}$  (max.),  $t_{RAC}$  will increase by the amount that  $t_{RCD}$  exceeds  $t_{RCD}$  (max.).
- Assumes that  $t_{RAD} \geq t_{RAD}$  (max.).
- Operation within the  $t_{RAD}$  (max.) limit ensures that  $t_{RAC}$  (max.) can be met.  $t_{RAD}$  (max.) is specified as a reference point only. If  $t_{RAD}$  is greater than the specified  $t_{RAD}$  (max.) limit, the access time is controlled by  $t_{CAA}$  and  $t_{CAC}$ .
- $t_{WCS}$ ,  $t_{RWD}$ ,  $t_{AWD}$  and  $t_{CWD}$  are not restrictive operating parameters.
- $t_{WCS}$  (min.) must be satisfied in an Early Write Cycle.
- $t_{DS}$  and  $t_{DH}$  are referenced to the latter occurrence of  $\overline{CAS}$  or  $\overline{WE}$ .
- $t_T$  is measured between  $V_{IH}$  (min.) and  $V_{IL}$  (max.). AC-measurements assume  $t_T = 3$  ns.
- Assumes a three-state test load (5 pF and a 500 Ohm Thevenin equivalent).
- An initial 200  $\mu$ s pause and 8  $\overline{RAS}$ -containing cycles are required when exiting an extended period of bias without clocks. An extended period of time without clocks is defined as one that exceeds the specified Refresh Interval.
- One CBR refresh or complete set of row refresh cycles must be completed upon exiting Self Refresh Mode.

**Truth Table**

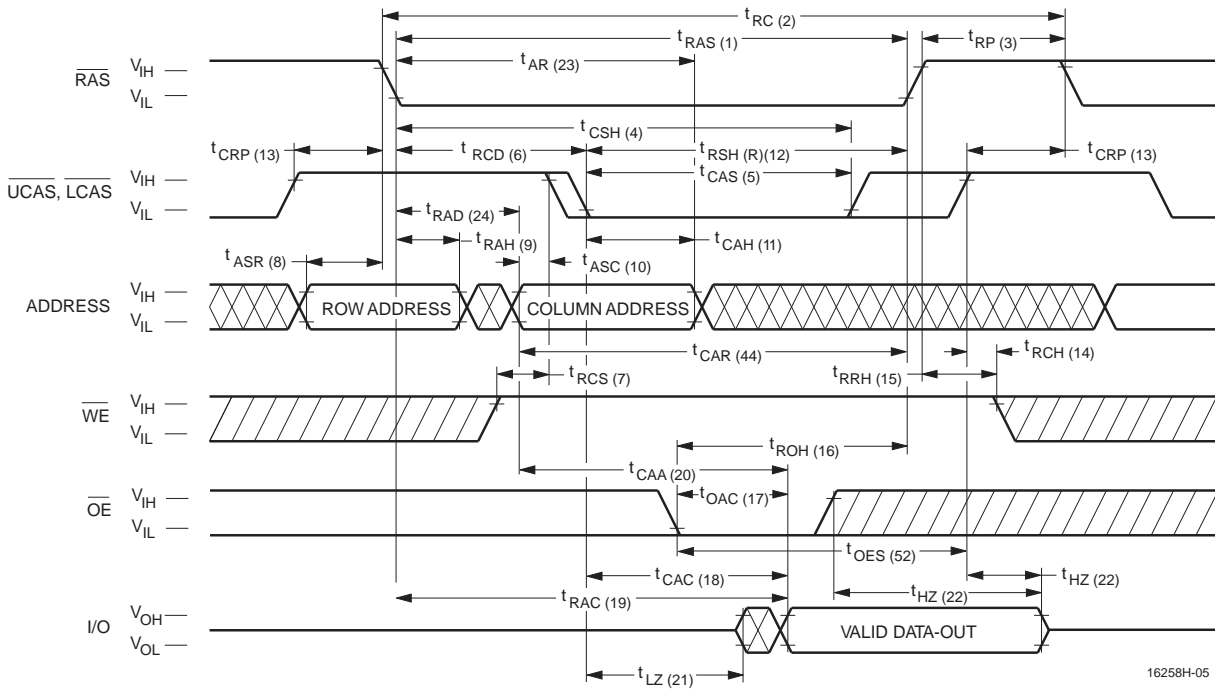
Function	RAS	LCAS	UCAS	WE	OE	ADDRESS	I/O	Notes
Standby	H	H	H	X	X	X	High-Z	
Read: Word	L	L	L	H	L	ROW/COL	Data Out	
Read: Lower Byte	L	L	H	H	L	ROW/COL	Lower Byte, Data-Out Upper Byte, High-Z	
Read: Upper Byte	L	H	L	H	L	ROW/COL	Lower Byte, High-Z Upper Byte, Data-Out	
Write: Word (Early-Write)	L	L	L	L	X	ROW/COL	Data-In	
Write: Lower Byte (Early)	L	L	H	L	X	ROW/COL	Lower Byte, Data-In Upper Byte, High-Z	
Read: Upper Byte (Early)	L	H	L	L	X	ROW/COL	Lower Byte, High-Z Upper Byte, Data-In	
Read-Write	L	L	L	H→L	L→H	ROW/COL	Data-Out, Data-In	1, 2
EDO Page-Mode Read	L	H→L	H→L	H	L	COL	Data-Out	2
EDO Page-Mode Write	L	H→L	H→L	L	X	COL	Data-In	2
EDO Page-Mode Read-Write	L	H→L	H→L	H→L	L→H	COL	Data-Out, Data-In	1, 2
Hidden Refresh Read	L→H→L	L	L	H	L	ROW/COL	Data-Out	2
RAS-Only Refresh	L	H	H	X	X	ROW	High-Z	
CBR Refresh	H→L	L	L	X	X	X	High-Z	3
Self Refresh	H→L	L	H	X	X	X	High-Z	

**Notes:**

1. Byte Write cycles  $\overline{\text{LCAS}}$  or  $\overline{\text{UCAS}}$  active.
2. Byte Read cycles  $\overline{\text{LCAS}}$  or  $\overline{\text{UCAS}}$  active.
3. Only one of the two  $\overline{\text{CAS}}$  must be active ( $\overline{\text{LCAS}}$  or  $\overline{\text{UCAS}}$ ).

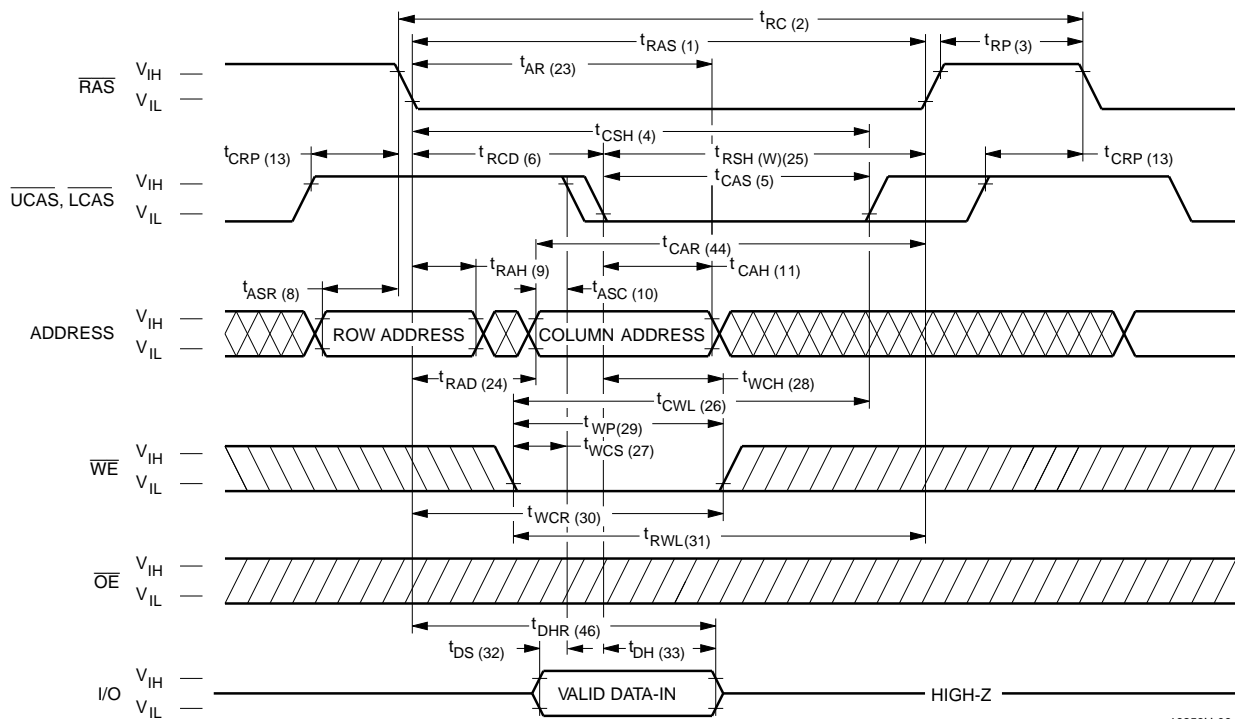


Waveforms of Read Cycle



16258H-05

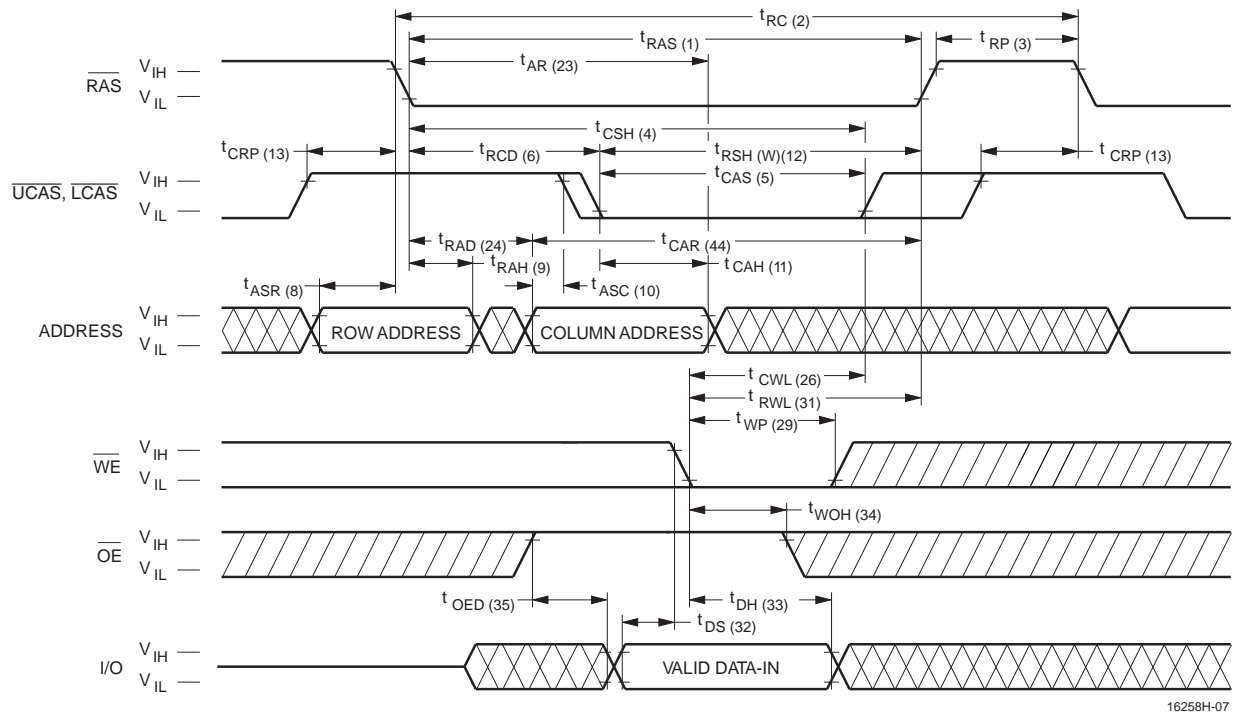
Waveforms of Early Write Cycle



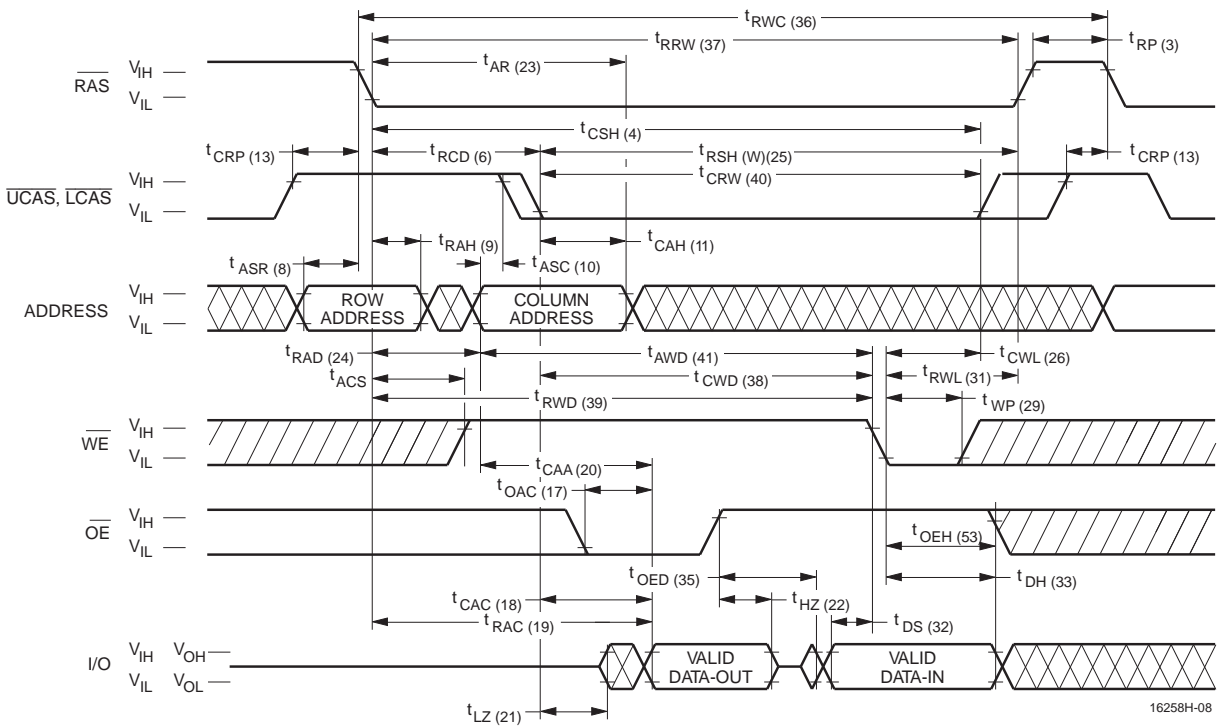
16258H-06



Waveforms of  $\overline{OE}$ -Controlled Write Cycle

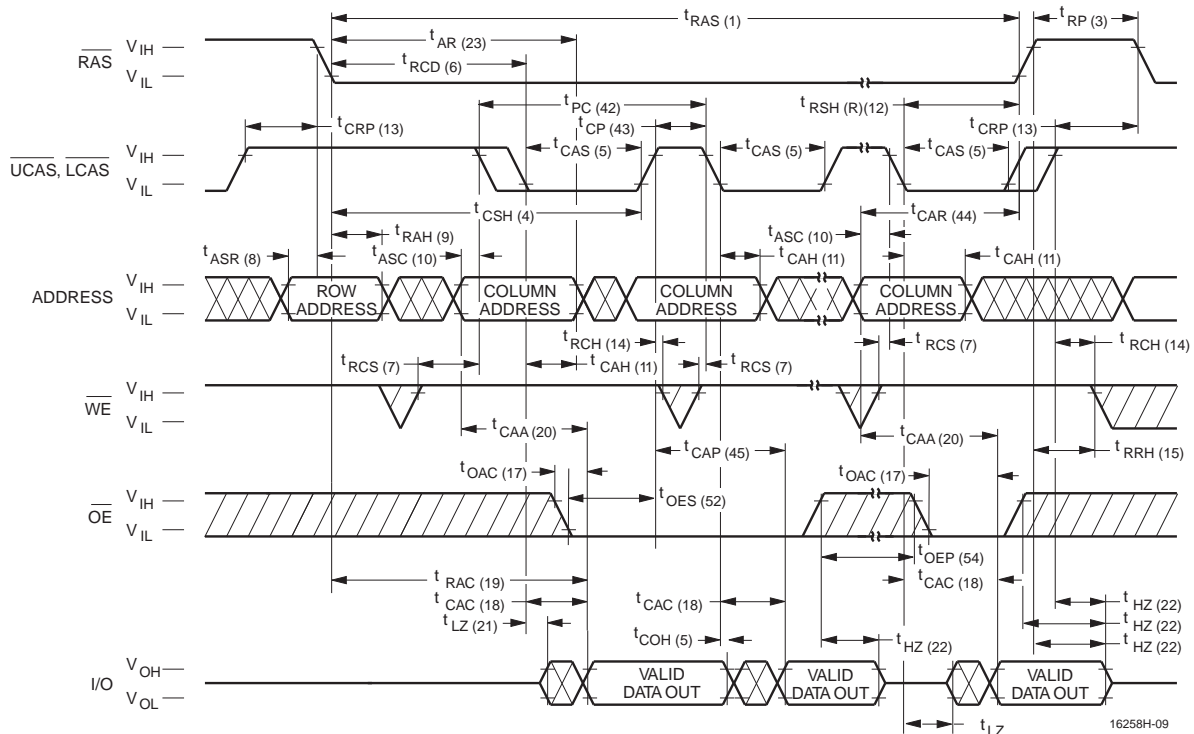


Waveforms of Read-Modify-Write Cycle

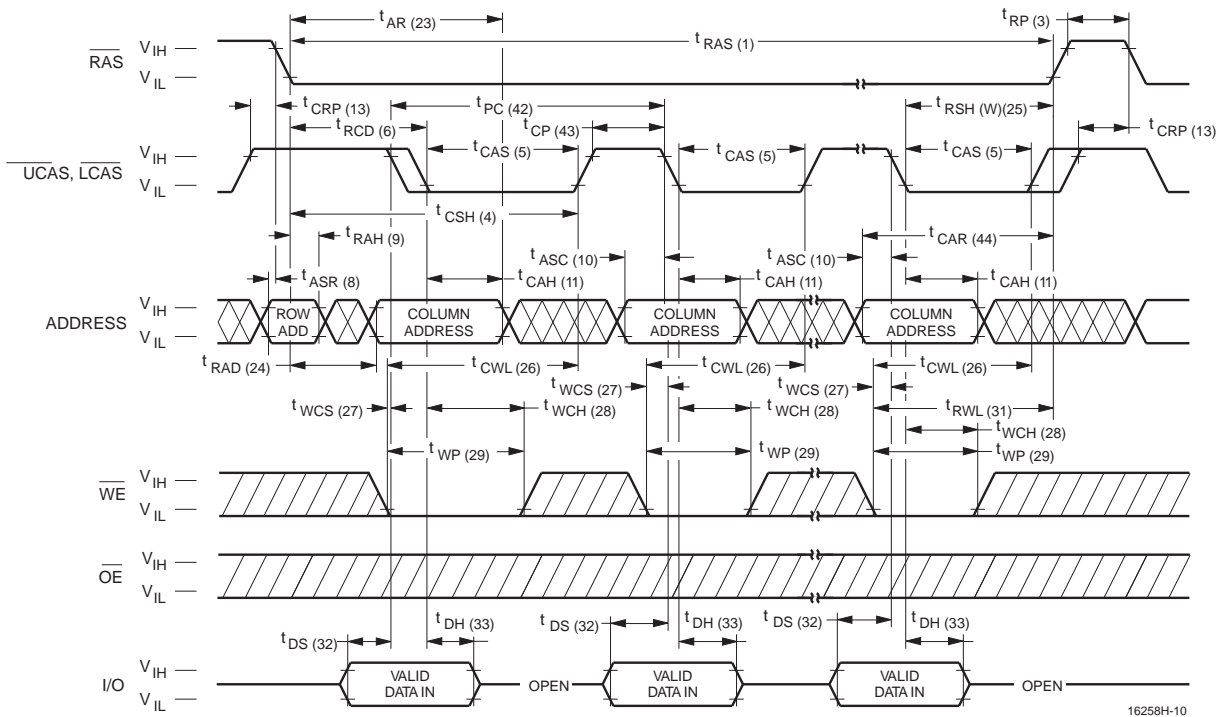


 Don't Care  Undefined

Waveforms of EDO Page Mode Read Cycle

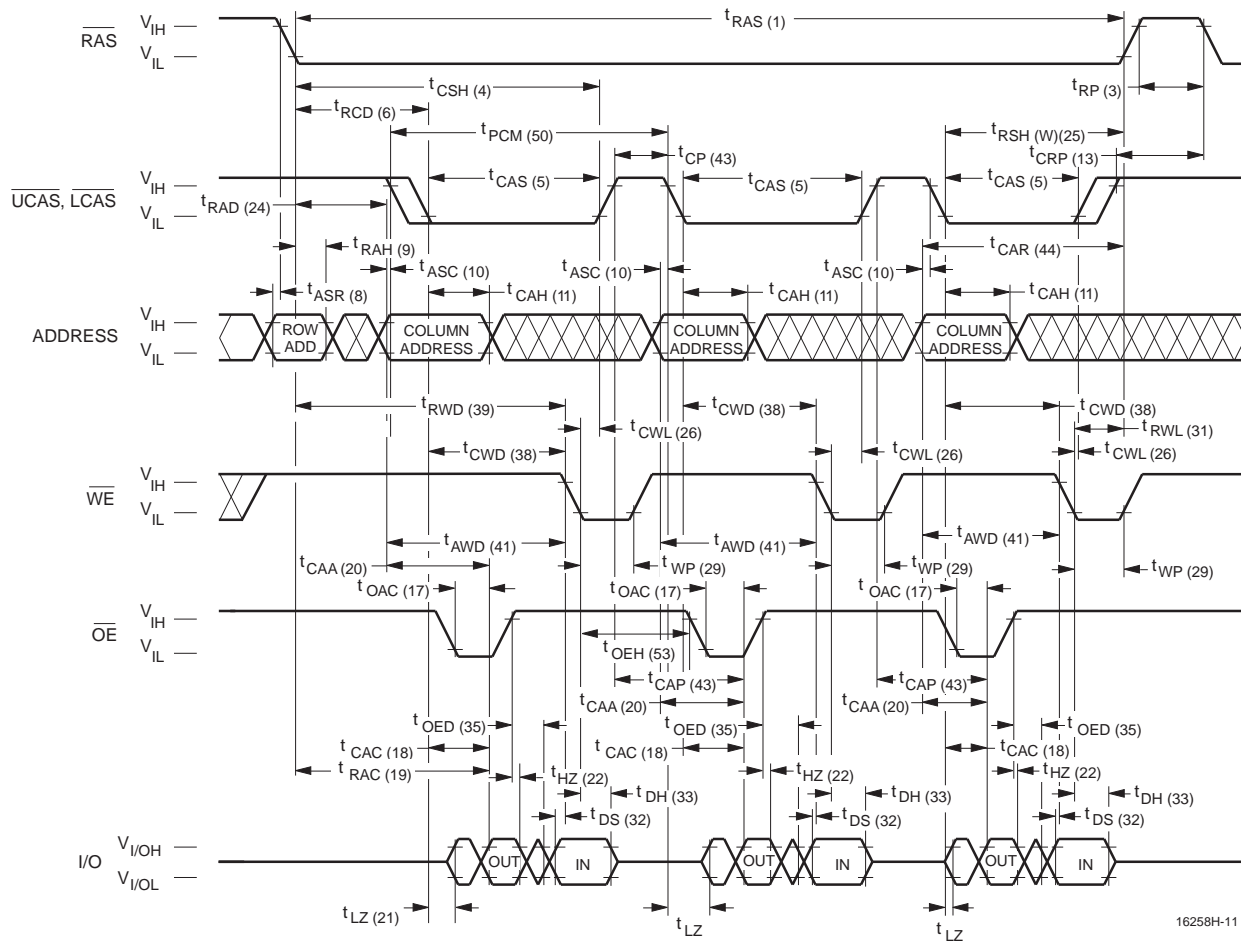


Waveforms of EDO Page Mode Write Cycle

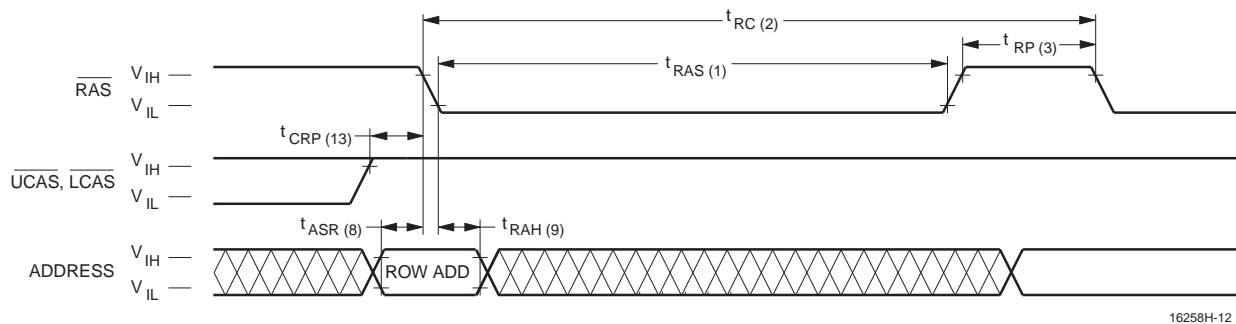


Don't Care Undefined

**Waveforms of EDO Page Mode Read-Write Cycle**



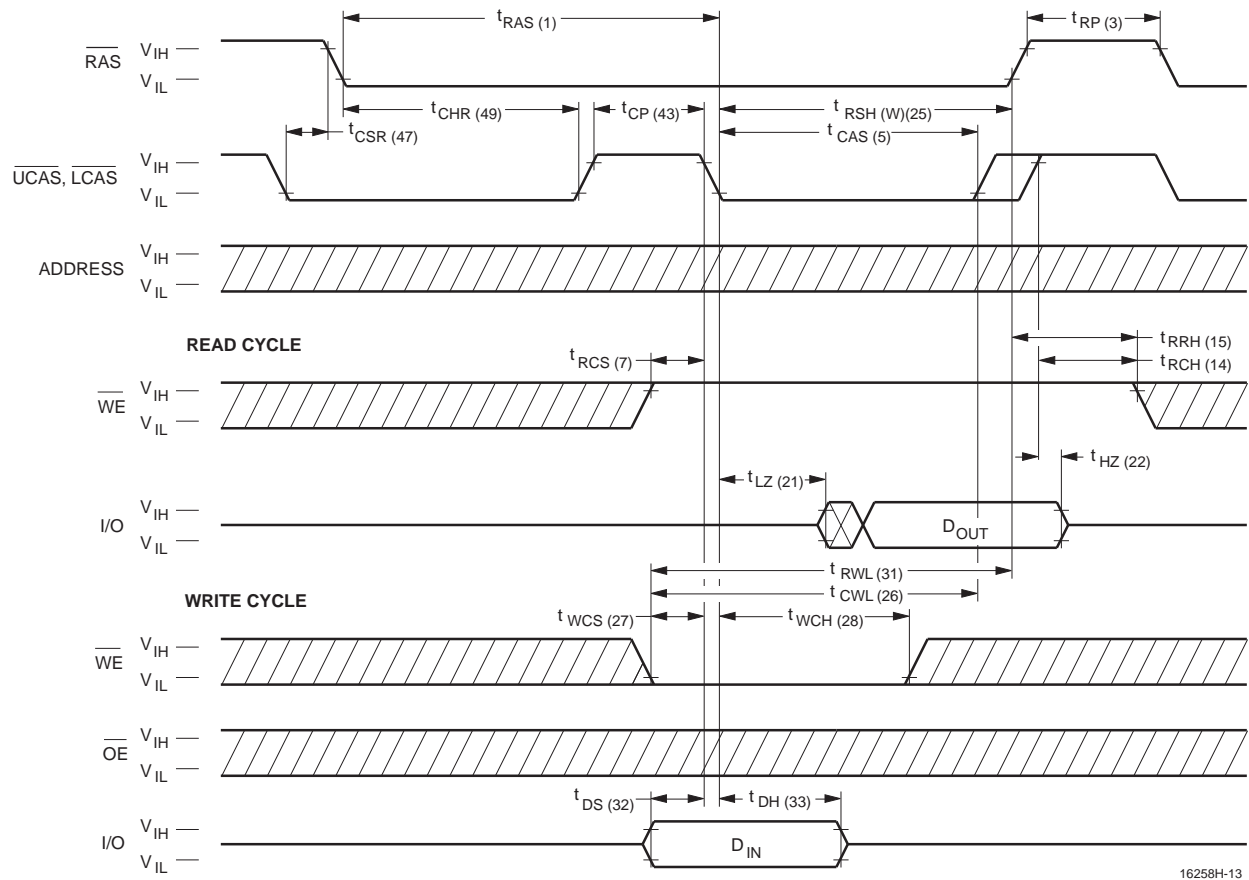
**Waveforms of RAS-Only Refresh Cycle**



NOTE:  $\overline{WE}$ ,  $\overline{OE}$  = Don't care

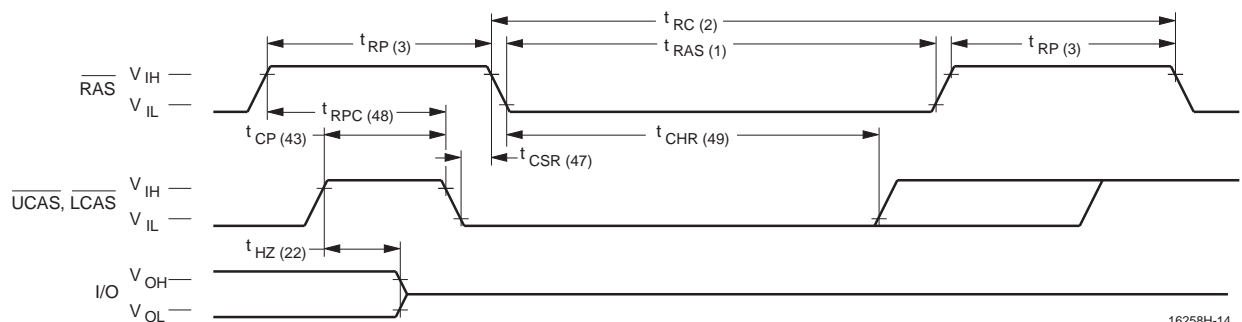


**Waveforms of  $\overline{\text{CAS}}$ -before- $\overline{\text{RAS}}$  Refresh Counter Test Cycle**



16258H-13

**Waveforms of  $\overline{\text{CAS}}$ -before- $\overline{\text{RAS}}$  Refresh Cycle**

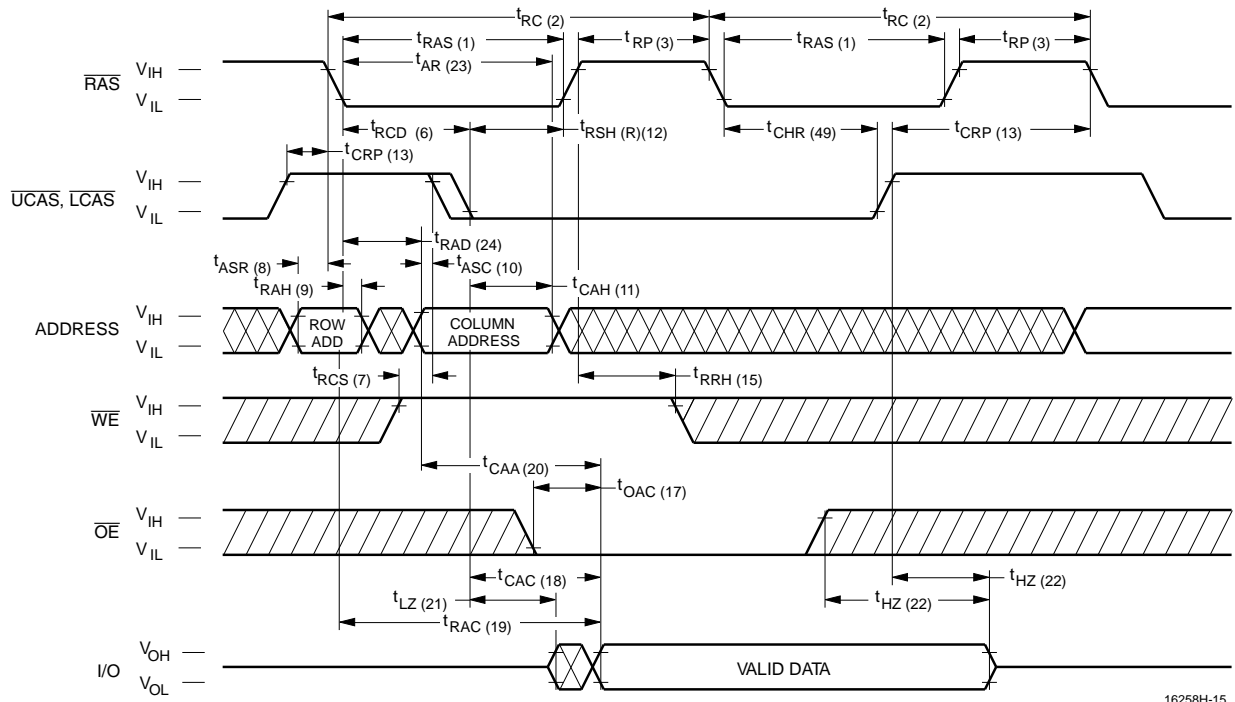


16258H-14

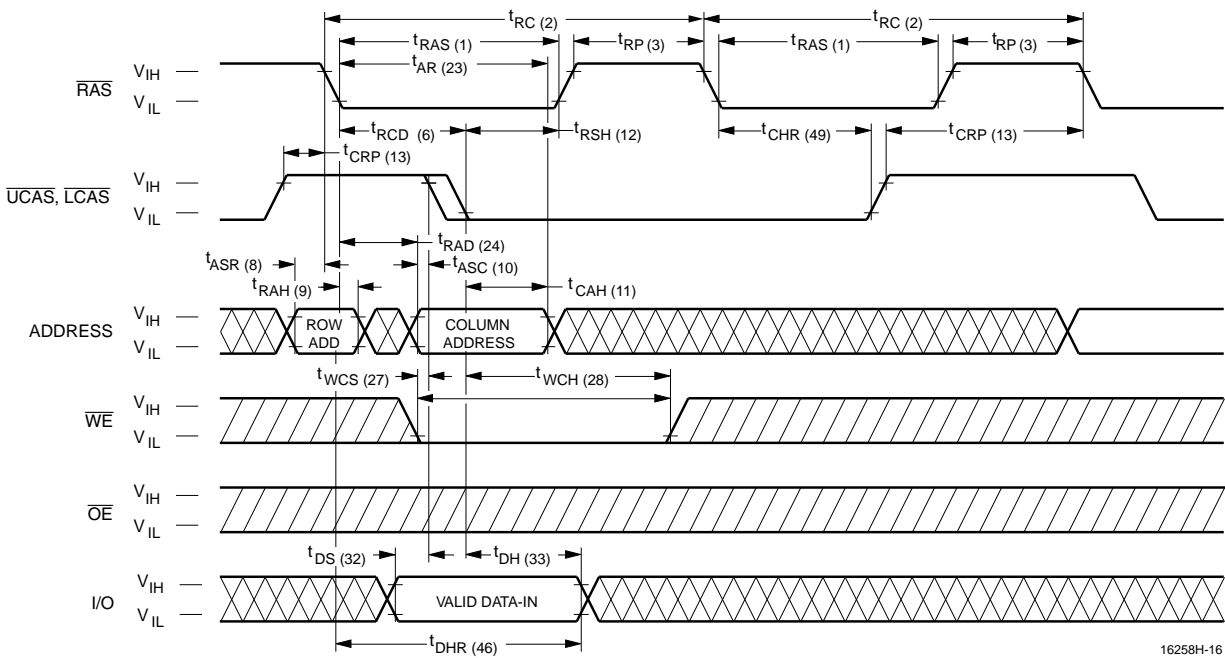
NOTE:  $\overline{\text{WE}}$ ,  $\overline{\text{OE}}$ ,  $A_0$ - $A_8$  = Don't care



**Waveforms of Hidden Refresh Cycle (Read)**

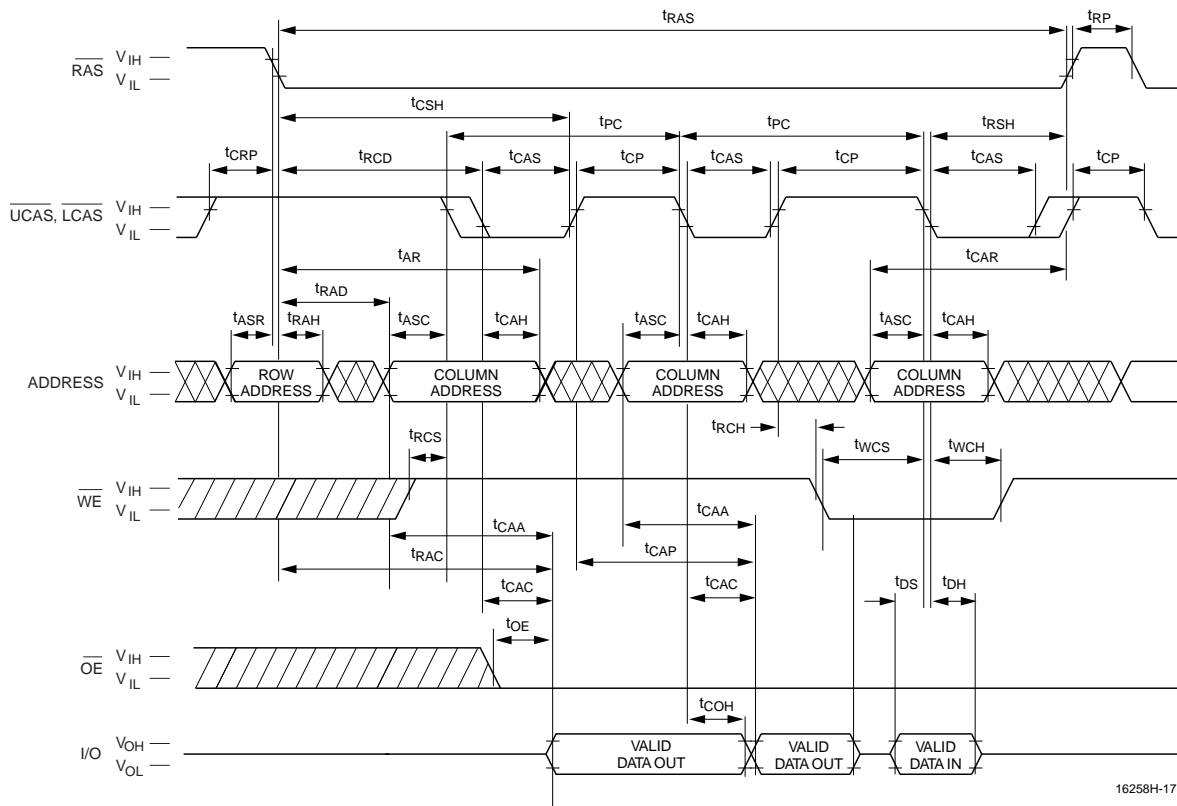


**Waveforms of Hidden Refresh Cycle (Write)**



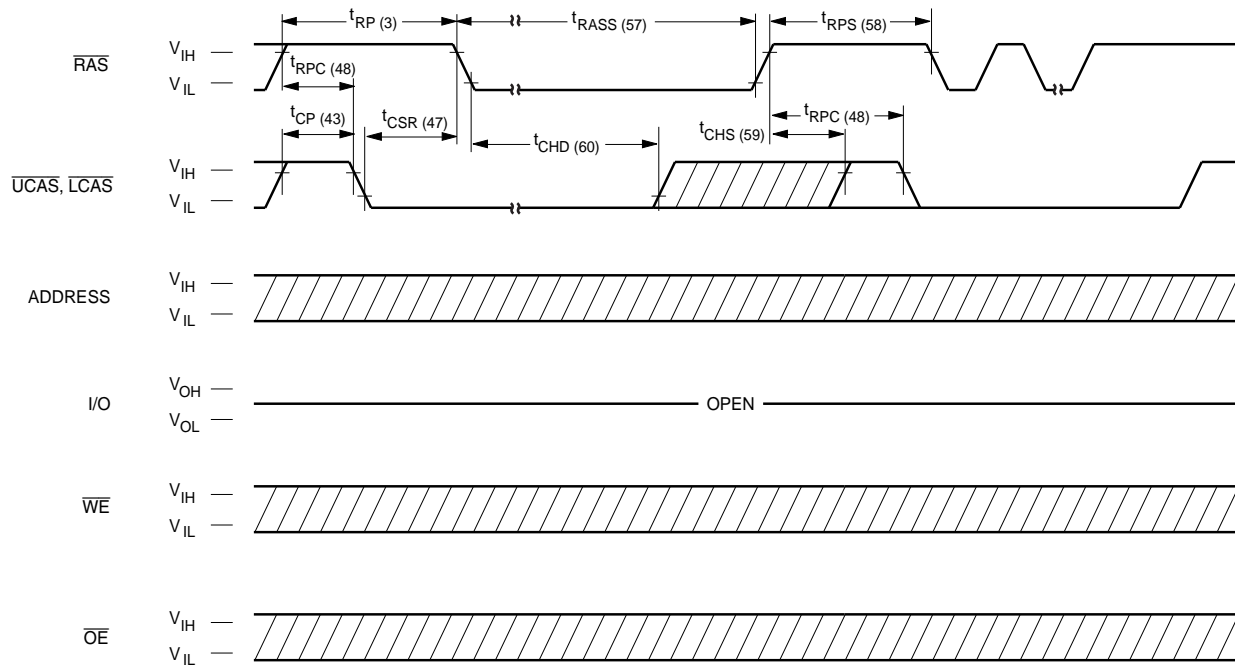
Don't Care Undefined

**Waveforms of EDO-Page-Mode Read-Early-Write Cycle (Pseudo Read-Modify-Write)**



16258H-17

**Waveforms of Self Refresh Cycle**



16258L 05

Don't Care Undefined

### Functional Description

The V53C16258H is a CMOS dynamic RAM optimized for high data bandwidth, low power applications. It is functionally similar to a traditional dynamic RAM. The V53C16258H reads and writes data by multiplexing an 18-bit address into a 9-bit row and a 9-bit column address. The row address is latched by the Row Address Strobe (RAS). The column address “flows through” an internal address buffer and is latched by the Column Address Strobe (CAS). Because access time is primarily dependent on a valid column address rather than the precise time that the  $\overline{\text{CAS}}$  edge occurs, the delay time from RAS to CAS has little effect on the access time.

### Memory Cycle

A memory cycle is initiated by bringing  $\overline{\text{RAS}}$  low. Any memory cycle, once initiated, must not be ended or aborted before the minimum  $t_{\text{RAS}}$  time has expired. This ensures proper device operation and data integrity. A new cycle must not be initiated until the minimum precharge time  $t_{\text{RP}}/t_{\text{CP}}$  has elapsed.

### Read Cycle

A Read cycle is performed by holding the Write Enable ( $\overline{\text{WE}}$ ) signal High during a  $\overline{\text{RAS}}/\overline{\text{CAS}}$  operation. The column address must be held for a minimum specified by  $t_{\text{AR}}$ . Data Out becomes valid only when  $t_{\text{OAC}}$ ,  $t_{\text{RAC}}$ ,  $t_{\text{CAA}}$  and  $t_{\text{CAC}}$  are all satisfied. As a result, the access time is dependent on the timing relationships between these parameters. For example, the access time is limited by  $t_{\text{CAA}}$  when  $t_{\text{RAC}}$ ,  $t_{\text{CAC}}$  and  $t_{\text{OAC}}$  are all satisfied.

### Write Cycle

A Write Cycle is performed by taking  $\overline{\text{WE}}$  and  $\overline{\text{CAS}}$  low during a  $\overline{\text{RAS}}$  operation. The column address is latched by  $\overline{\text{CAS}}$ . The Write Cycle can be  $\overline{\text{WE}}$  controlled or  $\overline{\text{CAS}}$  controlled depending on whether  $\overline{\text{WE}}$  or  $\overline{\text{CAS}}$  falls later. Consequently, the input data must be valid at or before the falling edge of  $\overline{\text{WE}}$  or  $\overline{\text{CAS}}$ , whichever occurs last. In the  $\overline{\text{CAS}}$ -controlled Write Cycle, when the leading edge of  $\overline{\text{WE}}$  occurs prior to the  $\overline{\text{CAS}}$  low transition, the I/O data pins will be in the High-Z state at the beginning of the Write function. Ending the Write with RAS or  $\overline{\text{CAS}}$  will maintain the output in the High-Z state.

In the  $\overline{\text{WE}}$  controlled Write Cycle,  $\overline{\text{OE}}$  must be in the high state and  $t_{\text{OED}}$  must be satisfied.

### Extended Data Output Page Mode

EDO Page operation permits all 512 columns within a selected row of the device to be randomly accessed at a high data rate. Maintaining  $\overline{\text{RAS}}$  low while performing successive  $\overline{\text{CAS}}$  cycles retains the row address internally and eliminates the need to reapply it for each cycle. The column address buffer acts as a transparent or flow-through latch while  $\overline{\text{CAS}}$  is high. Thus, access begins from the occurrence of a valid column address rather than from the falling edge of  $\overline{\text{CAS}}$ , eliminating  $t_{\text{ASC}}$  and  $t_{\text{T}}$  from the critical timing path.  $\overline{\text{CAS}}$  latches the address into the column address buffer. During EDO operation, Read, Write, Read-Modify-Write or Read-Write-Read cycles are possible at random addresses within a row. Following the initial entry cycle into Hyper Page Mode, access is  $t_{\text{CAA}}$  or  $t_{\text{CAP}}$  controlled. If the column address is valid prior to the rising edge of  $\overline{\text{CAS}}$ , the access time is referenced to the  $\overline{\text{CAS}}$  rising edge and is specified by  $t_{\text{CAP}}$ . If the column address is valid after the rising  $\overline{\text{CAS}}$  edge, access is timed from the occurrence of a valid address and is specified by  $t_{\text{CAA}}$ . In both cases, the falling edge of  $\overline{\text{CAS}}$  latches the address and enables the output.

EDO provides a sustained data rate of 83 MHz for applications that require high bandwidth such as bit-mapped graphics or high-speed signal processing. The following equation can be used to calculate the maximum data rate:

$$\text{Data Rate} = \frac{512}{t_{\text{RC}} + 511 \times t_{\text{PC}}}$$

### Self Refresh

Self Refresh mode provides internal refresh control signals to the DRAM during extended periods of inactivity. Device operation in this mode provides additional power savings and design ease by elimination of external refresh control signals. Self Refresh mode is initiated with a  $\overline{\text{CAS}}$  before  $\overline{\text{RAS}}$  (CBR) Refresh cycle, holding both  $\overline{\text{RAS}}$  low ( $t_{\text{RASS}}$ ) and  $\overline{\text{CAS}}$  low ( $t_{\text{CHD}}$ ) for a specified period. Both of these parameters are specified with minimum values to guarantee entry into Self Refresh operation. Once the device has been placed in to Self Refresh mode the  $\overline{\text{CAS}}$  clock is no longer required to maintain Self Refresh operation.



The Self Refresh mode is terminated by returning the RAS clock to a high level for a specified ( $t_{RPS}$ ) minimum time. After termination of the Self Refresh cycle normal accesses to the device may be initiated immediately, providing that subsequent refresh cycles utilize the CAS before RAS (CBR) mode of operation.

### Data Output Operation

The V53C16258H Input/Output is controlled by OE, CAS, WE and RAS. A RAS low transition enables the transfer of data to and from the selected row address in the Memory Array. A RAS high transition disables data transfer and latches the output data if the output is enabled. After a memory cycle is initiated with a RAS low transition, a CAS low transition or CAS low level enables the internal I/O path. A CAS high transition or a CAS high level disables the I/O path and the output driver if it is enabled. A CAS low transition while RAS is high has no effect on the I/O data path or on the output drivers. The output drivers, when otherwise enabled, can be disabled by holding OE high. The OE signal has no effect on any data stored in the output latches. A WE low level can also disable the output drivers when CAS is low. During a Write cycle, if WE goes low at a time in relationship to CAS that would normally cause the outputs to be active, it is necessary to use OE to disable the output drivers prior to the WE low transition to allow Data In Setup Time ( $t_{DS}$ ) to be satisfied.

### Power-On

After application of the  $V_{CC}$  supply, an initial pause of 200  $\mu$ s is required followed by a minimum of 8 initialization cycles (any combination of cycles containing a RAS clock). Eight initialization cycles are required after extended periods of bias without clocks (greater than the Refresh Interval).

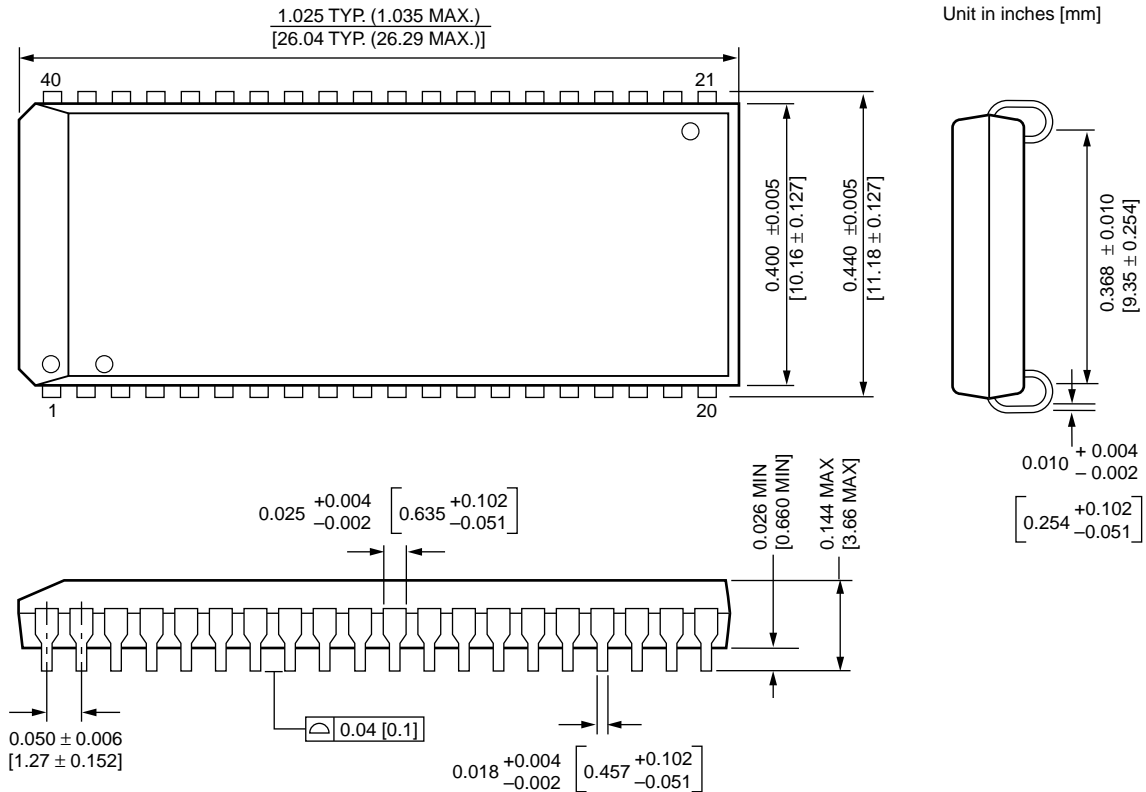
During Power-On, the  $V_{CC}$  current requirement of the V53C16258H is dependent on the input levels of RAS and CAS. If RAS is low during Power-On, the device will go into an active cycle and  $I_{CC}$  will exhibit current transients. It is recommended that RAS and CAS track with  $V_{CC}$  or be held at a valid  $V_{IH}$  during Power-On to avoid current surges.

**Table 1. V53C16258H Data Output Operation for Various Cycle Types**

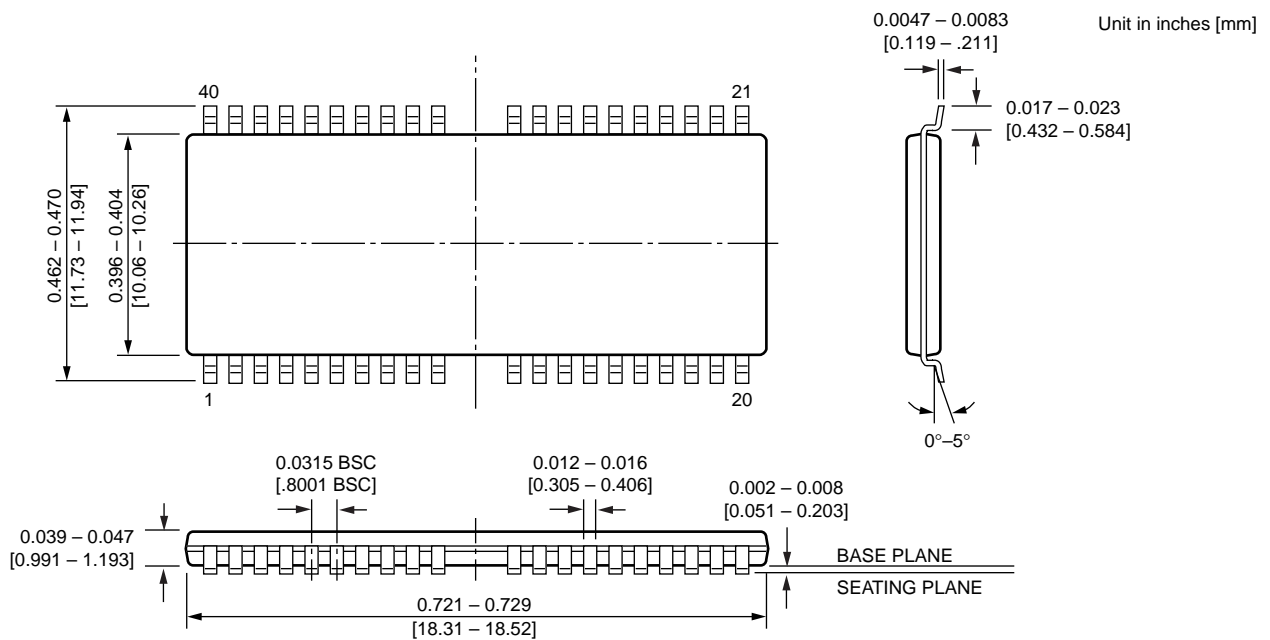
Cycle Type	I/O State
Read Cycles	Data from Addressed Memory Cell
$\overline{\text{CAS}}$ -Controlled Write Cycle (Early Write)	High-Z
$\overline{\text{WE}}$ -Controlled Write Cycle (Late Write)	$\overline{\text{OE}}$ Controlled. High $\overline{\text{OE}}$ = High-Z I/Os
Read-Modify-Write Cycles	Data from Addressed Memory Cell
EDO Read Cycle	Data from Addressed Memory Cell
EDO Write Cycle (Early Write)	High-Z
EDO Read-Modify-Write Cycle	Data from Addressed Memory Cell
$\overline{\text{RAS}}$ -only Refresh	High-Z
$\overline{\text{CAS}}$ -before- $\overline{\text{RAS}}$ Refresh Cycle	Data remains as in previous cycle
$\overline{\text{CAS}}$ -only Cycles	High-Z

Package Outlines

40-Pin Plastic SOJ



40/44L-Pin TSOP-II



**Notes**

**U.S.A.**

3910 NORTH FIRST STREET  
SAN JOSE, CA 95134  
PHONE: 408-433-6000  
FAX: 408-433-0952

**HONG KONG**

19 DAI FU STREET  
TAIPO INDUSTRIAL ESTATE  
TAIPO, NT, HONG KONG  
PHONE: 852-2666-3307  
FAX: 852-2770-8011

**TAIWAN**

7F, NO. 102  
MIN-CHUAN E. ROAD, SEC. 3  
TAIPEI  
PHONE: 886-2-2545-1213  
FAX: 886-2-2545-1209

NO 19 LI HSIN RD.  
SCIENCE BASED IND. PARK  
HSIN CHU, TAIWAN, R.O.C.  
PHONE: 886-3-579-5888  
FAX: 886-3-566-5888

**SINGAPORE**

10 ANSON ROAD #23-13  
INTERNATIONAL PLAZA  
SINGAPORE 079903  
PHONE: 65-3231801  
FAX: 65-3237013

**JAPAN**

WBG MARIVE WEST 25F  
6, NAKASE 2-CHOME  
MIHAMA-KU, CHIBA-SHI  
CHIBA 261-7125  
PHONE: 81-43-299-6000  
FAX: 81-43-299-6555

**UK & IRELAND**

SUITE 50, GROVEWOOD  
BUSINESS CENTRE  
STRATHCLYDE BUSINESS  
PARK  
BELLSHILL, LANARKSHIRE,  
SCOTLAND, ML4 3NQ  
PHONE: 01698-748515  
FAX: 01698-748516

**GERMANY  
(CONTINENTAL  
EUROPE & ISRAEL)**

71083 HERRENBERG  
BENZSTR. 32  
GERMANY  
PHONE: +49 7032 2796-0  
FAX: +49 7032 2796 22

**U.S. SALES OFFICES****NORTHWESTERN**

3910 NORTH FIRST STREET  
SAN JOSE, CA 95134  
PHONE: 408-433-6000  
FAX: 408-433-0952

**NORTHEASTERN**

SUITE 436  
20 TRAFALGAR SQUARE  
NASHUA, NH 03063  
PHONE: 603-889-4393  
FAX: 603-889-9347

**SOUTHWESTERN**

302 N. EL CAMINO REAL #200  
SAN CLEMENTE, CA 92672  
PHONE: 949-361-7873  
FAX: 949-361-7807

**CENTRAL &  
SOUTHEASTERN**

604 FIELDWOOD CIRCLE  
RICHARDSON, TX 75081  
PHONE: 972-690-1402  
FAX: 972-690-0341

---

The information in this document is subject to change without notice.

MOSEL VITELIC makes no commitment to update or keep current the information contained in this document. No part of this document may be copied or reproduced in any form or by any means without the prior written consent of MOSEL-VITELIC.

MOSEL VITELIC subjects its products to normal quality control sampling techniques which are intended to provide an assurance of high quality products suitable for usual commercial applications. MOSEL VITELIC does not do testing appropriate to provide 100% product quality assurance and does not assume any liability for consequential or incidental arising from any use of its products. If such products are to be used in applications in which personal injury might occur from failure, purchaser must do its own quality assurance testing appropriate to such applications.